



US00D555776S

(12) **United States Design Patent**
Chiu

(10) **Patent No.:** **US D555,776 S**

(45) **Date of Patent:** **** Nov. 20, 2007**

(54) **AIR CLEANER**

(75) Inventor: **Ming-Tsung Chiu**, Taipei Hsien (TW)

(73) Assignee: **New Widetech Industries Co., Ltd.**,
Taipei Hsien (TW)

(**) Term: **14 Years**

(21) Appl. No.: **29/256,723**

(22) Filed: **Mar. 24, 2006**

(51) **LOC (8) Cl.** **28-99**

(52) **U.S. Cl.** **D23/364**

(58) **Field of Classification Search** D23/364,
D23/355, 356, 359, 360, 362, 352, 366, 369,
D23/332, 333, 335, 336, 342, 337, 386, 341;
422/120, 122; 55/356, 473, 504; 210/497.1;
96/97, 222, 63; 95/57; D15/79

See application file for complete search history.

(56) **References Cited**

U.S. PATENT DOCUMENTS

5,601,636 A * 2/1997 Glucksman 96/63
D384,733 S * 10/1997 Jane et al. D23/335
D384,734 S * 10/1997 Ellwood D23/337
D397,430 S * 8/1998 Ediger et al. D23/386
D426,876 S * 6/2000 Rossman et al. D23/341
D445,117 S * 7/2001 Heber et al. D15/79
D483,101 S * 12/2003 Ching D23/335

D499,472 S * 12/2004 Ching D23/332
D516,688 S * 3/2006 Blateri D23/335
D519,194 S * 4/2006 Blateri D23/335
D521,621 S * 5/2006 Slater D23/366
D535,378 S * 1/2007 Caserta et al. D23/366
2004/0025697 A1 * 2/2004 Endo 96/222

* cited by examiner

Primary Examiner—Louis Zarfes

Assistant Examiner—David G. Muller

(74) *Attorney, Agent, or Firm*—Troxell Law Office, PLLC

(57) **CLAIM**

The ornamental design for an air cleaner, as shown and described.

DESCRIPTION

FIG. 1 is a perspective view of an air cleaner showing my new design;

FIG. 2 is a front view thereof;

FIG. 3 is a rear view thereof;

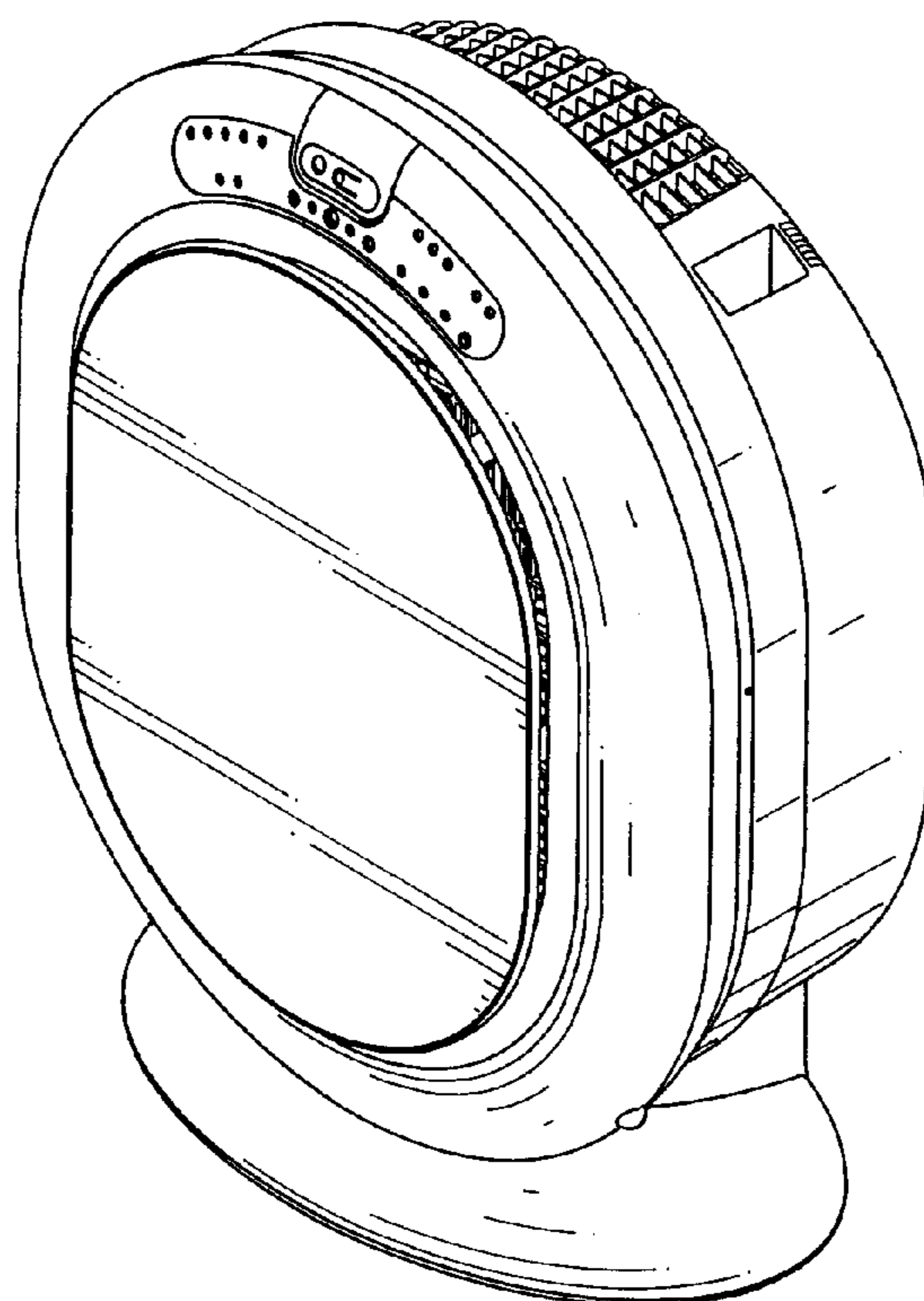
FIG. 4 is a left view thereof;

FIG. 5 is a right view thereof;

FIG. 6 is a top view thereof; and,

FIG. 7 is a bottom view thereof.

1 Claim, 7 Drawing Sheets



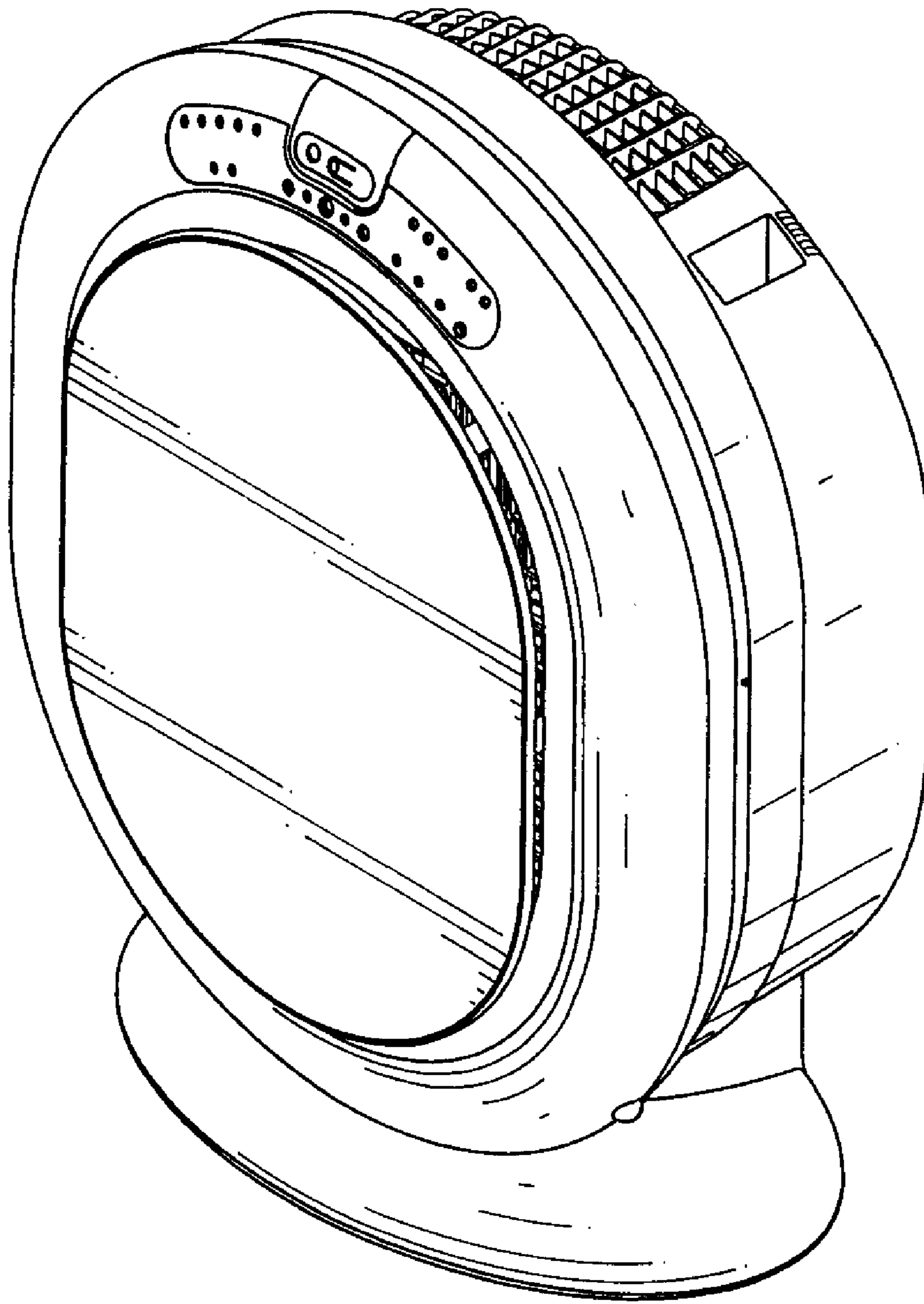


FIG. 1

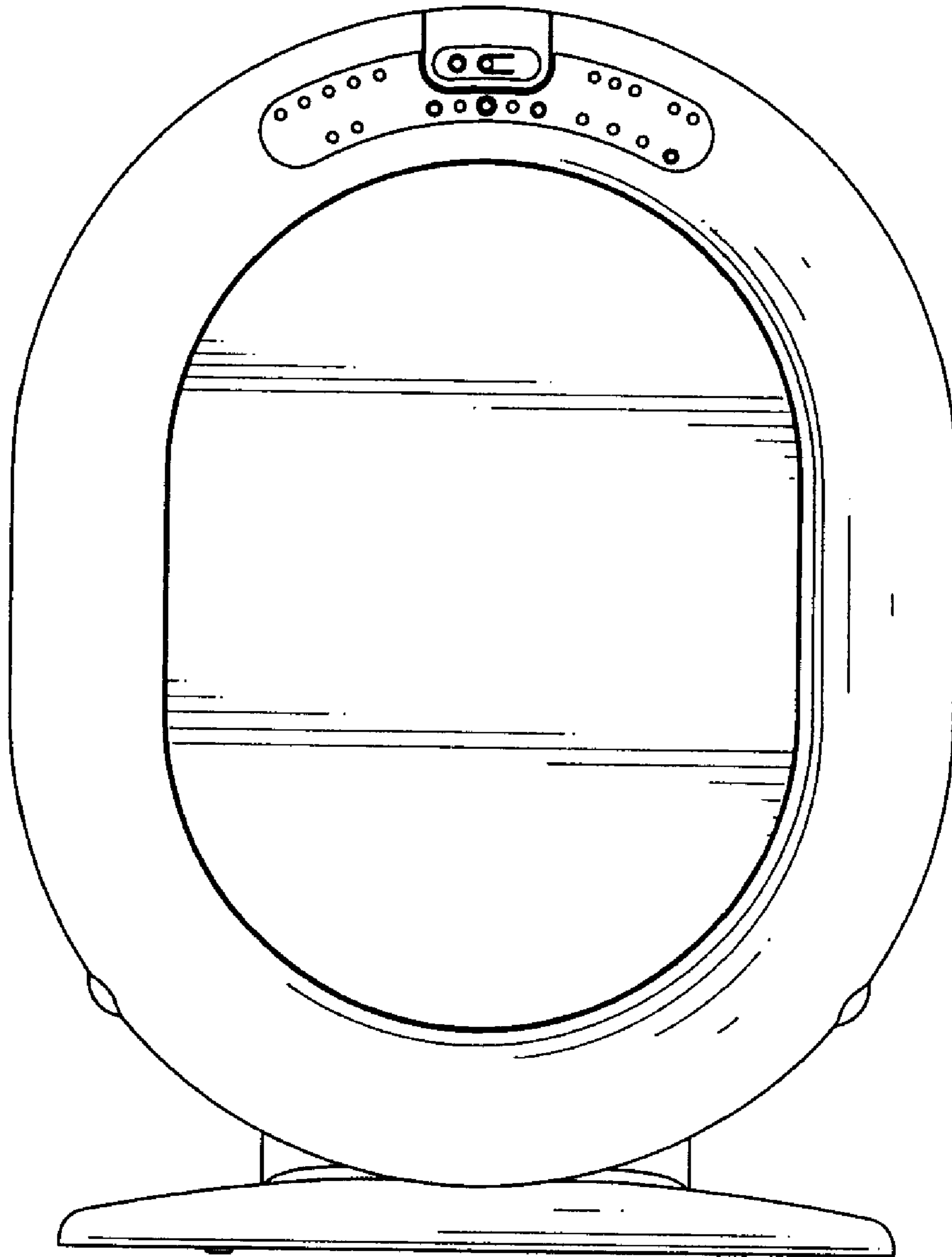


FIG. 2

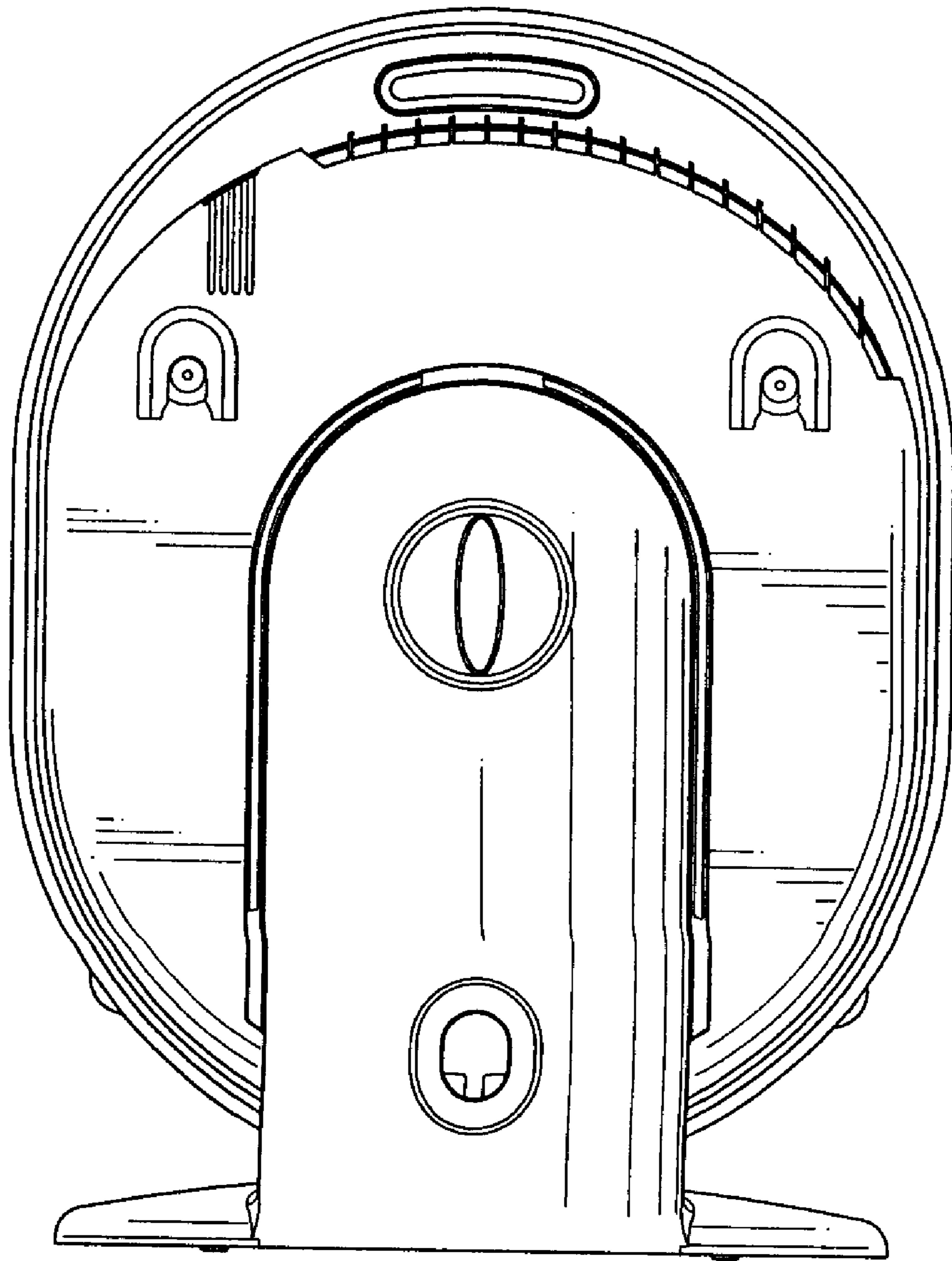


FIG. 3

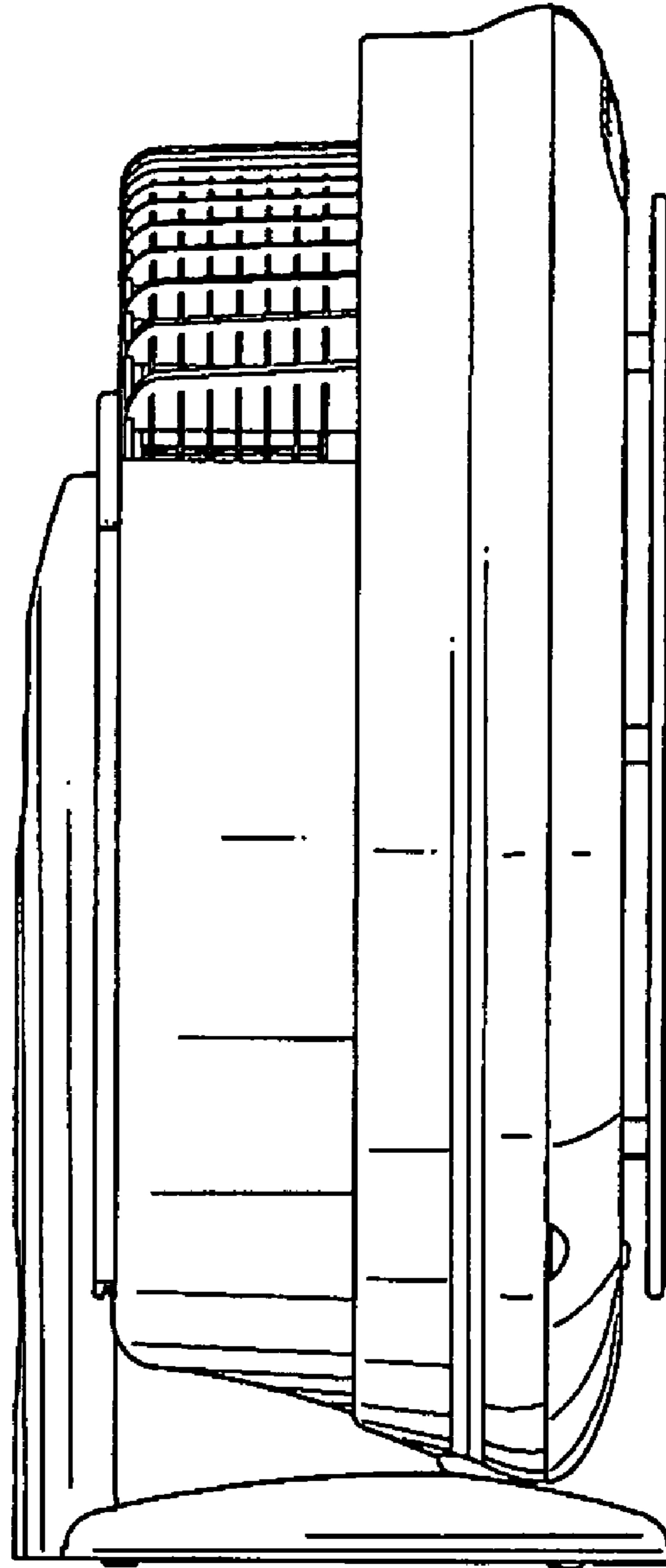


FIG. 4

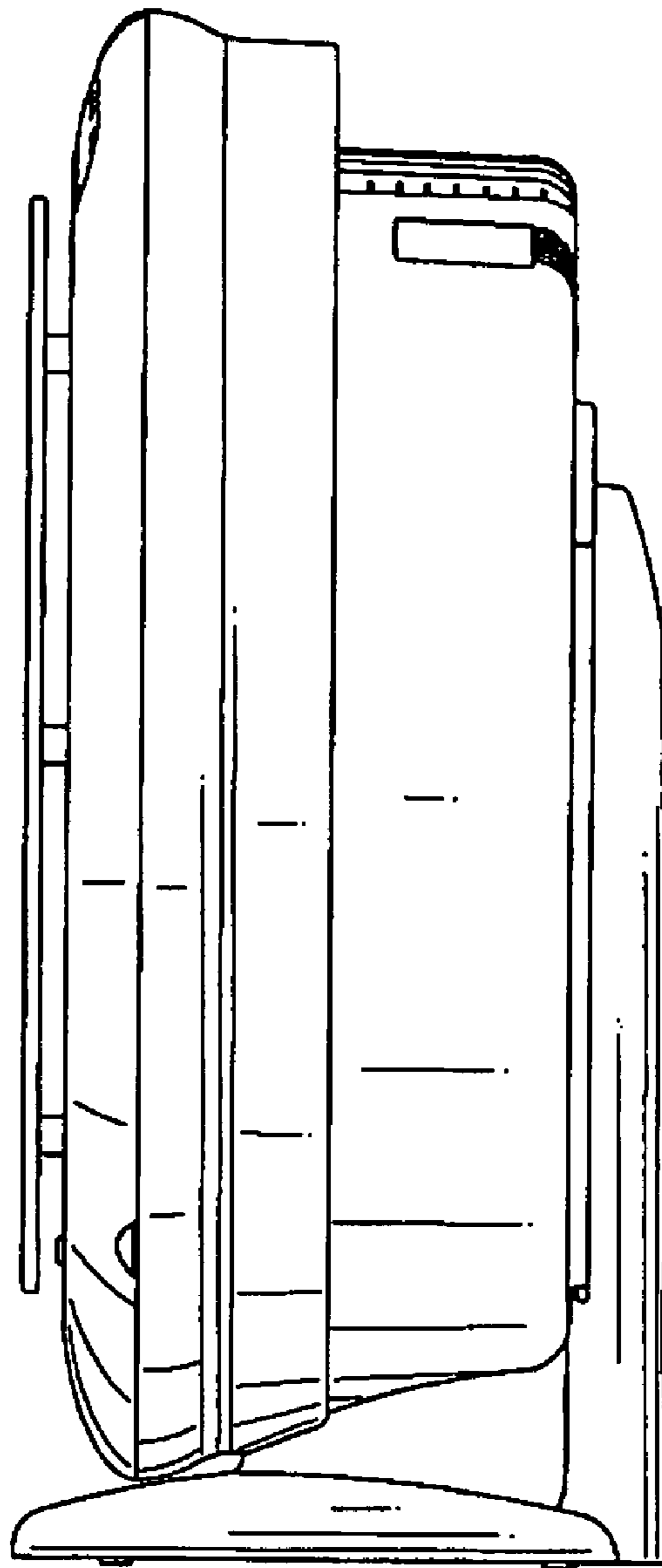


FIG. 5

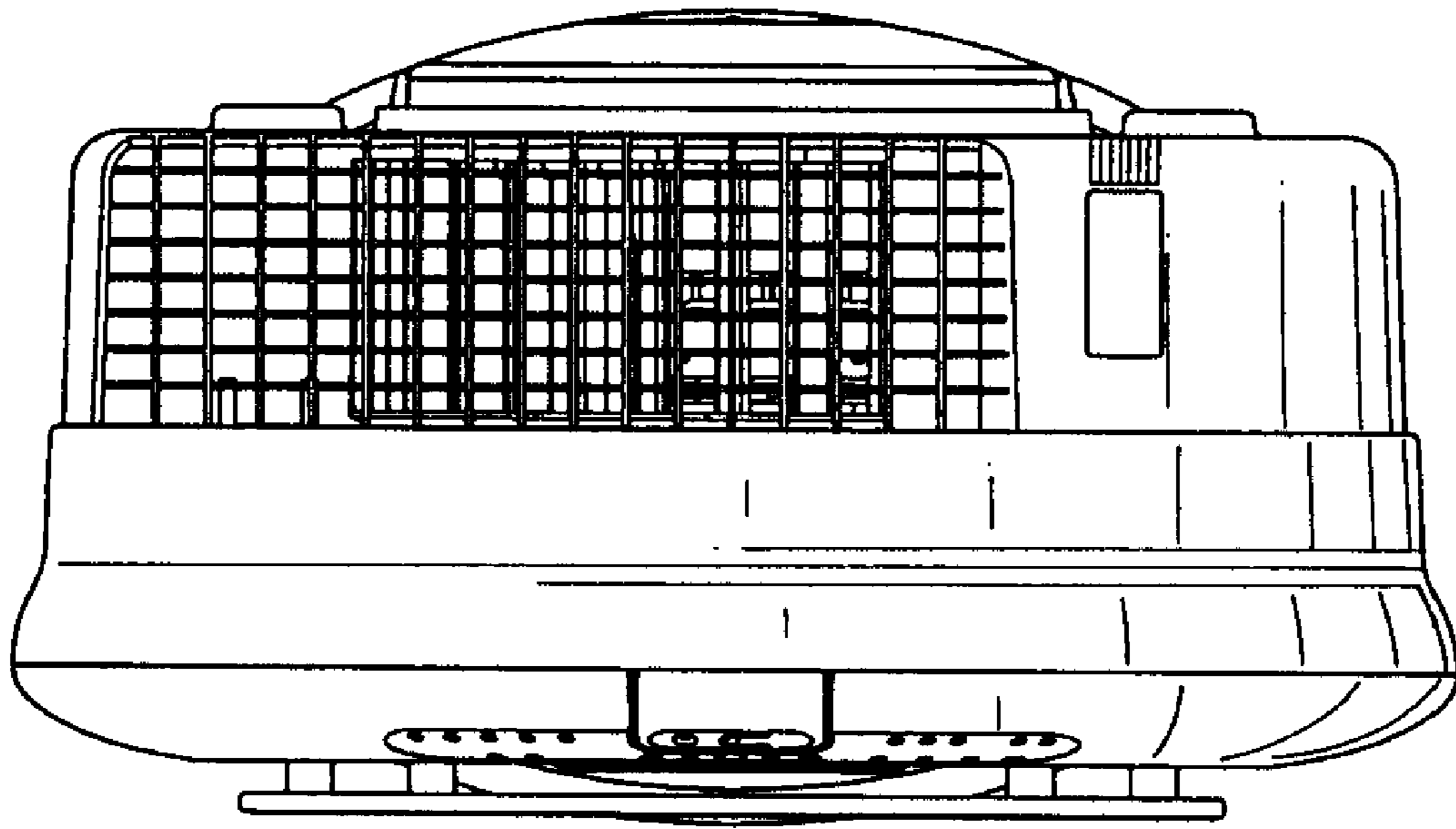


FIG. 6

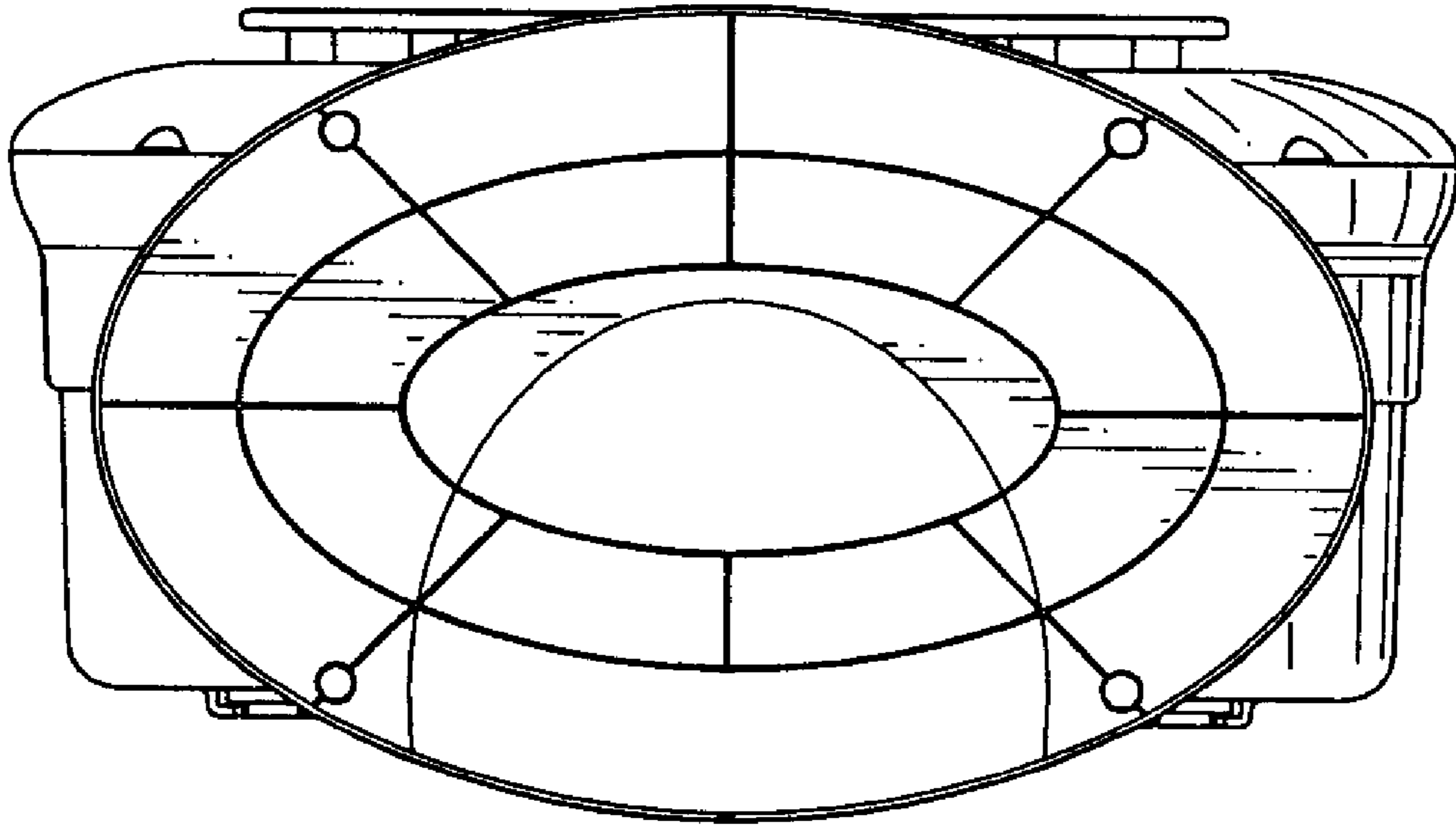


FIG. 7