



US00D555775S

(12) **United States Design Patent** (10) **Patent No.:** **US D555,775 S**
Bonde et al. (45) **Date of Patent:** **** Nov. 20, 2007**

(54) **AIR CLEANER**

(75) Inventors: **Kevin G. Bonde**, Kiel, WI (US);
Jeremy J. Gilles, Malone, WI (US);
William D. Koenigs, Fond du Lac, WI (US);
Terrence M. Rotter, Sheboygan Falls, WI (US)

(73) Assignee: **Kohler Co.**, Kohler, WI (US)

(**) Term: **14 Years**

(21) Appl. No.: **29/240,448**

(22) Filed: **Oct. 14, 2005**

(51) **LOC (8) Cl.** **23-01**

(52) **U.S. Cl.** **D23/364**

(58) **Field of Classification Search** D23/355,

D23/364-5; D15/5; 55/385.3, 471-2

See application file for complete search history.

(56) **References Cited**

U.S. PATENT DOCUMENTS

5,800,581	A	*	9/1998	Gielink et al.	55/385.3
D412,567	S	*	8/1999	Ward et al.	D23/364
D416,317	S	*	11/1999	Bellil et al.	D23/364
6,425,930	B1	*	7/2002	Wake et al.	55/385.3
6,641,636	B2	*	11/2003	Willig et al.	55/385.3
6,814,772	B1	*	11/2004	Wake et al.	55/385.3
7,004,987	B2	*	2/2006	Pikesh et al.	55/347
D520,619	S	*	5/2006	Kuempel et al.	D23/364

OTHER PUBLICATIONS

Mann + Hummel's High Performance Air Cleaner Gives the Mercury Marauder a Boost in Performance; Advanced Materials & Composites News, May, 2002; n539; Monday, May 20, 2002; <http://dialogpro.dialog.com>.
Mahle -[http://www.mahle.com/C1256F7900537A/vwContentByKey/W26QPJLS933STULEN/\\$FILE/Filterprogramm_13.en.pdf](http://www.mahle.com/C1256F7900537A/vwContentByKey/W26QPJLS933STULEN/$FILE/Filterprogramm_13.en.pdf).

Fleetguard OptiAir Technical Bulletin, Air Cleaner Data Sheet and Performance Curve; (c) Fleetguard 2005, TB08/04-2 Rev. 1, Printed in USA; www.fleetguard.com.

http://www.cumminsfiltration.com/pdfs/product_13_lit/americas_13_brochures/air_13_housings.pdf Fleetguard filter housings on pages E111 & E112.

http://www.cumminsfiltration.com/pdfs/product_13_lit/americas_13_brochures/LT32624.pdf OptiAir filter system.

http://www.cumminsfiltration.com/pdfs/product_13_lit/americas_13_brochures/LT32599_13s4.pdf Fleetguard filter housing on page 95 and OptiAir filters on pages 101-126.

<http://www.mann-hummel.com/industrialfilters/upload/doc/HBSKOJhyaql.pdf> includes a section on Europiclone filters.

* cited by examiner

Primary Examiner—Robin Webster

(74) *Attorney, Agent, or Firm*—Whyte Hirschboeck Dudek SC

(57) **CLAIM**

The ornamental design for an air cleaner, as shown and described.

DESCRIPTION

FIG. 1 is a perspective view showing our design for an air cleaner;

FIG. 2 is a front elevation view thereof;

FIG. 3 is a left side elevation view thereof;

FIG. 4 is a right side elevation view thereof;

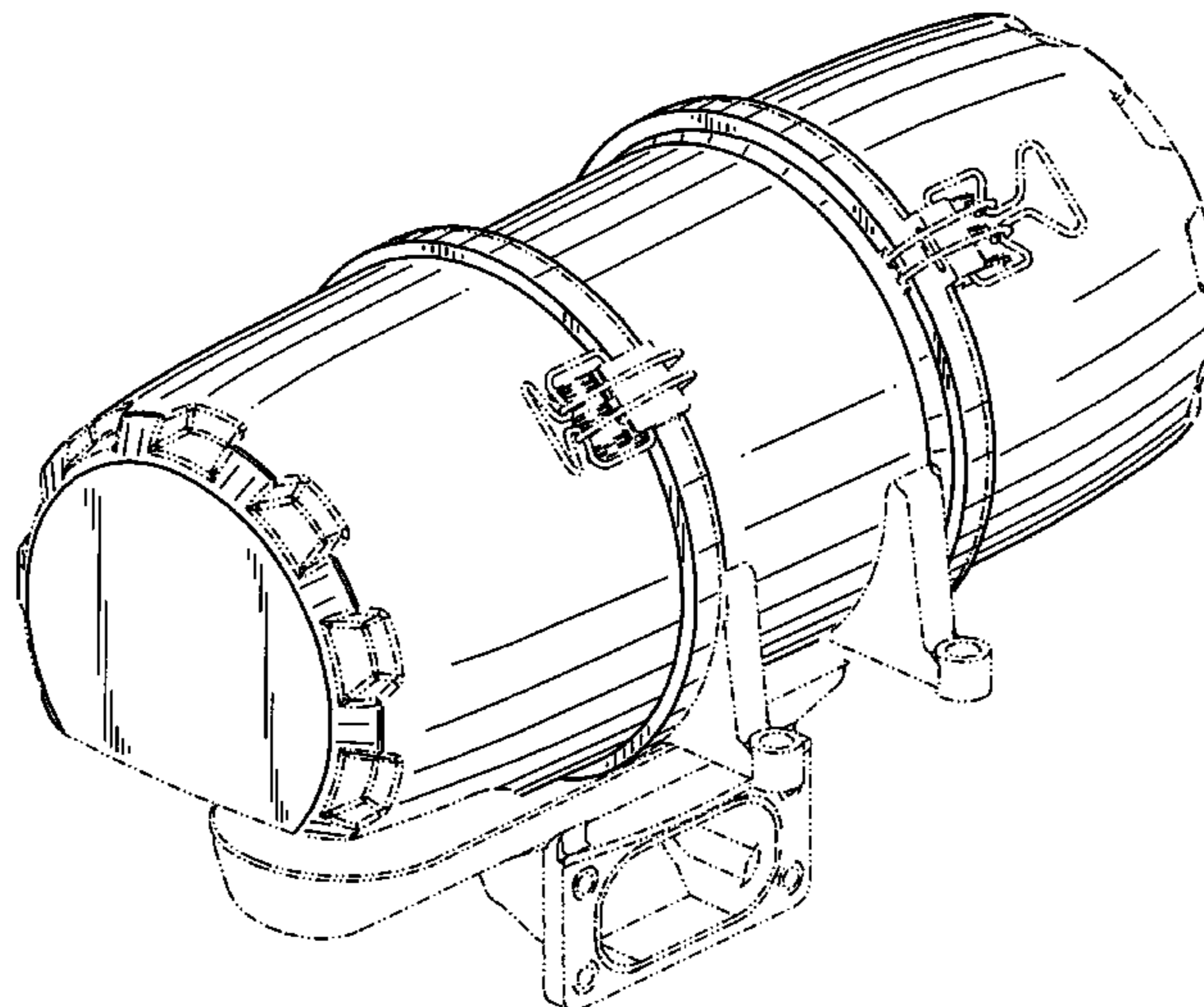
FIG. 5 is a rear elevation view thereof;

FIG. 6 is a top plan view thereof; and,

FIG. 7 is a bottom plan view thereof.

The broken lines shown in the figures are for illustrative environmental purposes only and form no part of the claimed design.

1 Claim, 6 Drawing Sheets



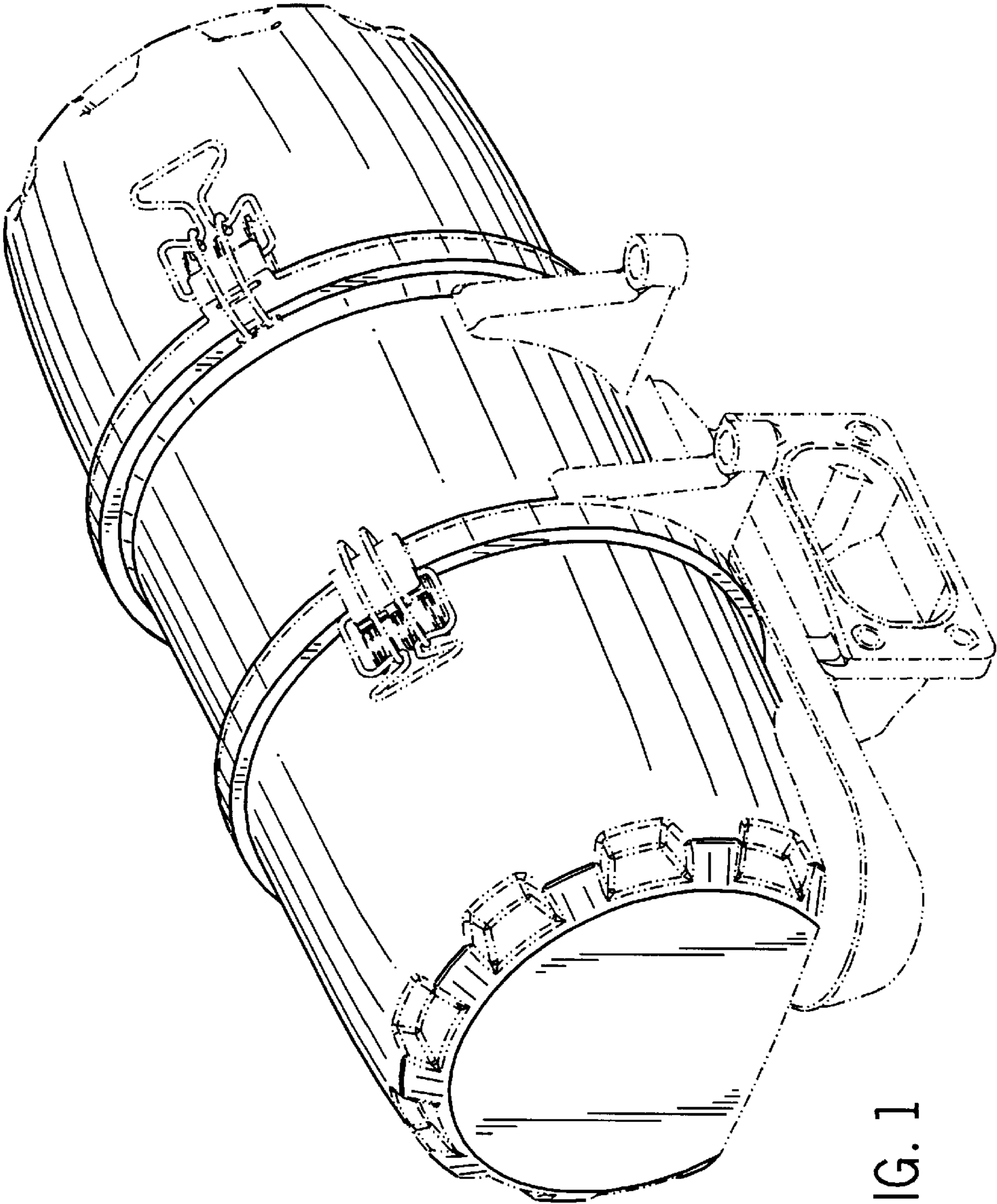


FIG. 1

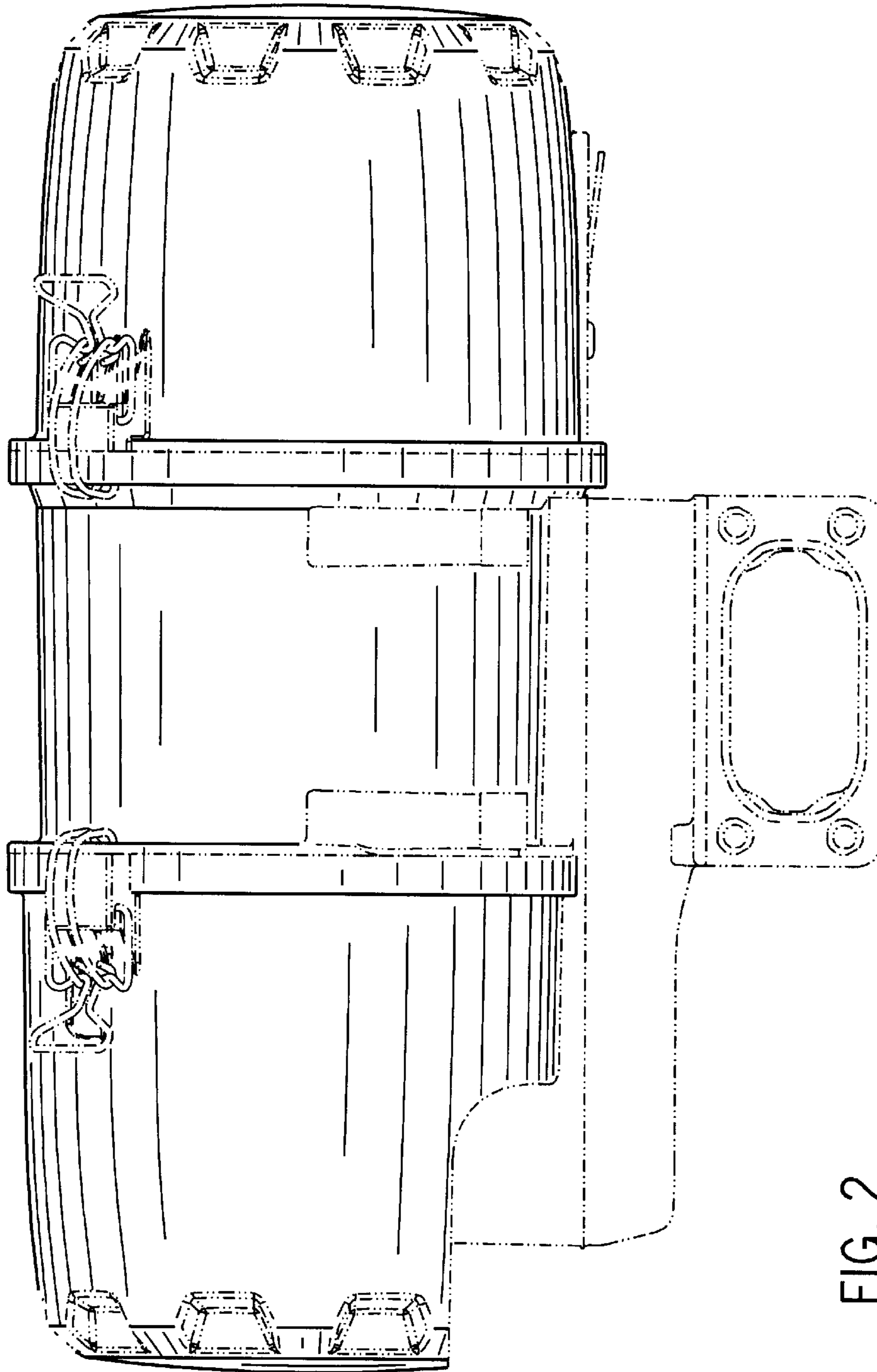


FIG. 2

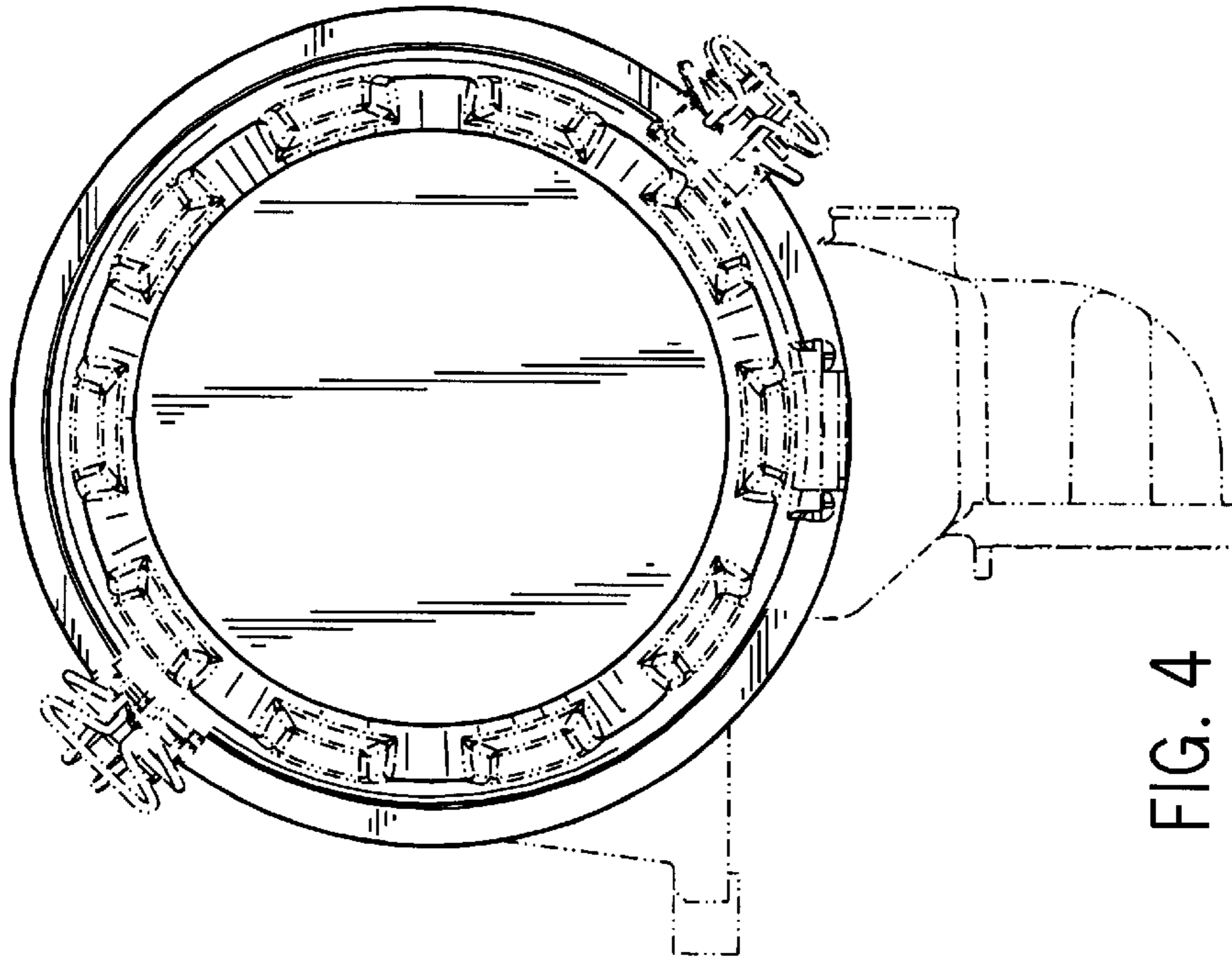


FIG. 4

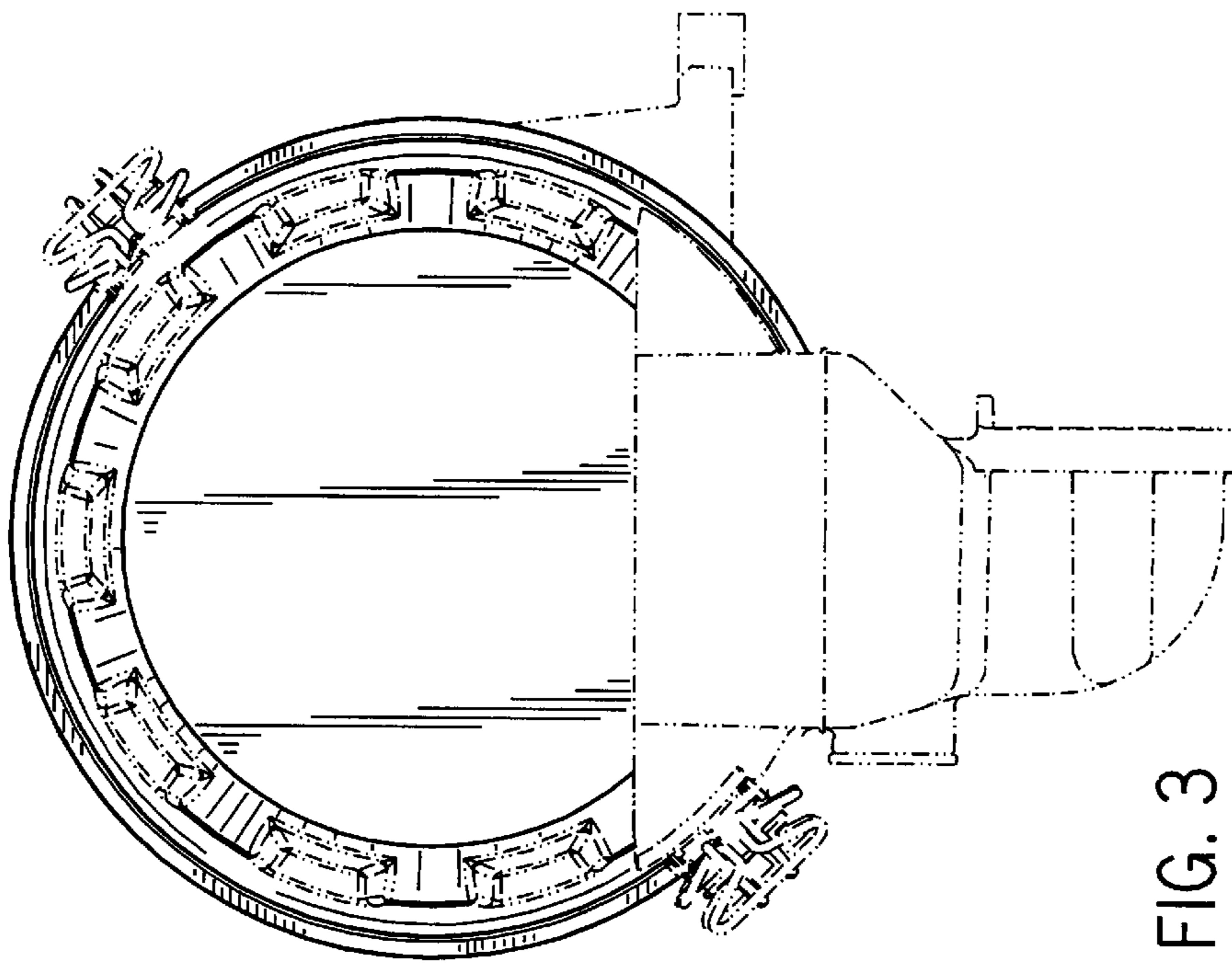


FIG. 3

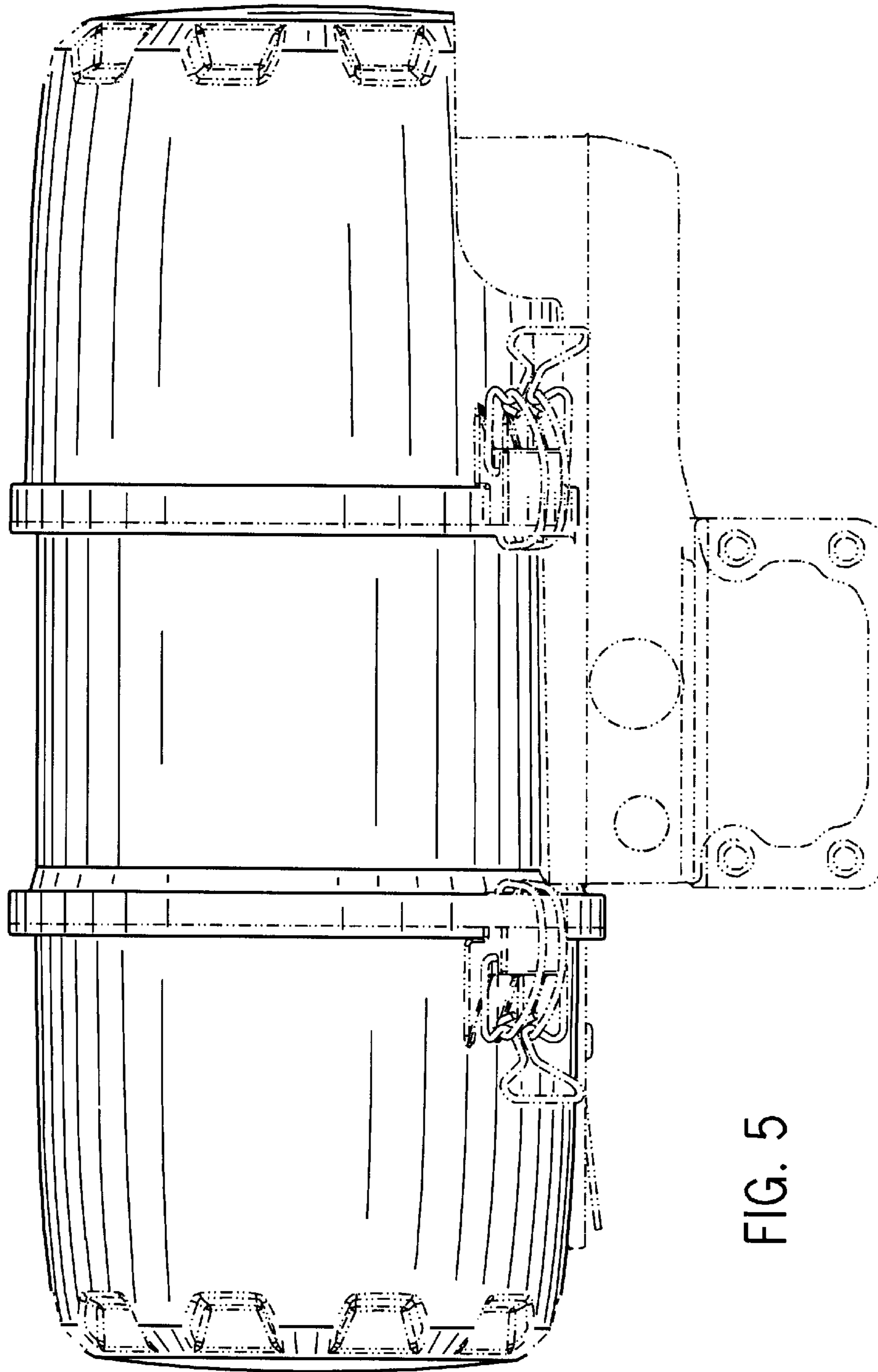


FIG. 5

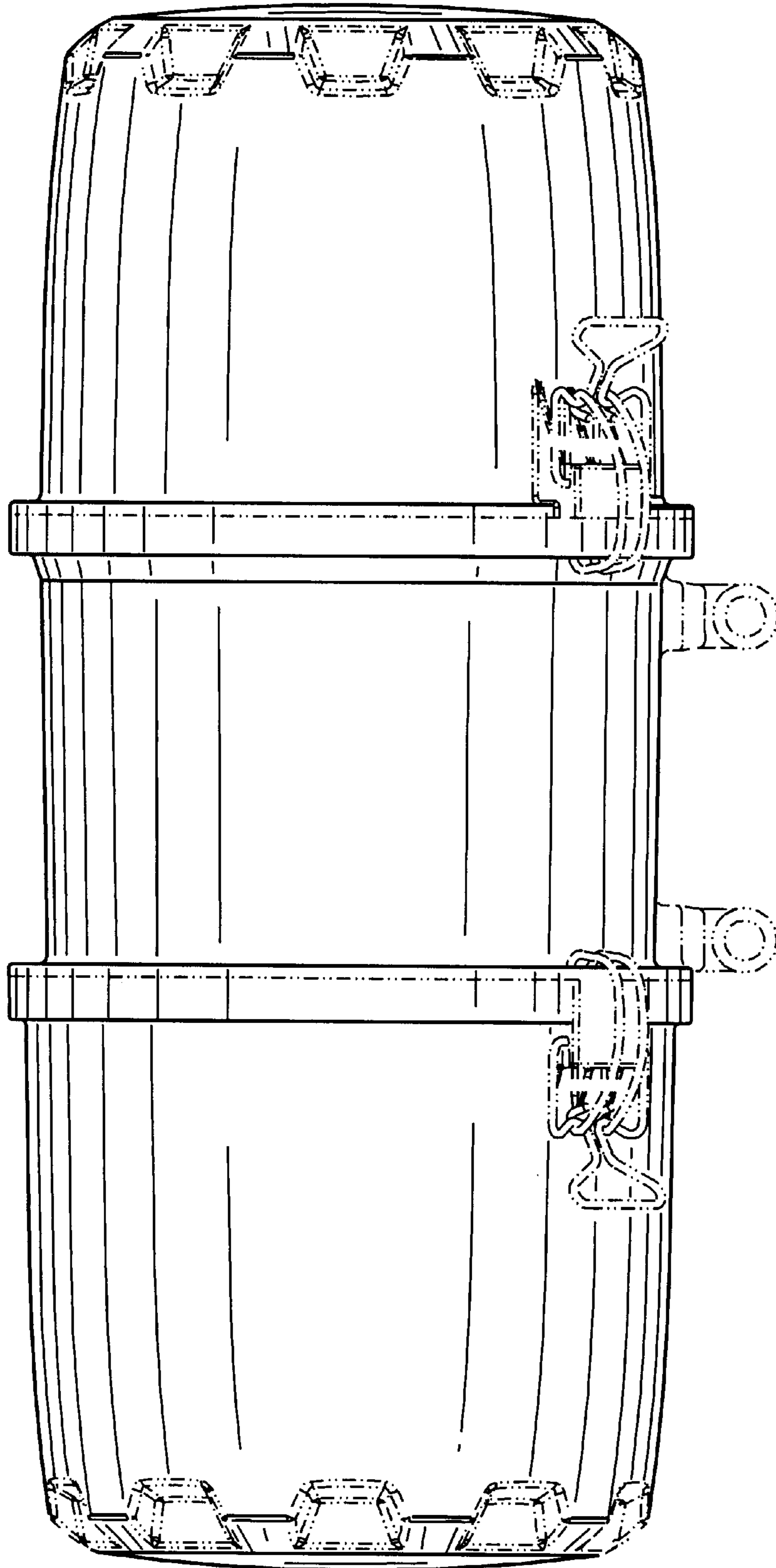


FIG. 6

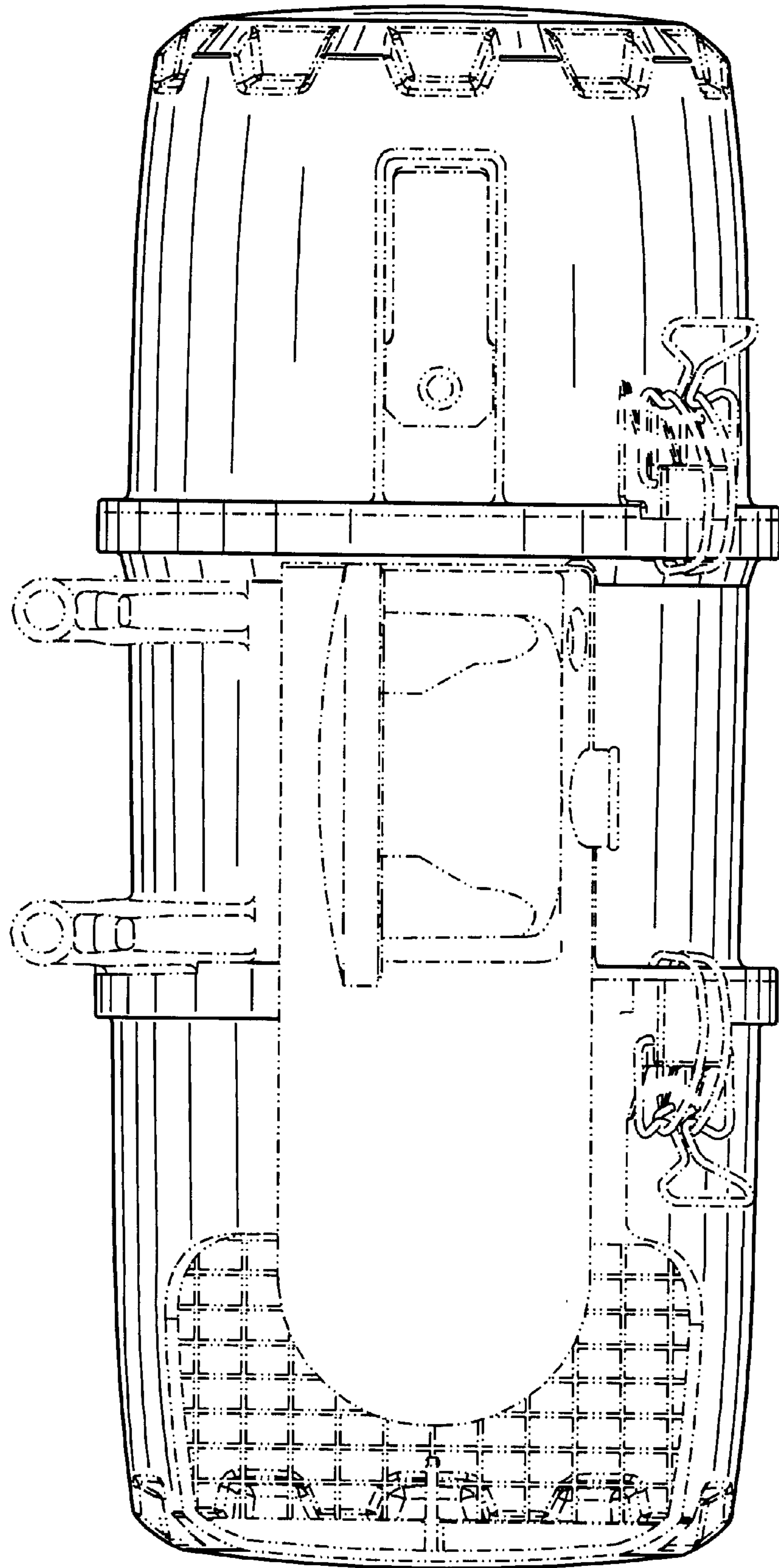


FIG. 7