



US00D555774S

(12) **United States Design Patent**
Matthiesen

(10) **Patent No.:** **US D555,774 S**

(45) **Date of Patent:** **** Nov. 20, 2007**

(54) **PORTABLE CAMPFIRE**

(75) Inventor: **Glenn E. Matthiesen**, 5953 Stuart Avenue, Port Alberni, British Columbia (CA) V9Y 9E6

(73) Assignee: **Glenn E. Matthiesen**, Port Alberni, British Columbia (CA)

(**) Term: **14 Years**

(21) Appl. No.: **29/231,971**

(22) Filed: **Jun. 14, 2005**

(51) **LOC (8) Cl.** **23-03**

(52) **U.S. Cl.** **D23/332**

(58) **Field of Classification Search** D23/332, D23/342, 346, 336, 314, 335, 338, 386; 126/41 R, 126/25 R, 512, 38, 9 R; 431/125; D7/332, D7/337

See application file for complete search history.

(56) **References Cited**

U.S. PATENT DOCUMENTS

2,154,305 A * 4/1939 Goerl 126/38

(Continued)

Primary Examiner—Louis S. Zarfaz

Assistant Examiner—Anna K Dworzecka

(74) *Attorney, Agent, or Firm*—Paul Smith; Paul Smith Intellectual Property Law

(57) **CLAIM**

The ornamental design for a portable campfire, as shown and described.

DESCRIPTION

FIG. 1 is a perspective view of the first embodiment of my portable campfire showing my new design;

FIG. 2 is a perspective view with the lid displaced thereof;

FIG. 3 is an elevational view thereof;

FIG. 4 is an elevational view with the lid displaced thereof;

FIG. 5 is a top plan view with the lid removed thereof;

FIG. 6 is a top plan view thereof;

FIG. 7 is a bottom plan view thereof;

FIG. 8 is a bottom plan view of the lid thereof;

FIG. 9 is a perspective view of the second embodiment of my portable campfire in an alternative position of FIG. 1;

FIG. 10 is a perspective view with the lid displaced thereof;

FIG. 11 is an elevational view thereof;

FIG. 12 is an elevational view with the lid displaced thereof;

FIG. 13 is a top plan view with the lid removed thereof;

FIG. 14 is a top plan view of the lid thereof;

FIG. 15 is a bottom plan view thereof;

FIG. 16 is a bottom plan view of the lid thereof;

FIG. 17 is a perspective view of my portable campfire in another alternate position of FIG. 1 with the lid displaced;

FIG. 18 is an elevational view with the lid displaced thereof;

FIG. 19 is a top plan view with the lid removed thereof;

FIG. 20 is a top plan view of the lid thereof;

FIG. 21 is a bottom plan view thereof;

FIG. 22 is a bottom plan view of the lid thereof;

FIG. 23 is a perspective view of my portable campfire in another alternate position of FIG. 9;

FIG. 24 is an elevational view with the lid displaced thereof;

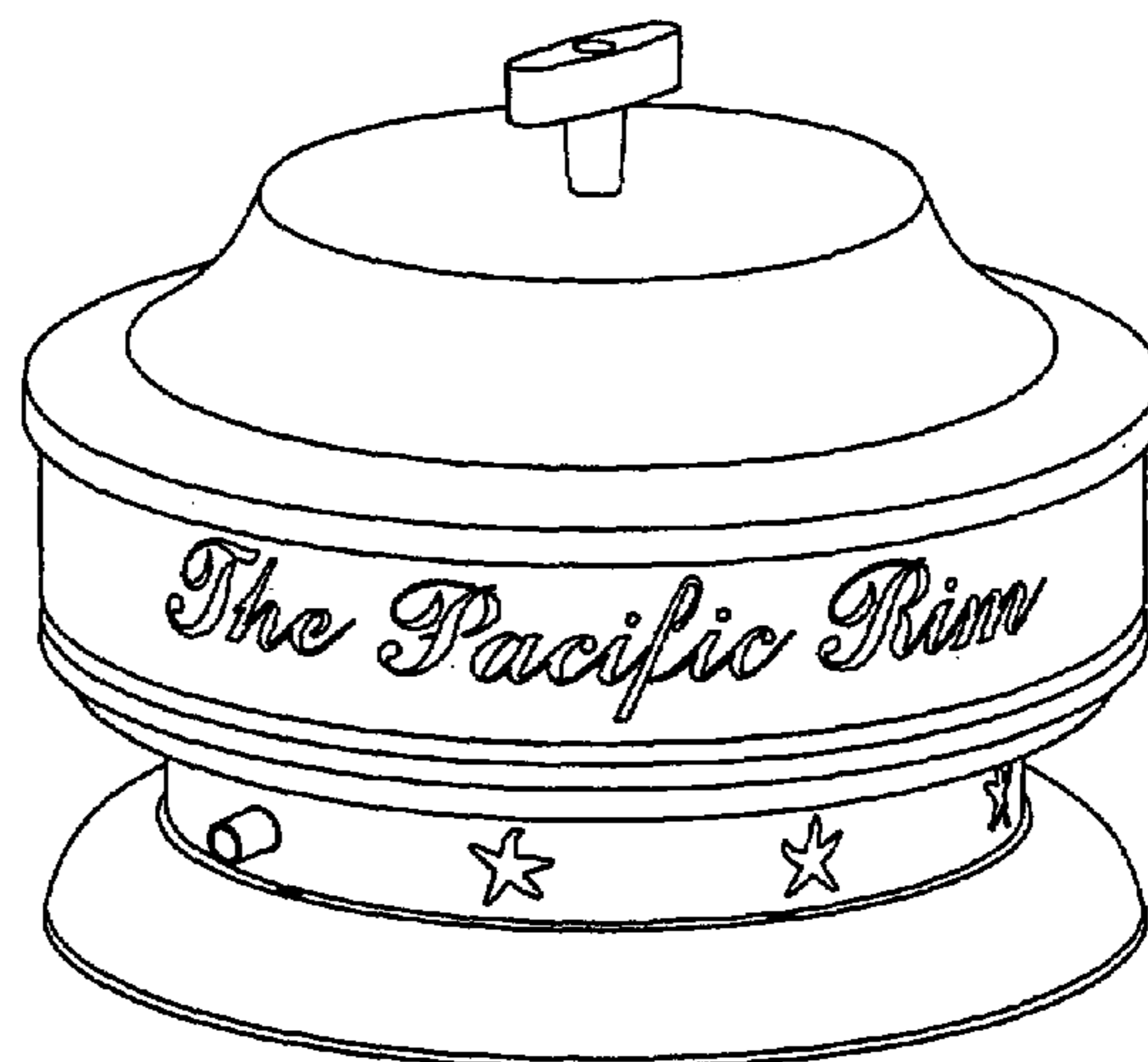
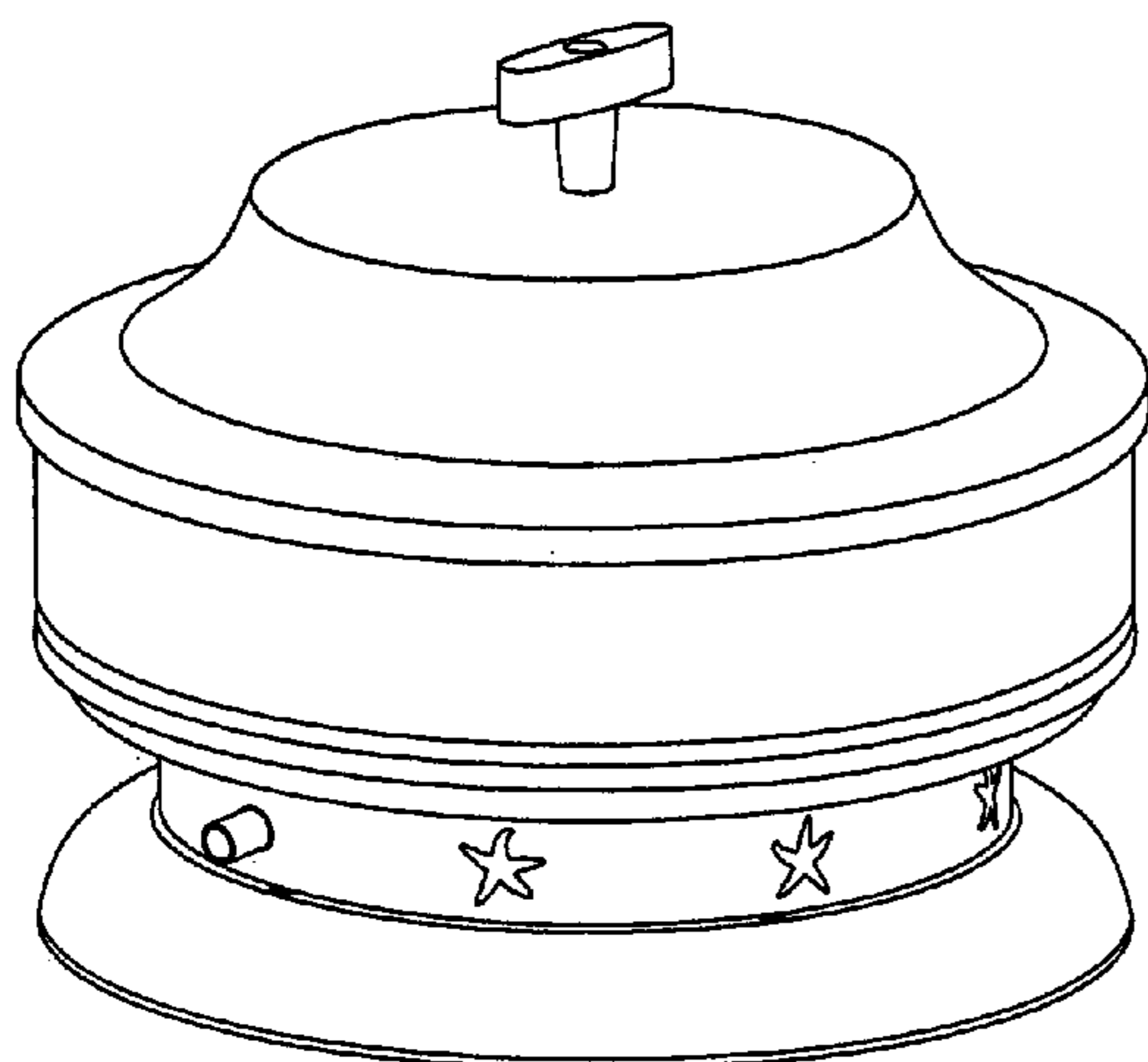
FIG. 25 is a top plan view with the lid removed thereof;

FIG. 26 is a top plan view of the lid thereof;

FIG. 27 is a bottom plan view thereof; and,

FIG. 28 is a bottom plan view of the lid thereof.

1 Claim, 10 Drawing Sheets



US D555,774 S

Page 2

U.S. PATENT DOCUMENTS			
		5,868,128 A *	2/1999 Omar 126/512
		6,926,517 B2 *	8/2005 Van Vleet 431/125
		2003/0164167 A1 *	9/2003 Van Vleet 126/512
D292,163 S *	10/1987	Mashburn et al.	D7/337
4,788,962 A *	12/1988	Mashburn et al.	126/25 R
5,094,223 A *	3/1992	Gonzalez	126/25 R
5,413,087 A *	5/1995	Jean	126/41 R

* cited by examiner

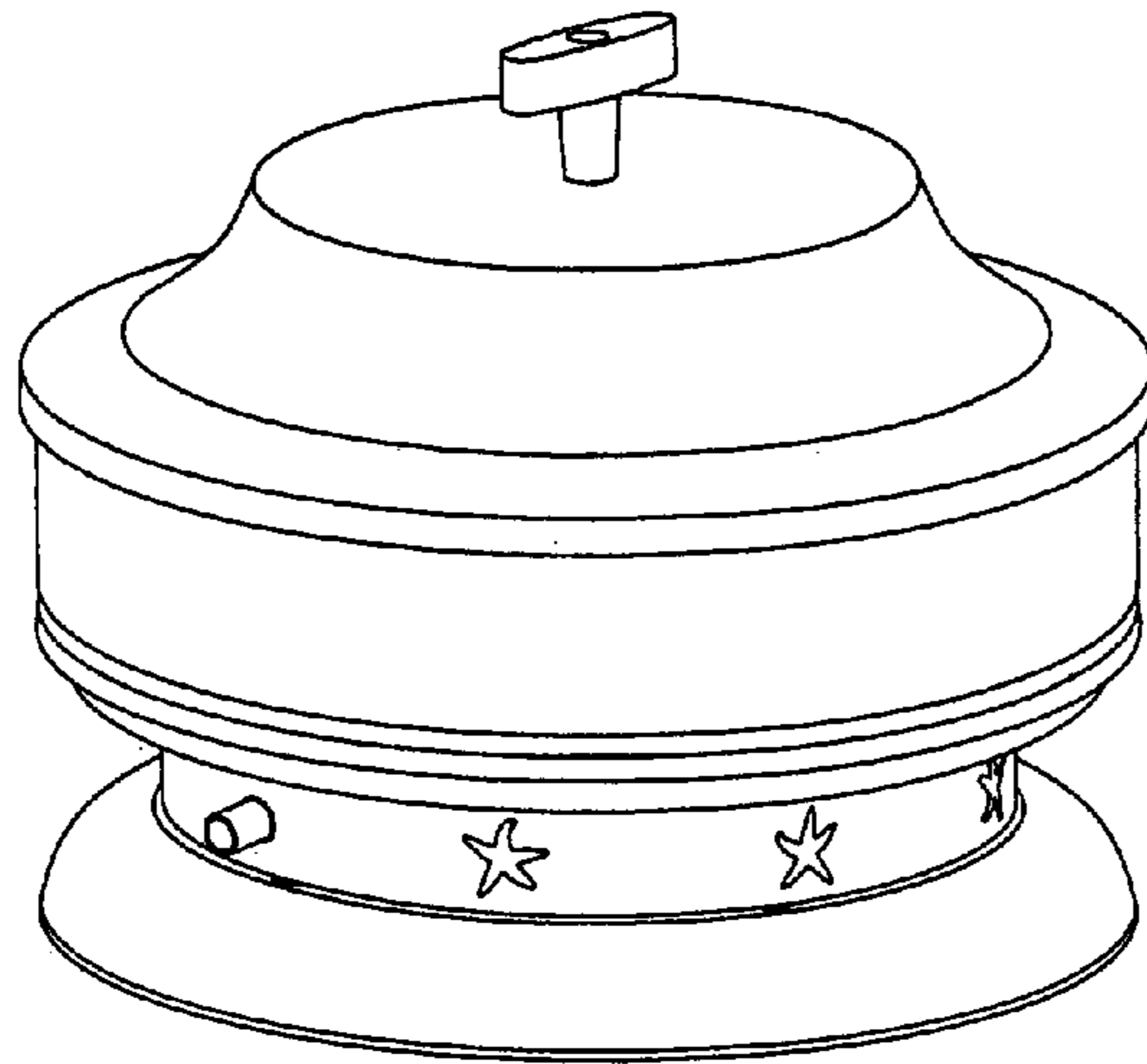


Figure 1.

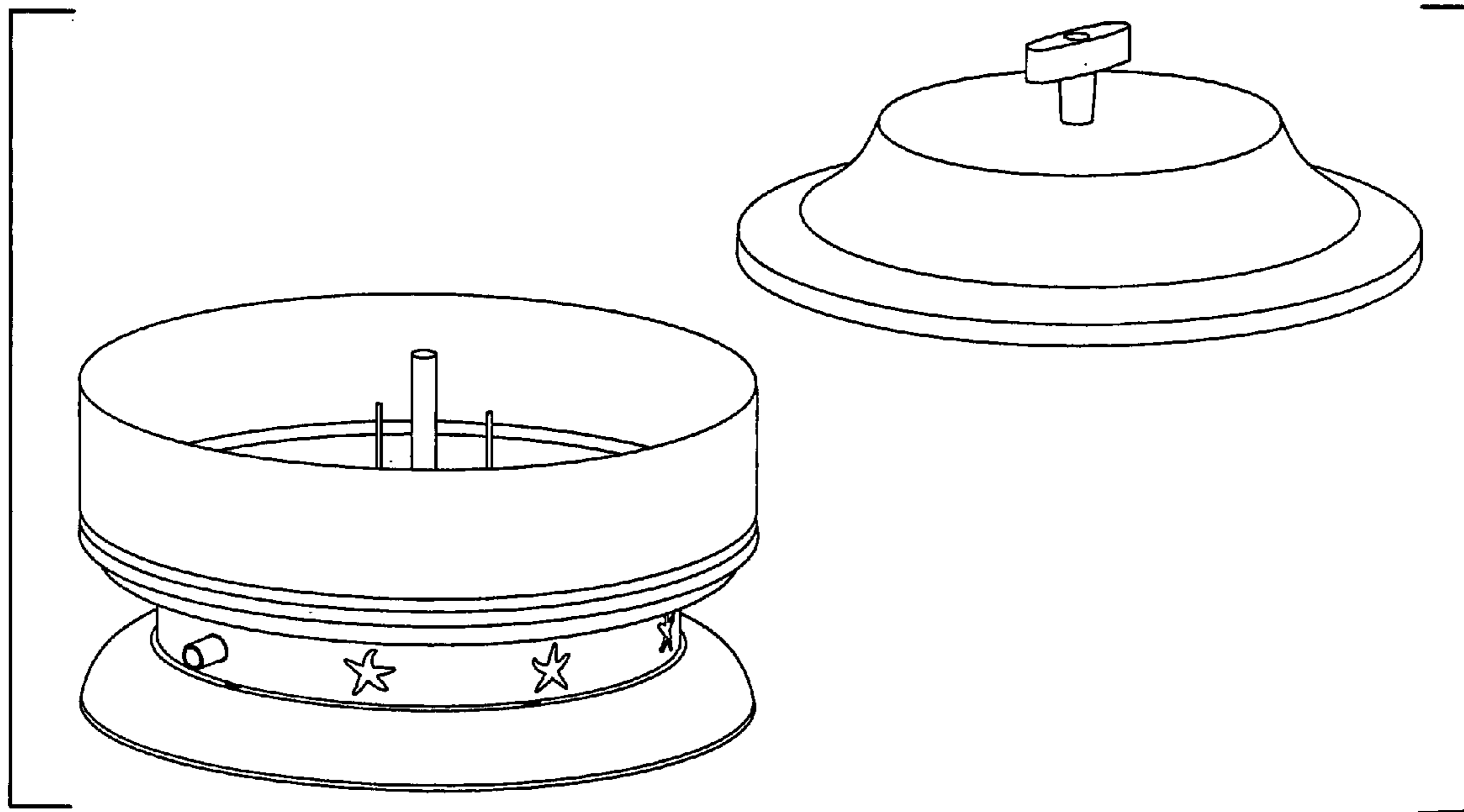


Figure 2.

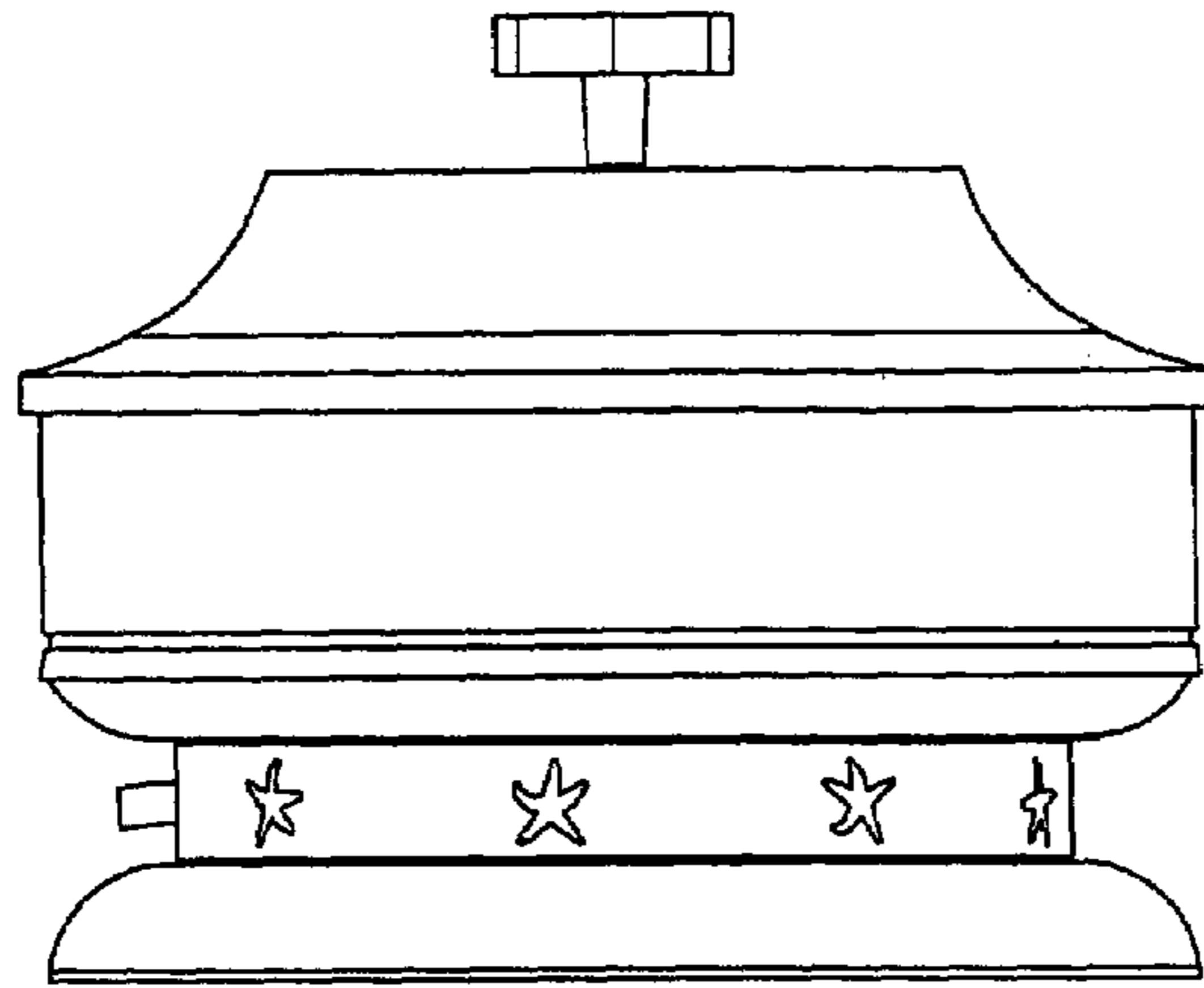


Figure 3.

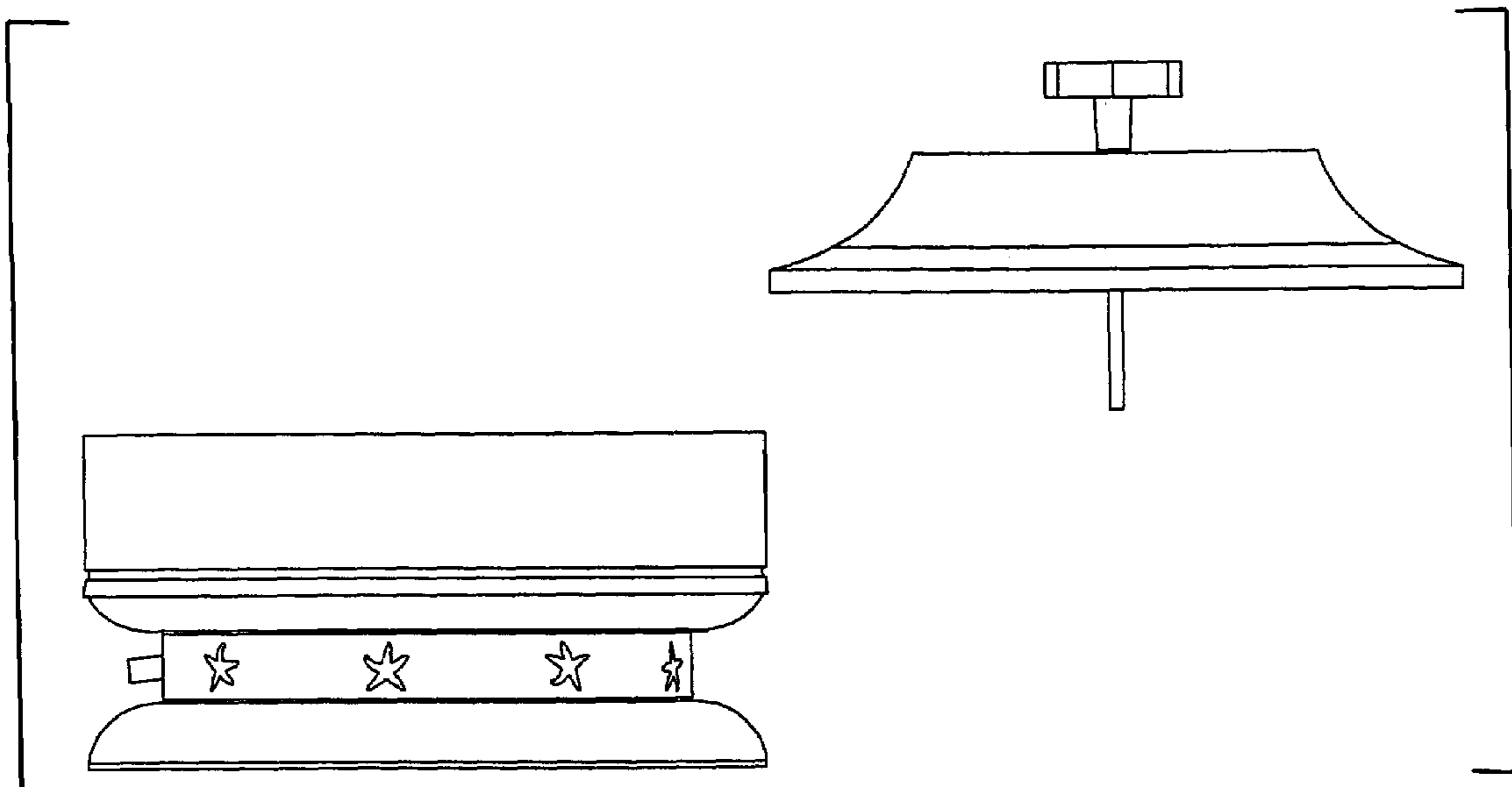


Figure 4.

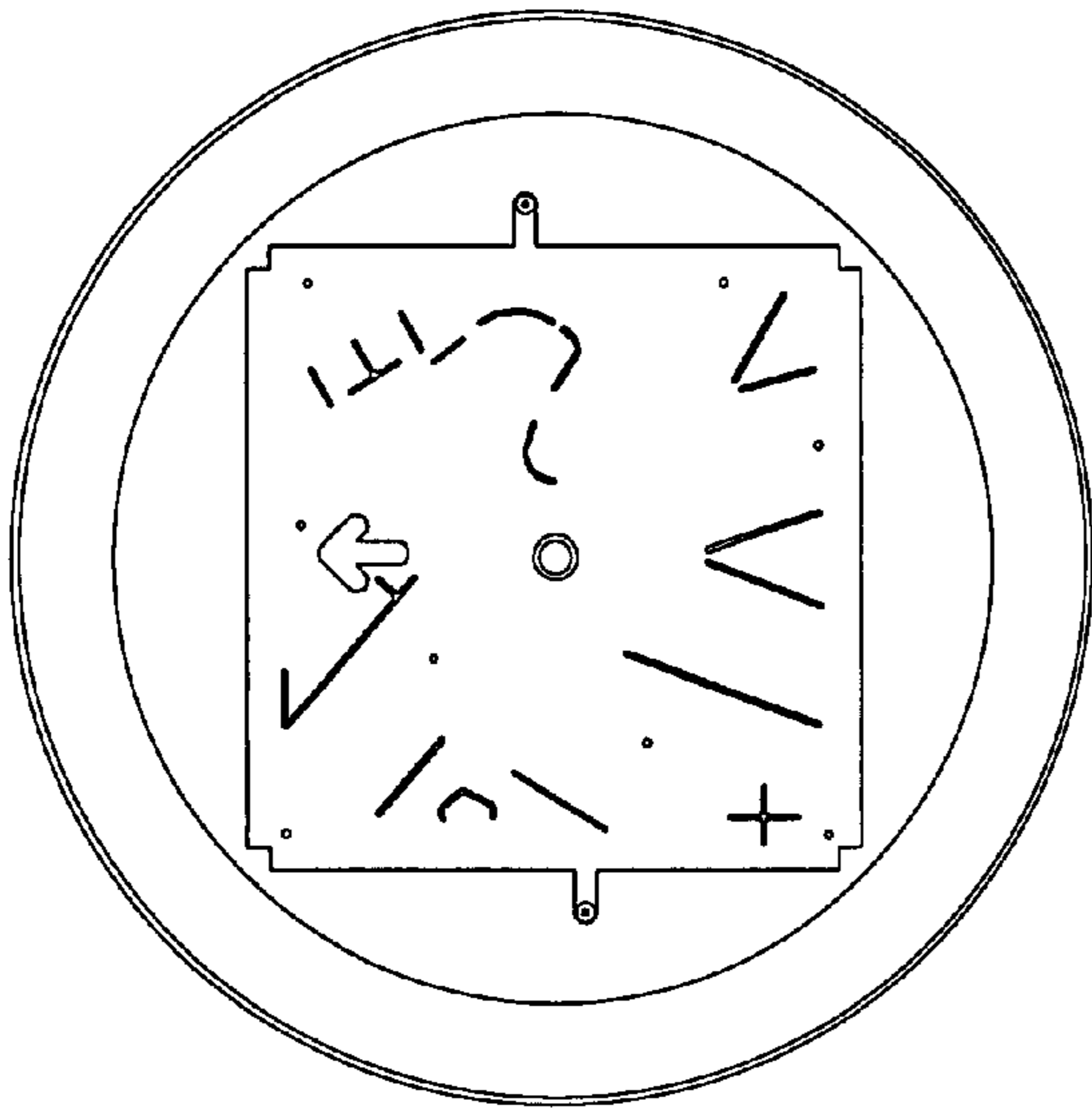


Figure 5.

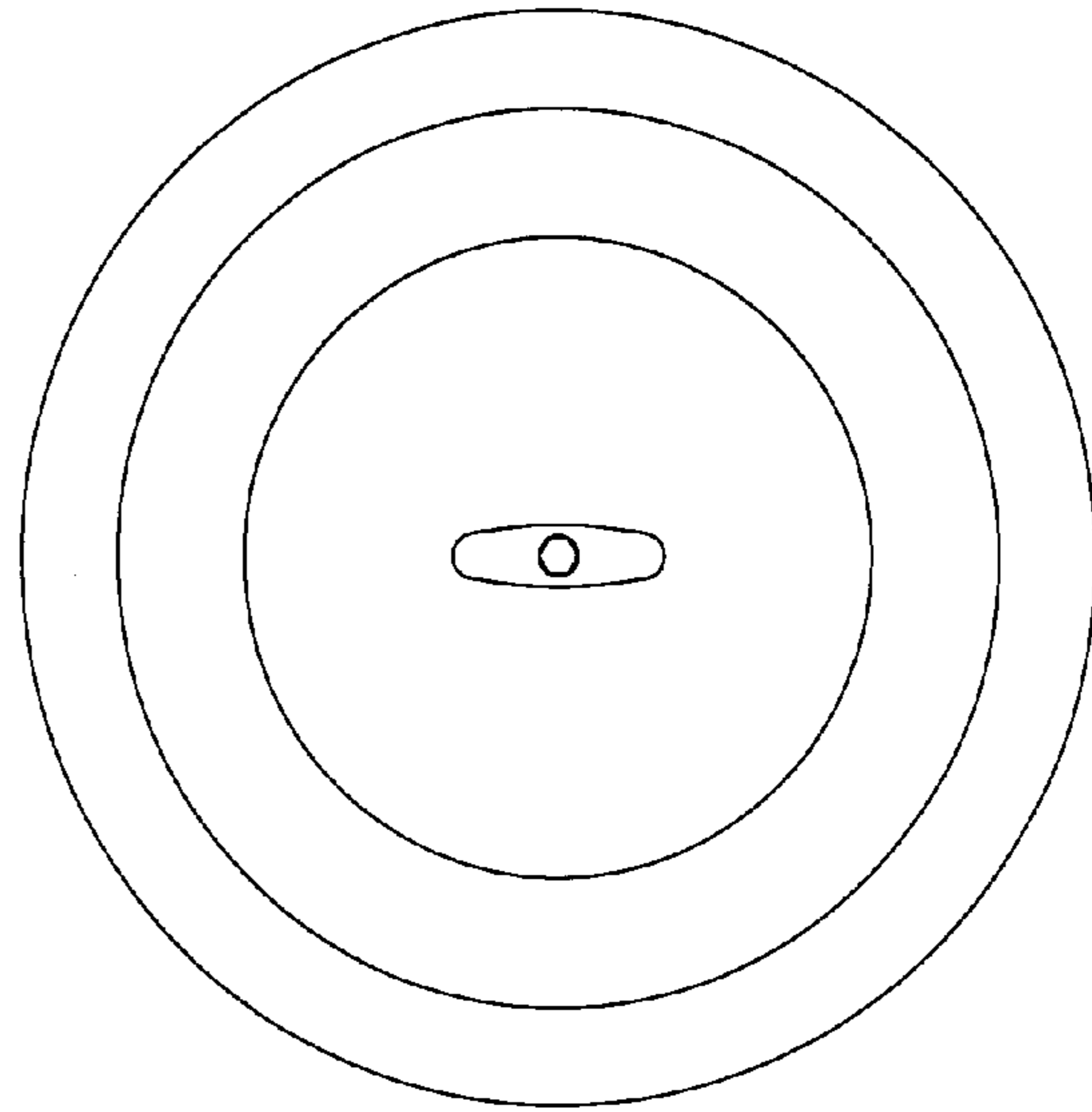


Figure 6.

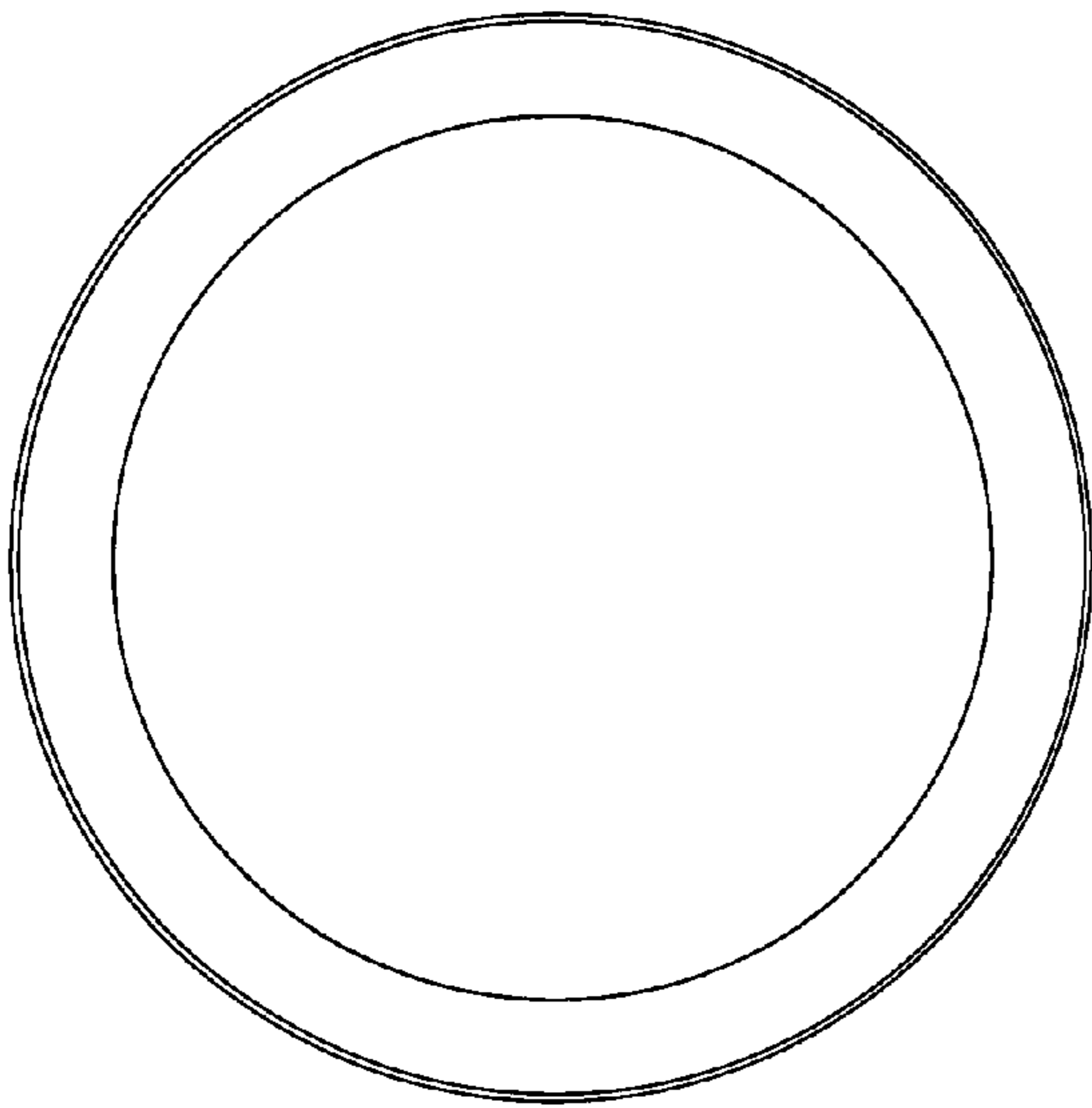


Figure 7.

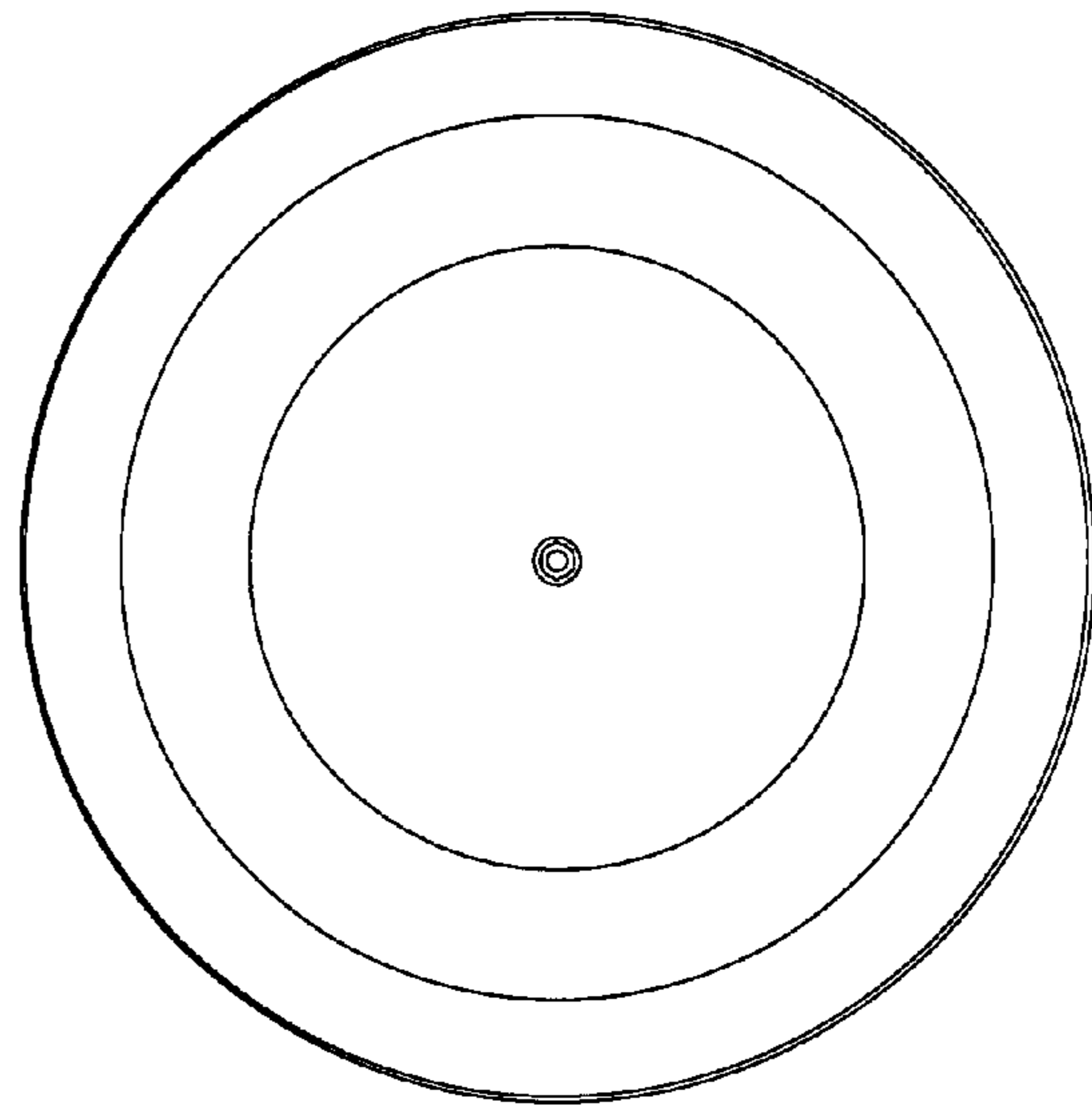


Figure 8.

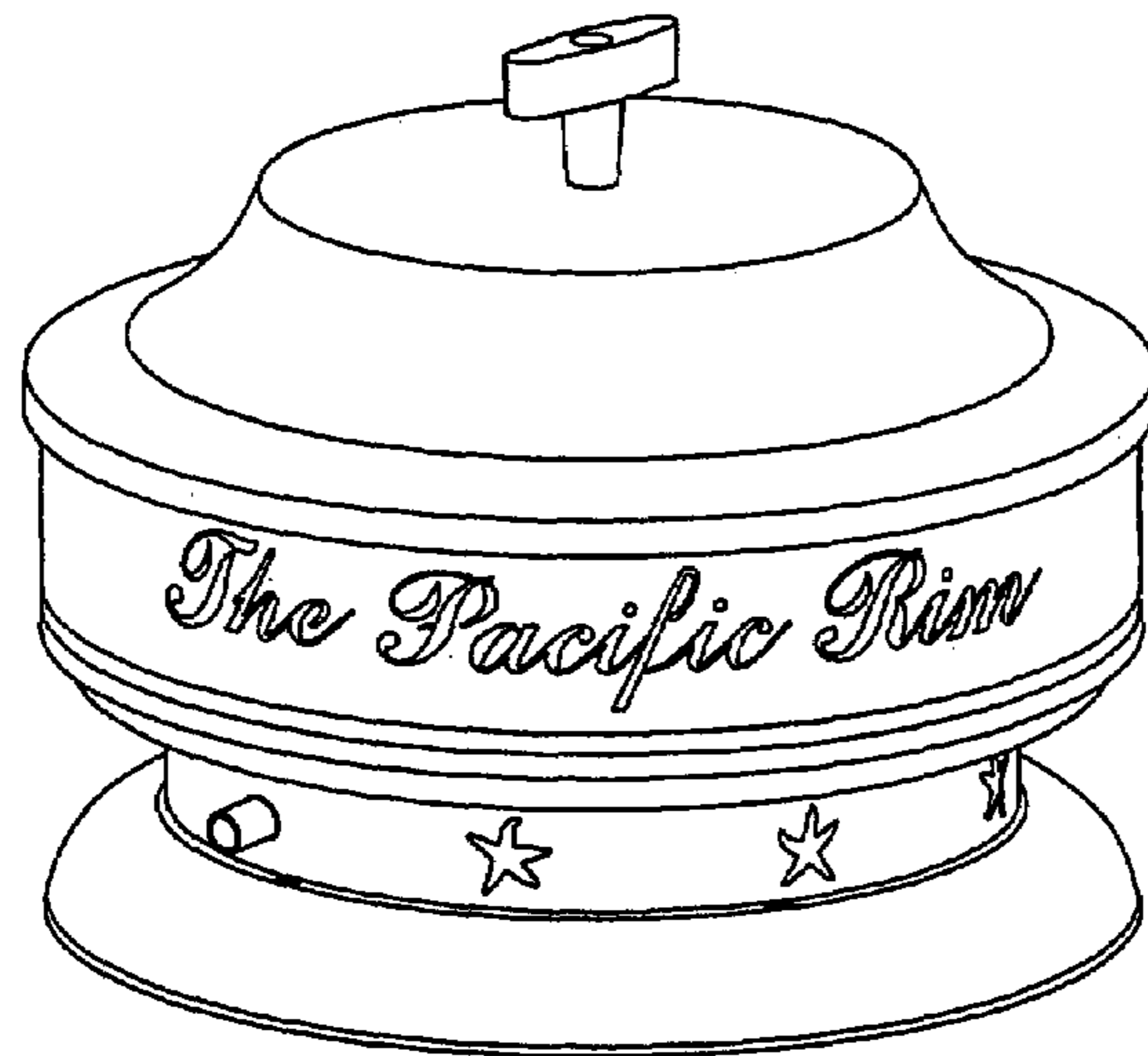


Figure 9.

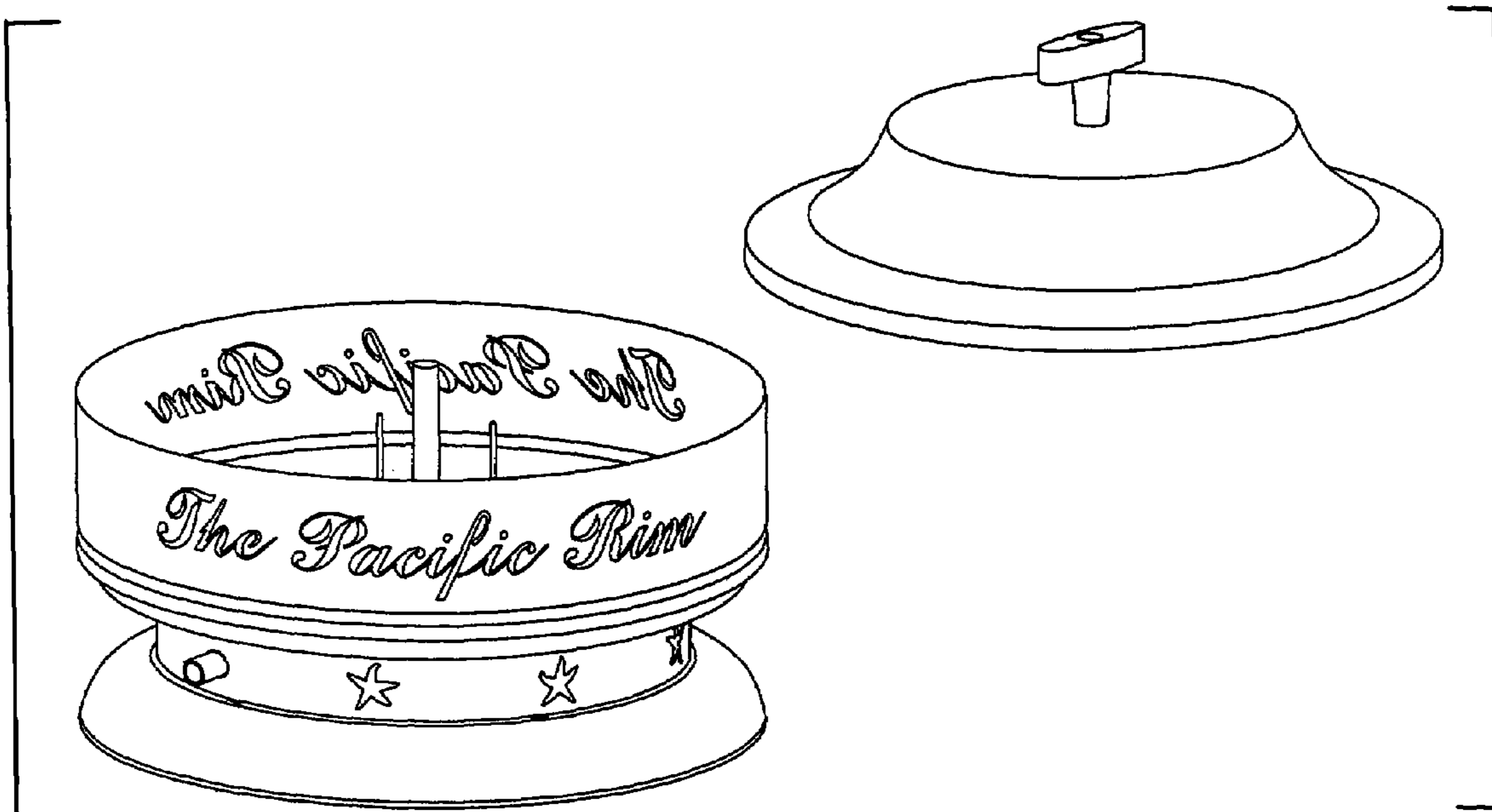


Figure 10.

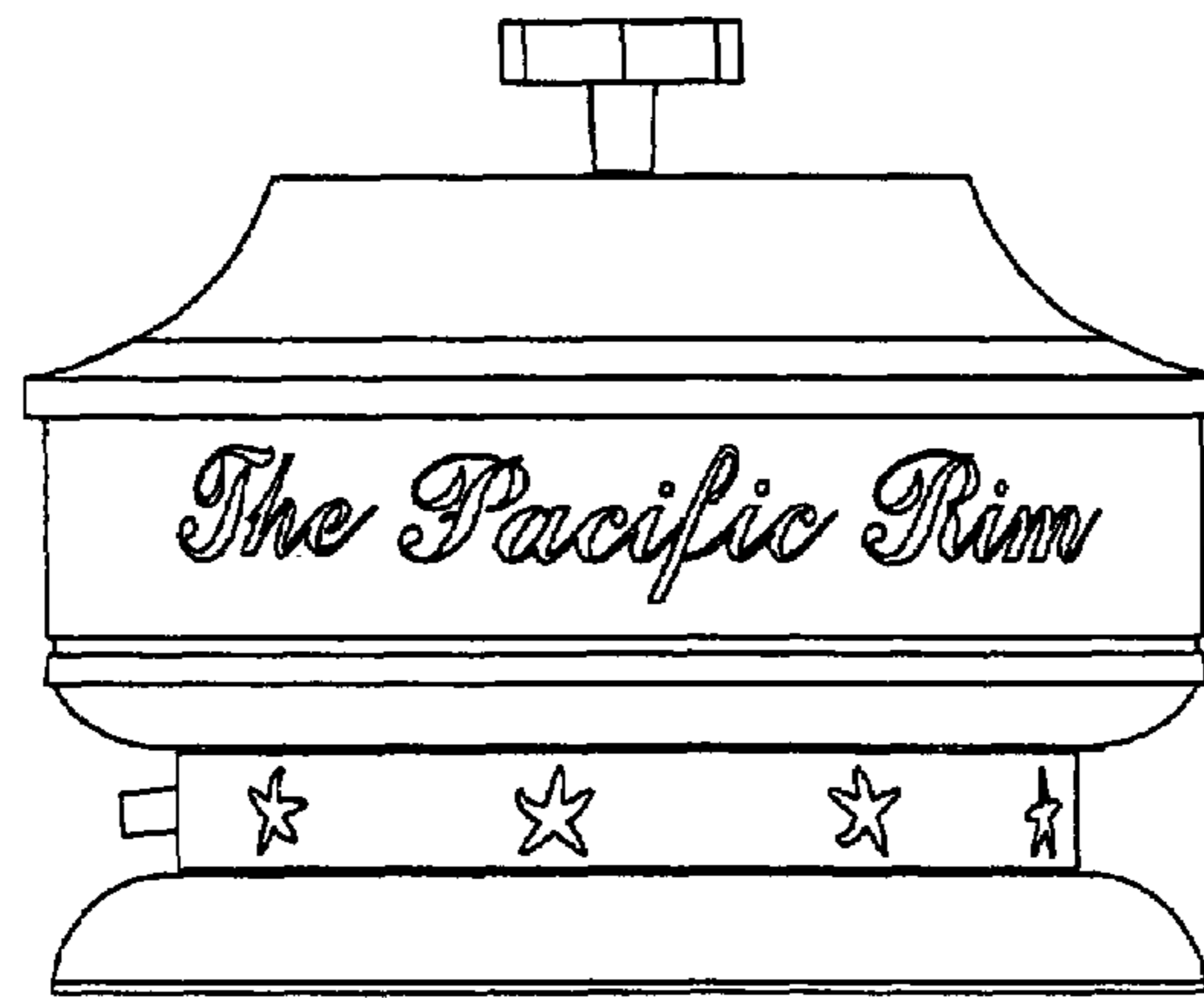


Figure 11.

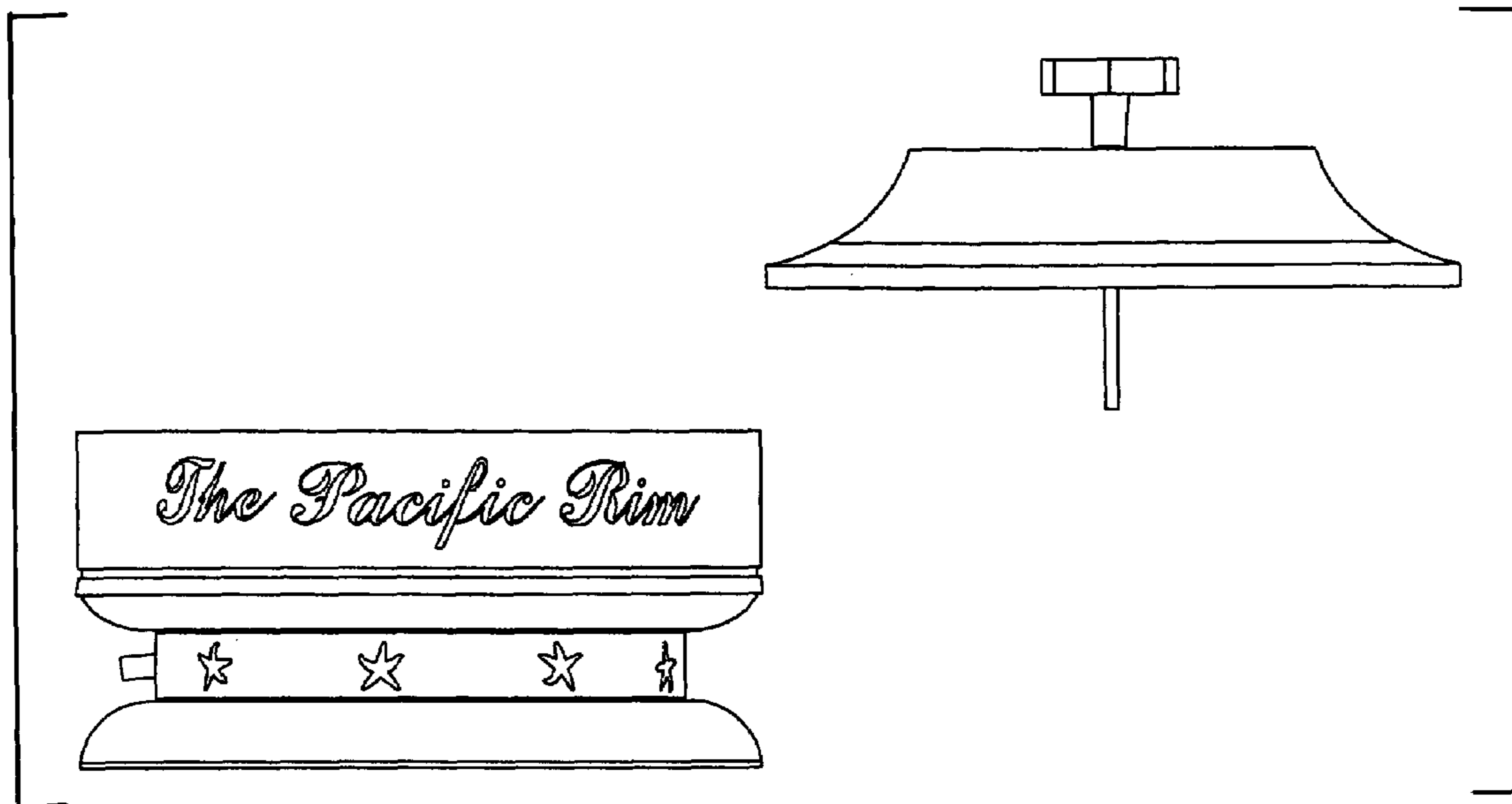


Figure 12.

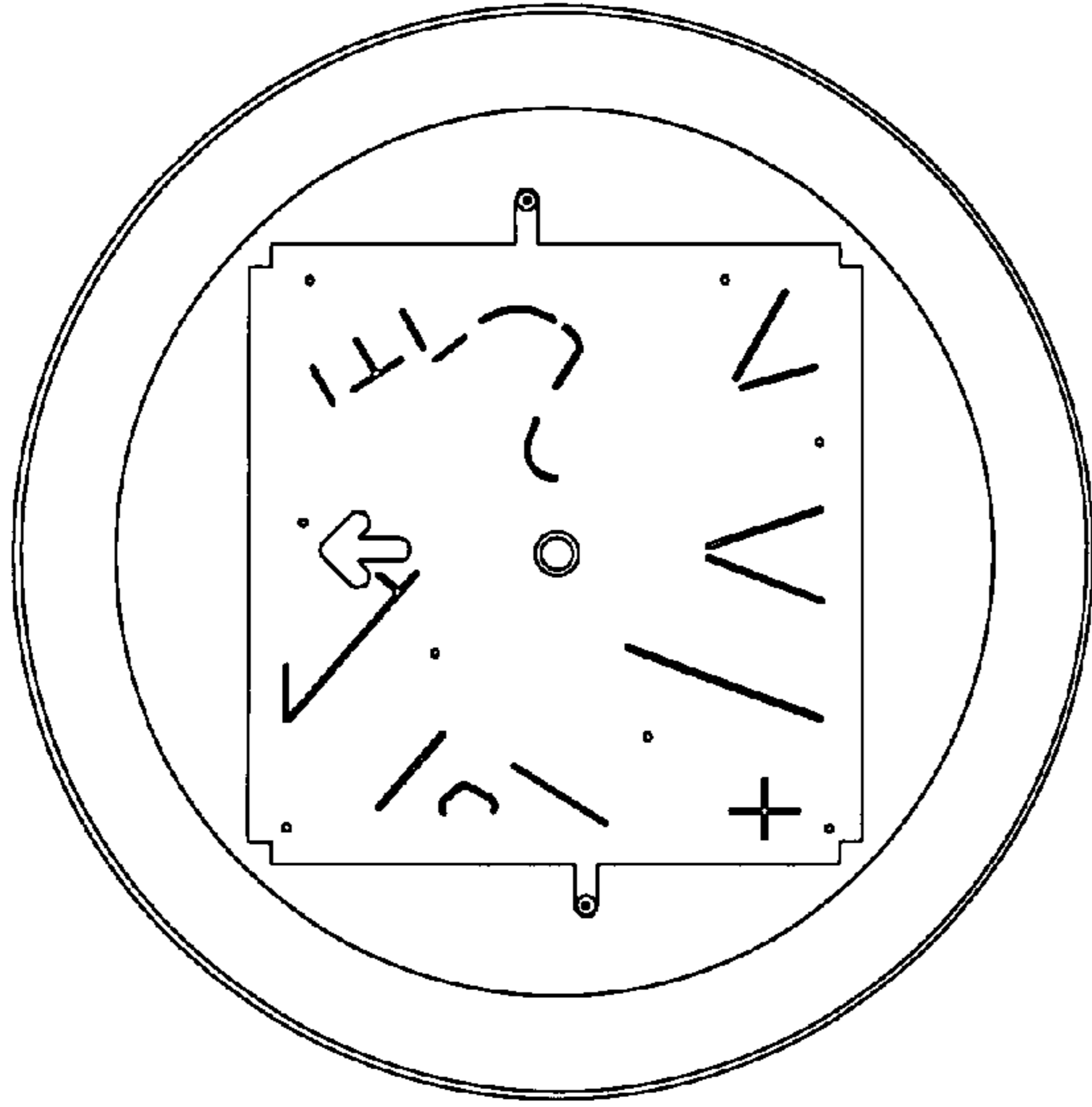


Figure 13.

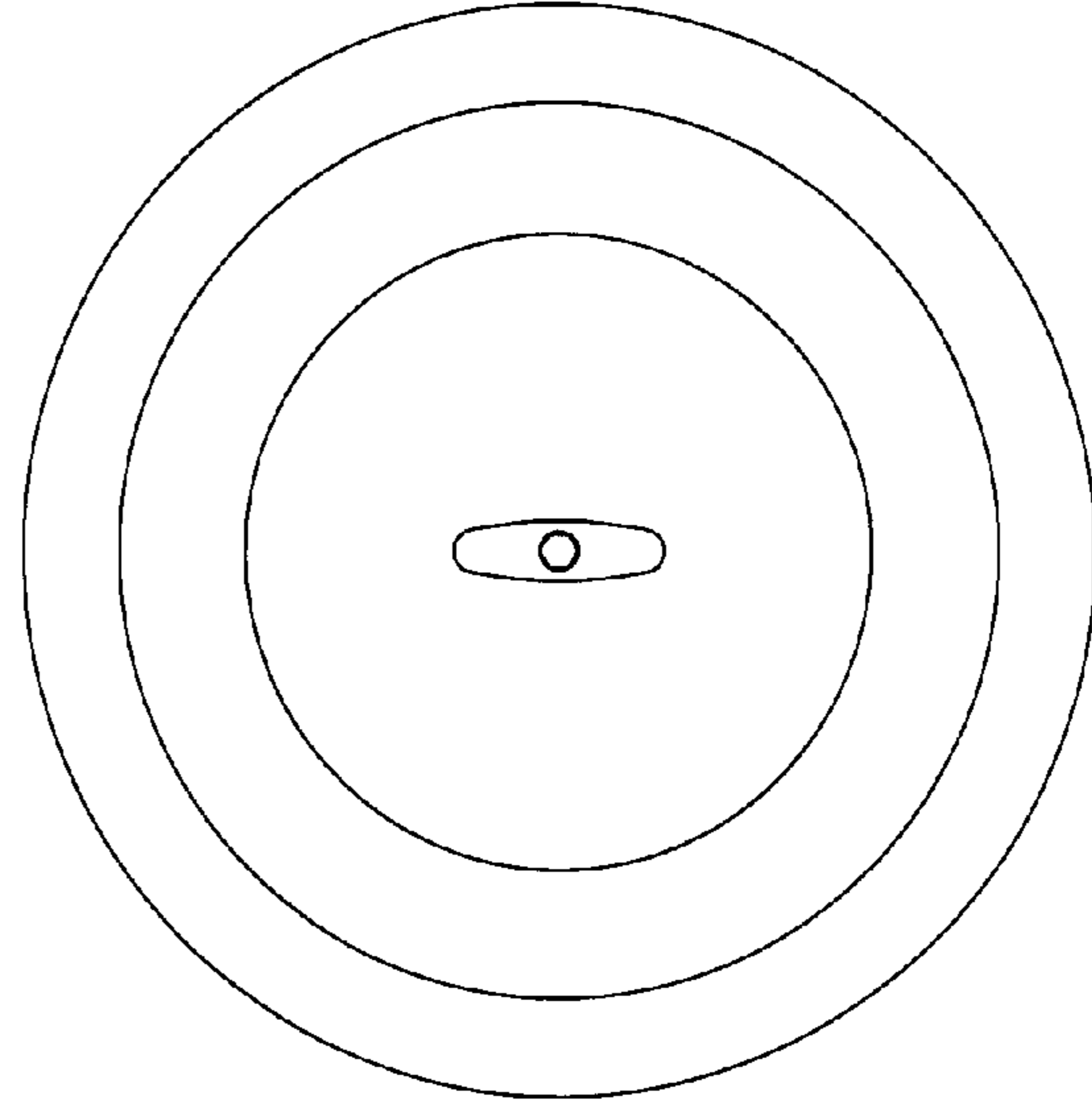


Figure 14.

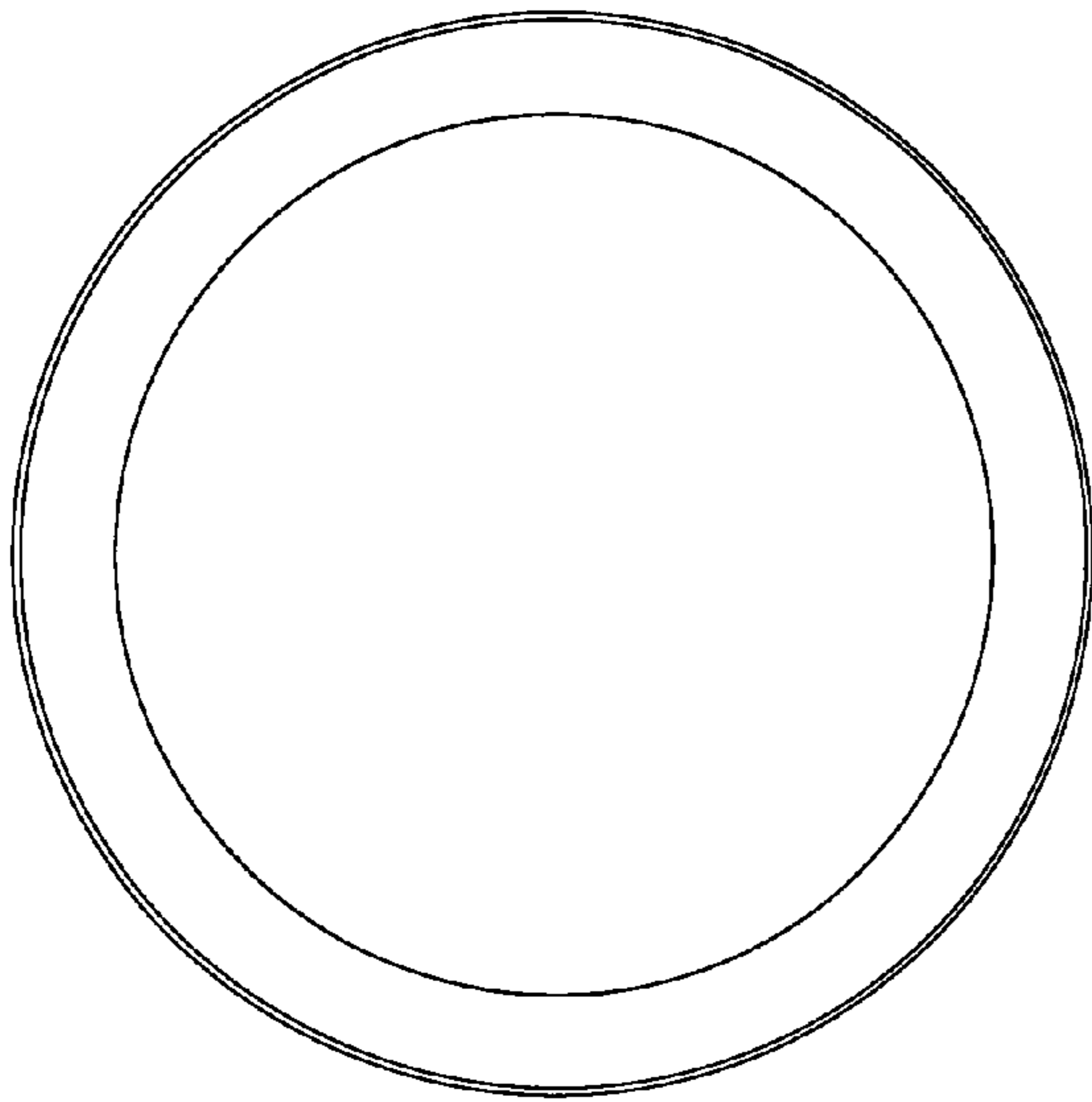


Figure 15.

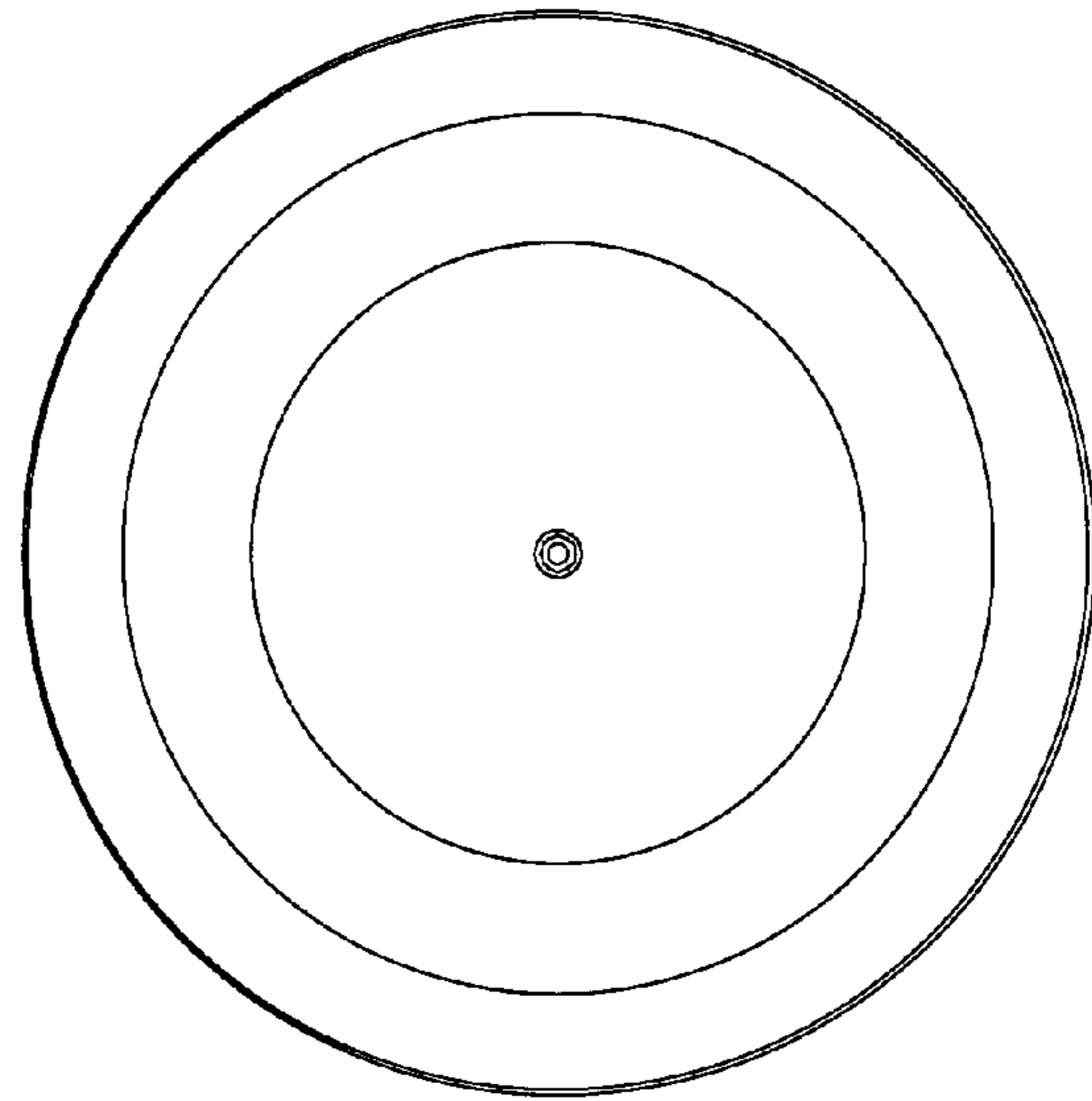


Figure 16.

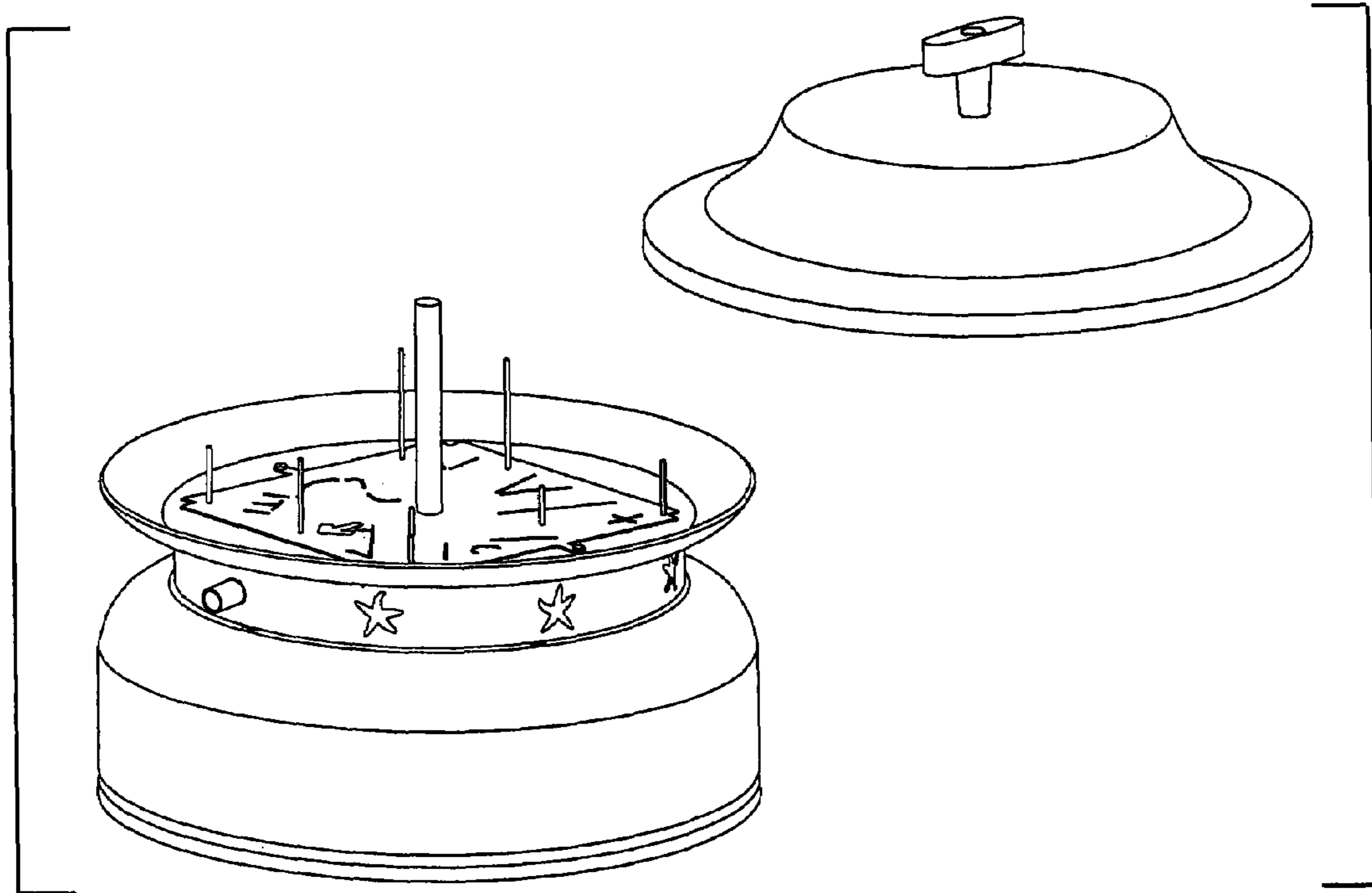


Figure 17.

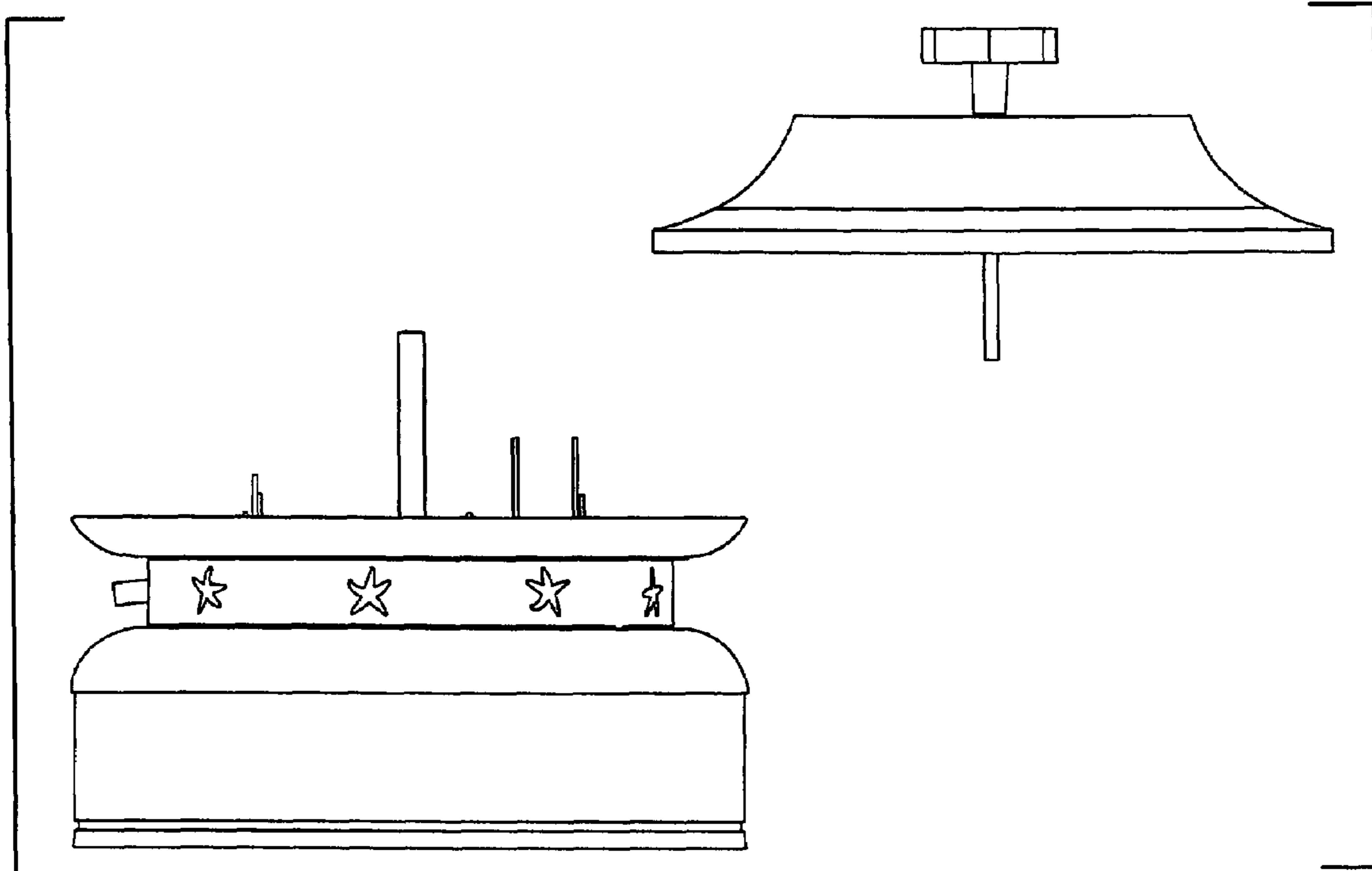


Figure 18.

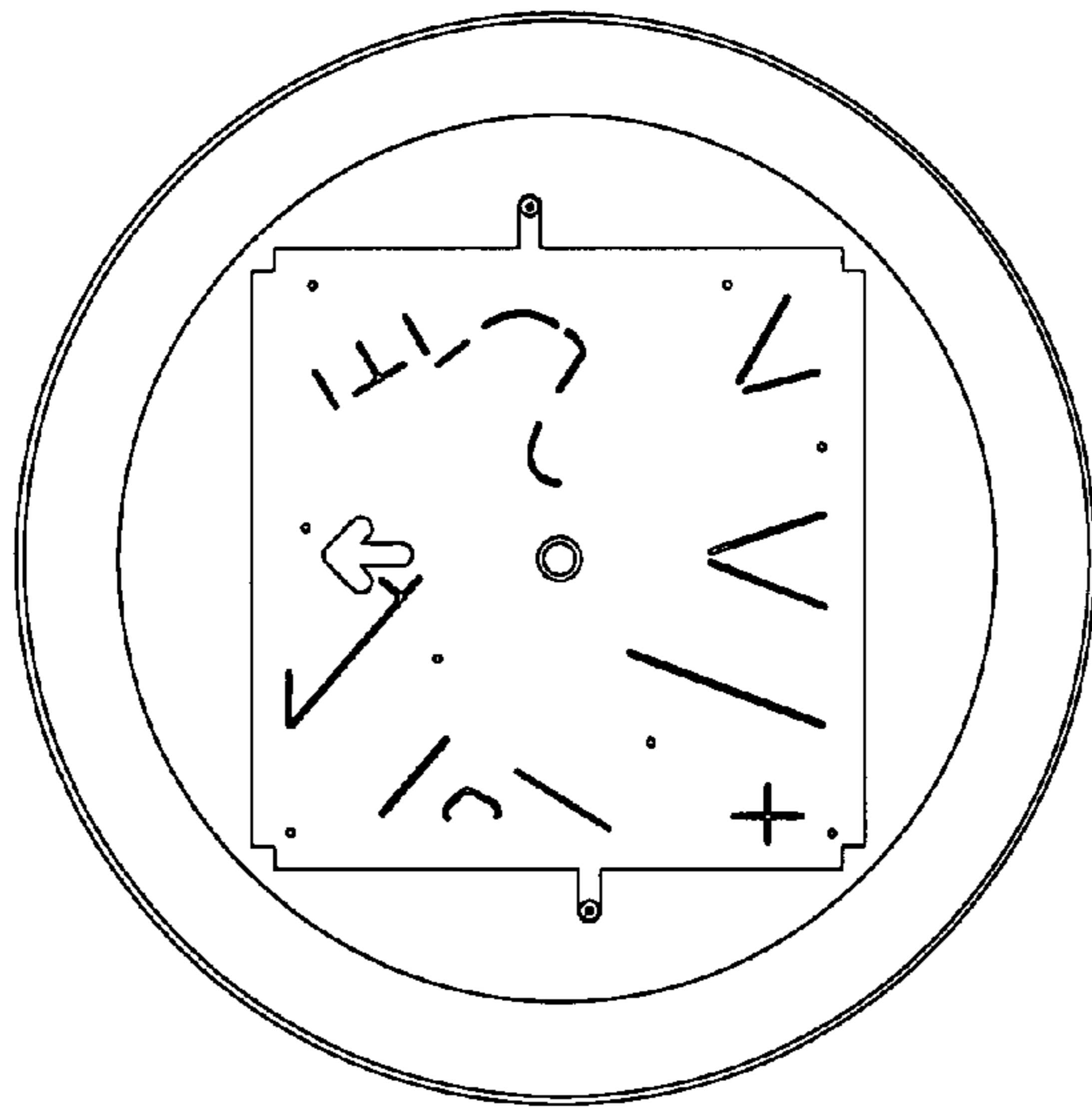


Figure 19.

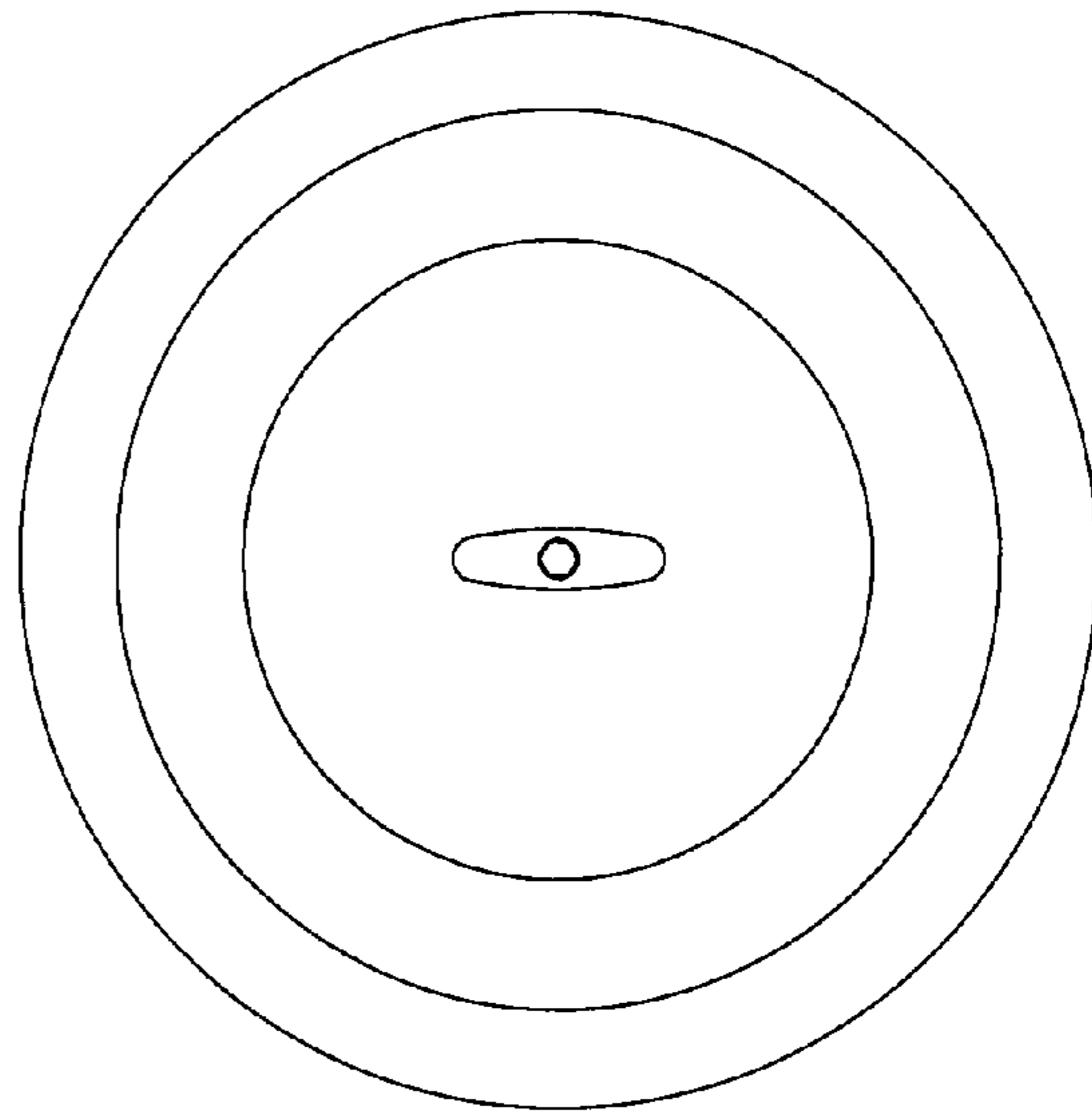


Figure 20.

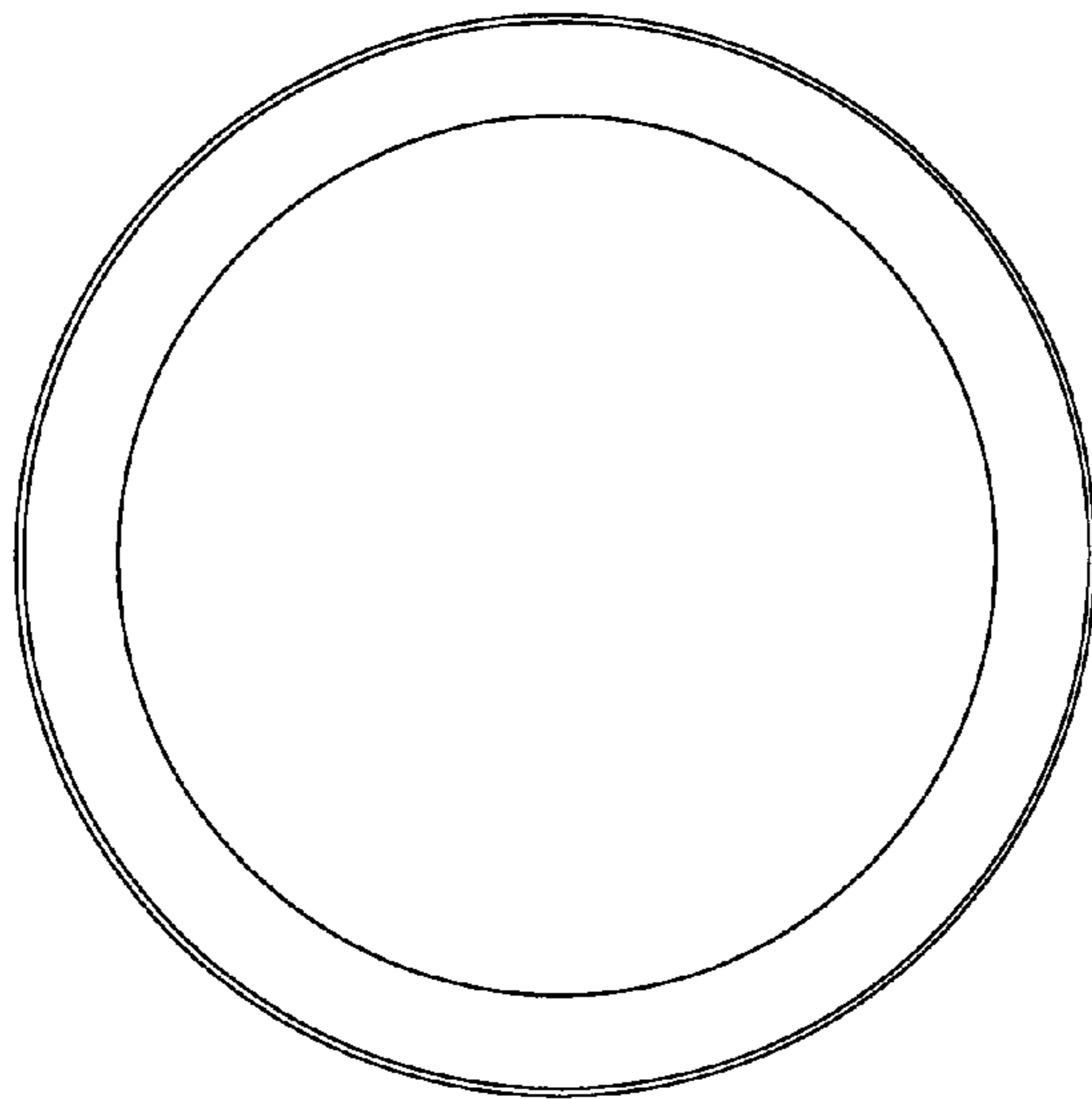


Figure 21.

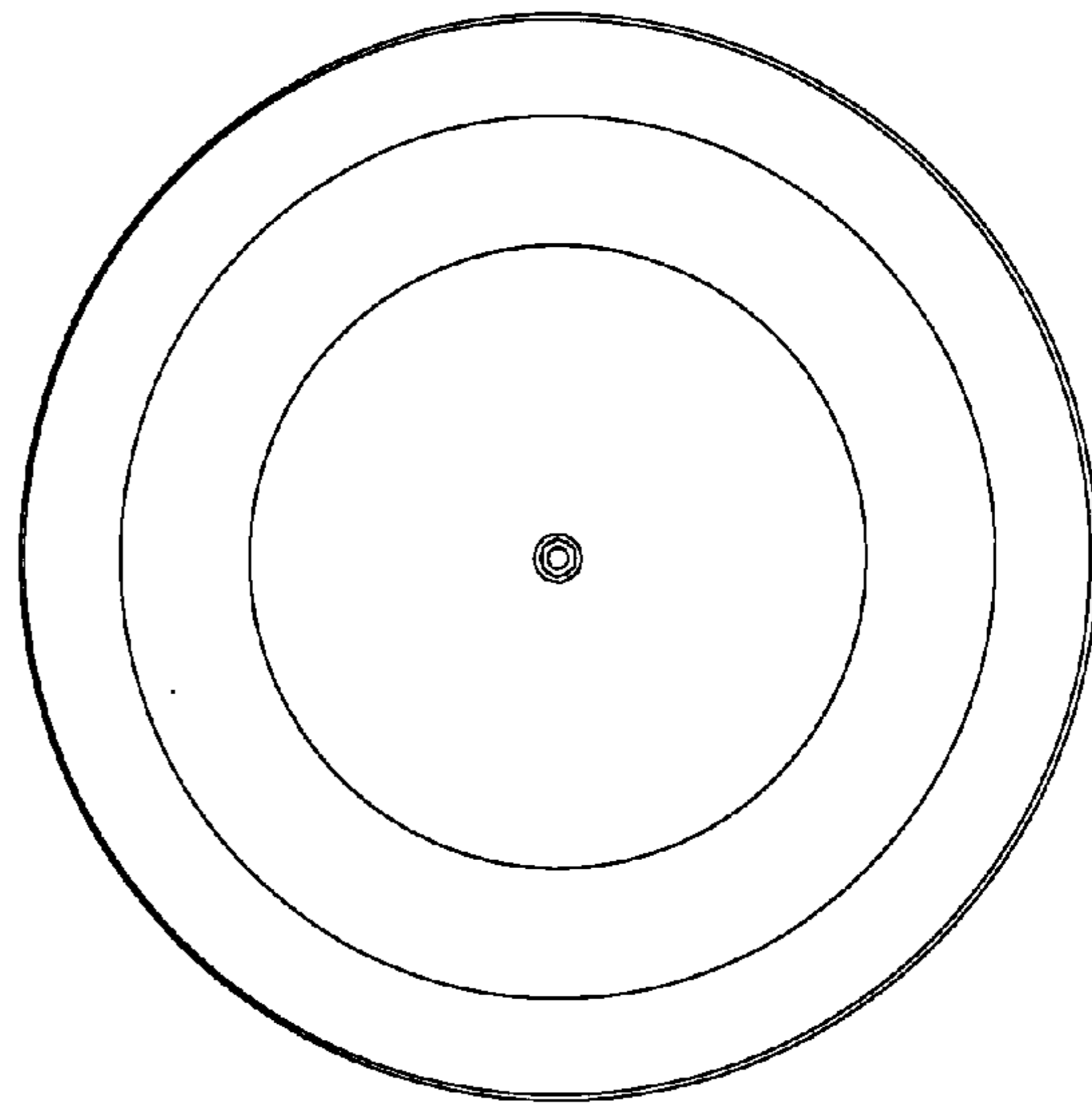


Figure 22.

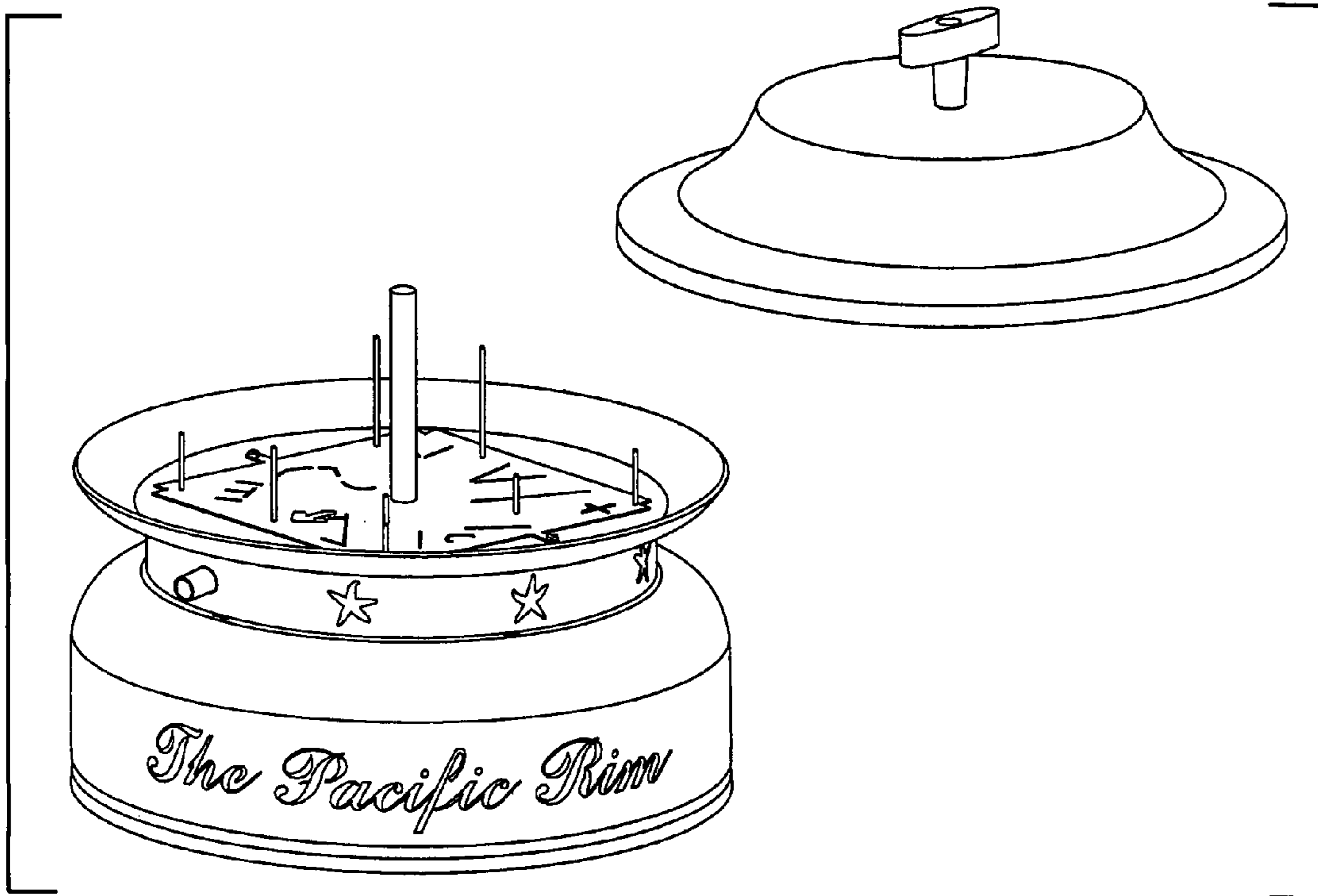


Figure 23.

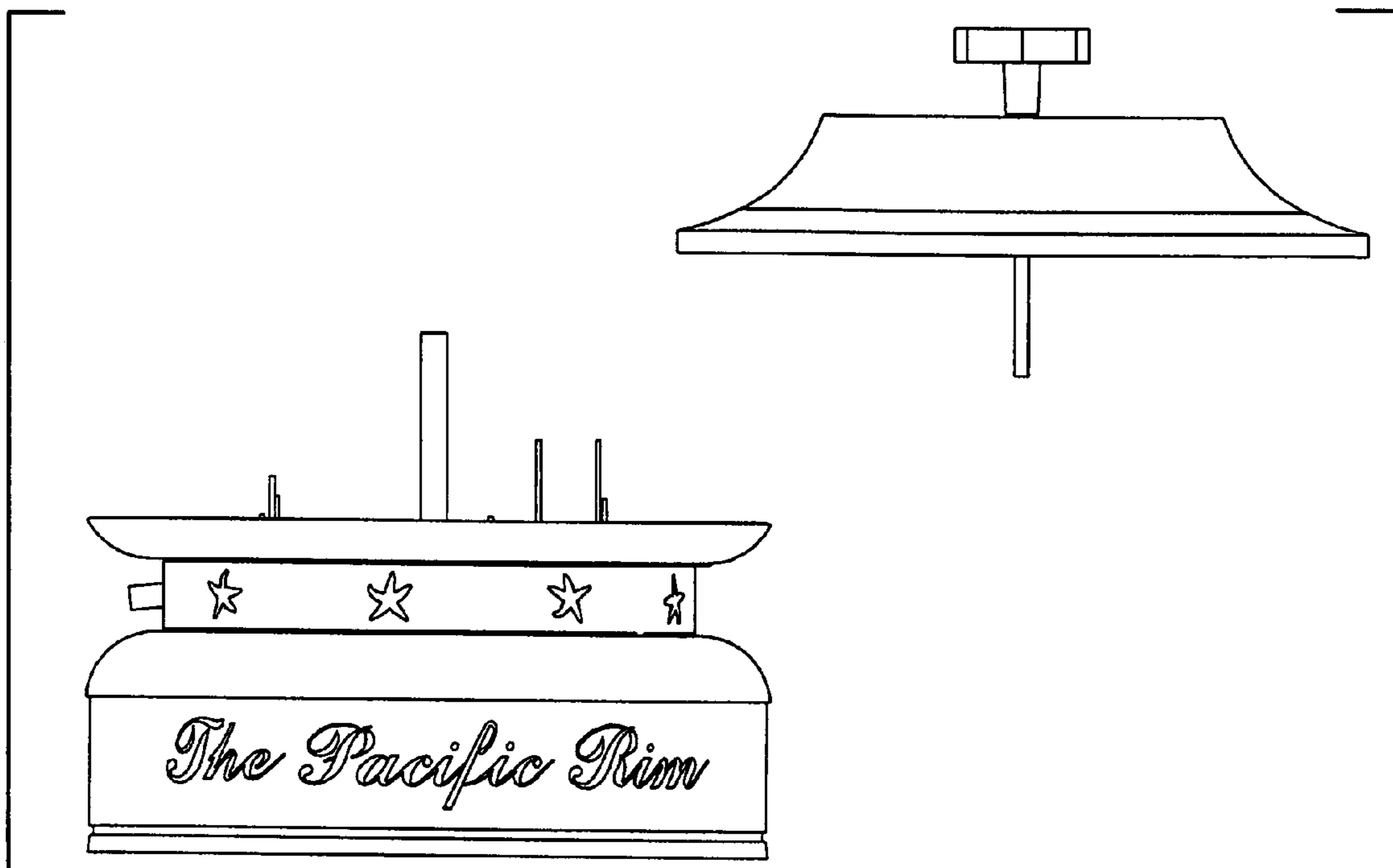


Figure 24.

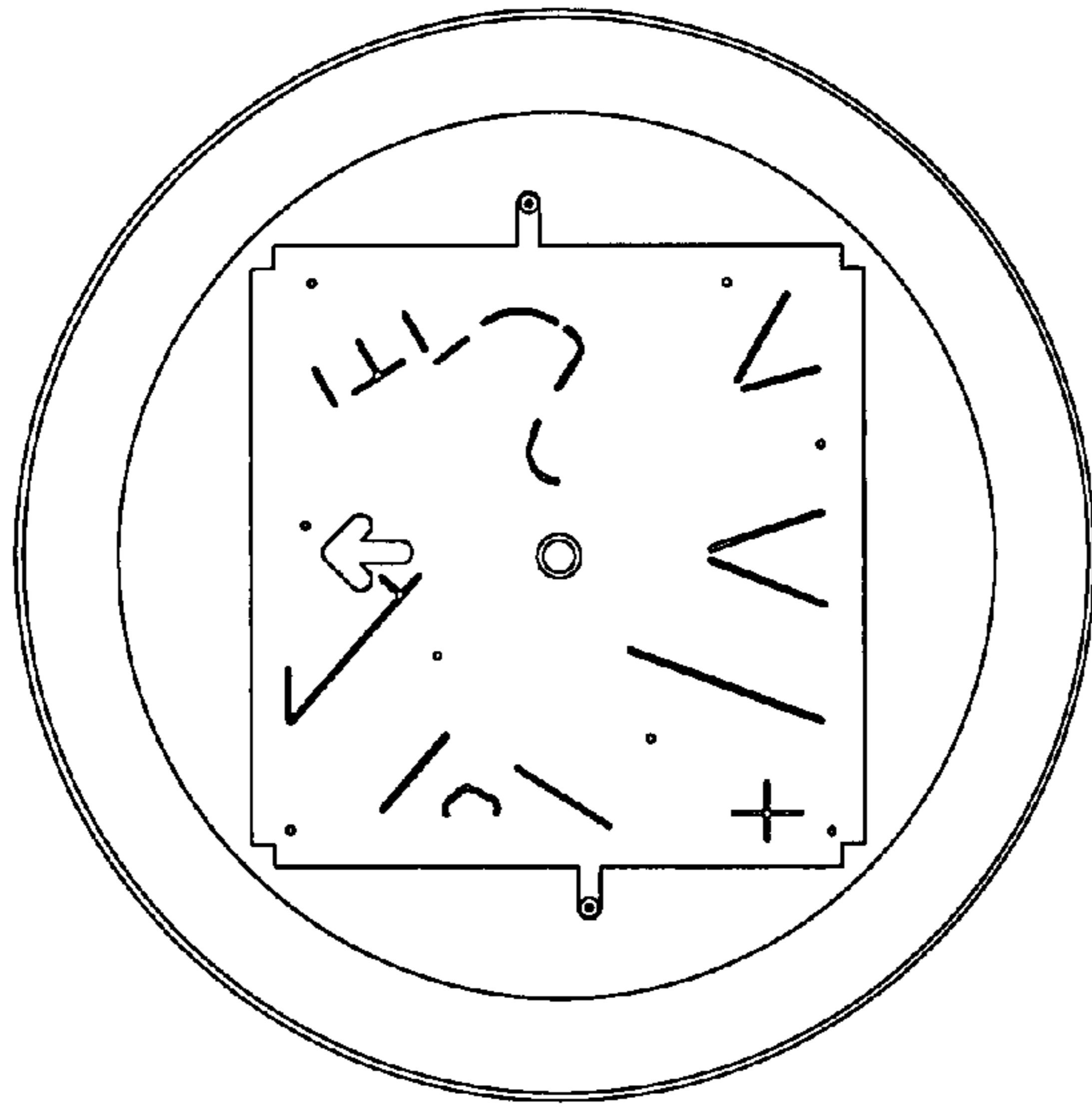


Figure 25.

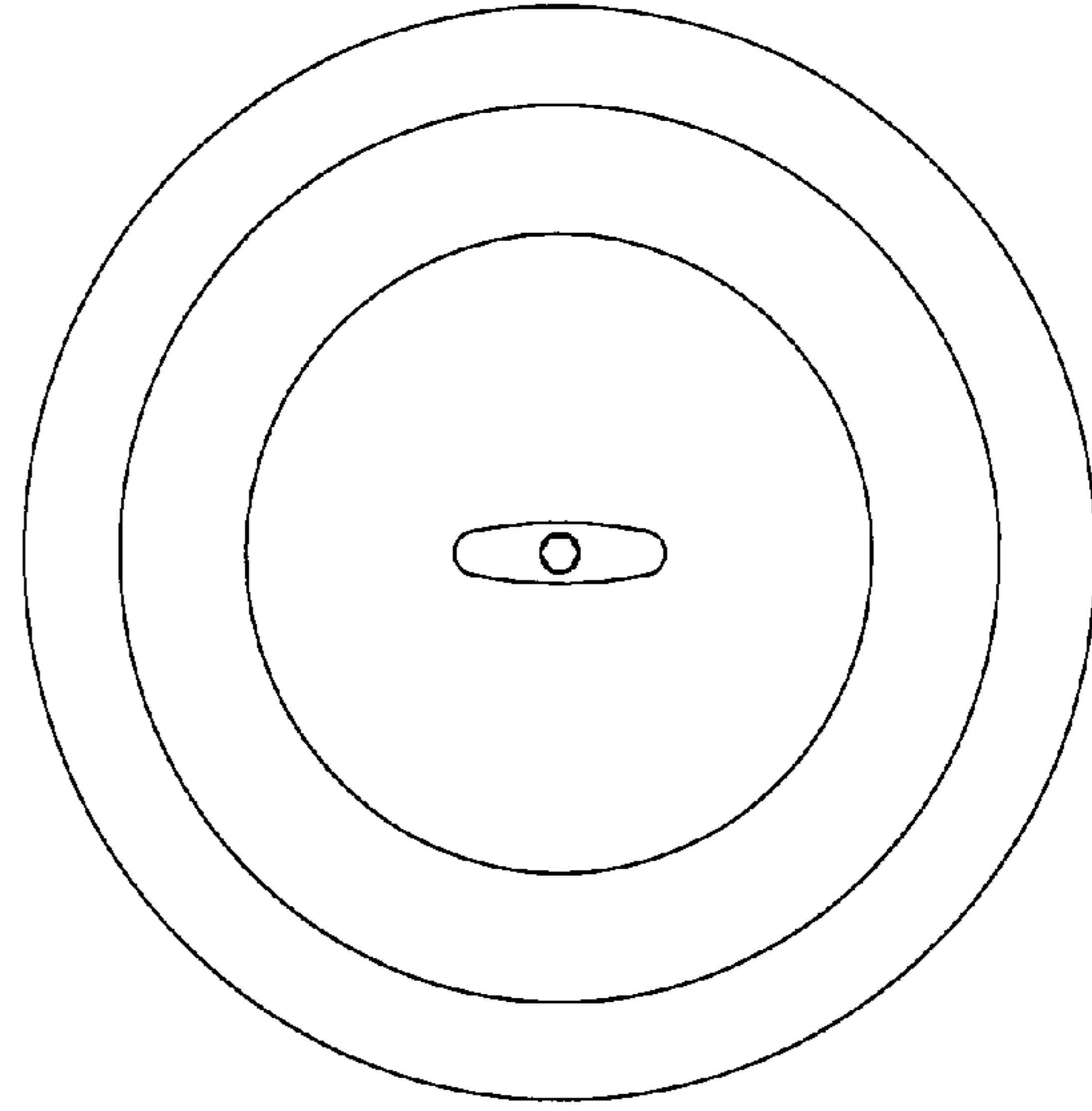


Figure 26.

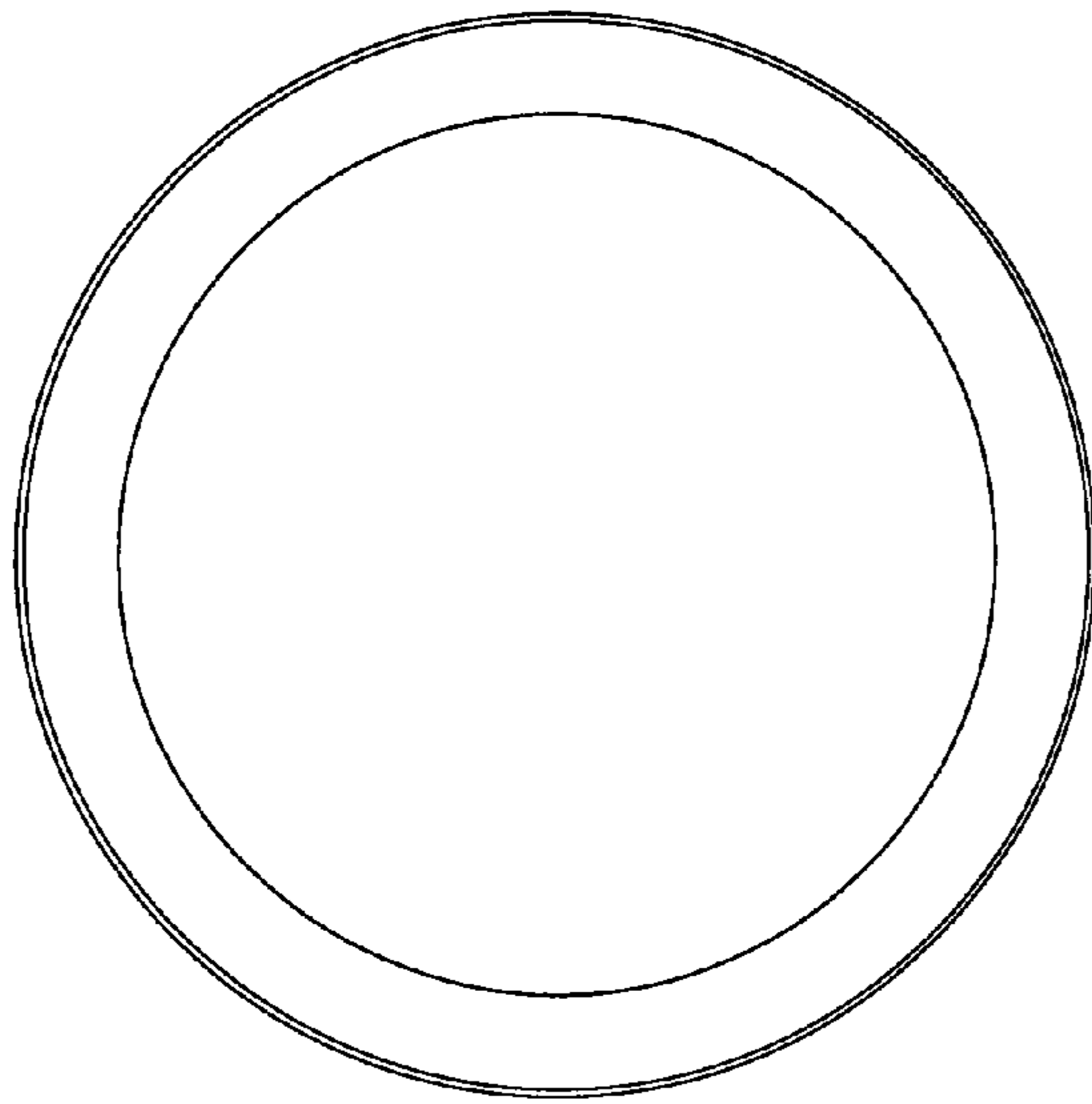


Figure 27.

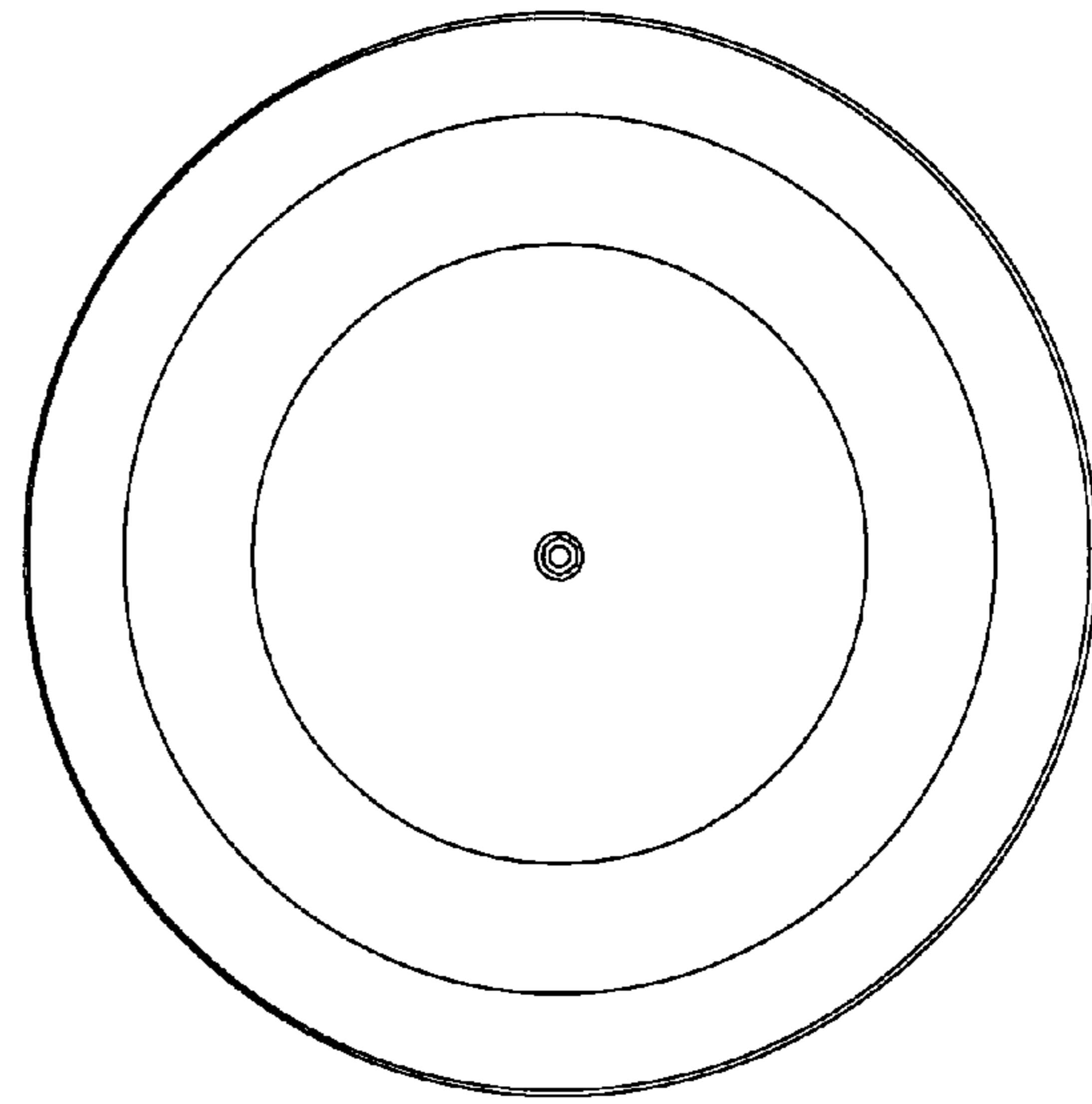


Figure 28.