



US00D555771S

(12) **United States Design Patent**
Noth et al.

(10) **Patent No.:** **US D555,771 S**

(45) **Date of Patent:** **** Nov. 20, 2007**

(54) **MIXER TAP FOR A SINK**

D466,977 S * 12/2002 Cummings D23/238

D513,060 S * 12/2005 Ouyoung D23/238

(75) Inventors: **Winfried Noth**, Schwäbisch-Gmünd (DE); **Werner Egli**, Hüntwangen (CH)

(73) Assignee: **ARWA AG**, Wallisellen (CH)

* cited by examiner

(**) Term: **14 Years**

Primary Examiner—Louis S. Zarfaz

Assistant Examiner—Gregory Andoll

(21) Appl. No.: **29/262,579**

(74) *Attorney, Agent, or Firm*—Sughrue Mion, PLLC

(22) Filed: **Jul. 7, 2006**

(57) **CLAIM**

(30) **Foreign Application Priority Data**

The ornamental design for a mixer tap for a sink, as shown.

Jan. 9, 2006 (WO) DM/067 335

(51) **LOC (8) Cl.** **23-01**

(52) **U.S. Cl.** **D23/238**

(58) **Field of Classification Search** D23/238–257;
4/675–678; 137/801

See application file for complete search history.

DESCRIPTION

FIG. 1 is a perspective view of the top, front and right side of a mixer tap for a sink showing our new design;

FIG. 2 is a front elevational view thereof;

FIG. 3 is a left side view thereof; and,

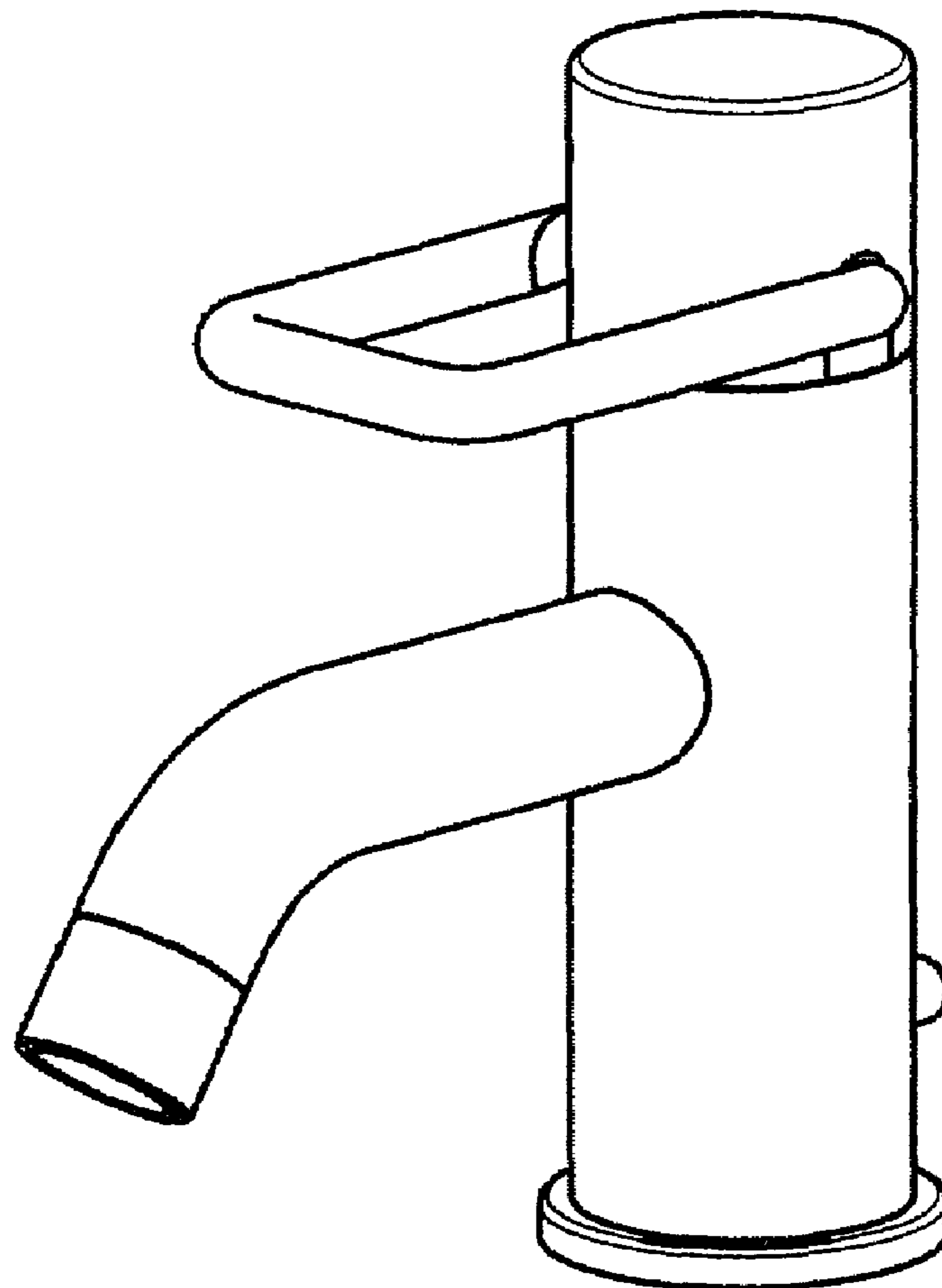
FIG. 4 is a top plan view thereof.

(56) **References Cited**

U.S. PATENT DOCUMENTS

D291,232 S * 8/1987 Haug et al. D23/238

1 Claim, 1 Drawing Sheet



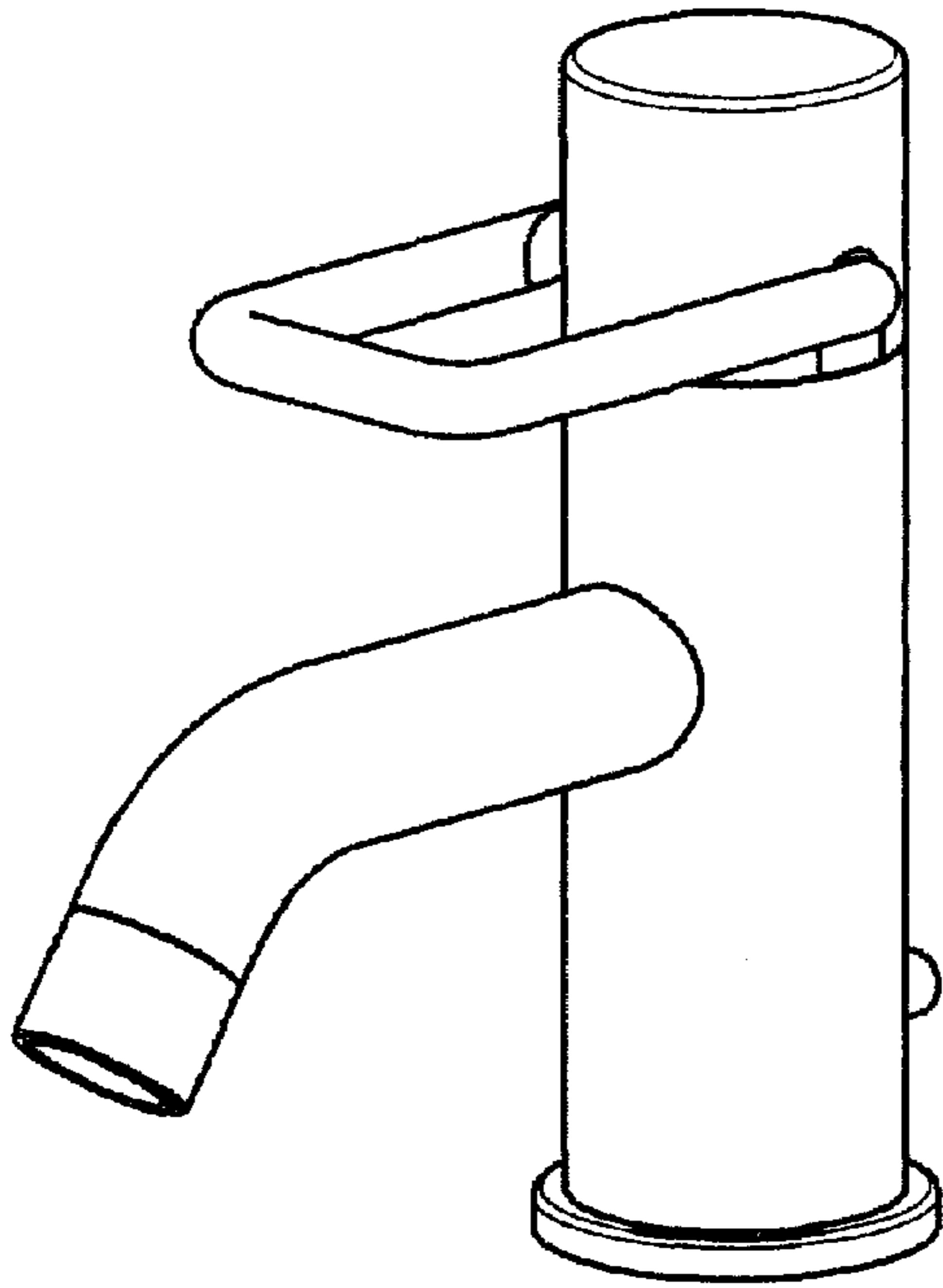


FIG. 1

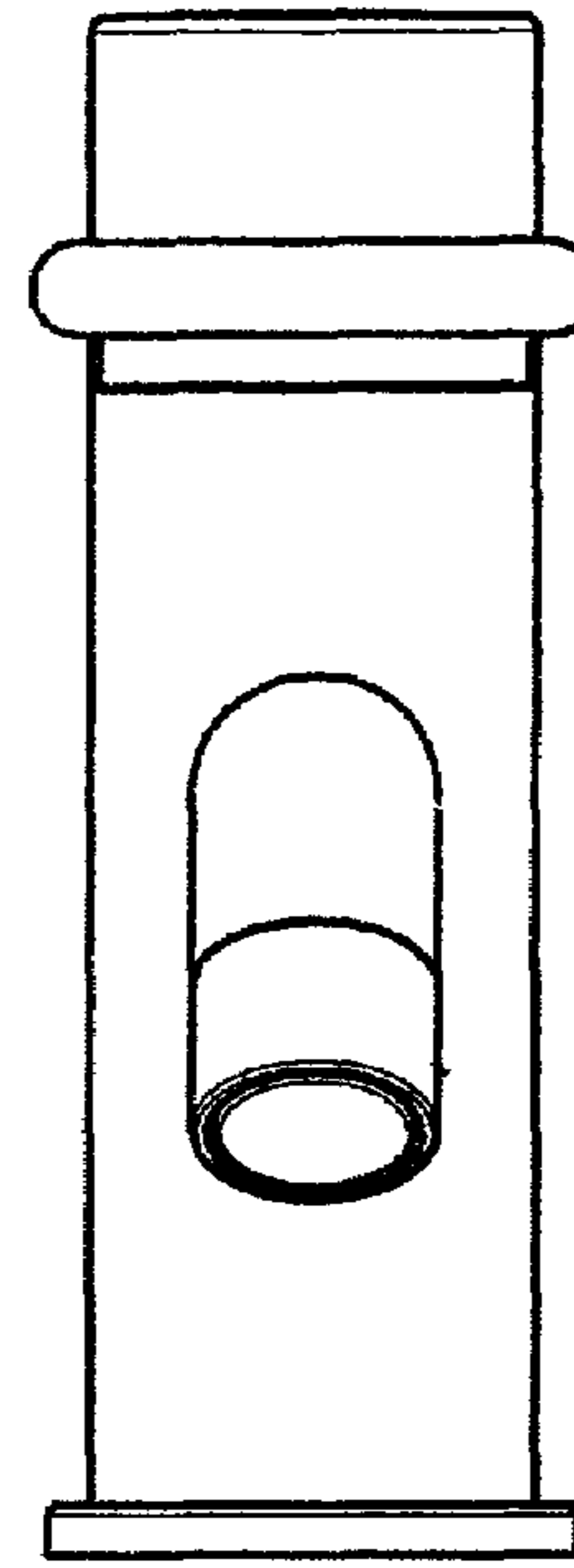


FIG. 2

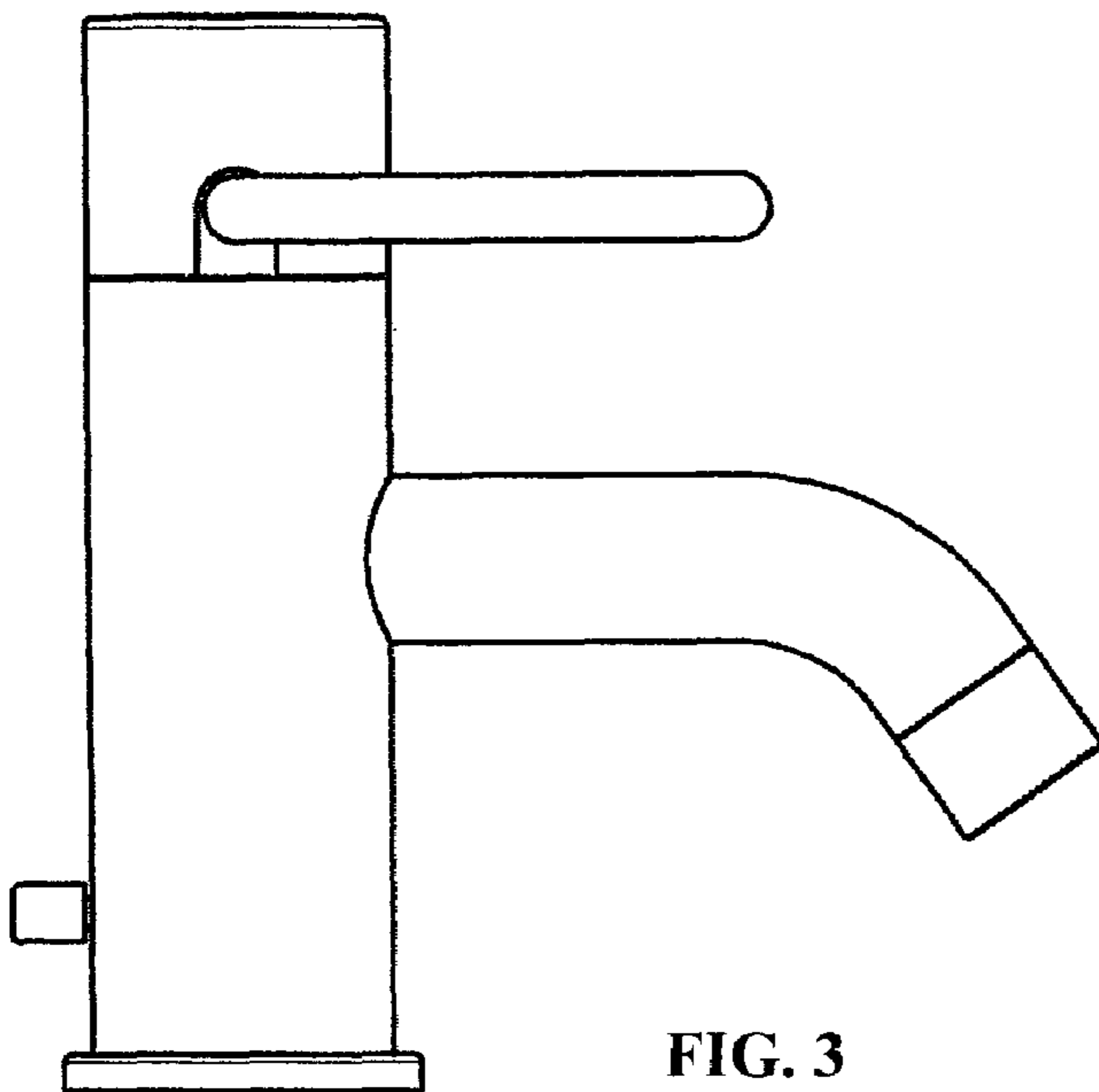


FIG. 3

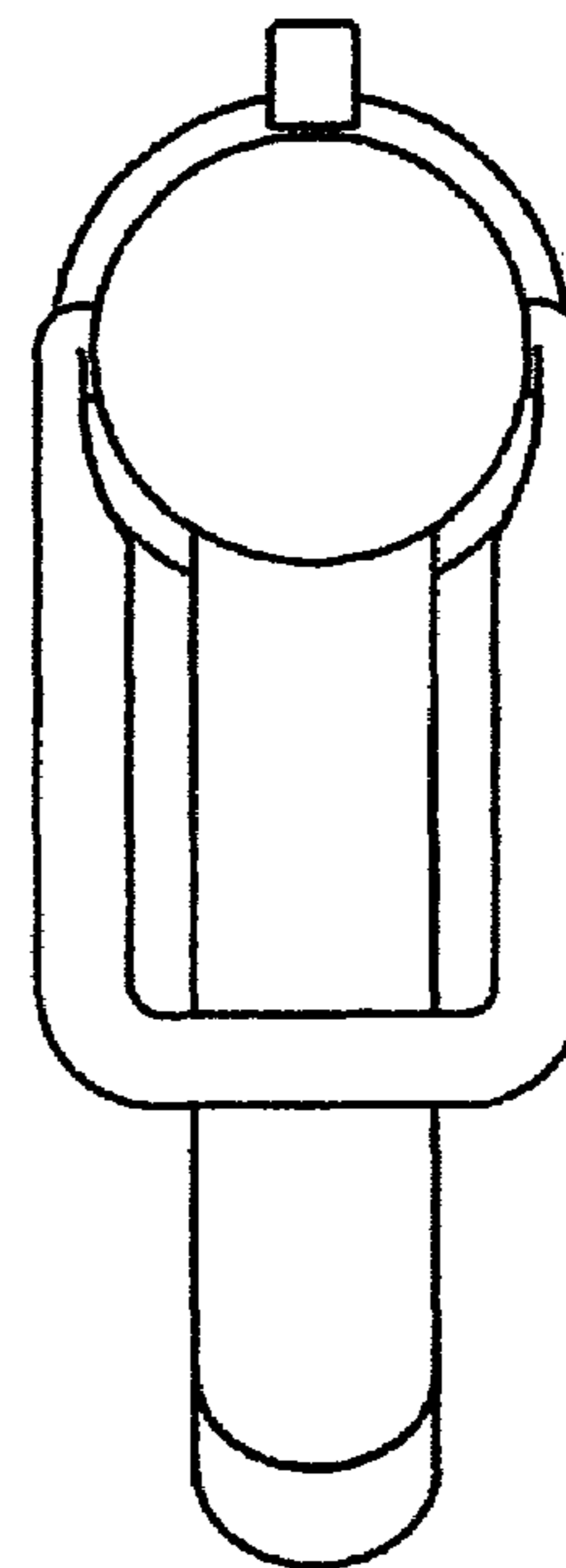


FIG. 4