



US00D555770S

(12) **United States Design Patent**
Bélisle

(10) **Patent No.:** **US D555,770 S**

(45) **Date of Patent:** **** Nov. 20, 2007**

(54) **OVAL FAUCET**

(75) Inventor: **Mario Bélisle**, St-Jérôme (CA)

(73) Assignee: **Riobel Inc.** (CA)

(**) Term: **14 Years**

(21) Appl. No.: **29/250,318**

(22) Filed: **Nov. 9, 2006**

(51) **LOC (8) Cl.** **23-01**

(52) **U.S. Cl.** **D23/238**

(58) **Field of Classification Search** D23/238-257;
4/675-678; 137/801

See application file for complete search history.

(56) **References Cited**

U.S. PATENT DOCUMENTS

- D217,670 S * 5/1970 Rowlands D23/238
- D481,104 S * 10/2003 Wettstein et al. D23/238
- D517,647 S * 3/2006 Kulig D23/238

* cited by examiner

Primary Examiner—Louis S. Zarfas

Assistant Examiner—Gregory Andoll

(74) *Attorney, Agent, or Firm*—McGlew and Tuttle, PC

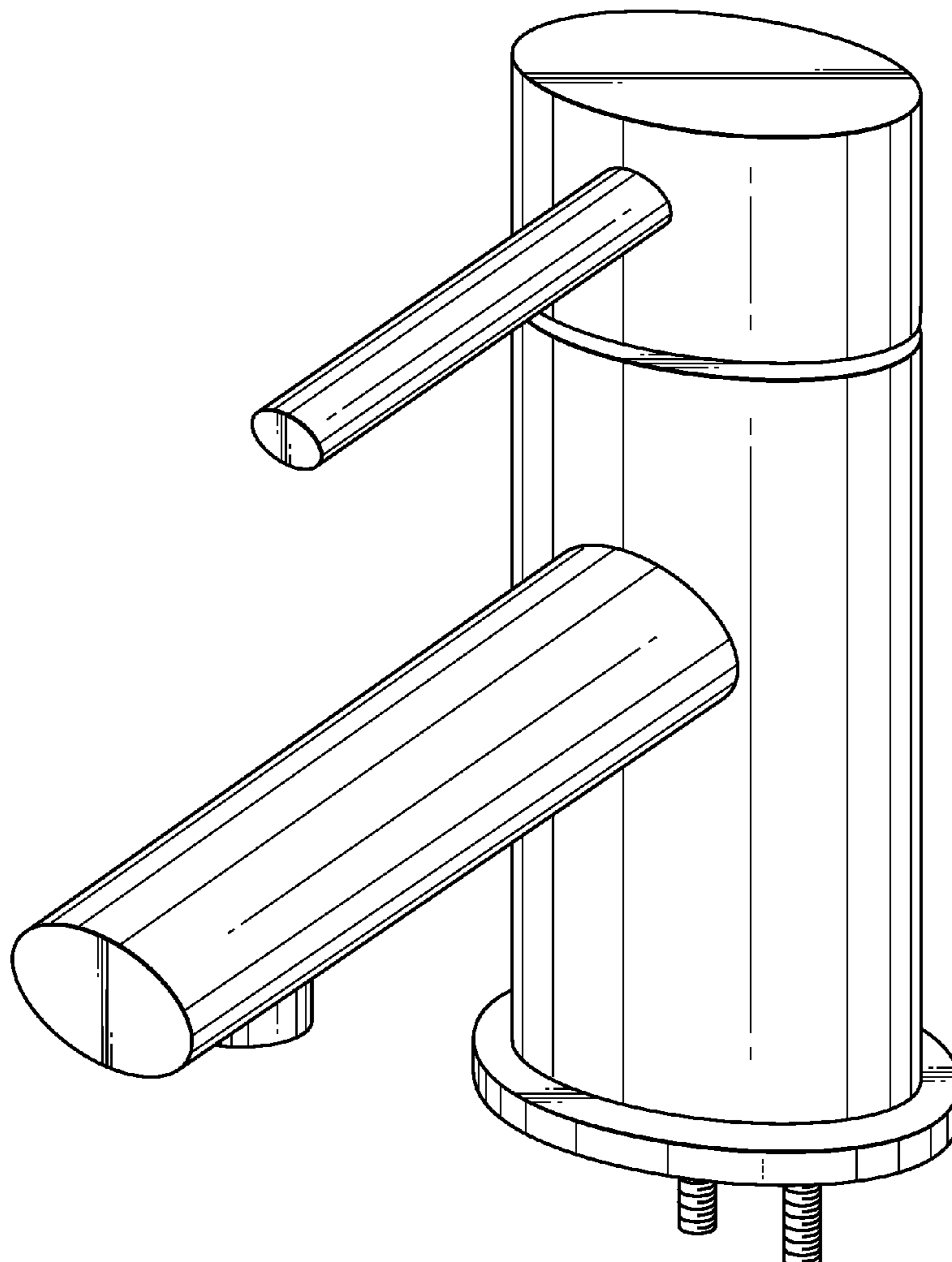
(57) **CLAIM**

The ornamental design for a oval faucet, as shown and described.

DESCRIPTION

FIG. 1 is an isometric view of my new oval faucet design;
 FIG. 2 is a front elevation view thereof,
 FIG. 3 is a rear elevation view thereof;
 FIG. 4 is a top view thereof;
 FIG. 5 is a left side view thereof; and,
 FIG. 6 is a right side view thereof.

1 Claim, 6 Drawing Sheets



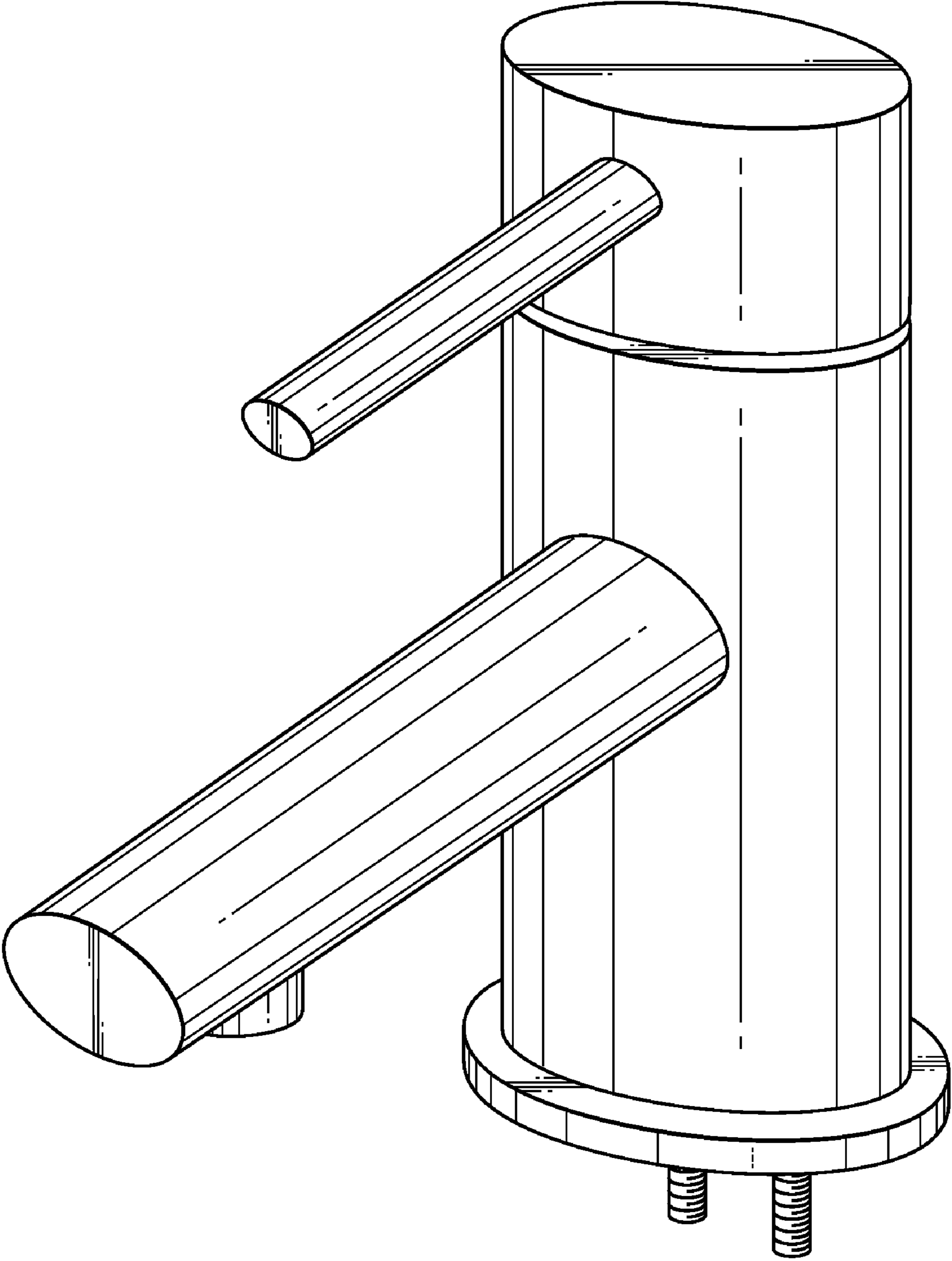


FIG. 1

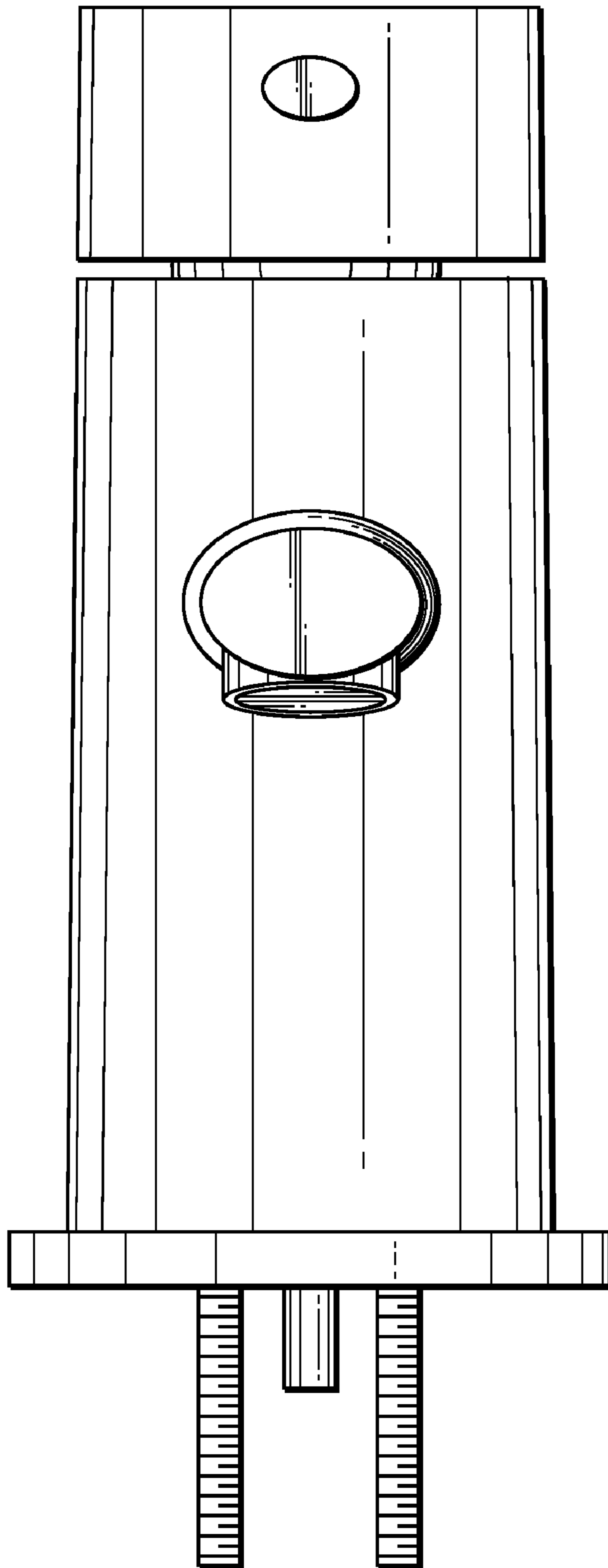


FIG. 2

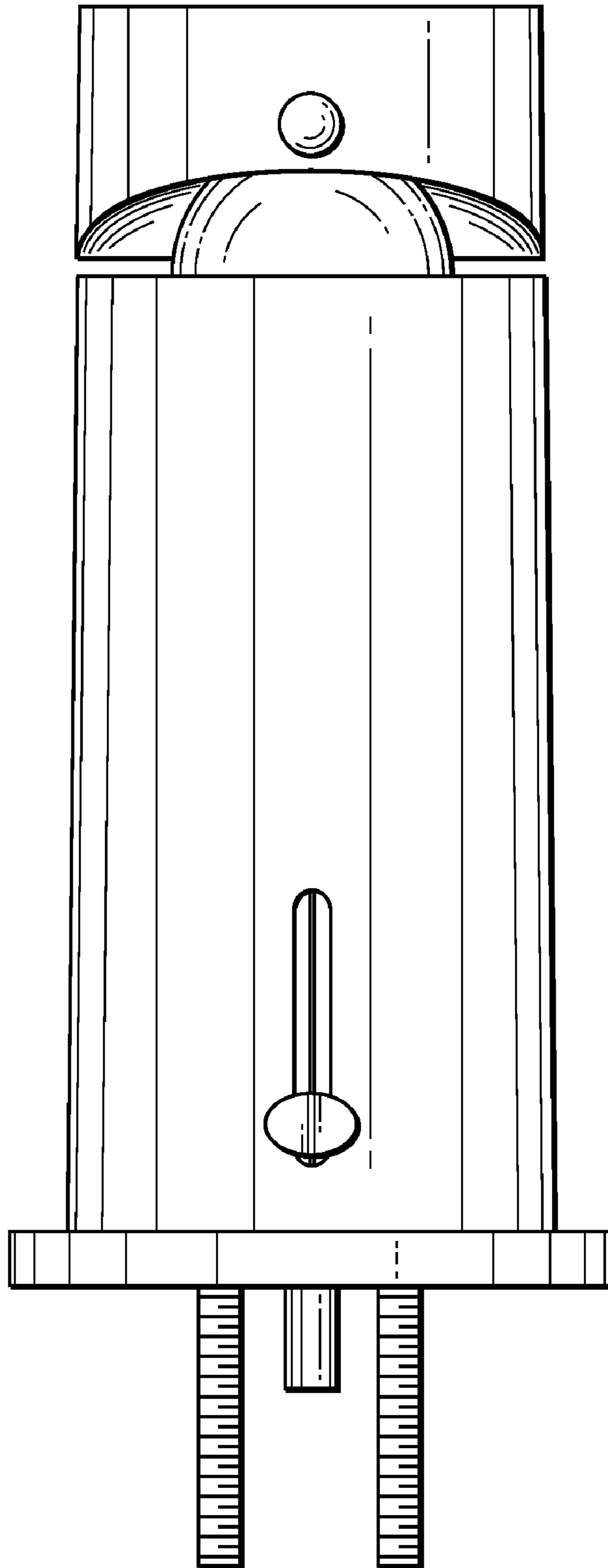


FIG. 3

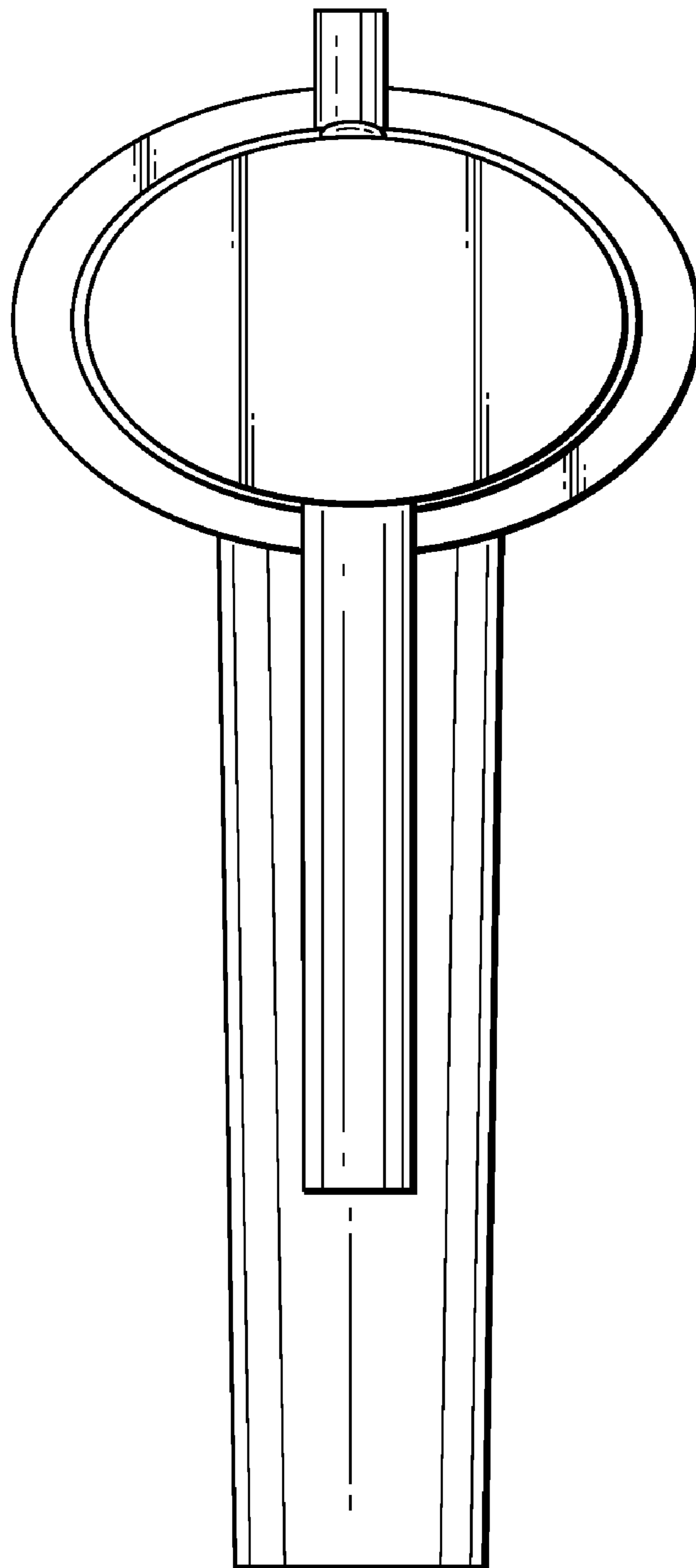


FIG. 4

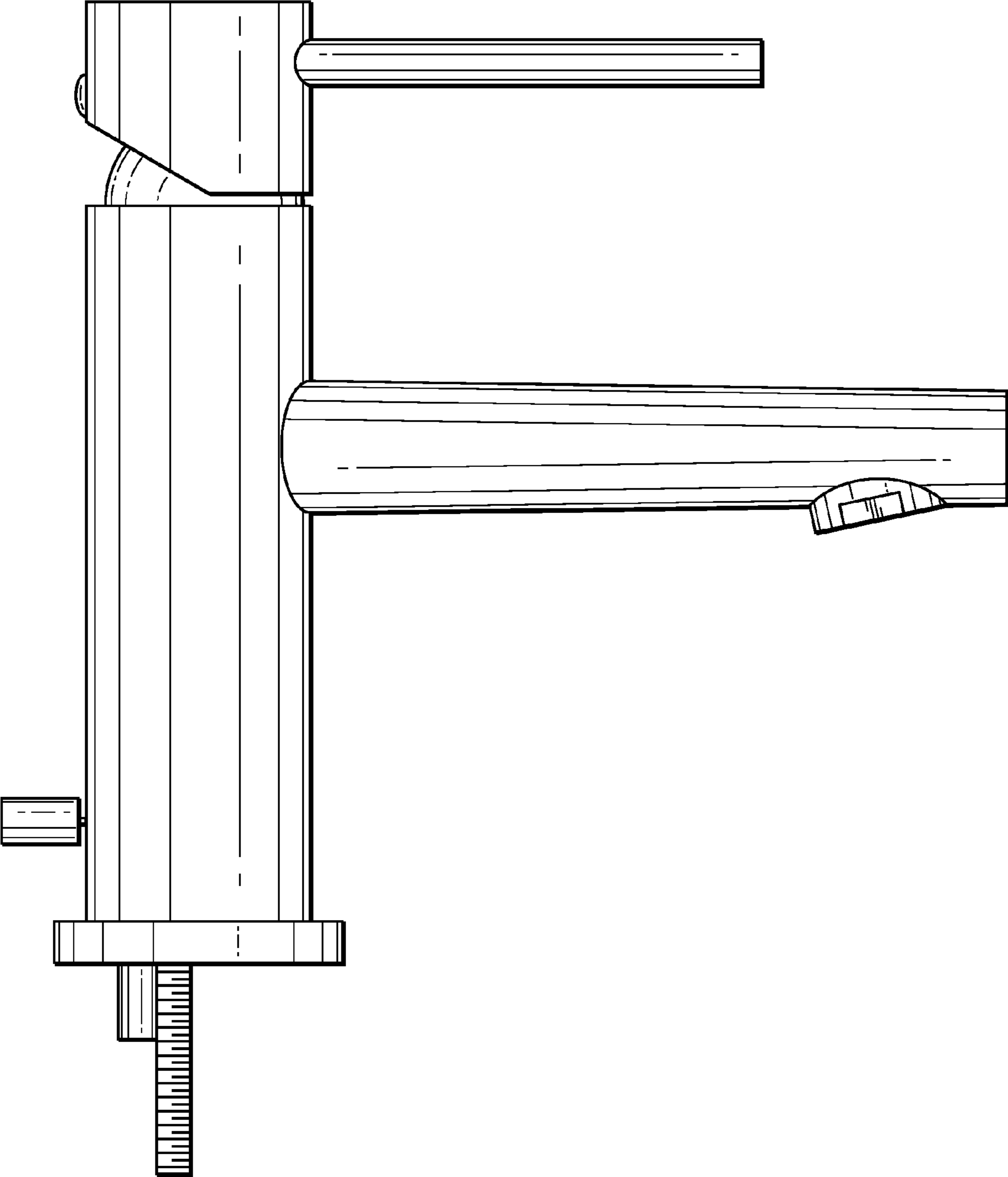


FIG. 5

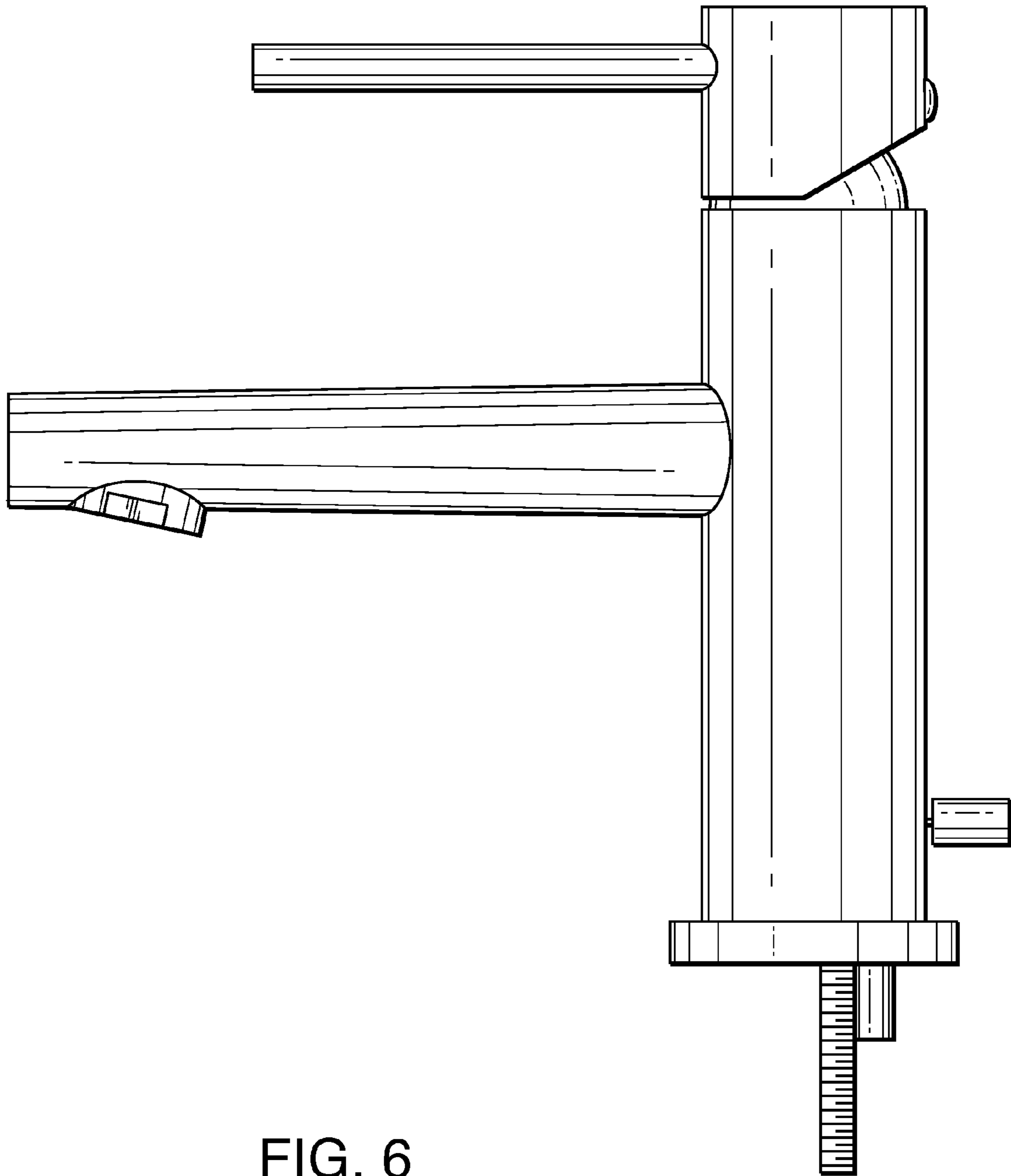


FIG. 6