



US00D555769S

(12) **United States Design Patent**
Lee

(10) **Patent No.:** **US D555,769 S**
(45) **Date of Patent:** **** Nov. 20, 2007**

(54) **SHOWER HEAD**

D531,261 S * 10/2006 Tse D23/213

(75) Inventor: **Chin-Tsai Lee**, Chang Hua Hsien (TW)

* cited by examiner

(73) Assignee: **Ching Shenger Co., Ltd.**, Chang Hua Hsien (TW)

Primary Examiner—Robin V. Webster
(74) *Attorney, Agent, or Firm*—Alan Kamrath; Kamrath & Associates PA

(**) Term: **14 Years**

(21) Appl. No.: **29/248,436**

(22) Filed: **Aug. 16, 2006**

(51) **LOC (8) Cl.** **23-01**

(52) **U.S. Cl.** **D23/229**

(58) **Field of Classification Search** D23/213,
D23/229–230; 239/282–283; 4/605, 615
See application file for complete search history.

(56) **References Cited**

U.S. PATENT DOCUMENTS

D507,820 S * 7/2005 Blomstrom D23/229
D511,810 S * 11/2005 Hanna D23/229
D512,764 S * 12/2005 Kohler et al. D23/229
D527,440 S * 8/2006 Macan D23/213
D530,780 S * 10/2006 Shao et al. D23/213

(57) **CLAIM**

The ornamental design for a shower head, as shown and described.

DESCRIPTION

FIG. 1 is a perspective view of a shower head showing my design;

FIG. 2 is a front shower head view thereof;

FIG. 3 is a rear shower head view thereof;

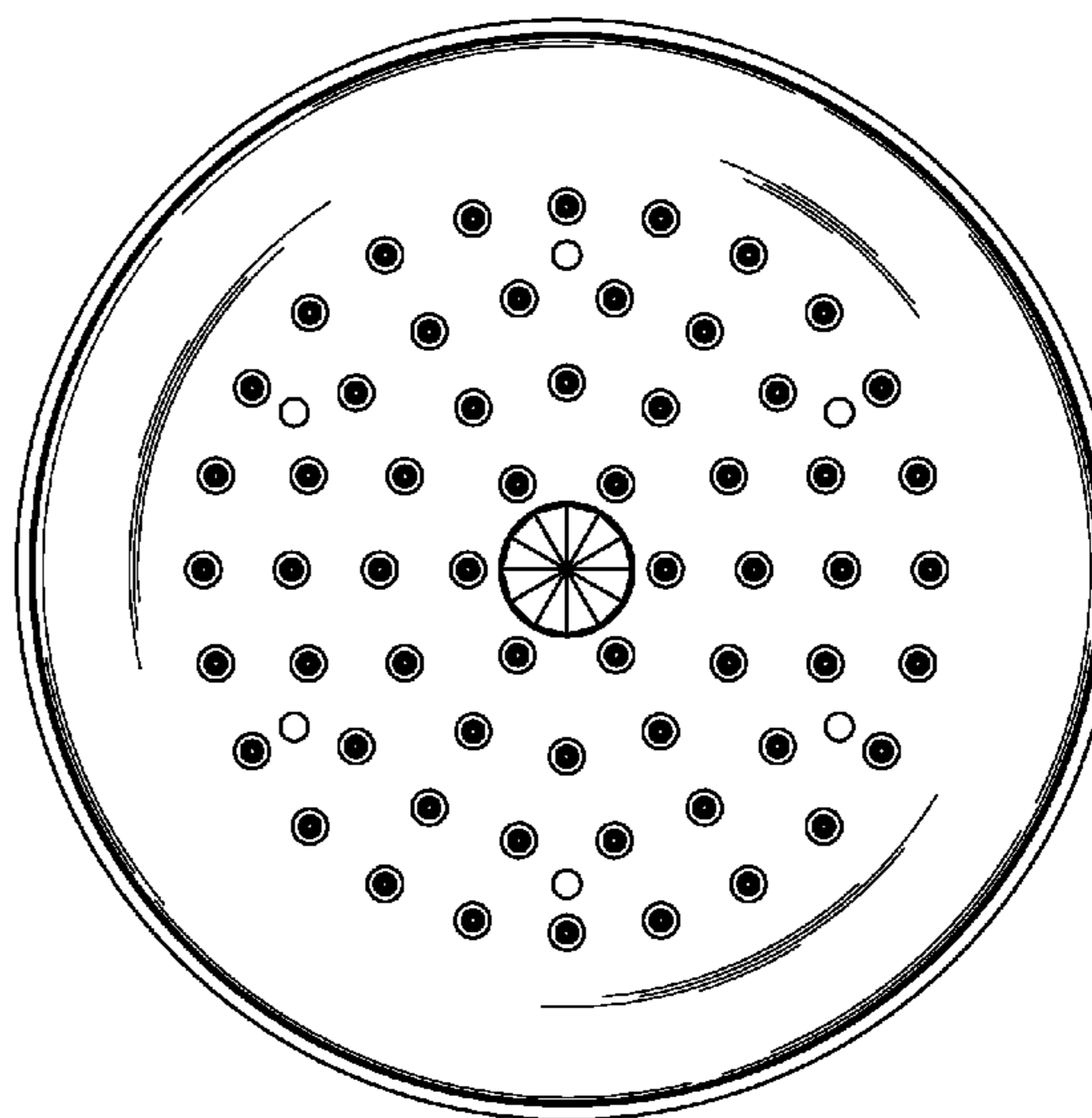
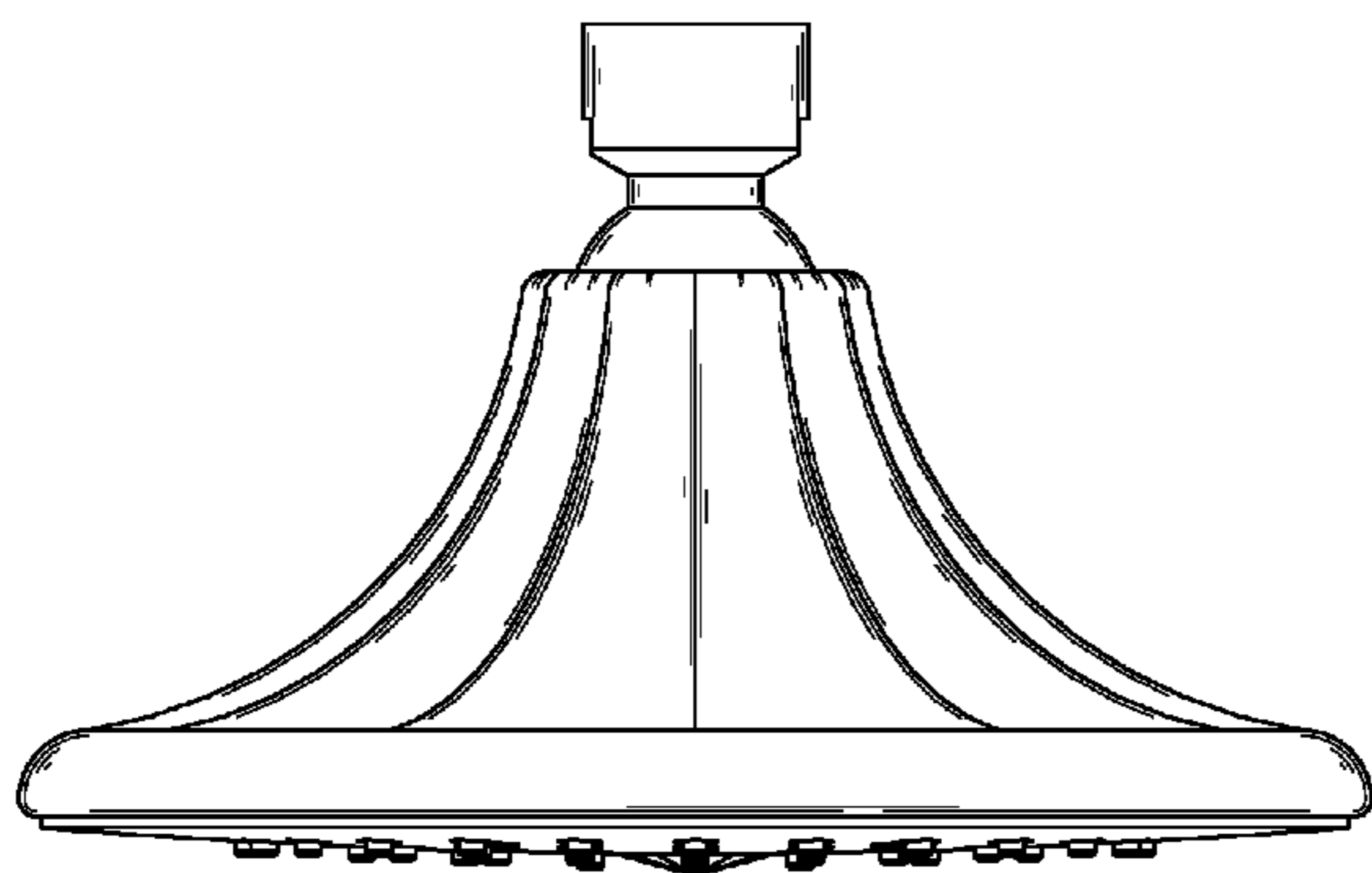
FIG. 4 is a left side shower head view thereof;

FIG. 5 is a right side shower head view thereof;

FIG. 6 is a top plan view thereof; and,

FIG. 7 is a bottom plan view thereof.

1 Claim, 5 Drawing Sheets



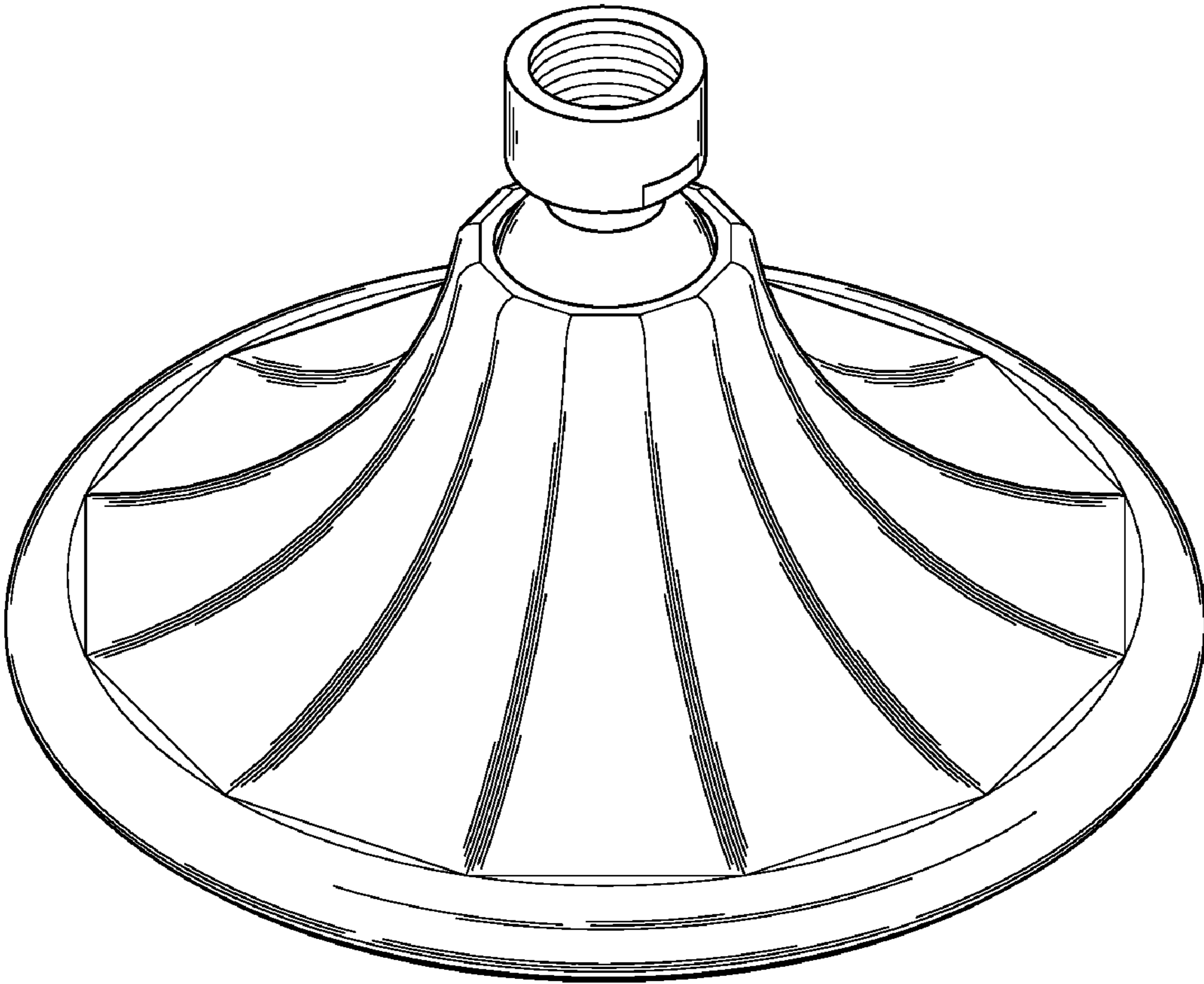


FIG. 1

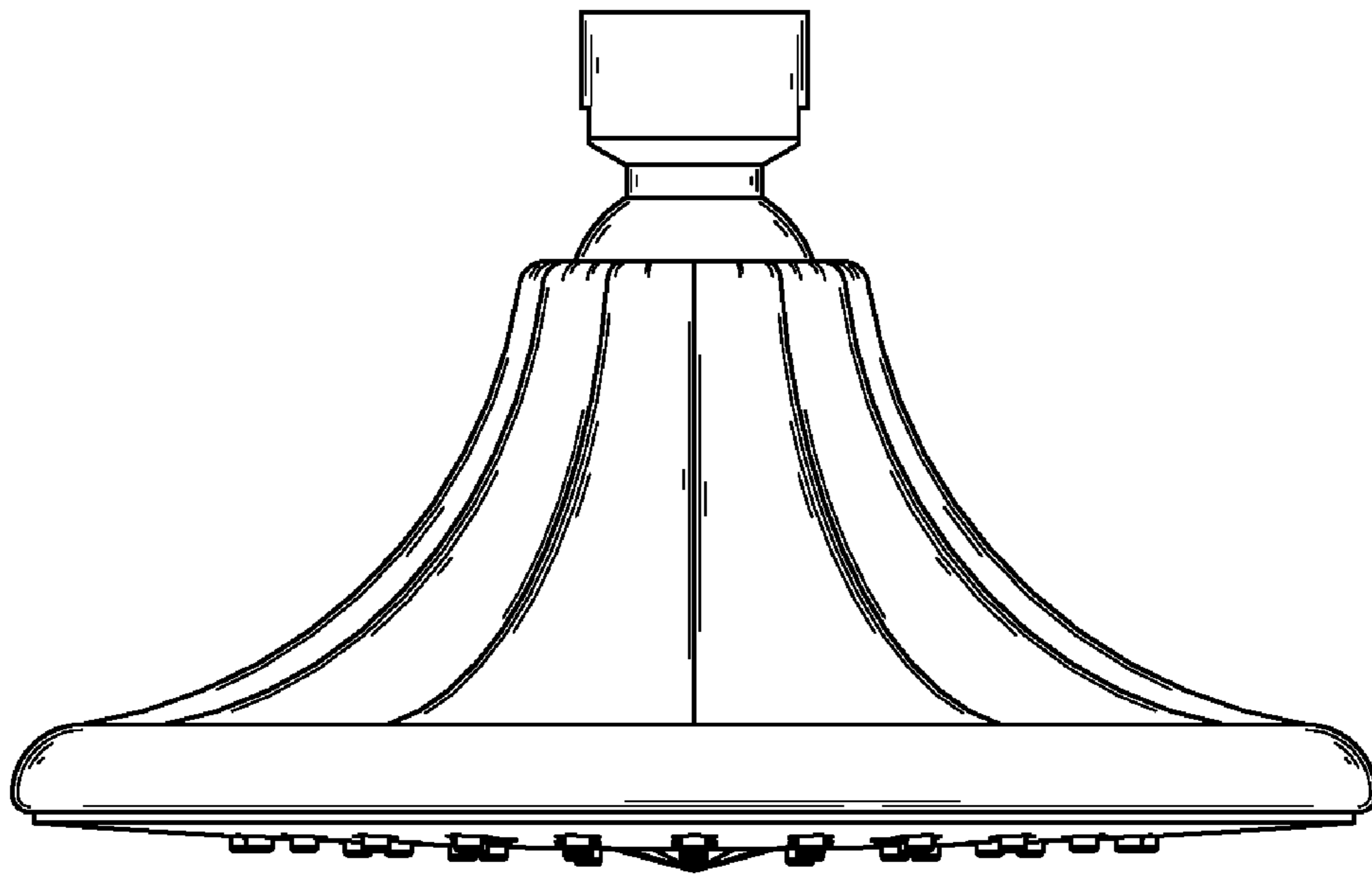


FIG. 2

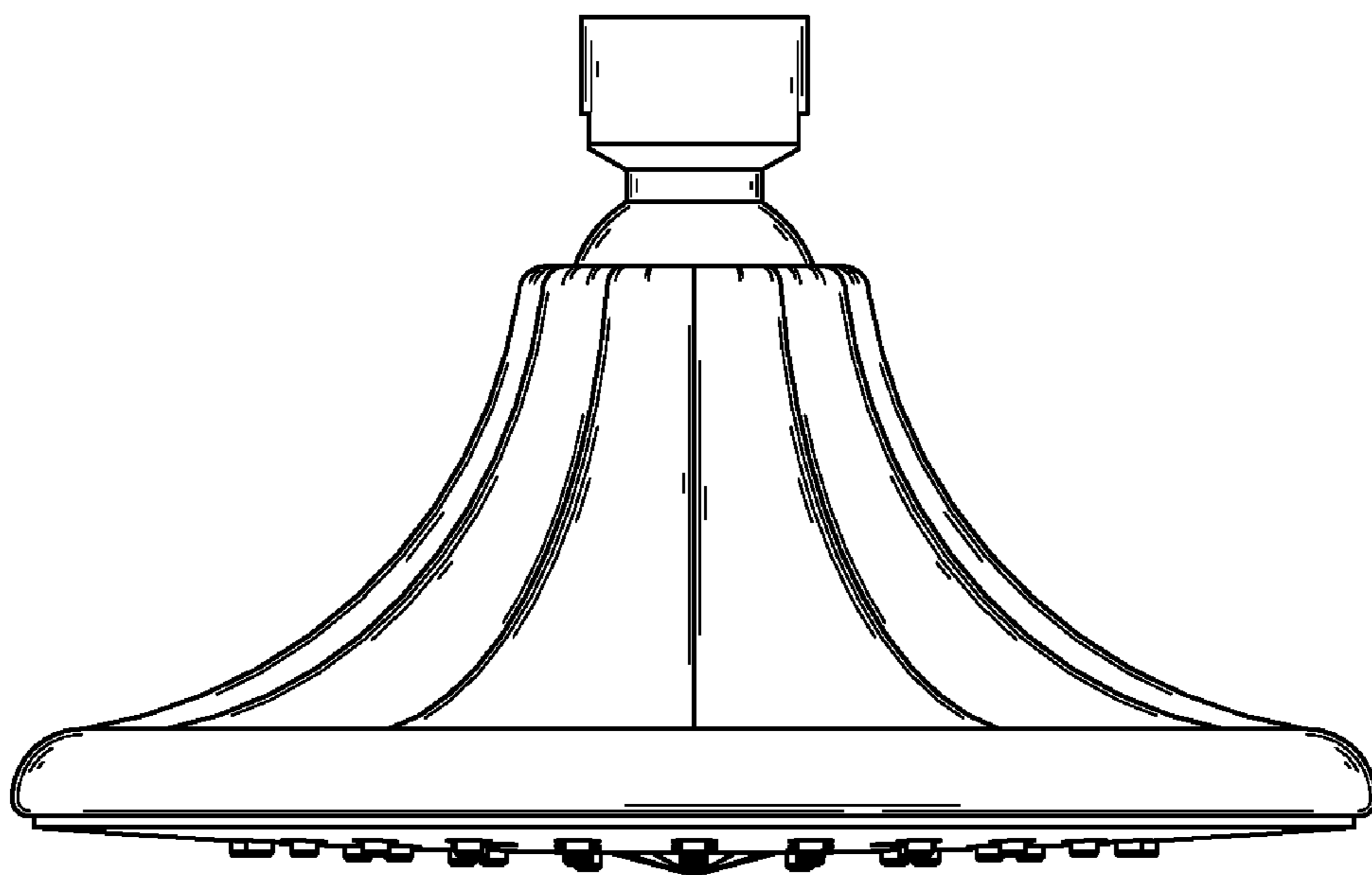


FIG. 3

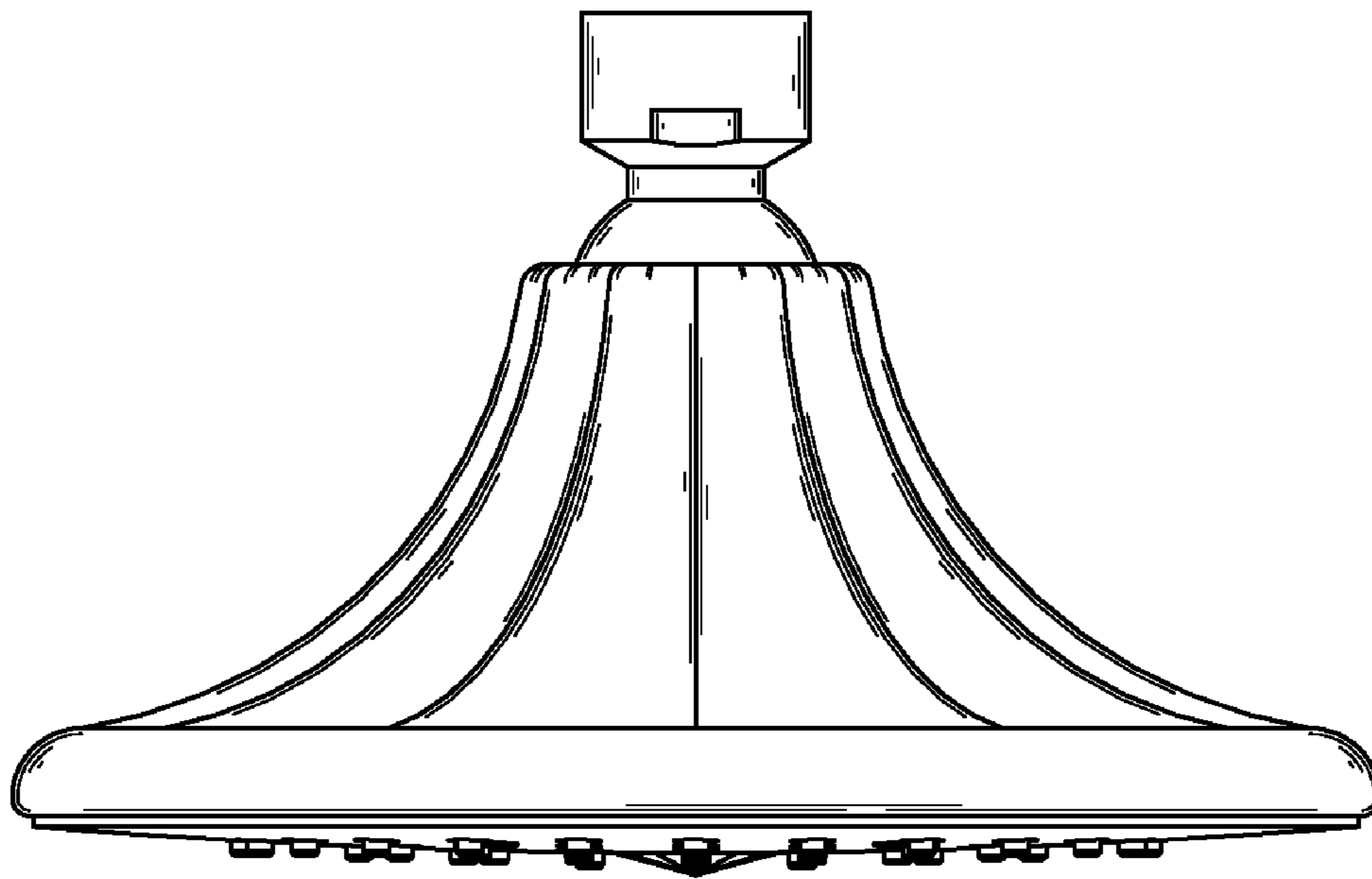


FIG. 4

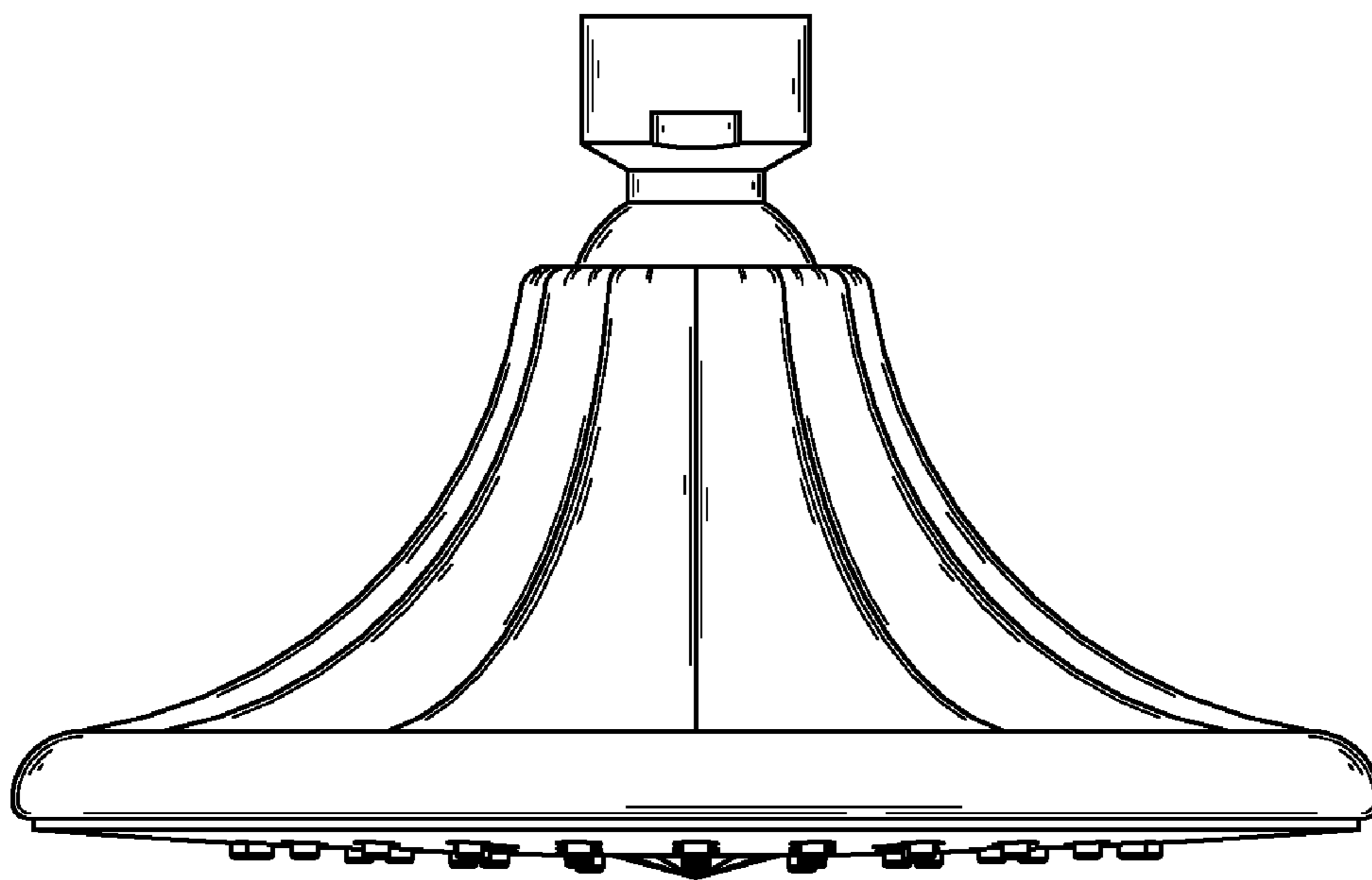


FIG. 5

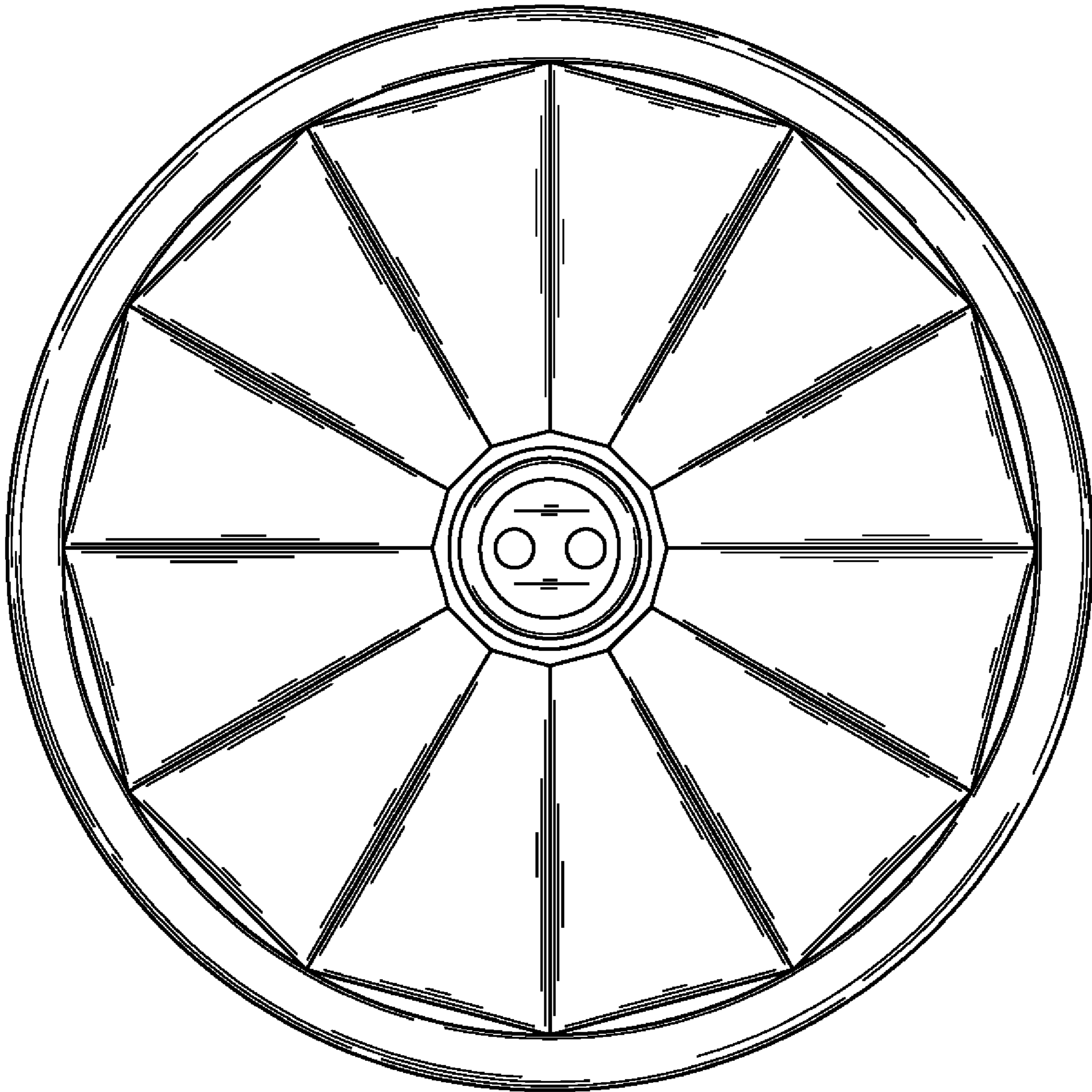


FIG. 6

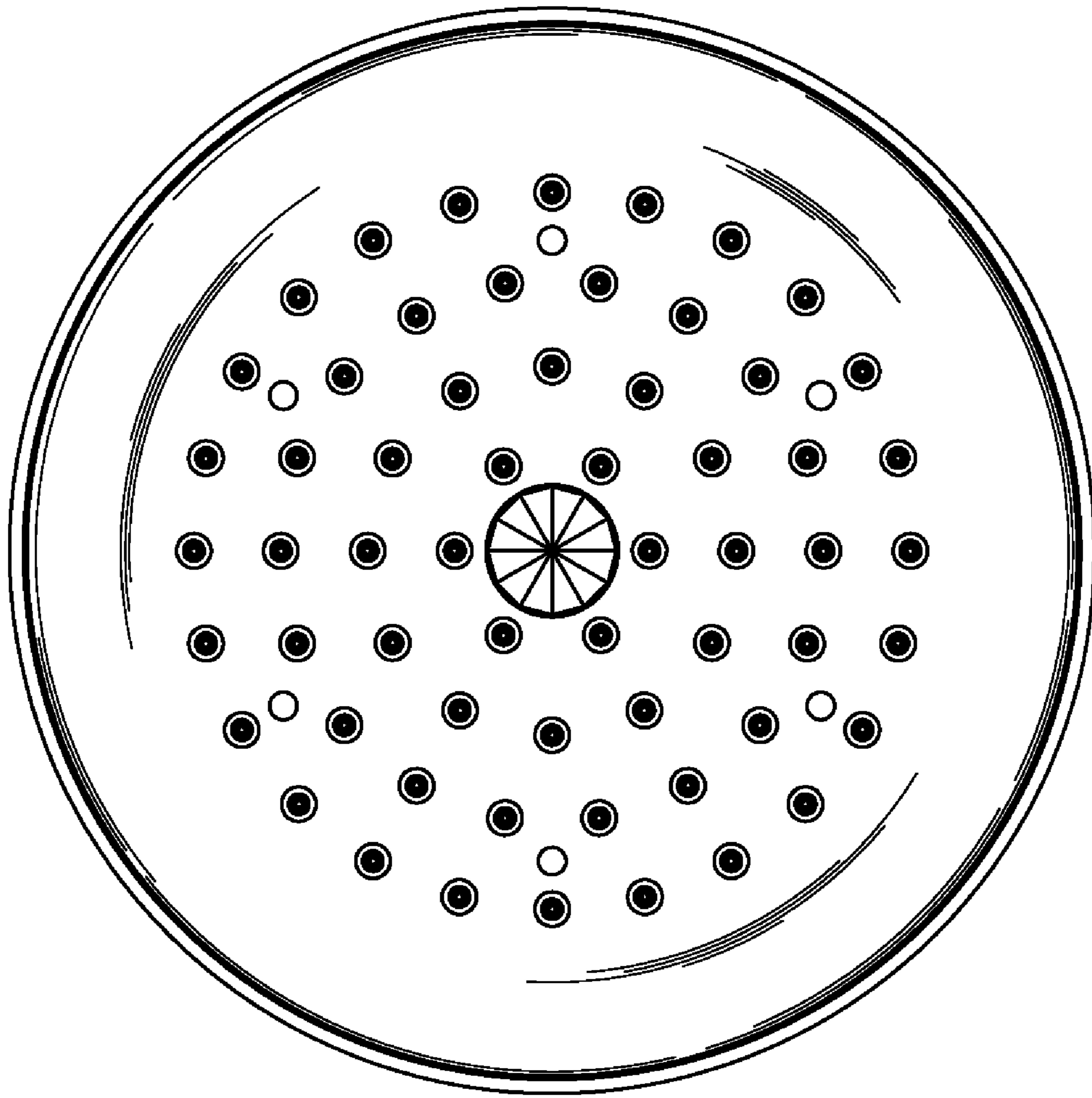


FIG. 7