



US00D555768S

(12) **United States Design Patent** (10) **Patent No.:** **US D555,768 S**
Nobili (45) **Date of Patent:** **** Nov. 20, 2007**

(54) **SHOWER HEAD**

(76) Inventor: **Fabrizio Nobili**, Zona Industriale, San Vittore (CH) CH-6534

(**) Term: **14 Years**

(21) Appl. No.: **29/277,189**

(22) Filed: **Feb. 16, 2007**

Related U.S. Application Data

(62) Division of application No. 29/240,121, filed on Oct. 11, 2005.

(30) **Foreign Application Priority Data**

Apr. 25, 2005 (EP) 000334123

(51) **LOC (8) Cl.** **23-01**

(52) **U.S. Cl.** **D23/226**

(58) **Field of Classification Search** D23/213,
D23/223, 226; 239/525-527, 282-283
See application file for complete search history.

(56) **References Cited**

U.S. PATENT DOCUMENTS

4,107,046 A	8/1978	Corder	210/282
4,162,028 A	7/1979	Reichenberger	222/129.4
4,629,125 A	12/1986	Liu	239/443
5,145,114 A	9/1992	Mönch	239/126
5,467,927 A	11/1995	Lee	239/383
5,735,467 A	4/1998	Lee	239/414
5,744,033 A	4/1998	Bertrand et al.	210/282
5,823,229 A	10/1998	Bertrand et al.	137/614.2
5,858,215 A	1/1999	Burchard et al.	210/87
D416,979 S	11/1999	Bosio	
6,000,626 A	12/1999	Futo et al.	239/74

D425,177 S	5/2000	Bosio	
6,093,313 A	7/2000	Bovaird et al.	210/94
D432,623 S	10/2000	Sawhney et al.	
6,145,757 A	11/2000	Knapp	239/443
6,368,503 B1	4/2002	Williamson et al.	210/282
6,742,725 B1	6/2004	Fan	239/525
6,892,952 B2	5/2005	Chang et al.	236/12.12
D532,078 S	11/2006	Bosio	
D533,252 S	12/2006	Bosio	
2004/0164183 A1	8/2004	Nobili	239/449
2005/0161533 A1	7/2005	Nobili	239/447
2006/0016921 A1	1/2006	Nobili	239/525
2007/0018019 A1	1/2007	Nobili	239/581.1

FOREIGN PATENT DOCUMENTS

DE	28 43 666 A 1	4/1980
FR	2 683 745 A1	5/1993

Primary Examiner—Robin V. Webster
(74) *Attorney, Agent, or Firm*—Seed IP Law Group PLLC

(57) **CLAIM**

The ornamental design for a shower head, as shown and described.

DESCRIPTION

FIG. 1 is a perspective view of a shower head showing my new design.

FIG. 2 is a left side elevation view thereof.

FIG. 3 is a right side elevation view thereof.

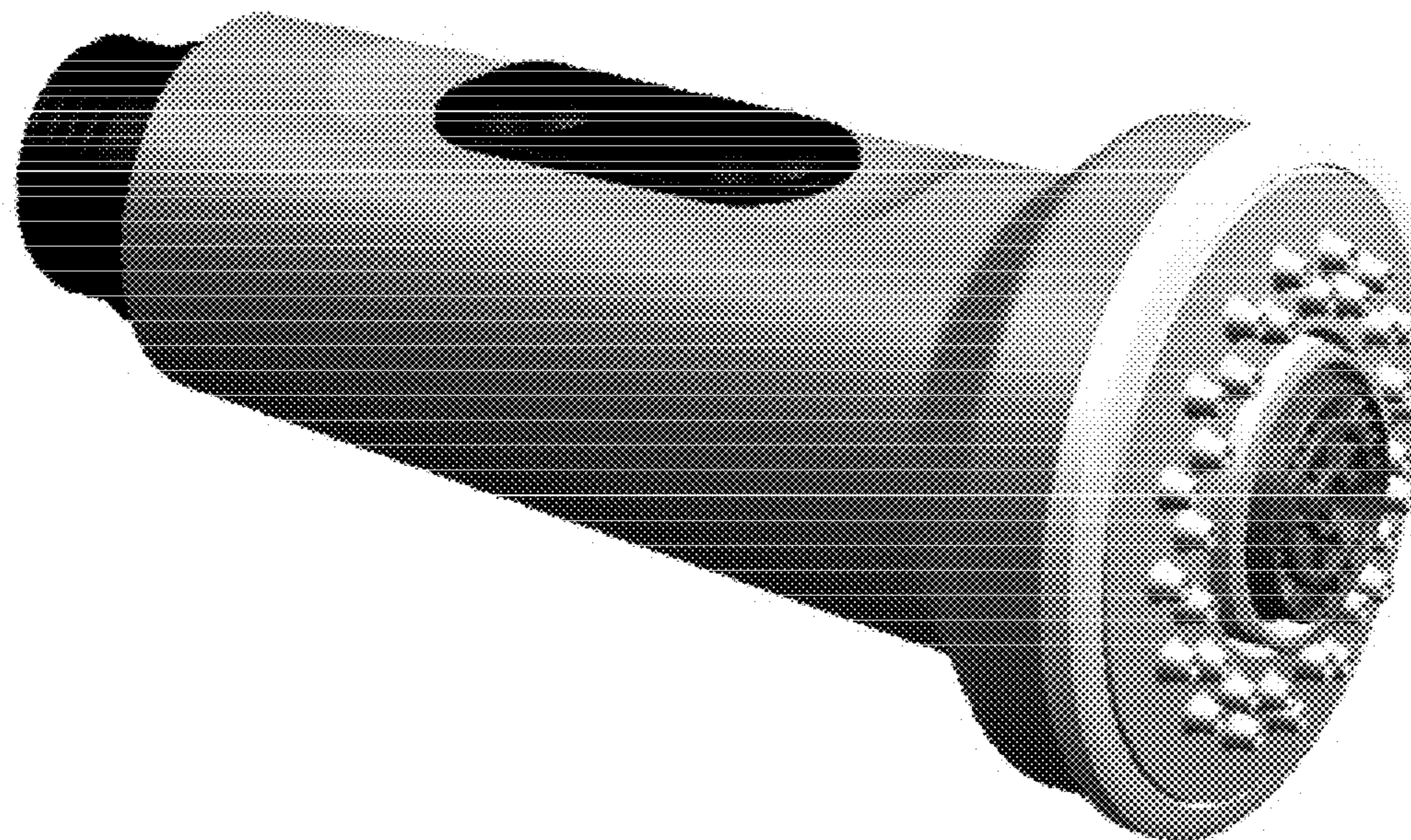
FIG. 4 is a front elevation view thereof.

FIG. 5 is a rear elevation view thereof.

FIG. 6 is a top plan view thereof; and,

FIG. 7 is a bottom plan view thereof.

1 Claim, 2 Drawing Sheets



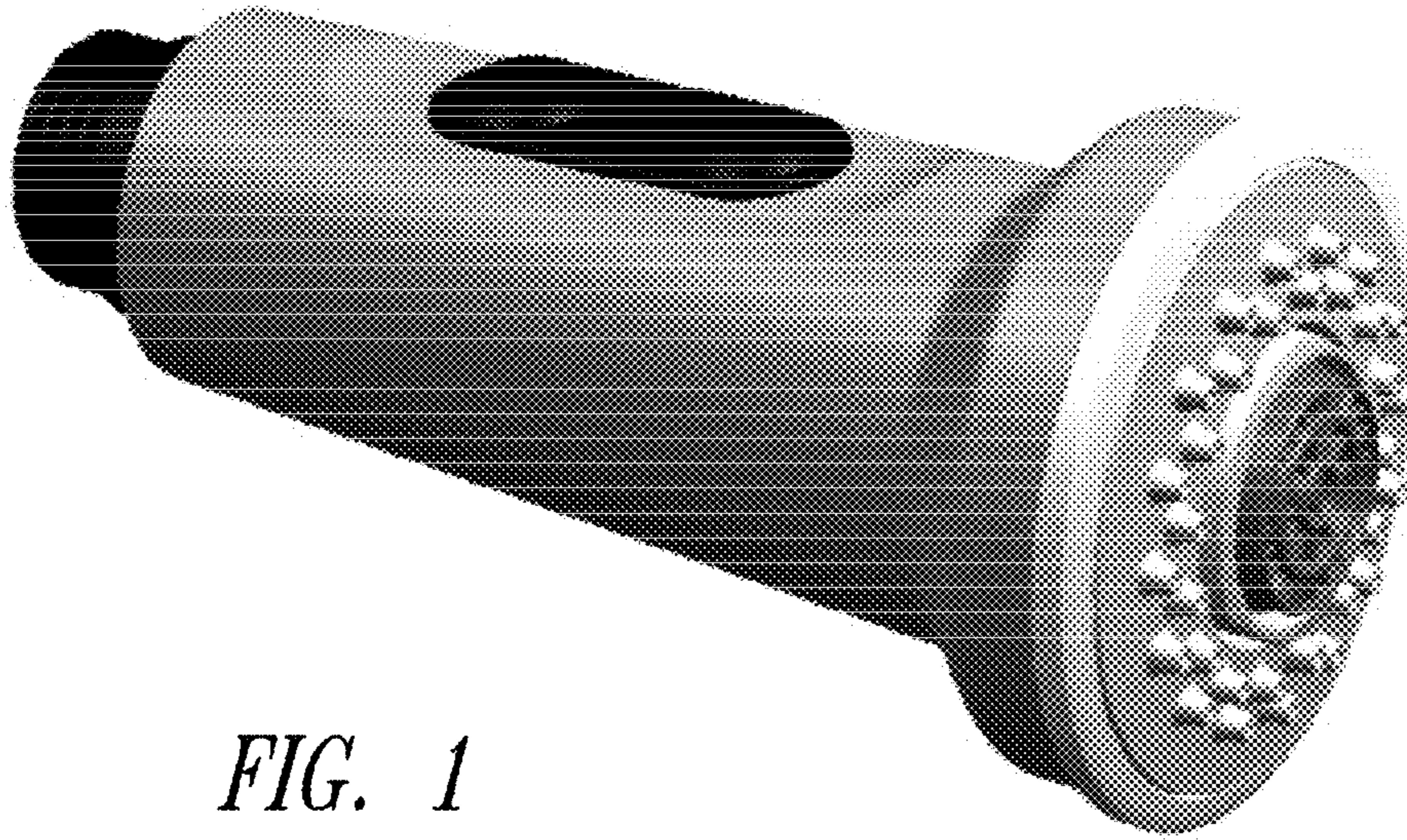


FIG. 1

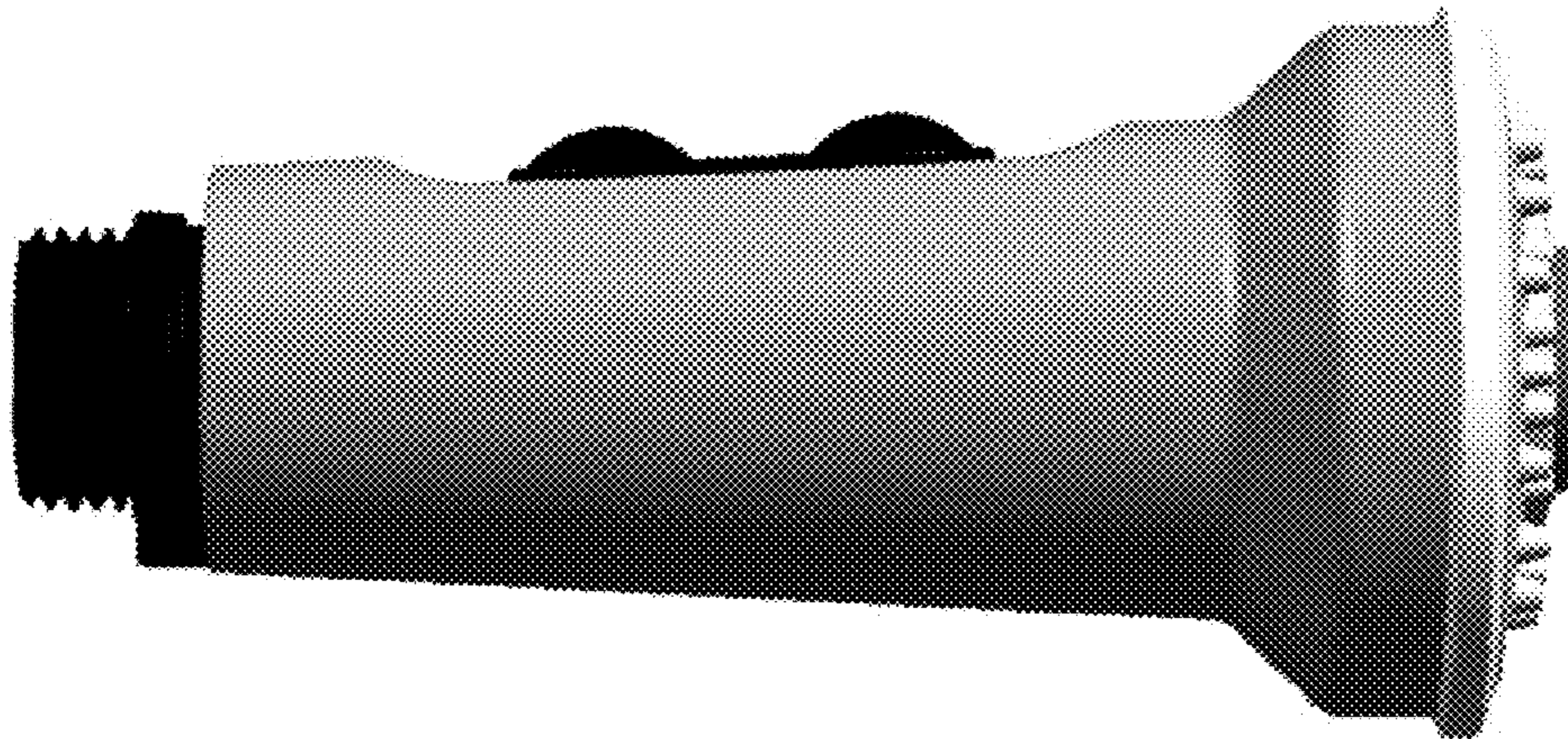


FIG. 2

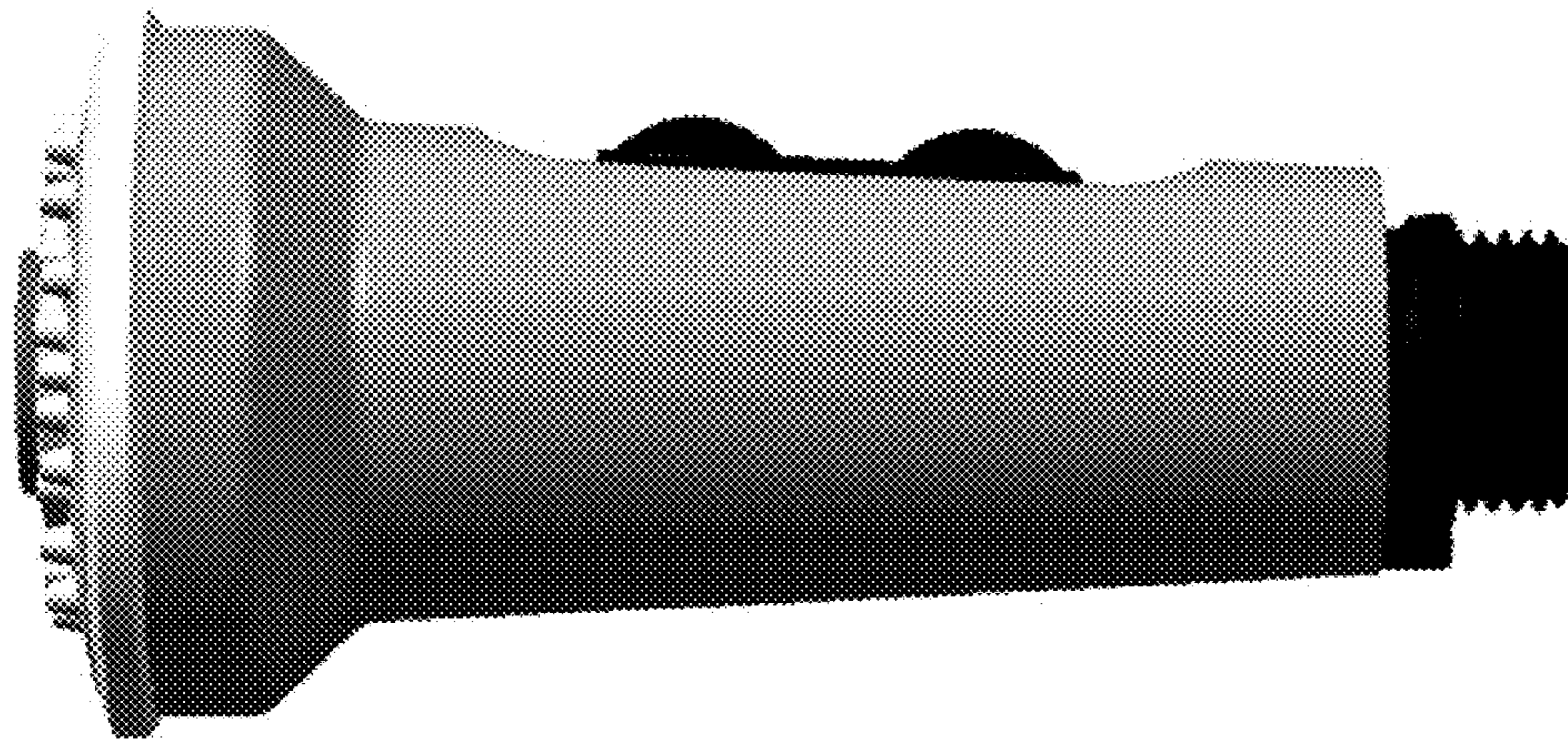


FIG. 3

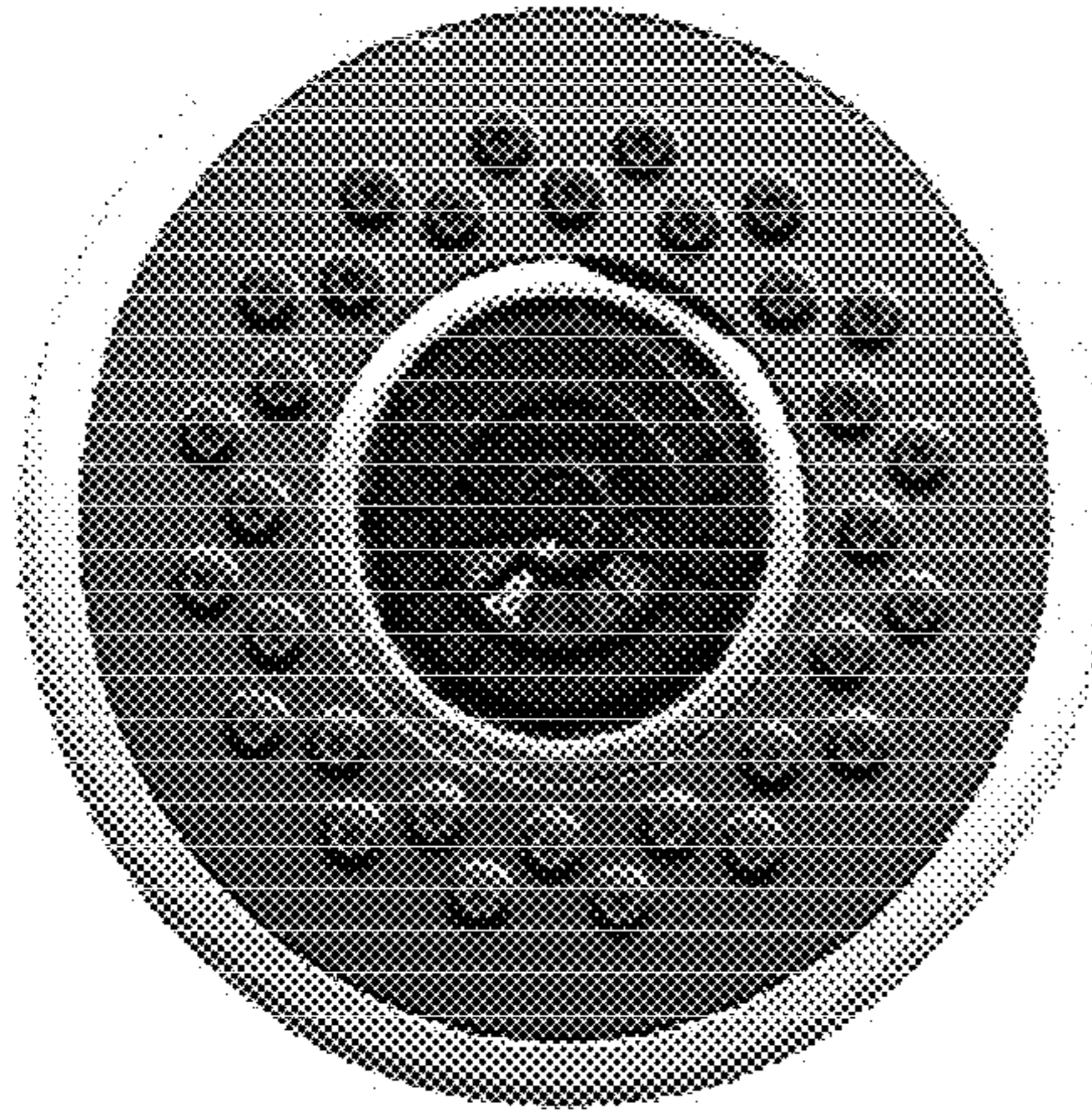


FIG. 4

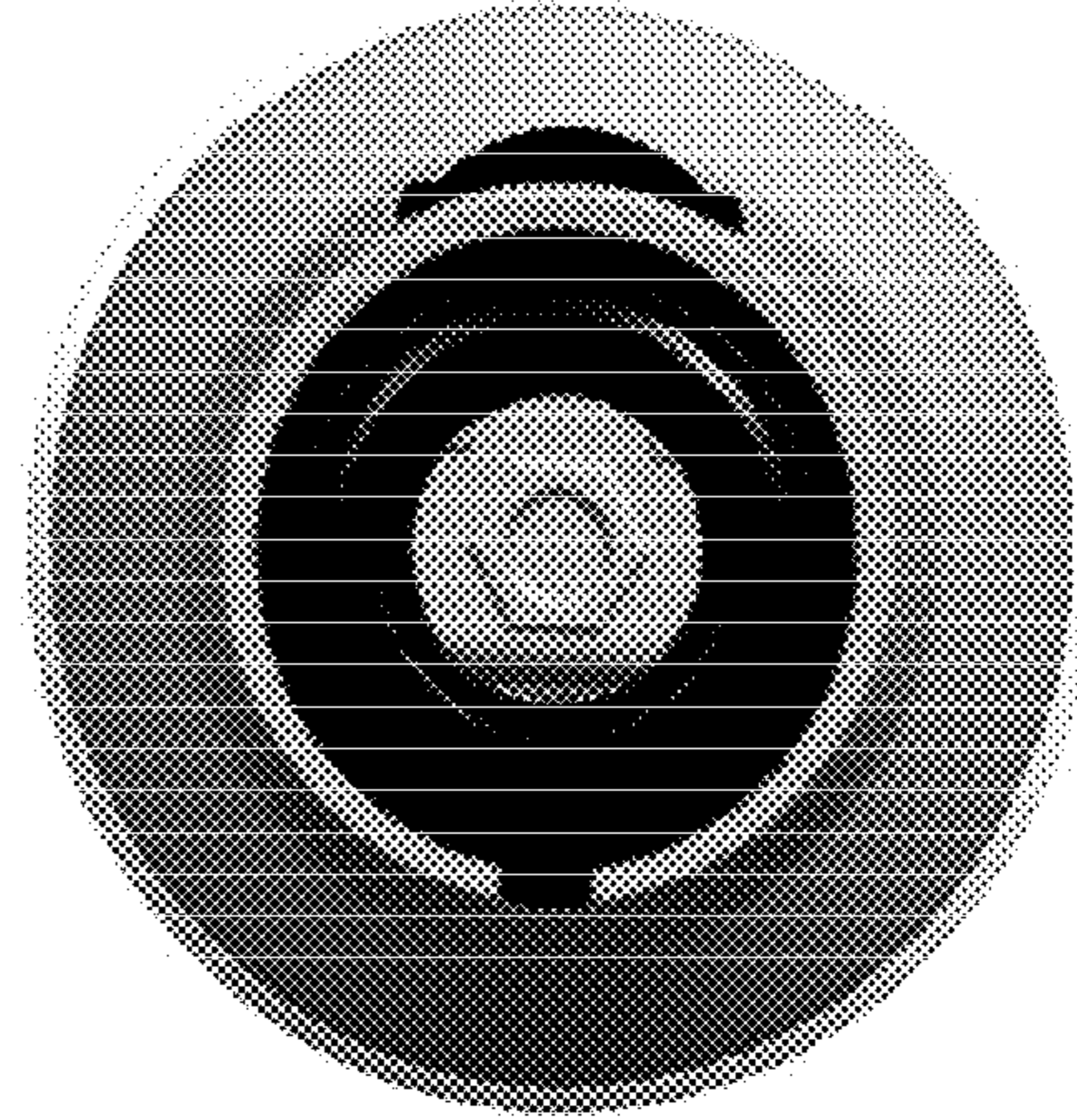


FIG. 5

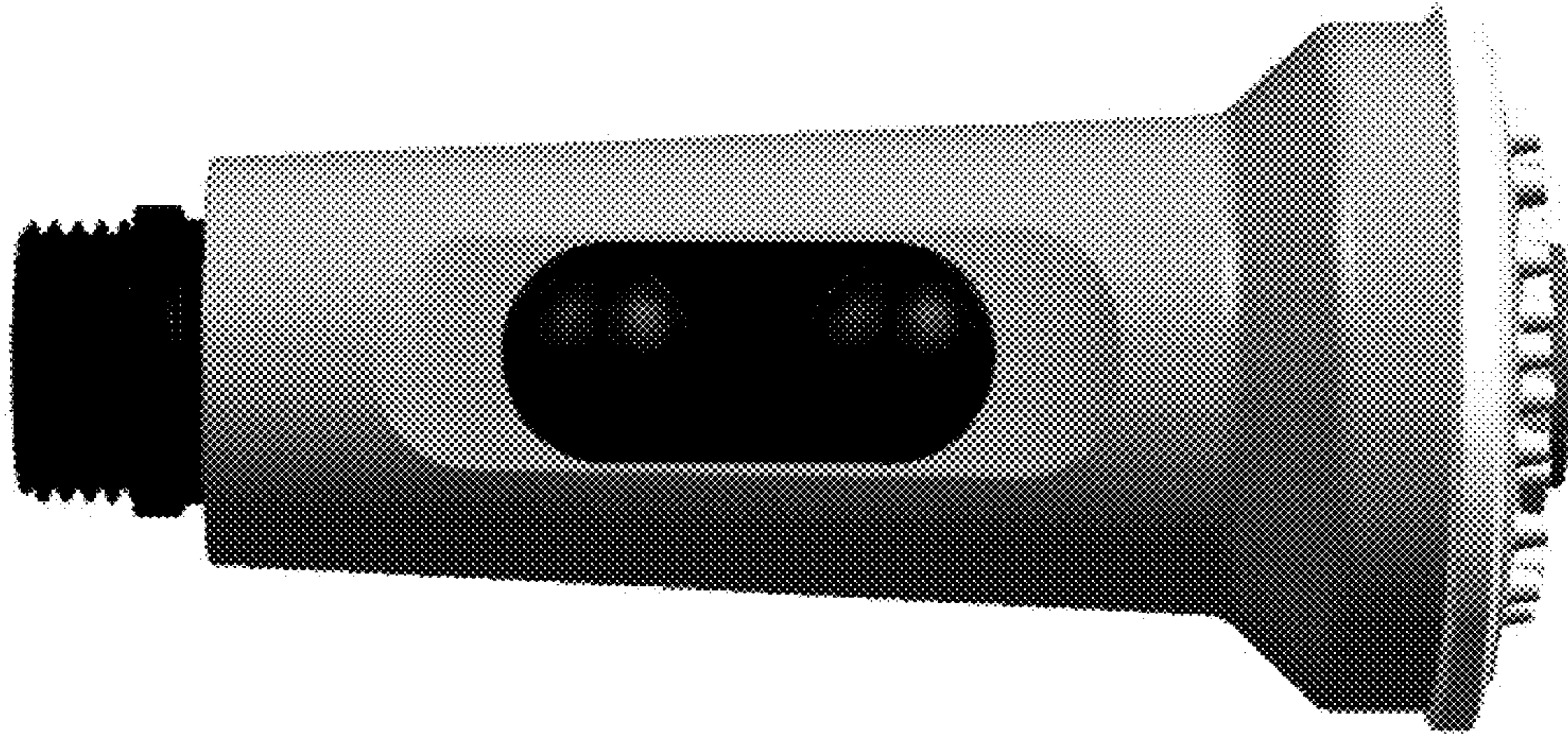


FIG. 6

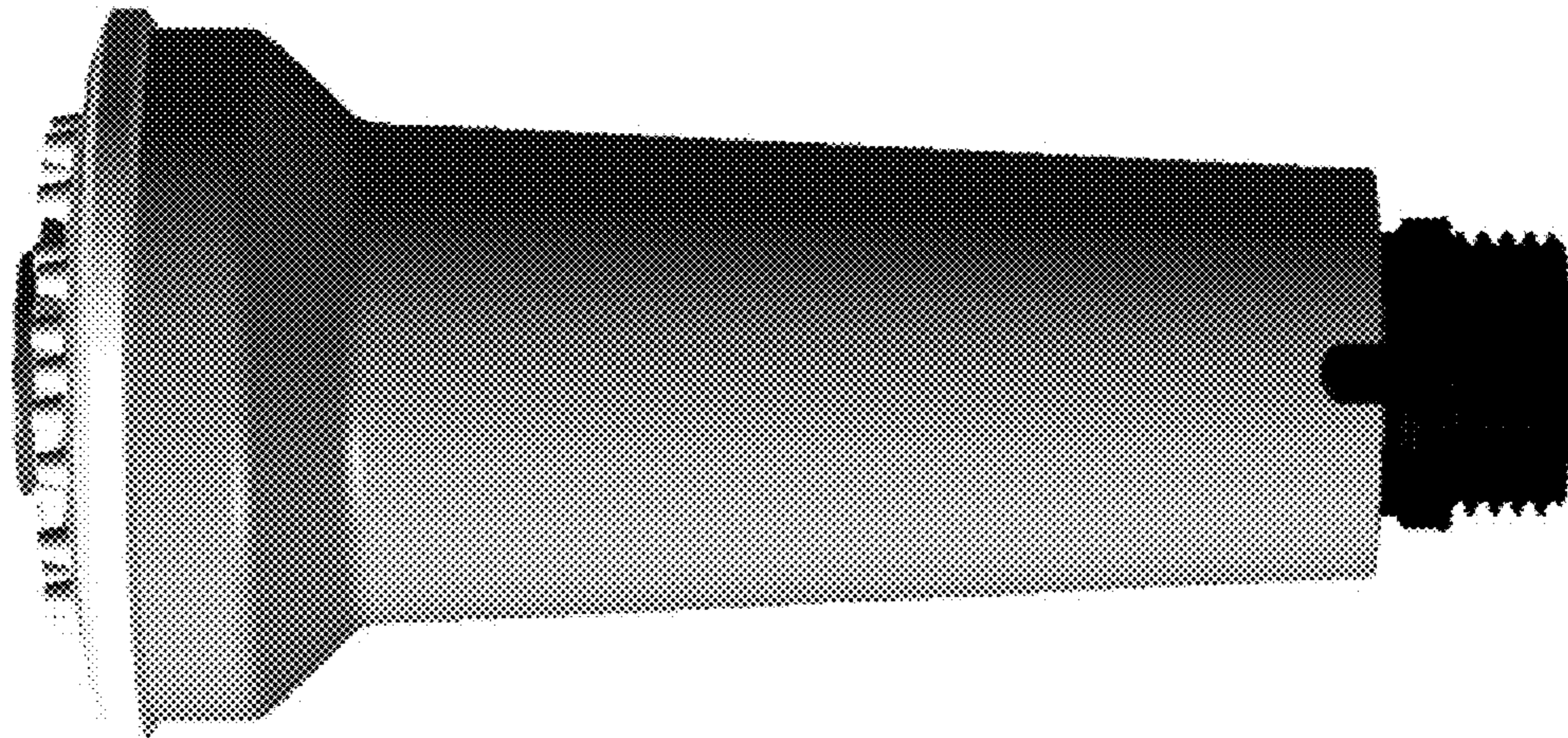


FIG. 7