



US00D555766S

(12) **United States Design Patent**
Chen

(10) **Patent No.:** **US D555,766 S**

(45) **Date of Patent:** **** Nov. 20, 2007**

(54) **WATER SPRAYER**

D513,426 S * 1/2006 Chen D23/223
7,156,325 B1 * 1/2007 Chen 239/394

(75) Inventor: **Chin-Yuan Chen**, Changhua Hsien
(TW)

* cited by examiner

(73) Assignee: **Shin Tai Spurt Water of the Garden
Tools Co., Ltd.**, Changhua Hsien (TW)

Primary Examiner—Robin V. Webster
(74) *Attorney, Agent, or Firm*—Alan Kamrath; Kamrath &
Associates P.A.

(**) Term: **14 Years**

(57) **CLAIM**

(21) Appl. No.: **29/266,395**

The ornamental design for a water sprayer, as shown and
described.

(22) Filed: **Sep. 20, 2006**

(51) **LOC (8) Cl.** **23-01**

(52) **U.S. Cl.** **D23/223**

(58) **Field of Classification Search** D23/213,
D23/223, 226; 239/280, 280.5, 532, 525-6
See application file for complete search history.

DESCRIPTION

FIG. 1 is a perspective view of a water sprayer showing my
design;

FIG. 2 is a front elevational view thereof;

FIG. 3 is a rear elevational view thereof;

FIG. 4 is a left side elevational view thereof;

FIG. 5 is a right side elevational view thereof;

FIG. 6 is a top plan view thereof; and,

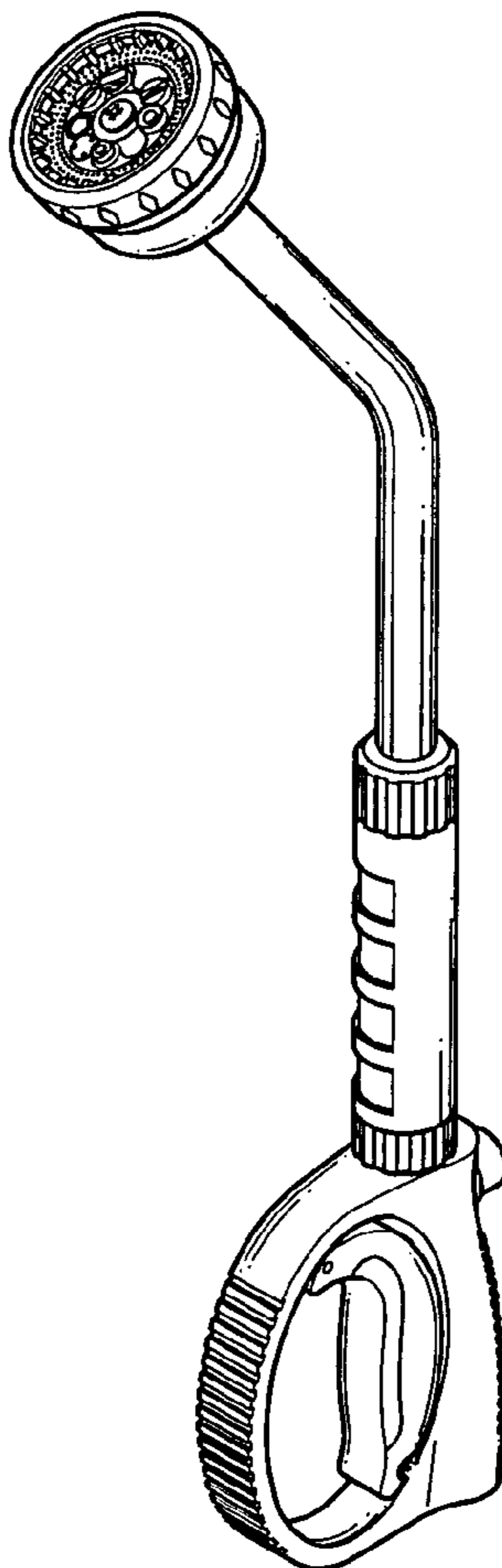
FIG. 7 is a bottom plan view thereof.

(56) **References Cited**

U.S. PATENT DOCUMENTS

6,581,853	B1 *	6/2003	Huang	239/532
D479,302	S *	9/2003	Chen	D23/213
D492,979	S *	7/2004	Chen	D23/223
6,913,211	B2 *	7/2005	Chen	239/532

1 Claim, 6 Drawing Sheets



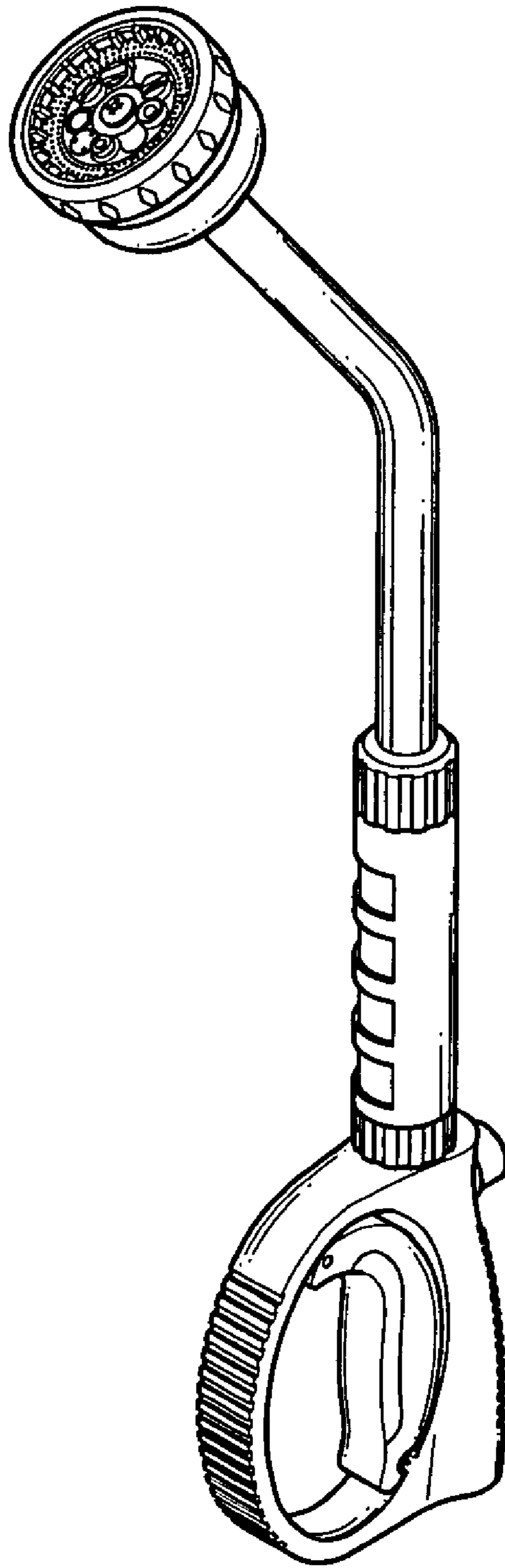


FIG.1

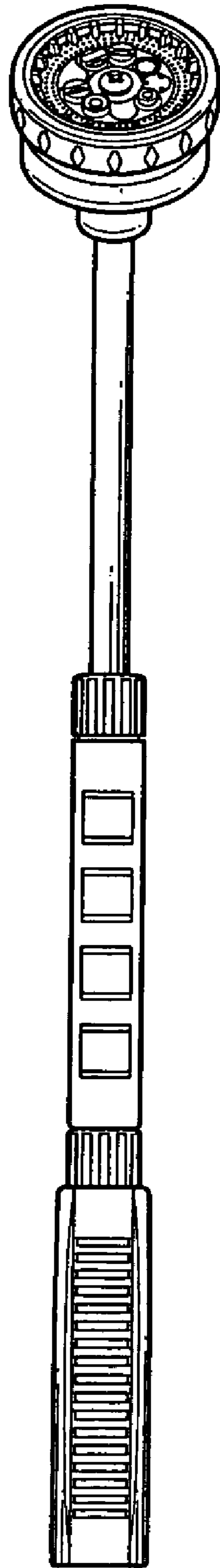


FIG.2

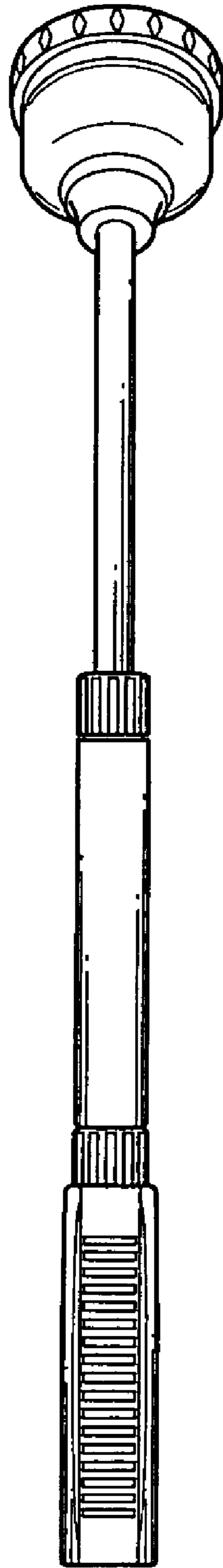


FIG. 3

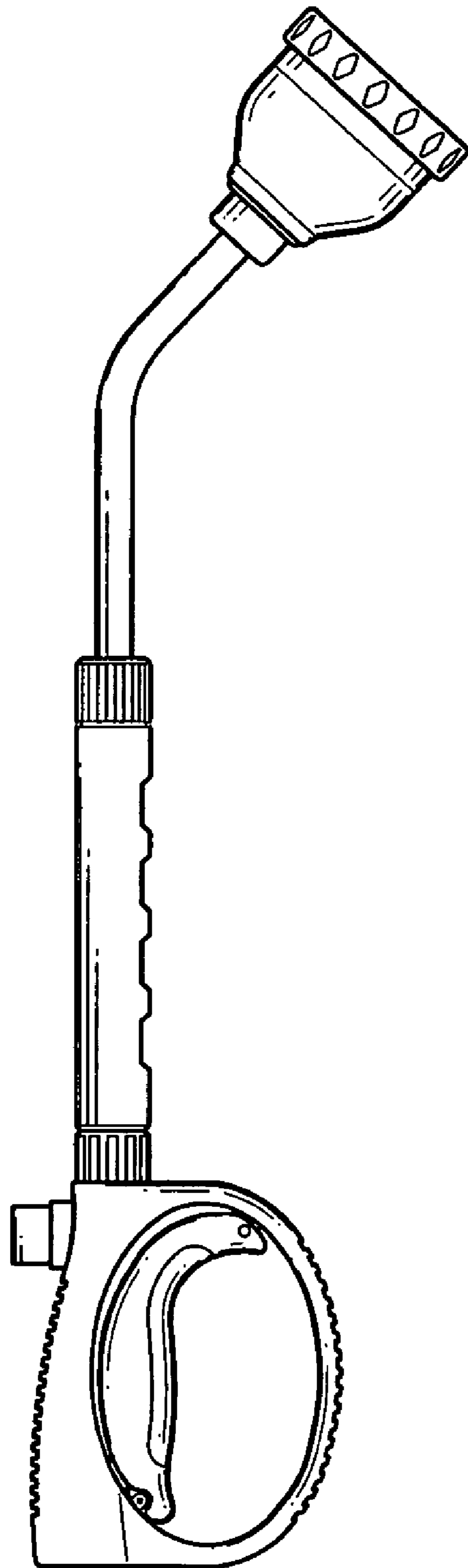


FIG. 4

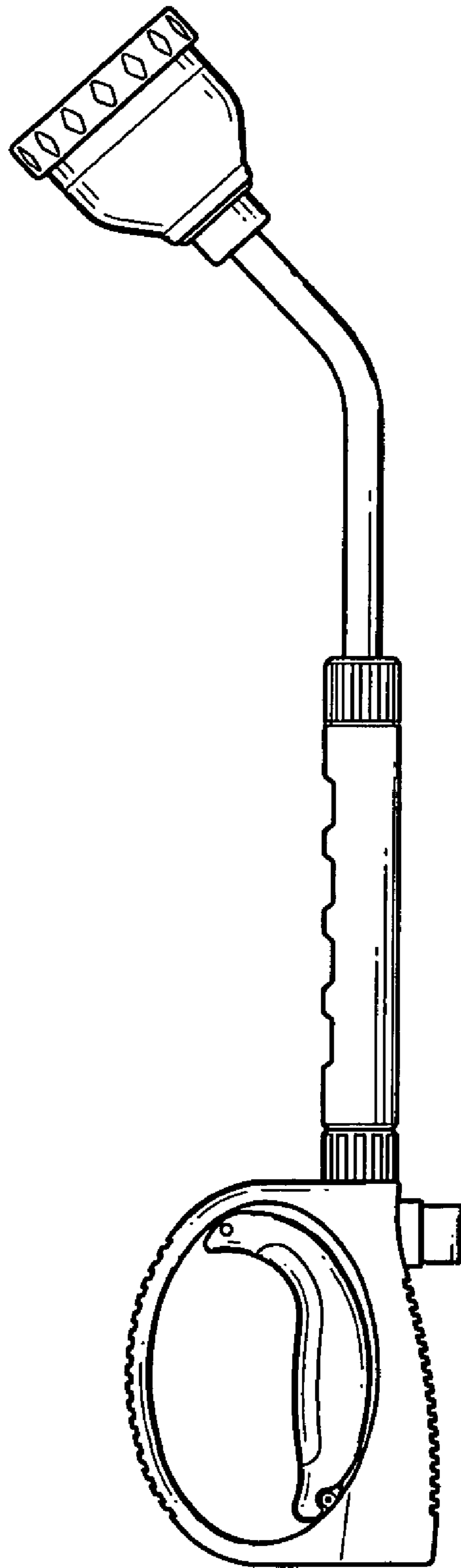


FIG.5

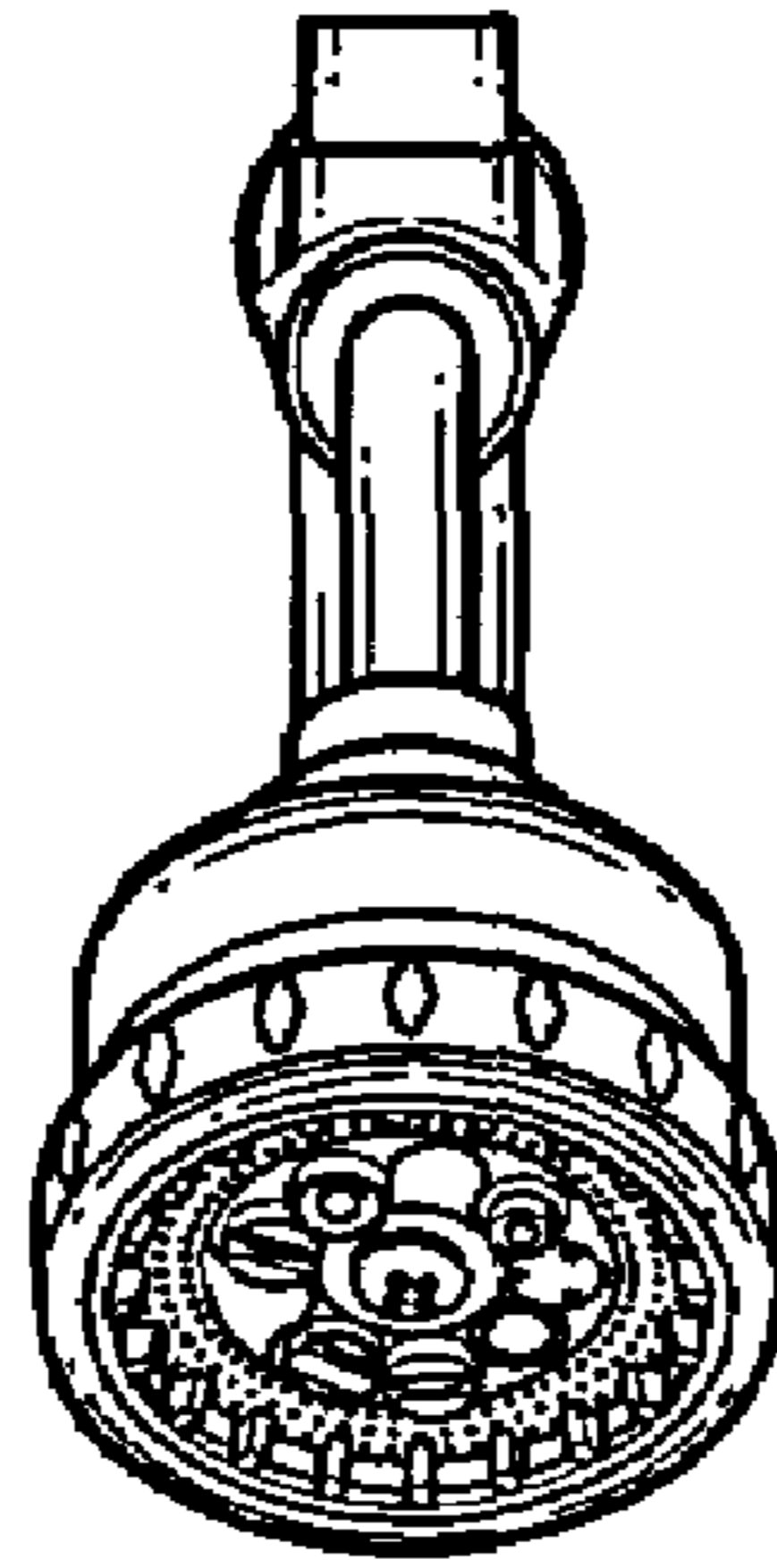


FIG. 6

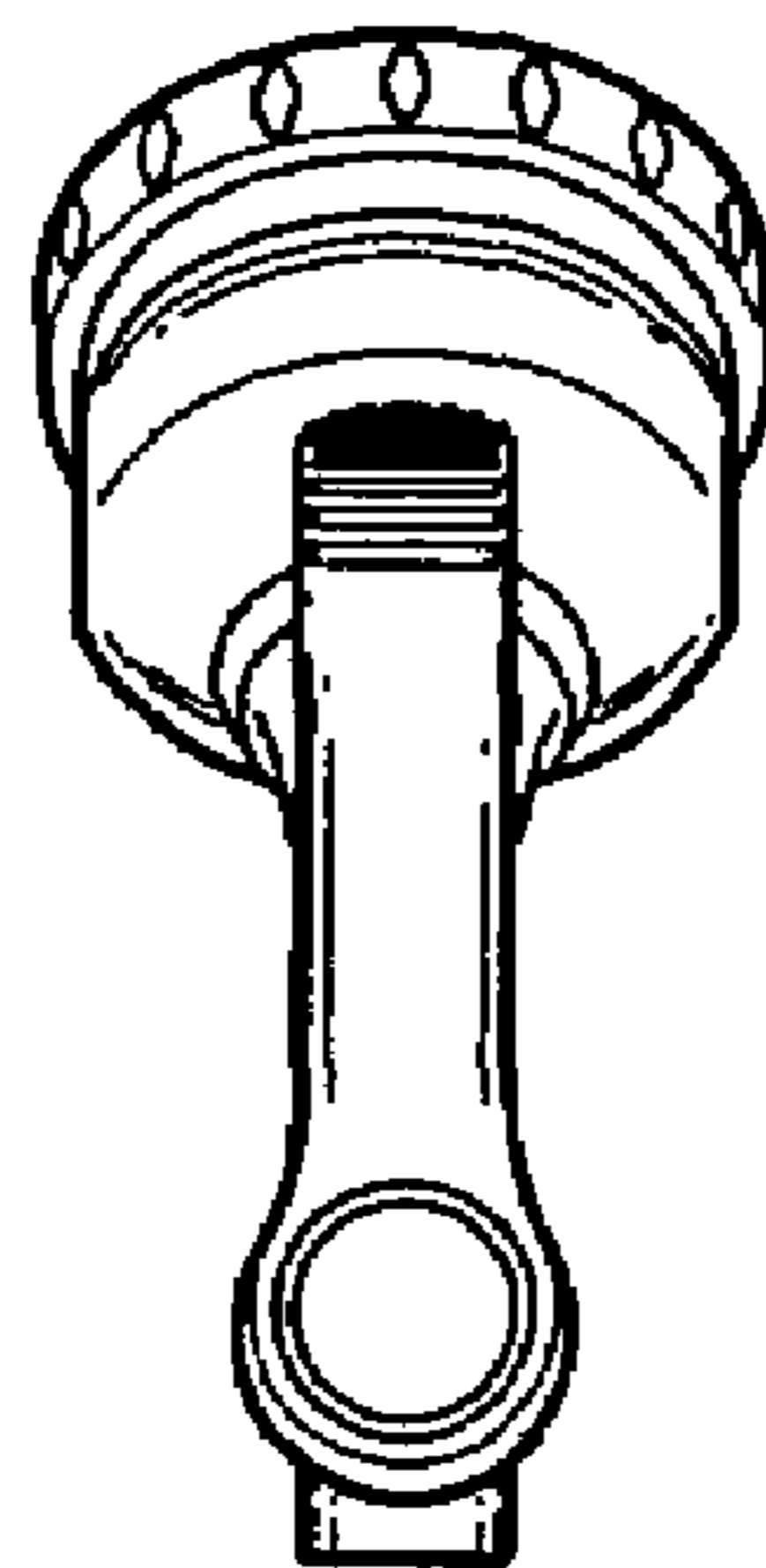


FIG. 7