



US00D555765S

(12) **United States Design Patent**
Bosio

(10) **Patent No.:** **US D555,765 S**

(45) **Date of Patent:** **** Nov. 20, 2007**

(54) **SHOWER**

D532,078 S * 11/2006 Bosio D23/226
D533,252 S * 12/2006 Bosio D23/226

(75) Inventor: **Orlando Bosio**, Casaloldo (IT)

* cited by examiner

(73) Assignee: **AMFAG S.p.A.**, Castel Goffredo (IT)

Primary Examiner—Robin V. Webster

(**) Term: **14 Years**

(74) *Attorney, Agent, or Firm*—Modiano & Associati; Albert Josif; Daniel J. O’Byrne

(21) Appl. No.: **29/265,685**

(22) Filed: **Sep. 7, 2006**

(57) **CLAIM**

(30) **Foreign Application Priority Data**

The ornamental design for the “shower”, as shown and described.

Mar. 21, 2006 (EM) 000499439

DESCRIPTION

(51) **LOC (8) Cl.** **23-01**

FIG. 1 is a perspective view of the “shower” taken from below, showing my new design;

(52) **U.S. Cl.** **D23/223**

(58) **Field of Classification Search** D23/213,
D23/223, 226; 239/394; 4/605, 615

FIG. 2 is a right side elevation view thereof;

See application file for complete search history.

FIG. 3 is a left side elevation view thereof;

(56) **References Cited**

FIG. 4 is a plan view thereof, taken from above;

U.S. PATENT DOCUMENTS

FIG. 5 is a plan view thereof, taken from below;

D416,979 S * 11/1999 Bosio D23/223

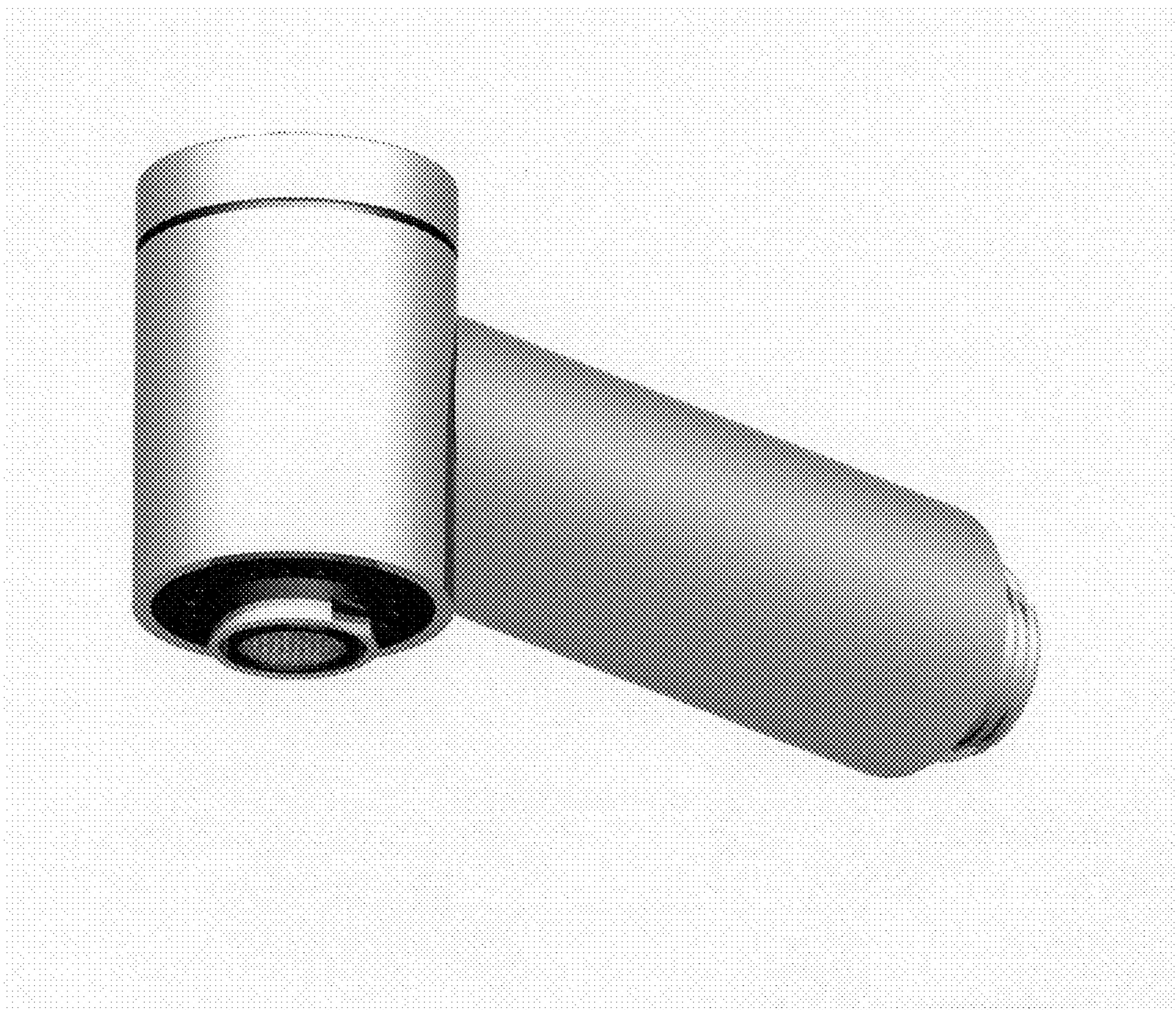
FIG. 6 is a front elevation view thereof; and,

D425,177 S * 5/2000 Bosio D23/223

FIG. 7 is a rear elevation view thereof.

D432,623 S * 10/2000 Sawhney et al. D23/223

1 Claim, 6 Drawing Sheets



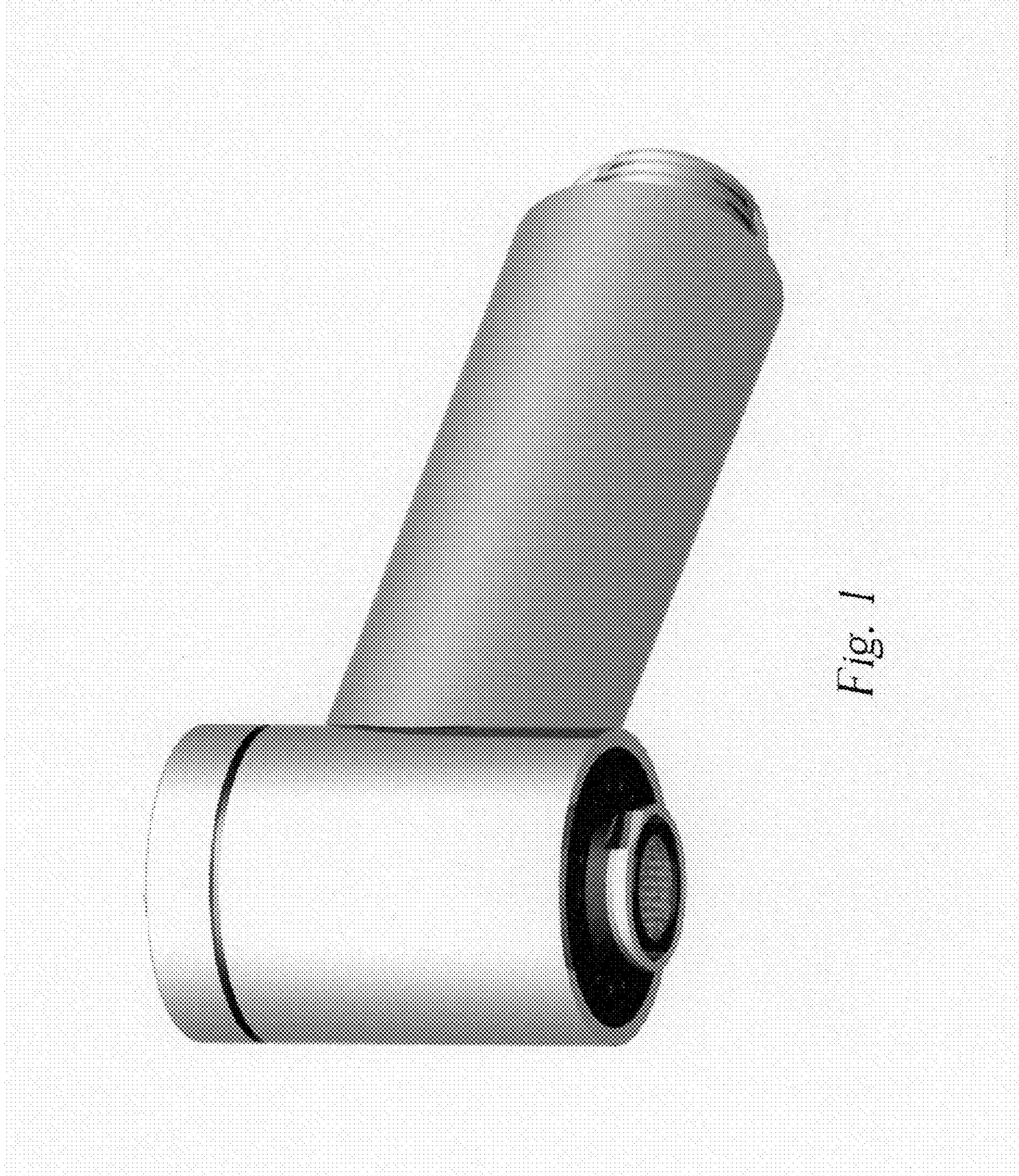


Fig. 1

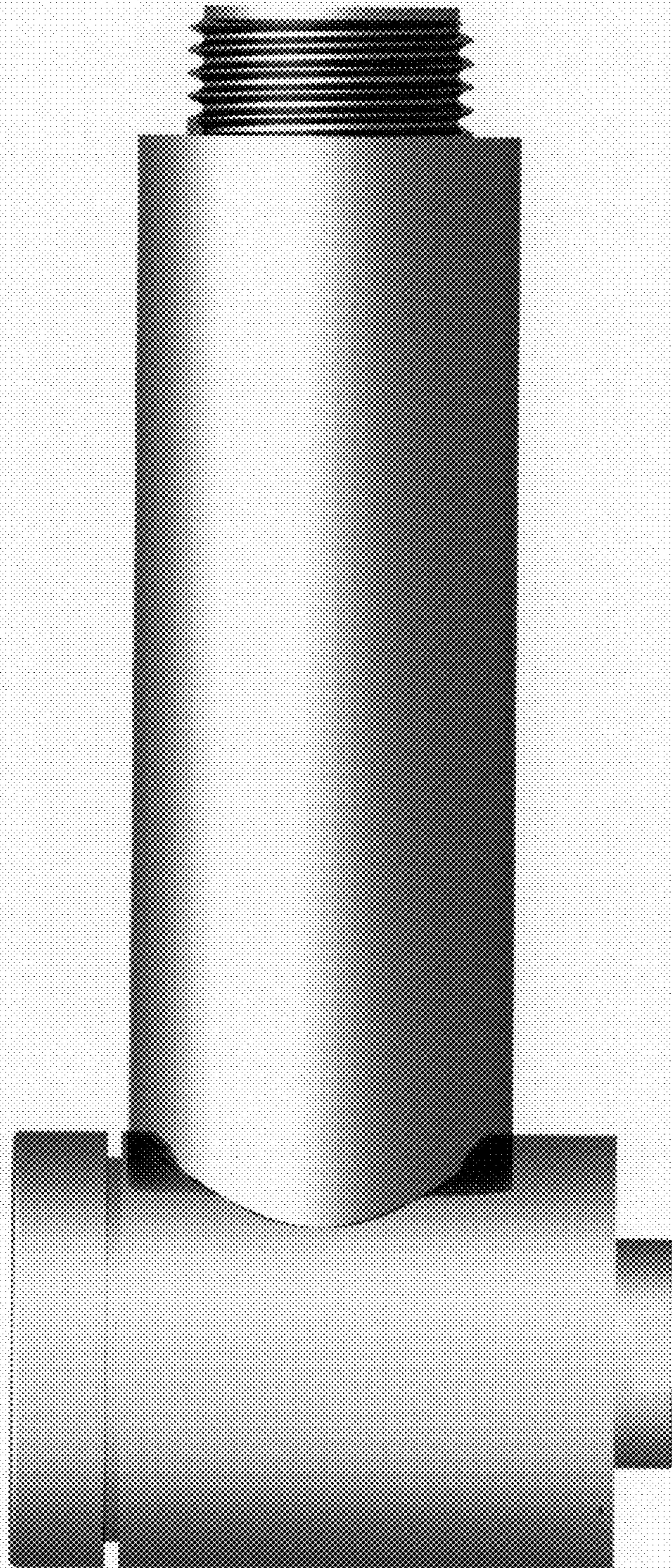


Fig. 2

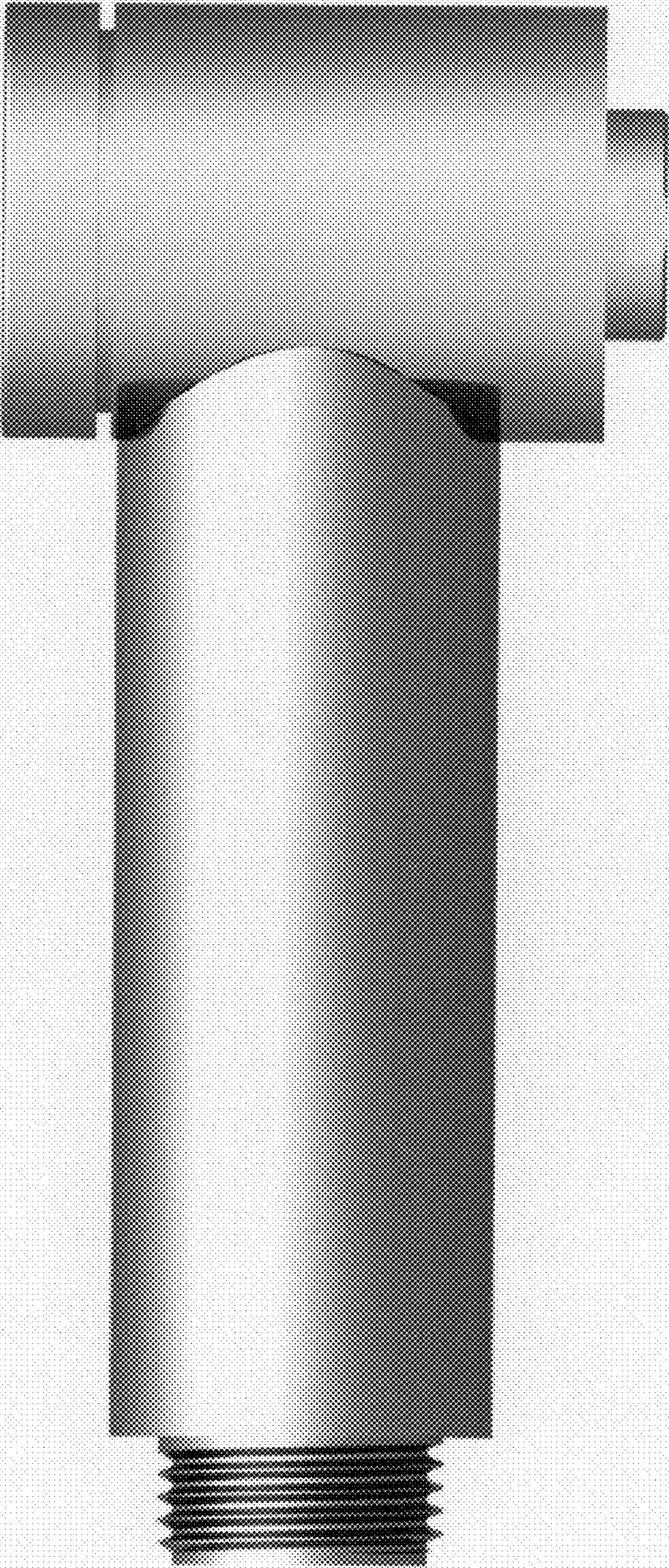


Fig. 3

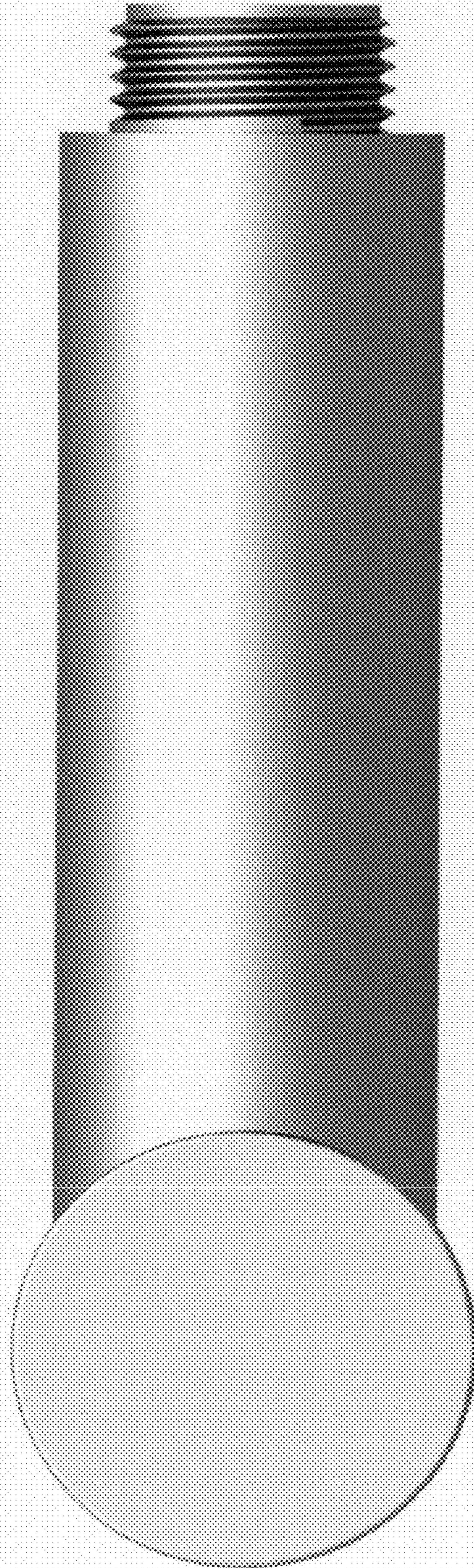


Fig. 4

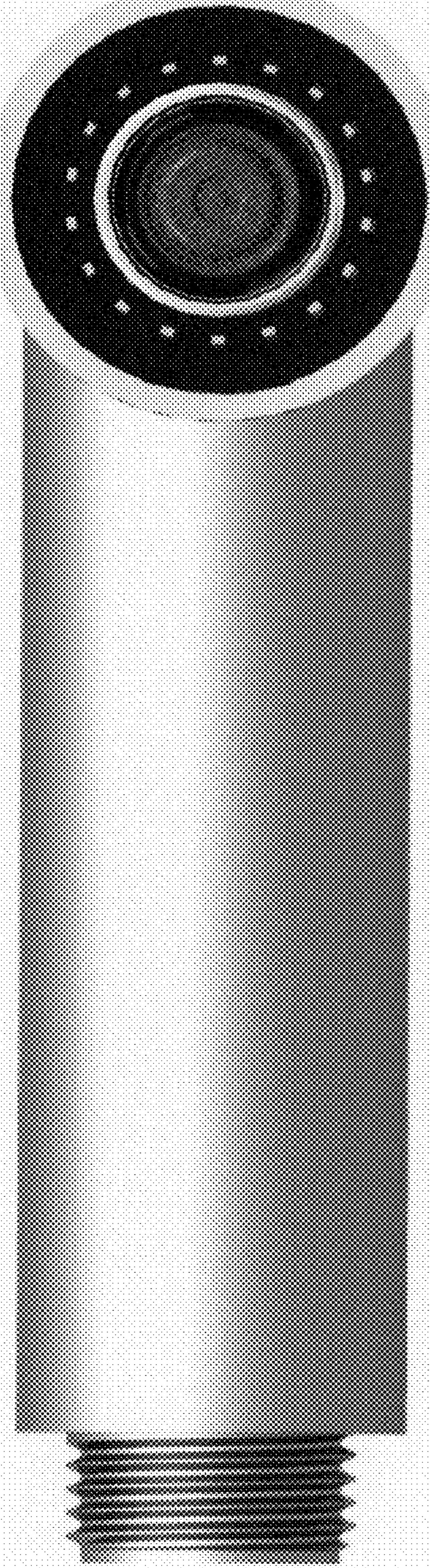


Fig. 5

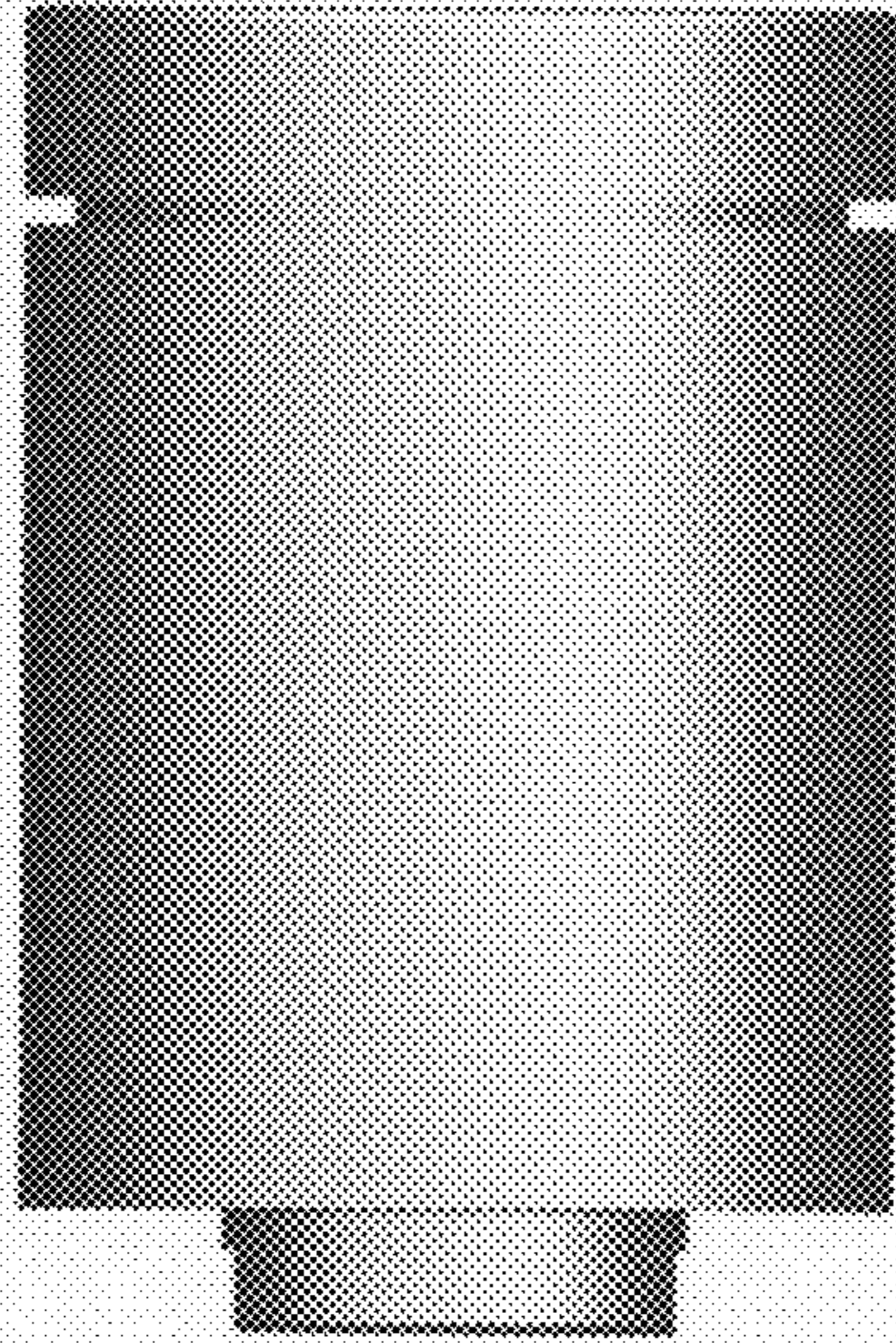


Fig. 6

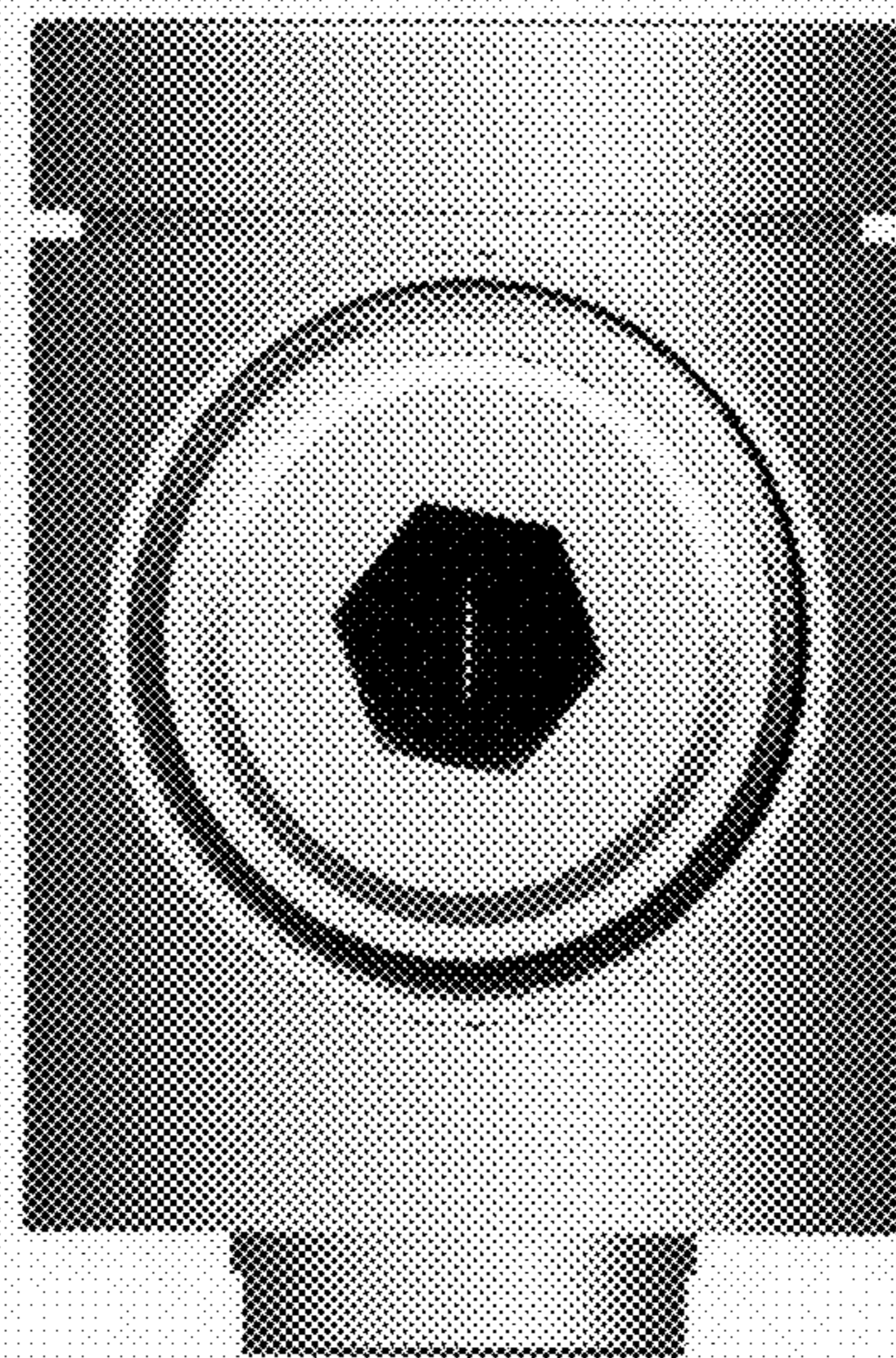


Fig. 7