

US00D555762S

(12) **United States Design Patent**  
**Jaeb**

(10) **Patent No.:** **US D555,762 S**

(45) **Date of Patent:** **\*\* Nov. 20, 2007**

(54) **SHOWERHEAD**

(75) Inventor: **Michael S. Jaeb**, Millersburg, OH (US)

(73) Assignee: **Moen Incorporated**, North Olmsted, OH (US)

(\*\*) Term: **14 Years**

(21) Appl. No.: **29/265,410**

(22) Filed: **Aug. 31, 2006**

(51) **LOC (8) Cl.** ..... **23-01**

(52) **U.S. Cl.** ..... **D23/213**

(58) **Field of Classification Search** ..... D23/213,  
D23/229-230; 239/282, 283; 4/605, 615  
See application file for complete search history.

(56) **References Cited**

U.S. PATENT DOCUMENTS

1,401,462	A *	12/1921	Circle	.....	239/553
D177,288	S	3/1956	Tiller et al.		
3,005,995	A *	10/1961	Bickford	.....	4/615
D309,496	S	7/1990	Ramsey et al.		
D334,046	S *	3/1993	Klose	.....	D23/213
D453,369	S	2/2002	Lobermeier		
D504,936	S	5/2005	Yeager		
D506,242	S	6/2005	Spangler		
D524,405	S *	7/2006	Hoernig	.....	D23/213

\* cited by examiner

*Primary Examiner*—Robin V. Webster

(74) *Attorney, Agent, or Firm*—Calfee Halter & Griswold LLP

(57) **CLAIM**

The ornamental design for a showerhead, as shown and described.

**DESCRIPTION**

FIG. 1 is a perspective view of a showerhead of the new design;

FIG. 2 is a front elevational view of the showerhead of FIG. 1;

FIG. 3 is a rear elevational view of the showerhead of FIG. 1;

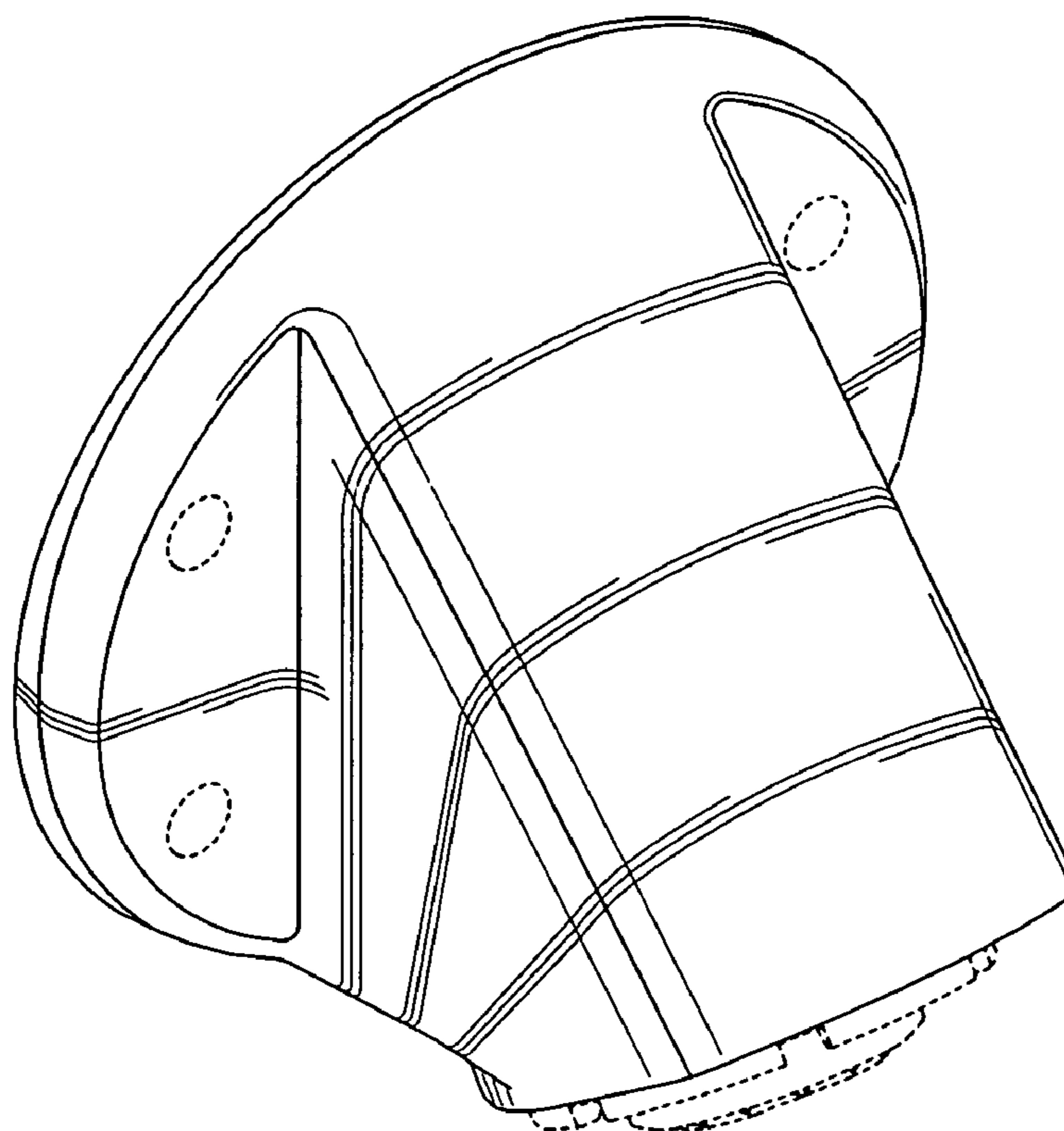
FIG. 4 is a left side elevational view of the showerhead of FIG. 1;

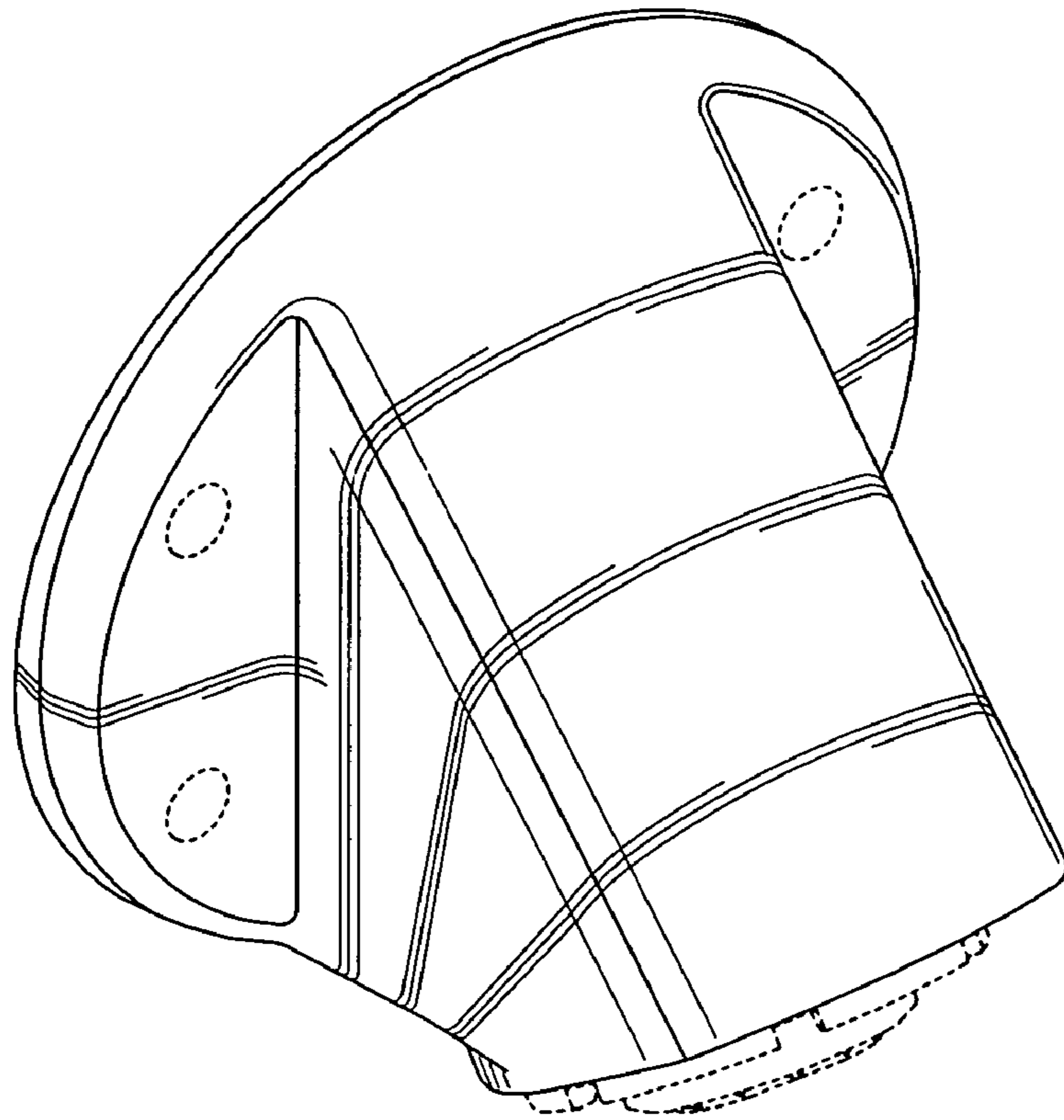
FIG. 5 is a right side elevational view of the showerhead of FIG. 1;

FIG. 6 is a top plan view of the showerhead of FIG. 1; and, FIG. 7 is a bottom plan view of the showerhead of FIG. 1.

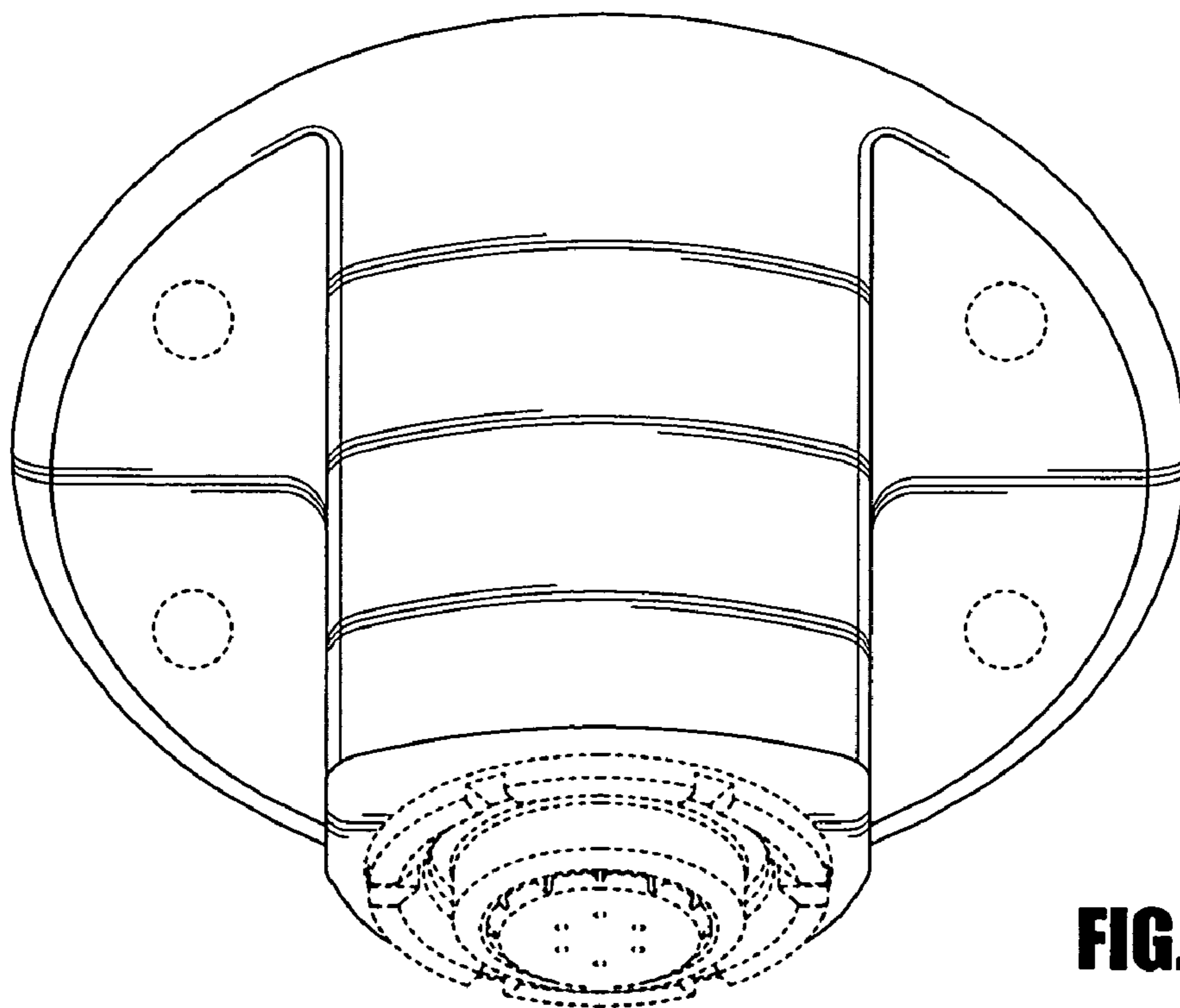
The portions of the Figures shown in broken lines are not part of the claimed design and are for illustration only.

**1 Claim, 3 Drawing Sheets**

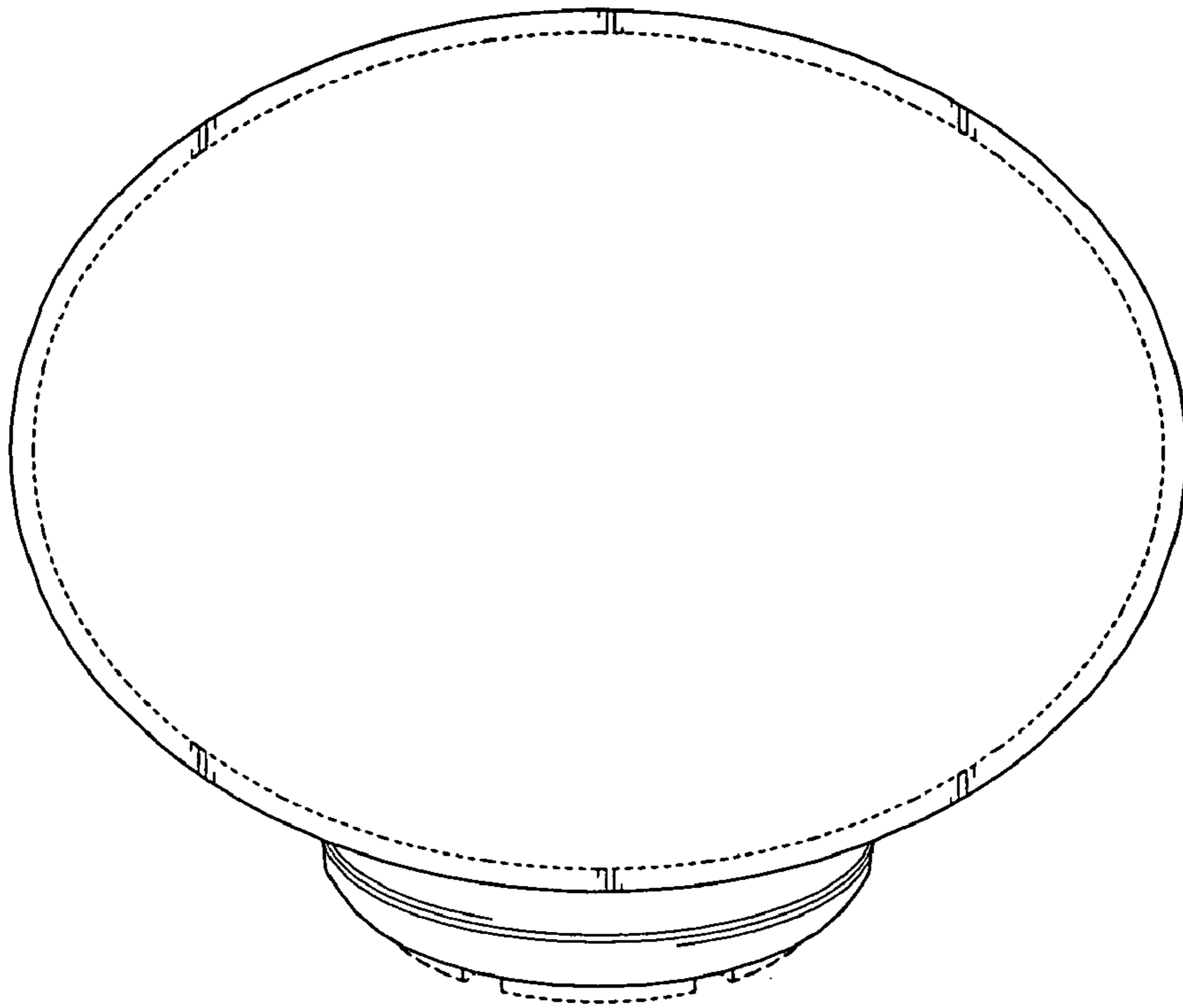




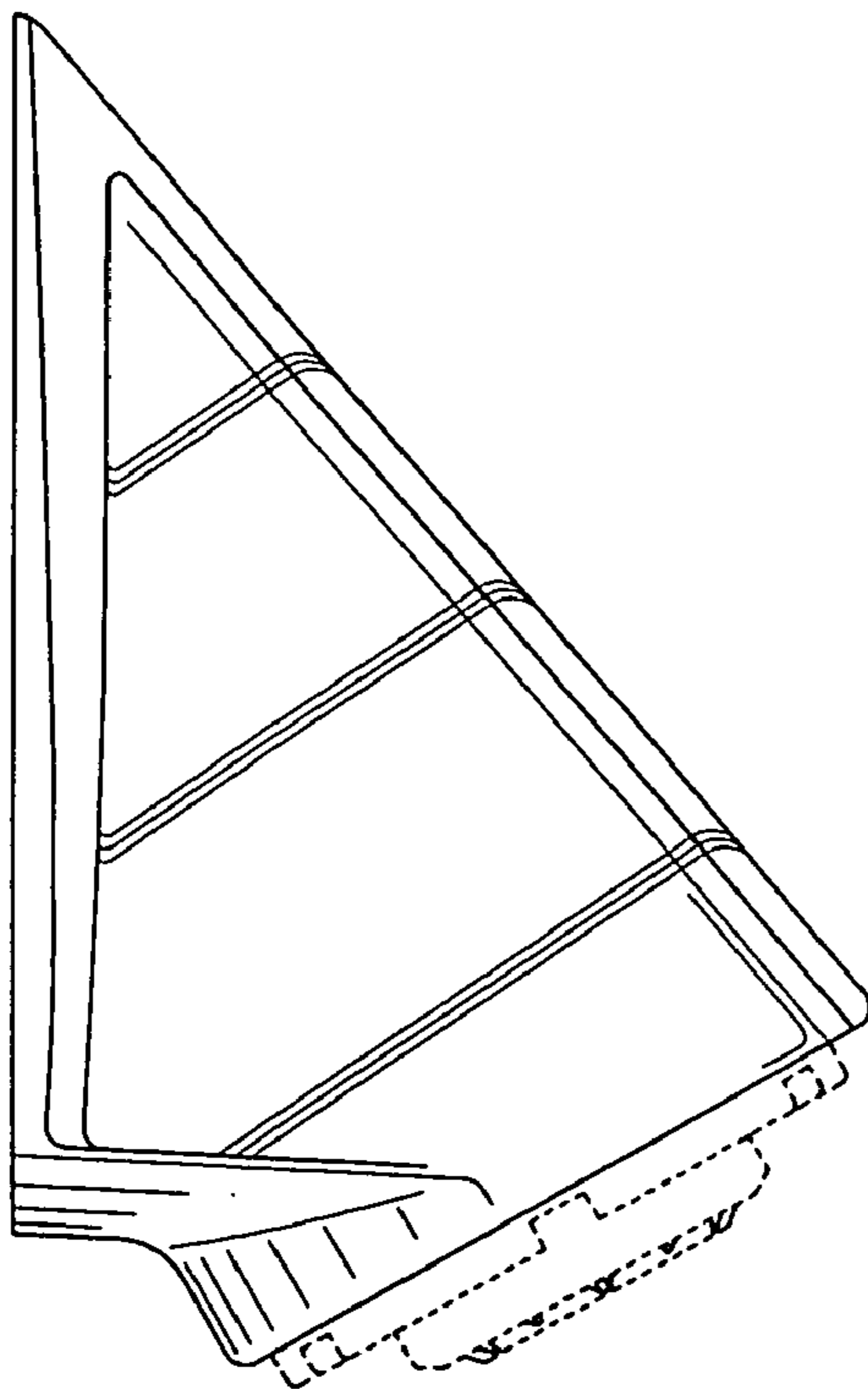
**FIG. 1**



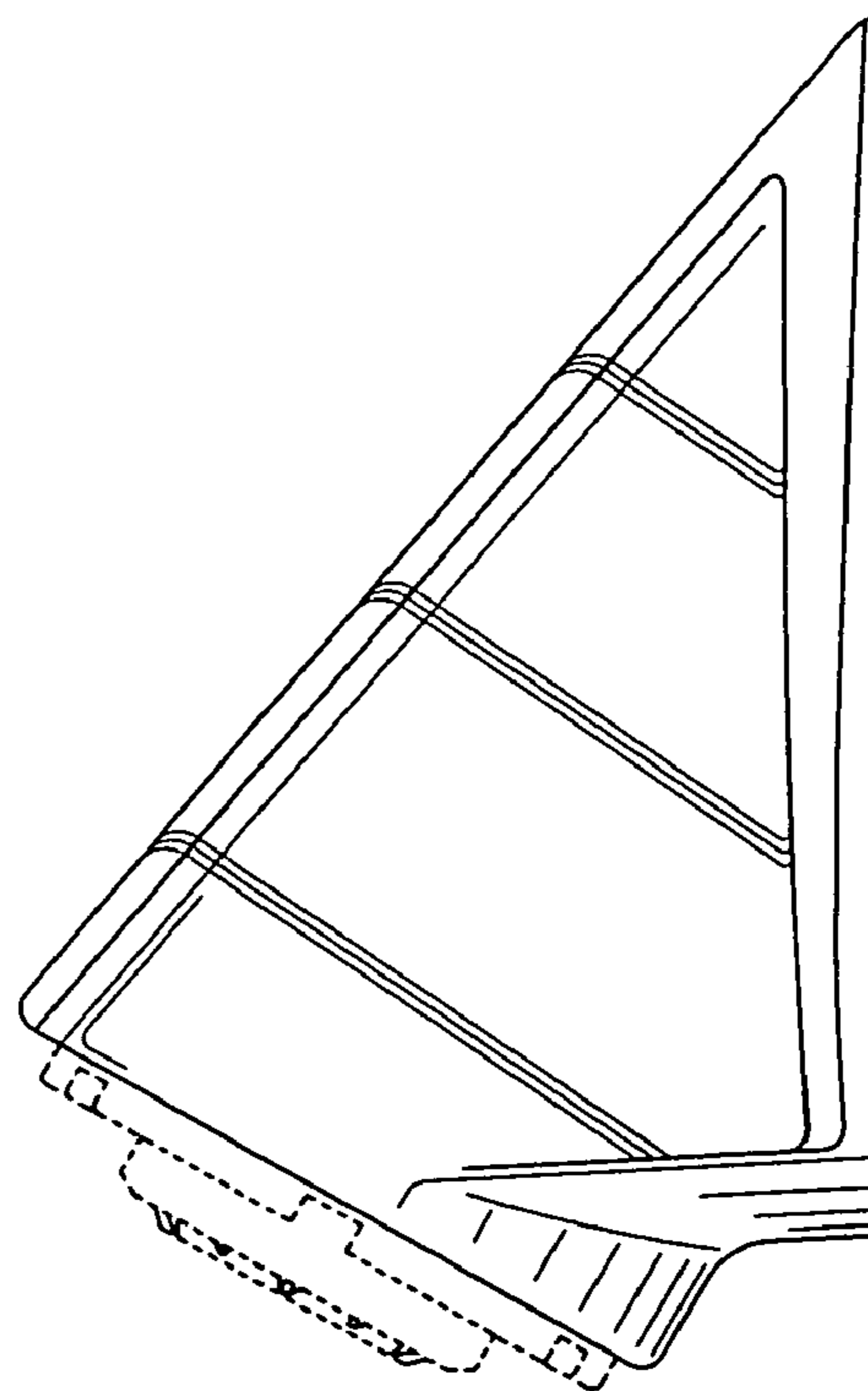
**FIG. 2**



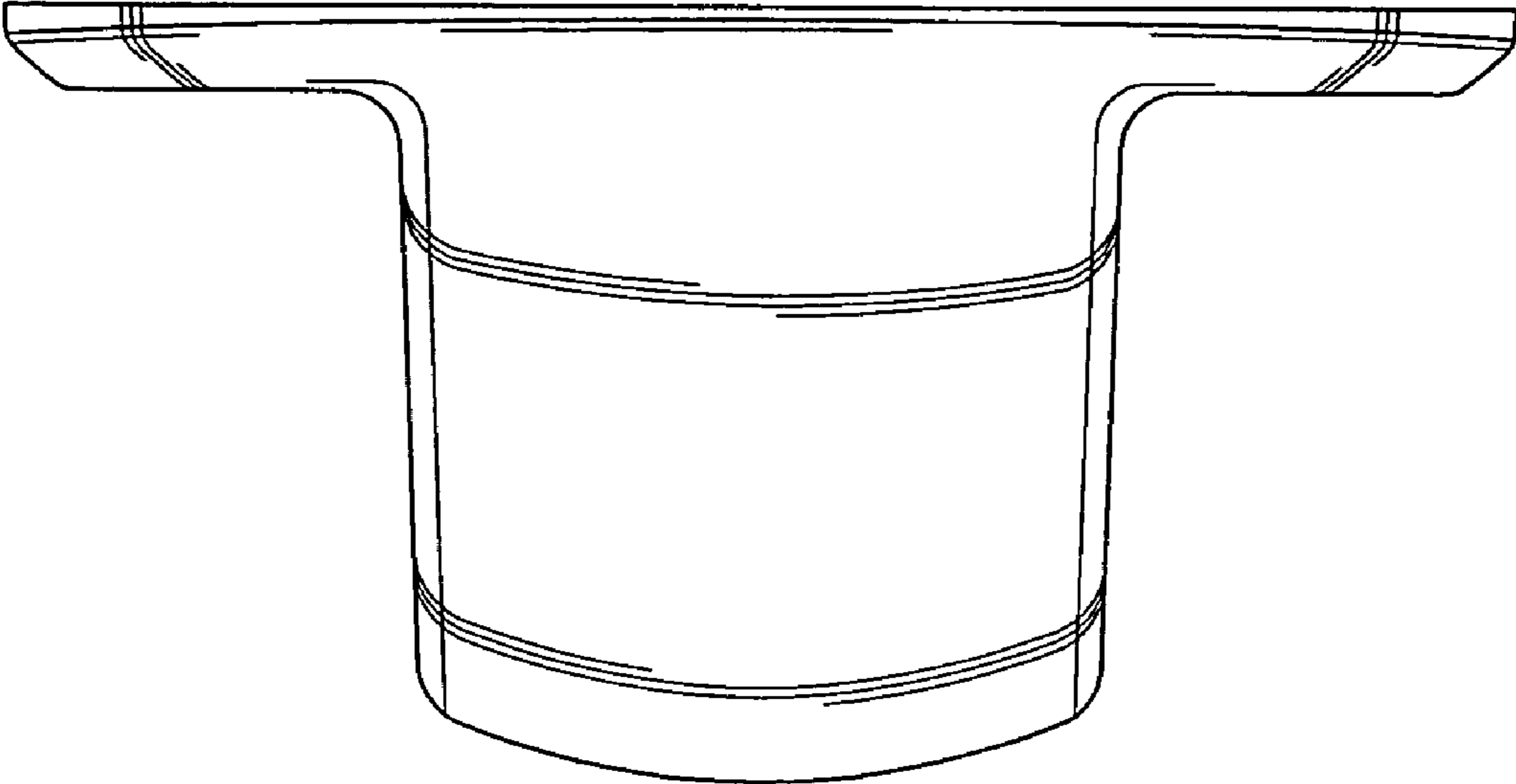
**FIG. 3**



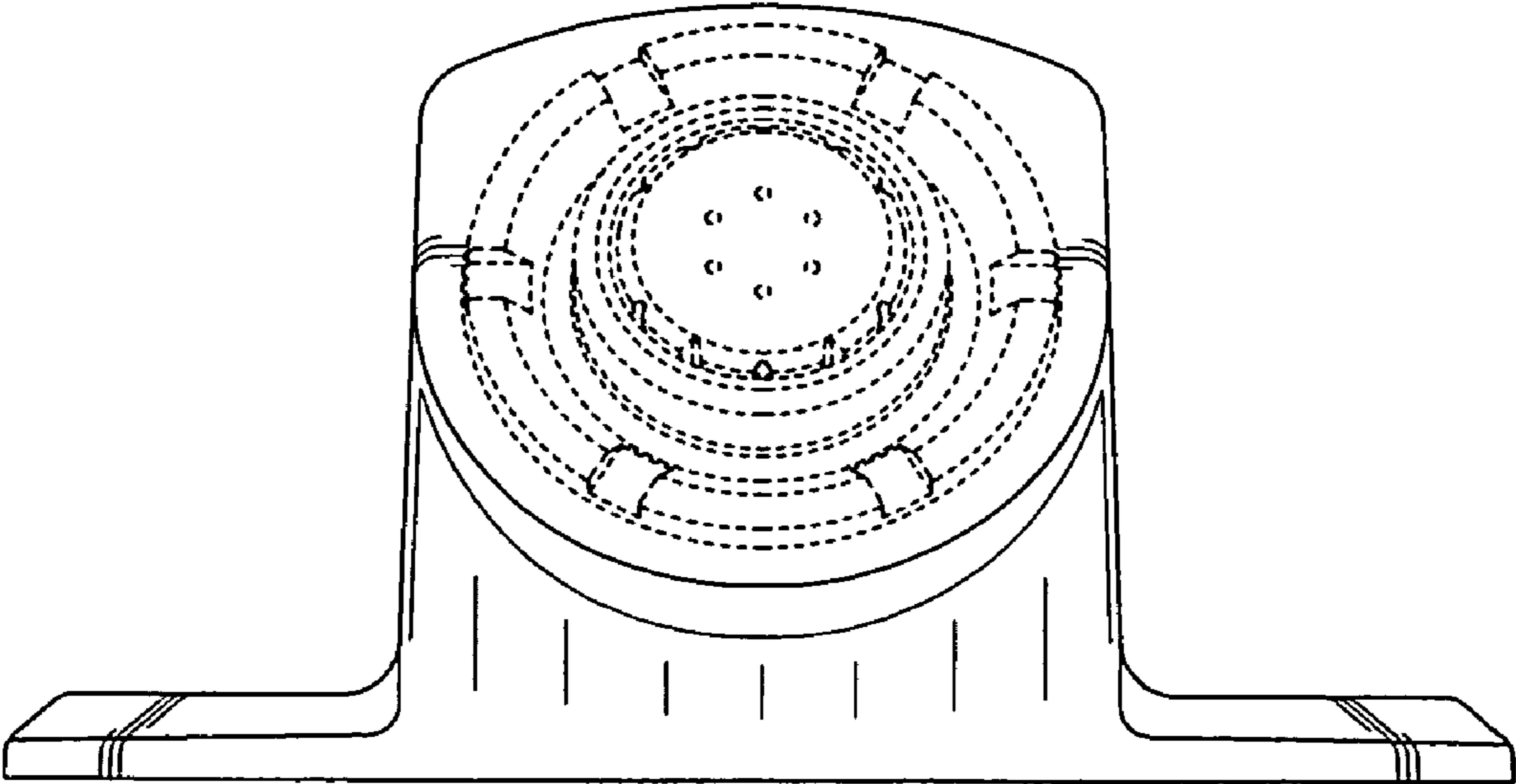
**FIG. 4**



**FIG. 5**



**FIG. 6**



**FIG. 7**