



US00D555761S

(12) **United States Design Patent**  
**Dingler et al.**

(10) **Patent No.:** **US D555,761 S**

(45) **Date of Patent:** **\*\* Nov. 20, 2007**

(54) **SHOWERHEAD**

D510,409 S \* 10/2005 Xiang et al. .... D23/229

(75) Inventors: **Noah Dingler**, Waterford, MI (US);  
**Dominic Daunter**, Howell, MI (US);  
**Michael Miller**, Portage, MI (US);  
**Julian Giggs**, Hillsdale, MI (US)

\* cited by examiner

*Primary Examiner*—Robin V. Webster  
(74) *Attorney, Agent, or Firm*—Edgar A. Zarine; Lloyd D. Doigan

(73) Assignee: **Alsons Corporation**, Hillsdale, MI (US)

(57) **CLAIM**

(\*\*) Term: **14 Years**

The ornamental design for a showerhead, as shown and described.

(21) Appl. No.: **29/262,206**

(22) Filed: **Jun. 28, 2006**

**DESCRIPTION**

(51) **LOC (8) Cl.** ..... **23-01**

FIG. 1 is a perspective view of a showerhead showing our new design;

(52) **U.S. Cl.** ..... **D23/213**

FIG. 2 is a front face view thereof;

(58) **Field of Classification Search** ..... D23/213,

FIG. 3 is a rear view thereof;

D23/229–230, 223; 239/282–3

FIG. 4 is a top plan view thereof, the opposite side being a mirror image of the side shown; and,

See application file for complete search history.

FIG. 5 is a right side view thereof, the opposite side being a mirror image of the side shown.

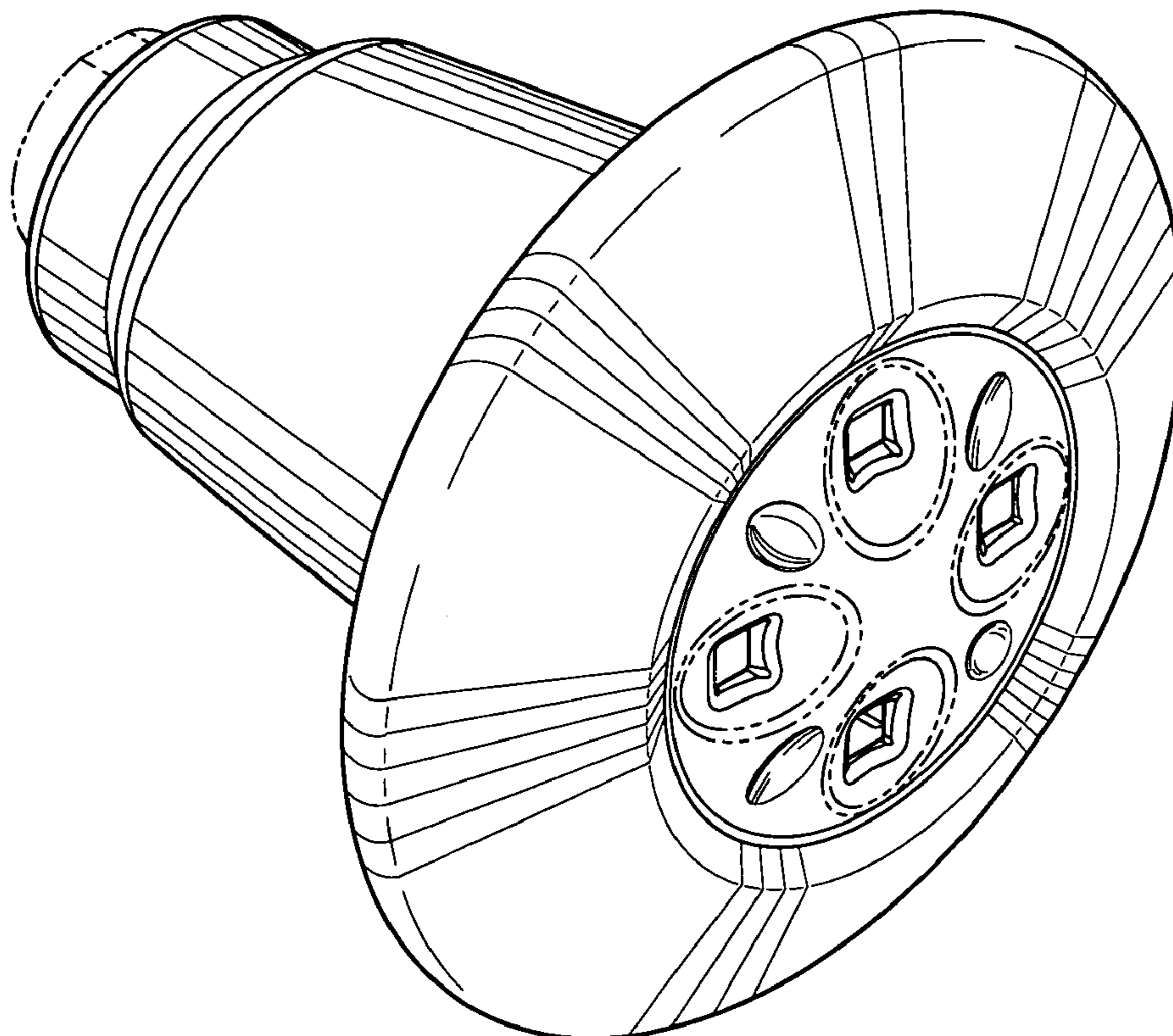
(56) **References Cited**

**U.S. PATENT DOCUMENTS**

- D334,046 S \* 3/1993 Klose ..... D23/213
- D472,301 S \* 3/2003 Mueller et al. .... D23/213
- D487,301 S \* 3/2004 Haug et al. .... D23/229
- D507,037 S \* 7/2005 Wu ..... D23/229

The broken line showing is included for the purpose of illustrating and forms no part of the claimed design.

**1 Claim, 3 Drawing Sheets**



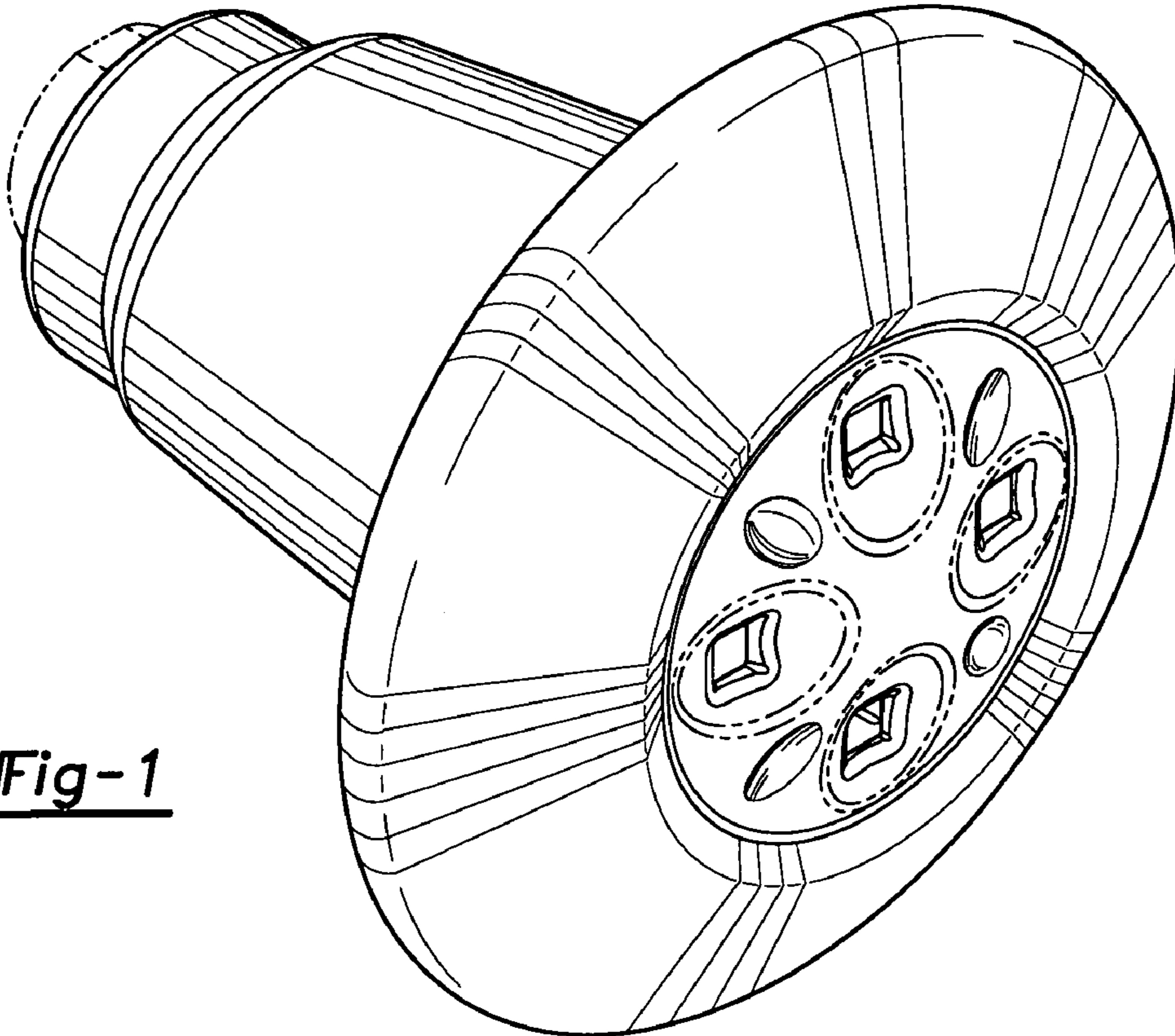


Fig-1

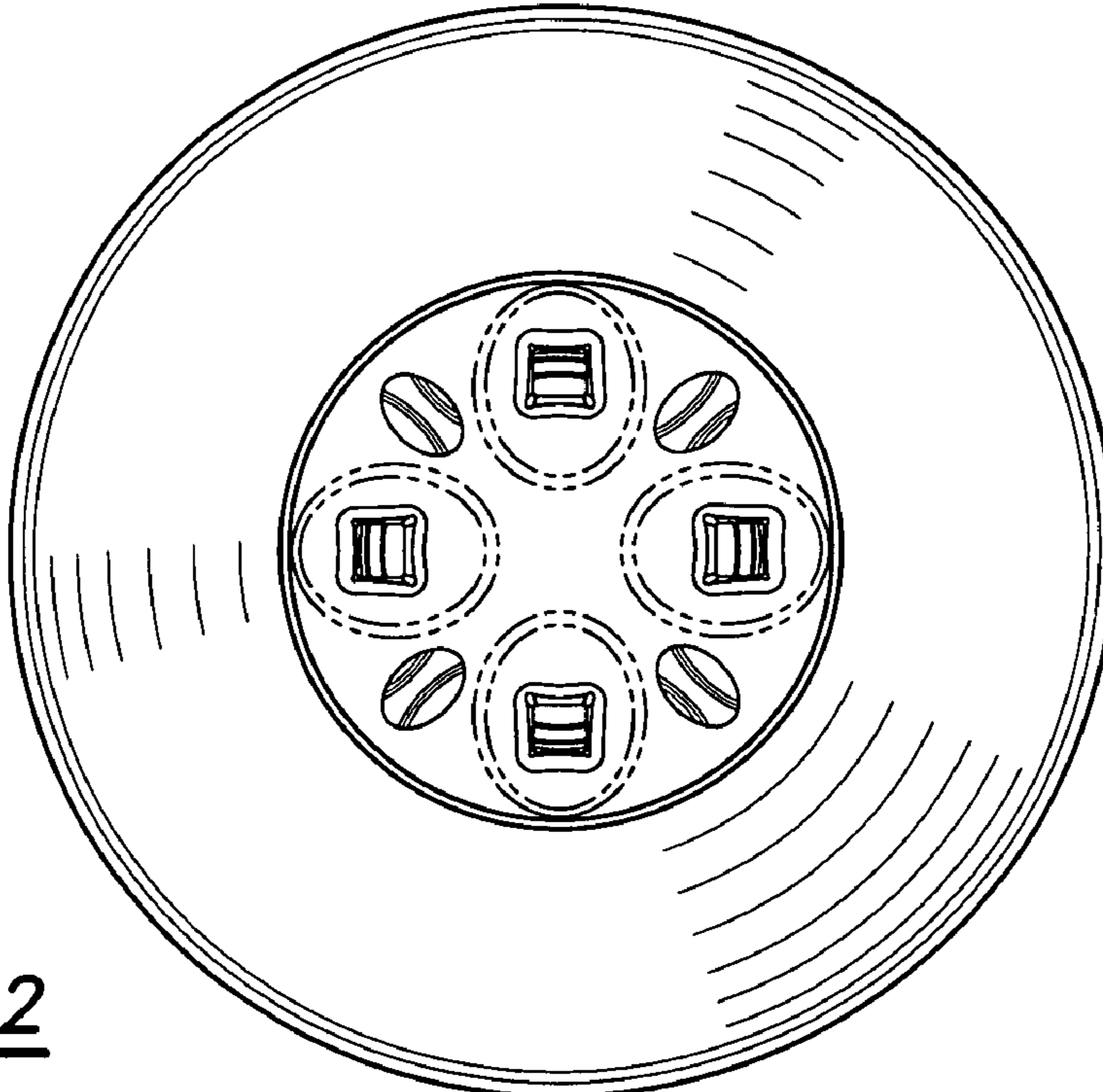


Fig-2

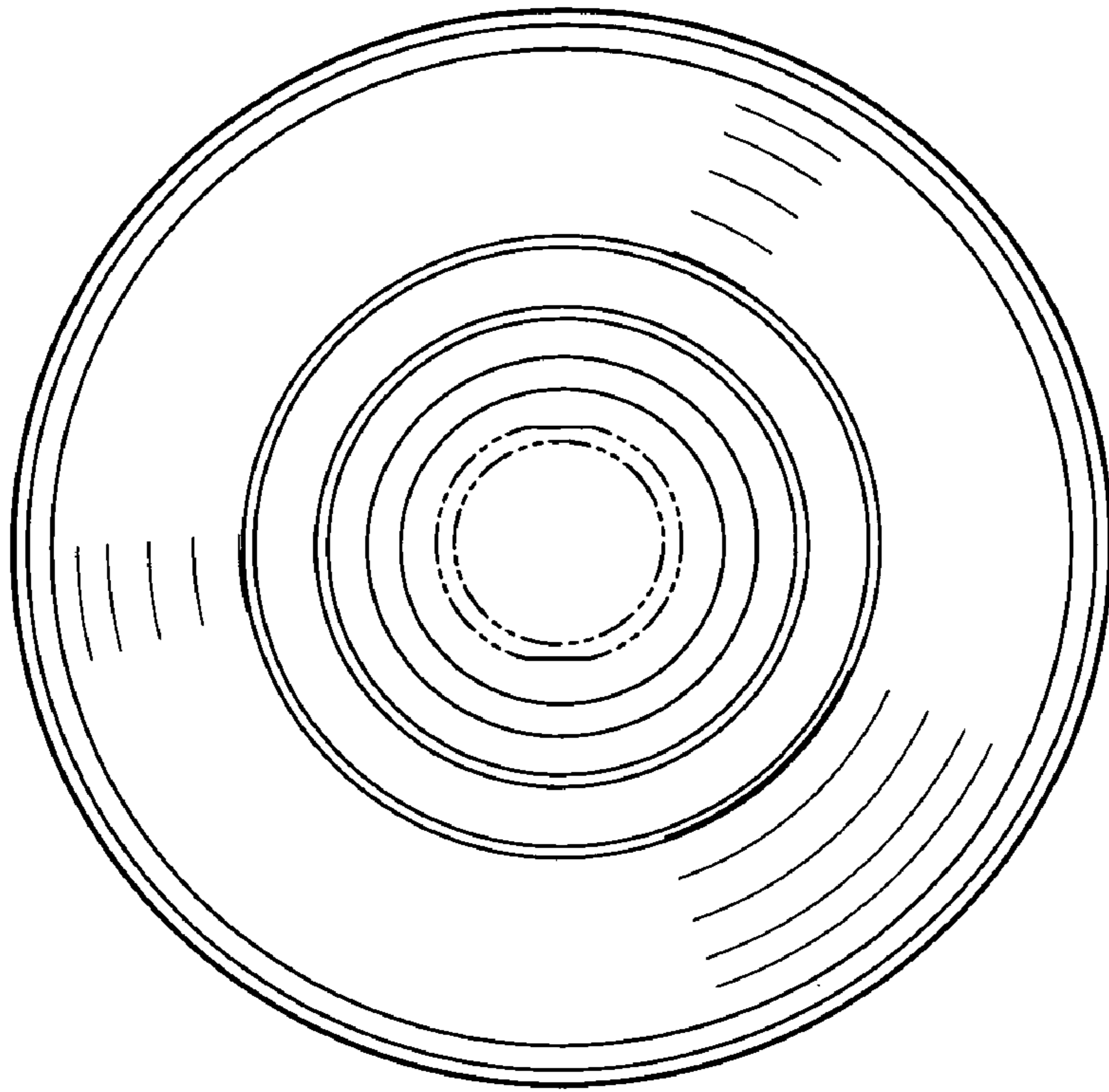


Fig-3

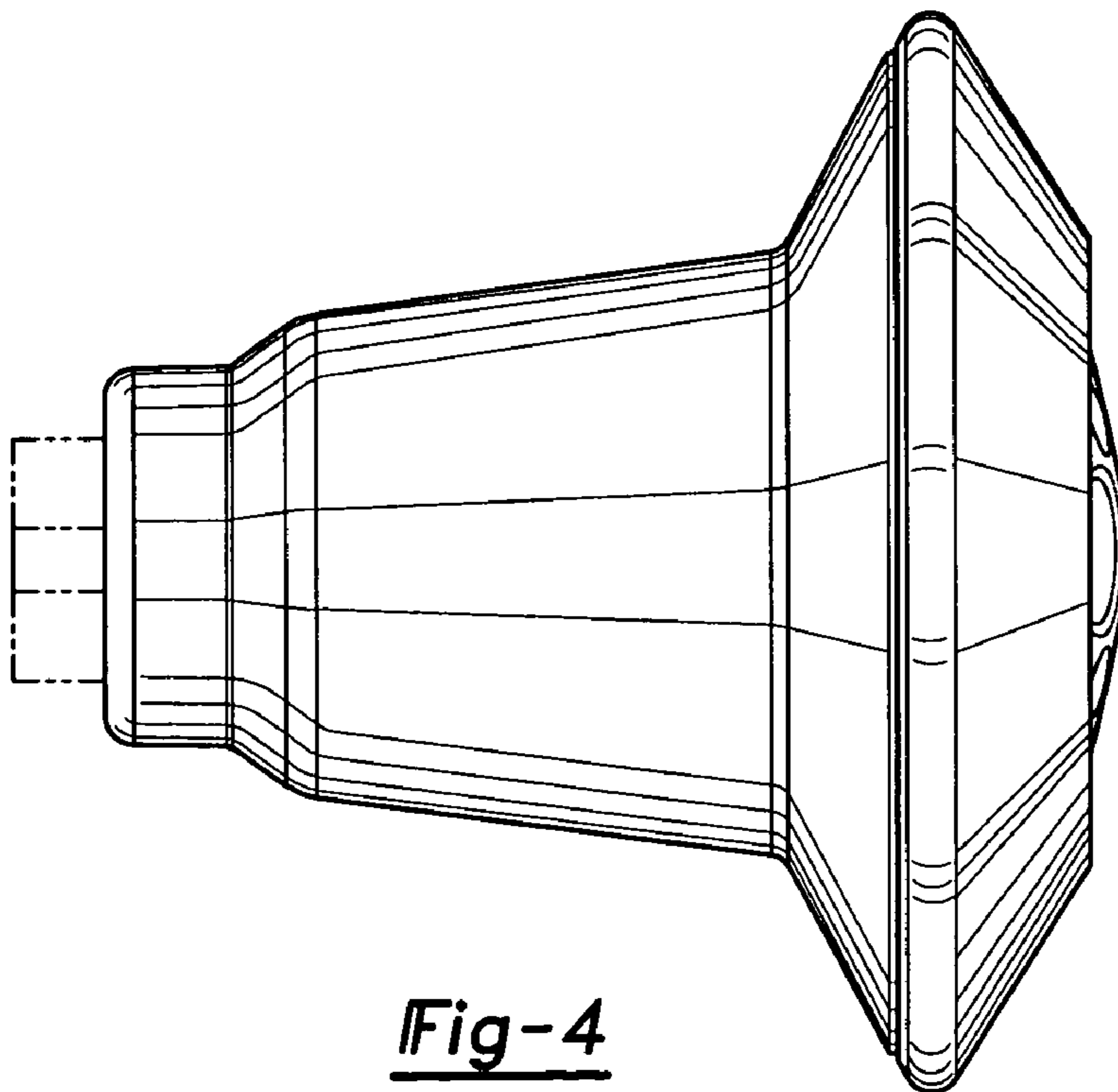


Fig-4

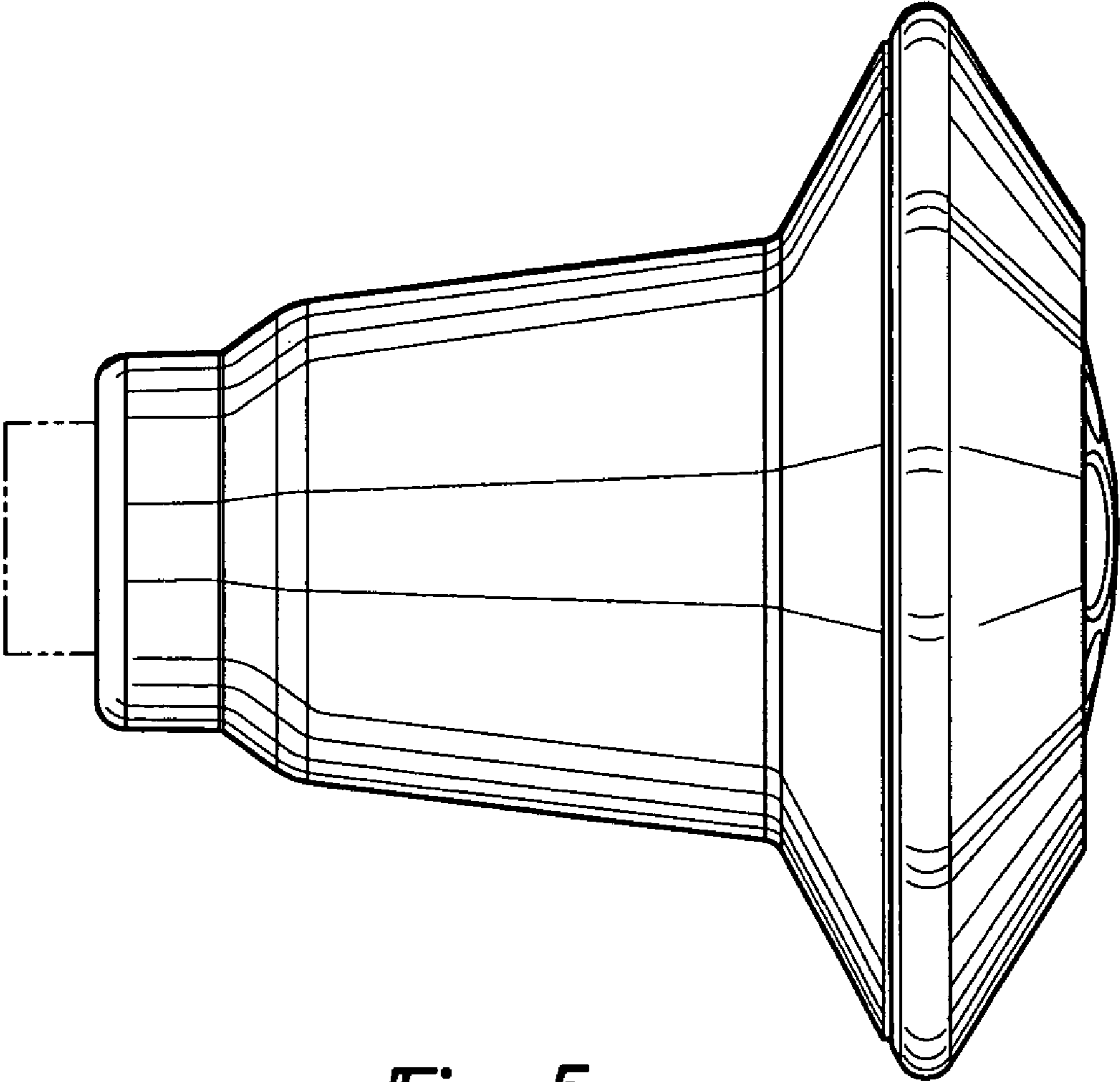


Fig-5