



(12) **United States Design Patent**  
**King et al.**

(10) **Patent No.:** **US D555,758 S**  
(45) **Date of Patent:** **\*\* Nov. 20, 2007**

- (54) **HANGER FOR A LAVATORY DISPENSING DEVICE**
- (75) Inventors: **Christopher King**, Montvale, NJ (US);  
**Dana Pheiff**, Bethlehem, PA (US)
- (73) Assignee: **Reckitt Benekiser Inc.**, Montvale, NJ (US)
- (\*\*) Term: **14 Years**
- (21) Appl. No.: **29/256,579**
- (22) Filed: **Mar. 22, 2006**
- (51) **LOC (8) Cl.** ..... **23-01**
- (52) **U.S. Cl.** ..... **D23/208**
- (58) **Field of Classification Search** ..... D23/207-208;  
4/225.1, 227.1, 223, 231  
See application file for complete search history.

- (56) **References Cited**  
U.S. PATENT DOCUMENTS  
4,168,551 A \* 9/1979 Hautmann et al. .... 4/231  
(Continued)

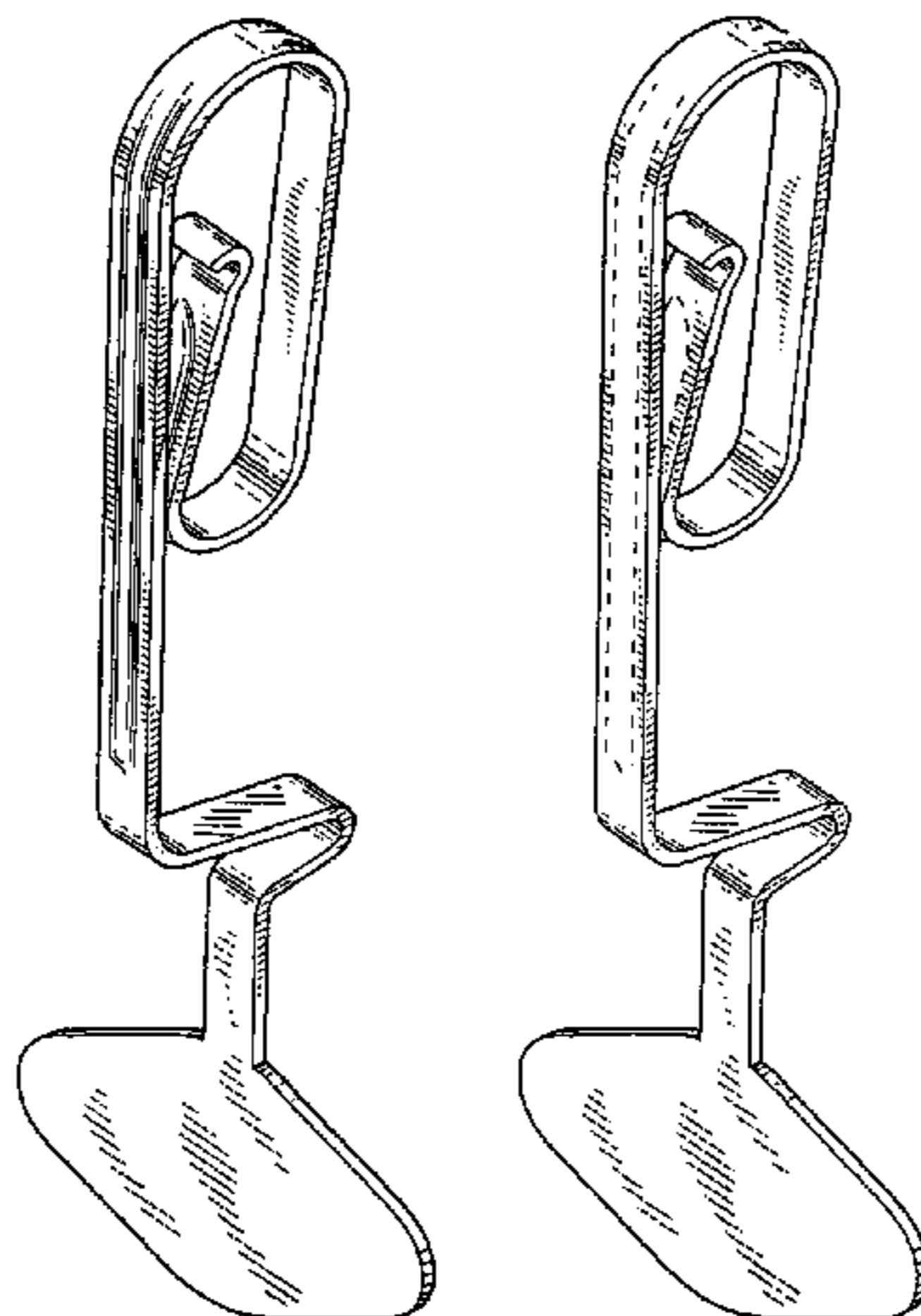
*Primary Examiner*—Robin Webster  
(74) *Attorney, Agent, or Firm*—Norris McLaughlin & Marcus, PA

(57) **CLAIM**  
The ornamental design for a hanger for a lavatory dispensing device, as shown and described.

**DESCRIPTION**  
FIG. 1 is a perspective view of the top and front of a first embodiment of my hanger;  
FIG. 2 is a plan view of the front of a first embodiment of my hanger;  
FIG. 3 is a plan view of a side of a first embodiment of my hanger; the other side of a first embodiment of my hanger which is not depicted in the figures is symmetrical with this side view;

FIG. 4 is a plan view of the back of a first embodiment of my hanger;  
FIG. 5 is a plan view of the bottom of a first embodiment of my hanger;  
FIG. 6 is a plan view of the top of a first embodiment of my hanger;  
FIG. 7 is a perspective view of the top and front of a first embodiment of my hanger further illustrating in phantom a lavatory block;  
FIG. 8 is a plan view of the front of a first embodiment of my hanger further illustrating in phantom a lavatory block;  
FIG. 9 is a plan view of a side of a first embodiment of my hanger further illustrating in phantom a lavatory block;  
FIG. 10 is a perspective view of the top and front of a second embodiment of my hanger;  
FIG. 11 is a plan view of the front of a second embodiment of my hanger;  
FIG. 12 is a plan view of a side of a second embodiment of my hanger; the other side of a second embodiment of my hanger which is not depicted in the figures is symmetrical with this side view;  
FIG. 13 is a plan view of the back of a second embodiment of my hanger;  
FIG. 14 is a plan view of the bottom of a second embodiment of my hanger;  
FIG. 15 is a plan view of the top of a second embodiment of my hanger;  
FIG. 16 is a perspective view of the top and front of a second embodiment of my hanger further illustrating in phantom a lavatory block;  
FIG. 17 is a plan view of the front of a second embodiment of my hanger further illustrating in phantom a lavatory block; and,  
FIG. 18 is a plan view of a side of a second embodiment of my hanger further illustrating in phantom a lavatory block.  
The broken line showing is included for the purpose of illustrating and forms no part of the claimed design.

**1 Claim, 7 Drawing Sheets**



# US D555,758 S

Page 2

---

## U.S. PATENT DOCUMENTS

4,203,172	A *	5/1980	Goncalves .....	4/231	6,505,356	B1 *	1/2003	Leonard et al. ....	4/231
4,261,957	A *	4/1981	Schimanski .....	4/231	D484,566	S *	12/2003	Legeay .....	D23/208
D273,607	S *	4/1984	Joyaux et al. ....	D23/208	D500,548	S *	1/2005	Conway et al. ....	D23/208
D307,934	S *	5/1990	Verebelyi .....	D23/208	D508,549	S *	8/2005	Keramidas .....	D23/208
D387,848	S *	12/1997	Thompson et al. ....	D23/208	6,934,973	B2 *	8/2005	Lehmann et al. ....	4/231
D419,347	S *	1/2000	Leonard .....	D23/208	D514,661	S *	2/2006	Weller et al. ....	D23/208
D464,107	S *	10/2002	Holmes et al. ....	D23/208	D523,923	S *	6/2006	Nguyen et al. ....	D23/208

\* cited by examiner

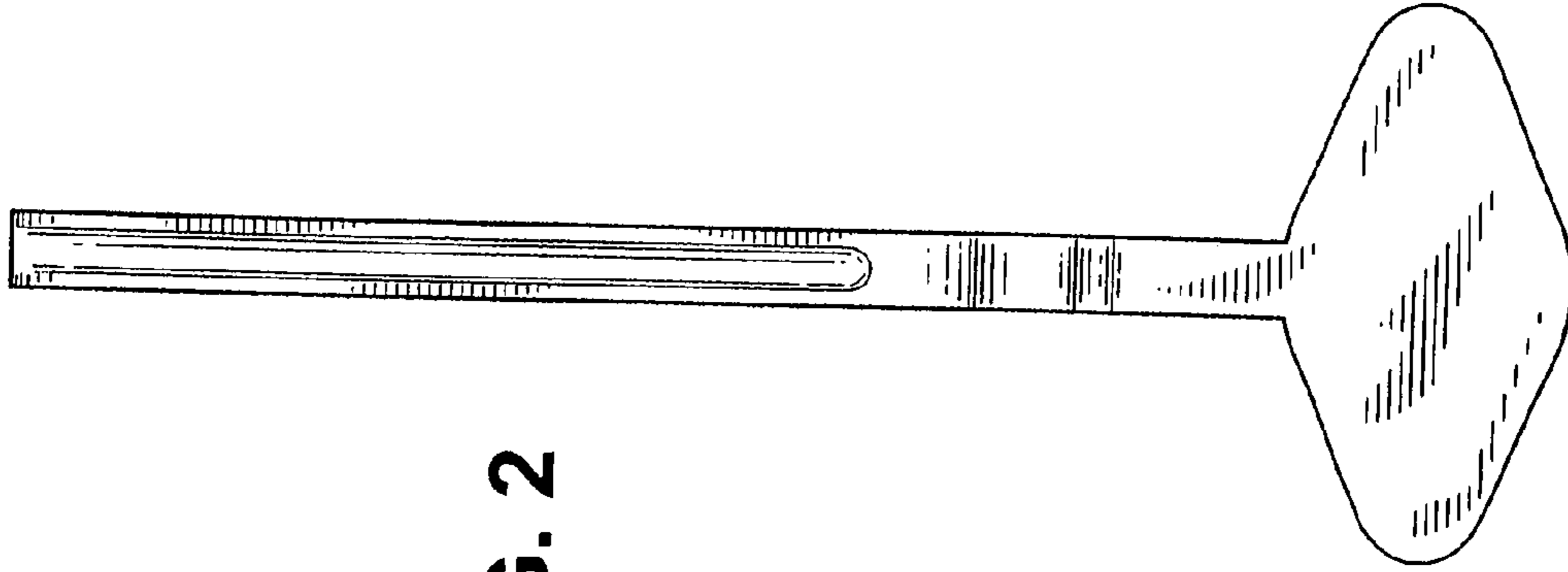


FIG. 2

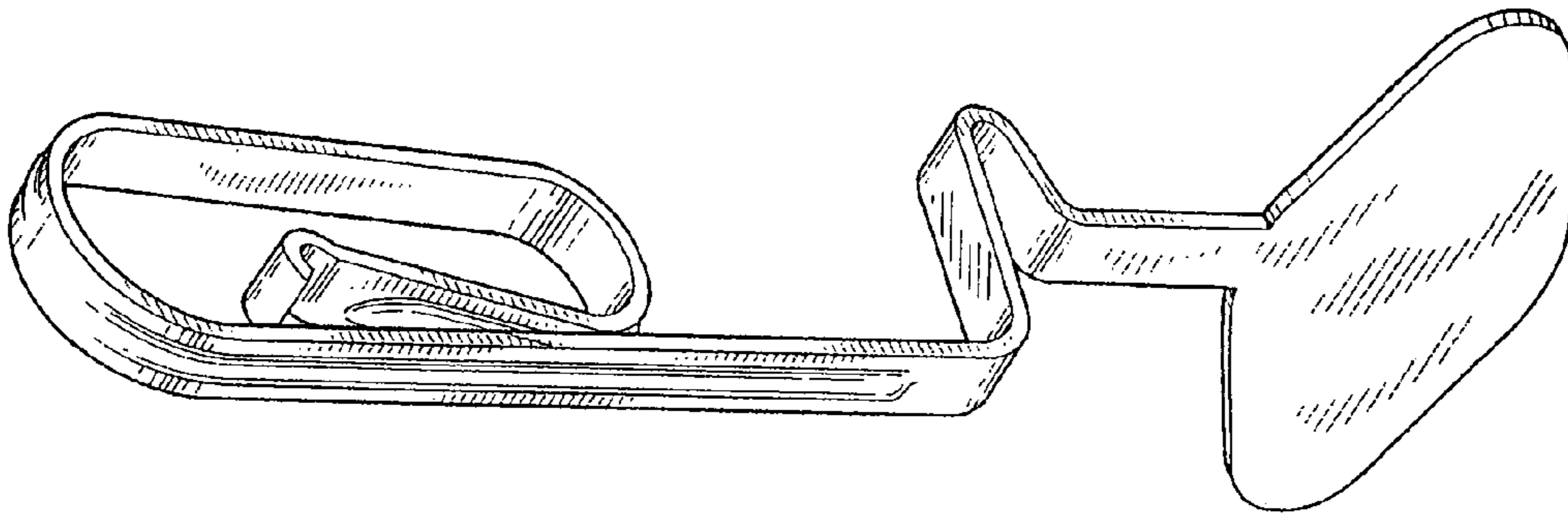


FIG. 1

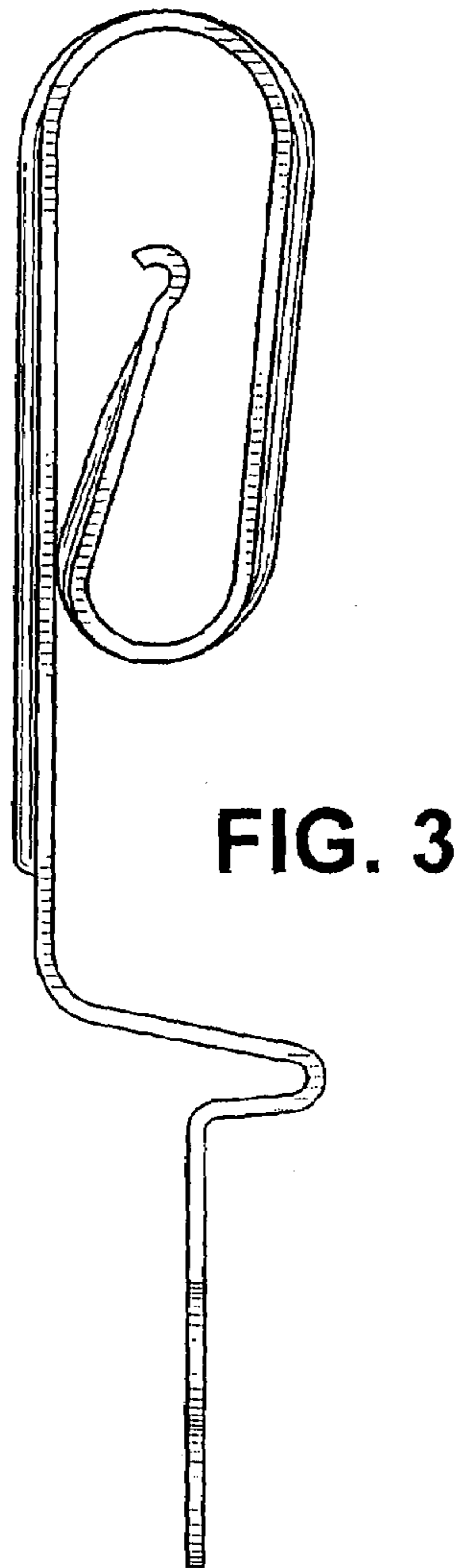


FIG. 4

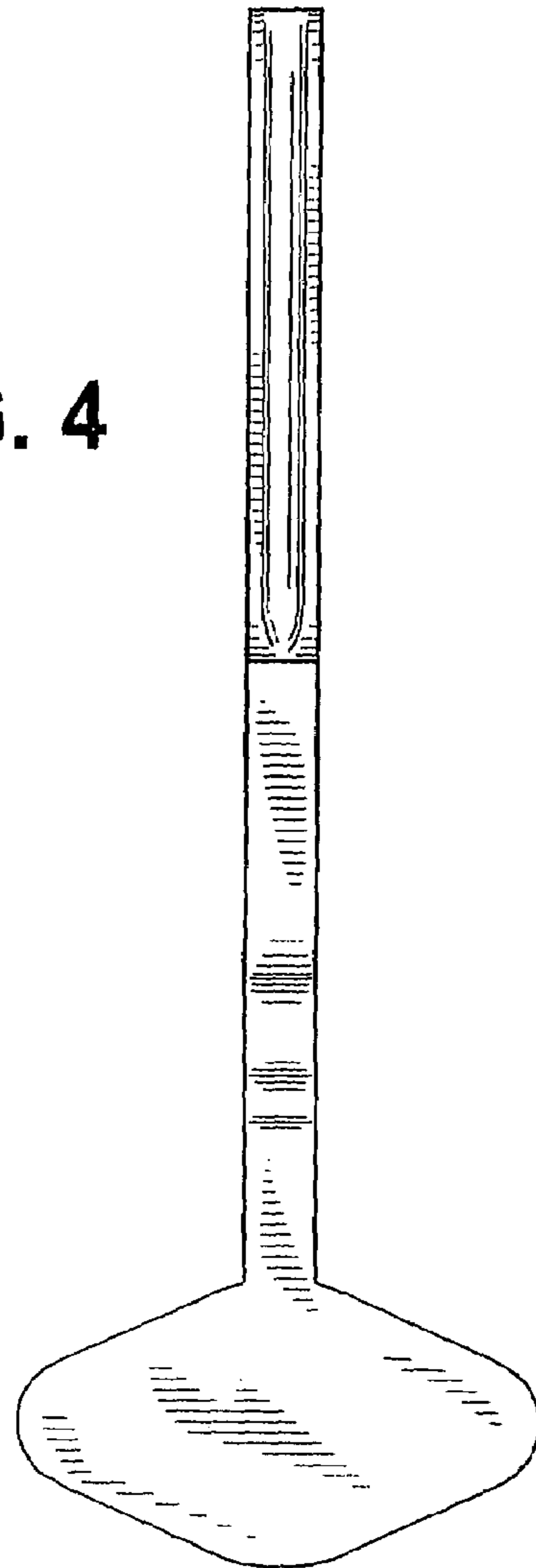


FIG. 5

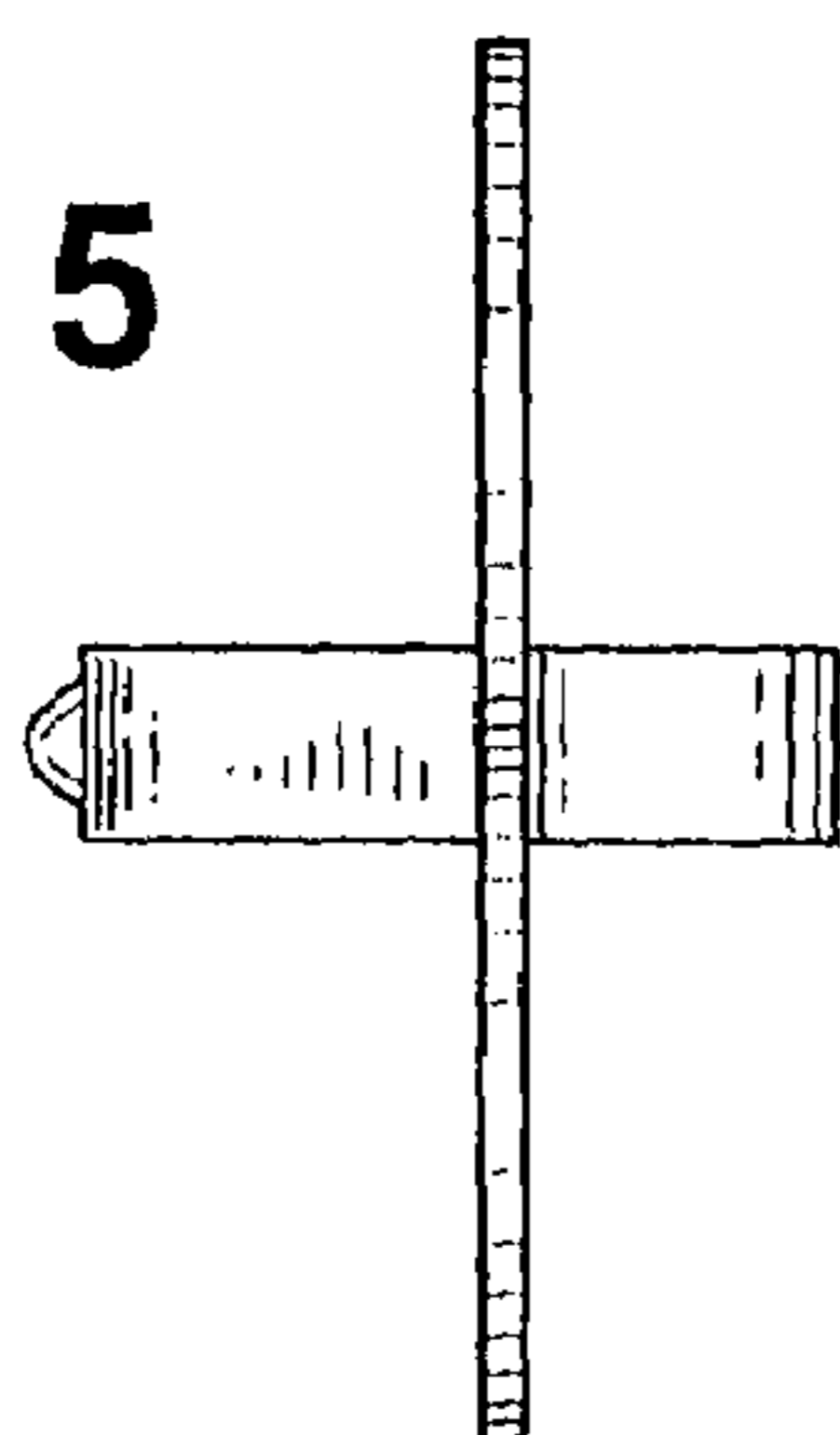
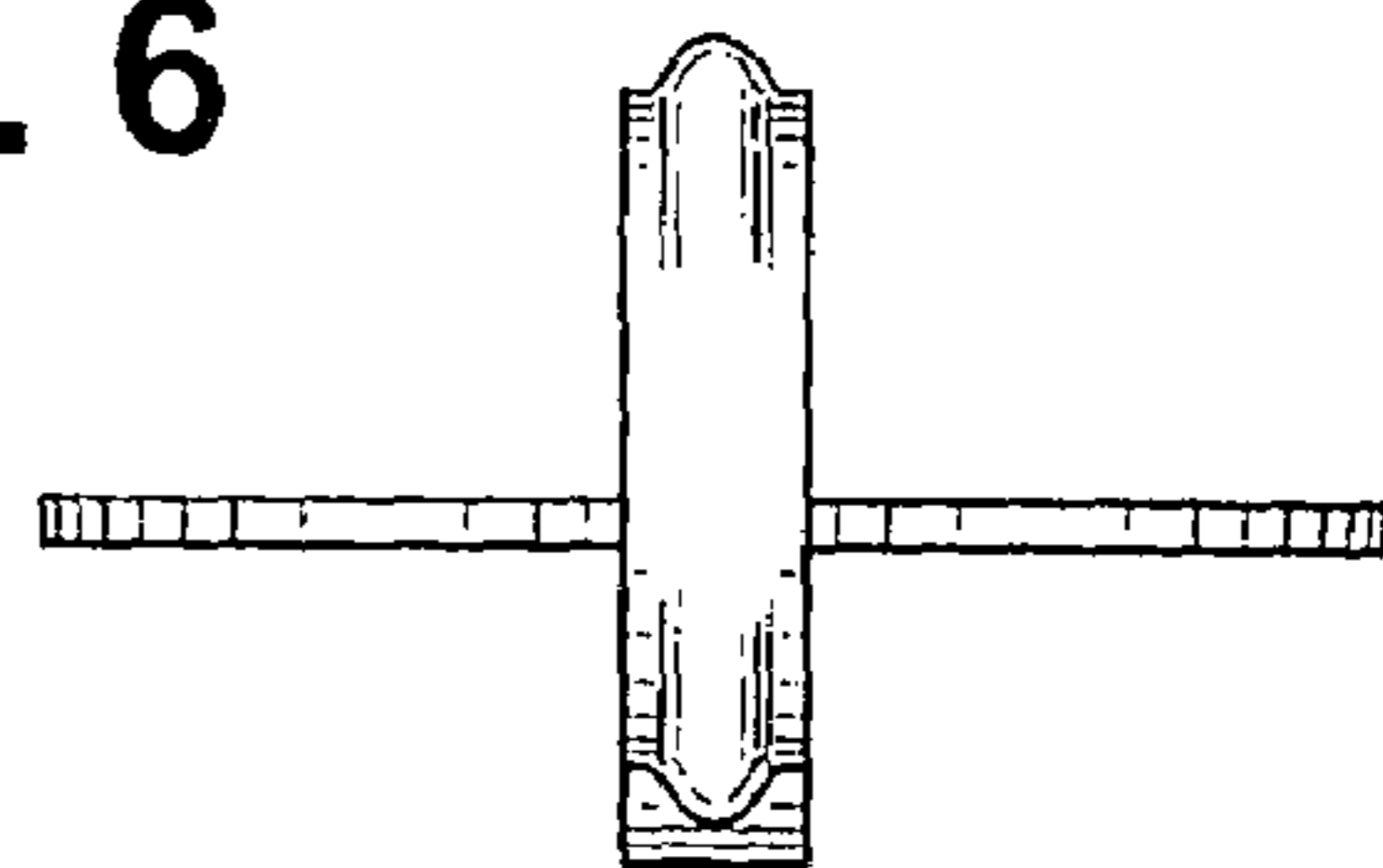


FIG. 6



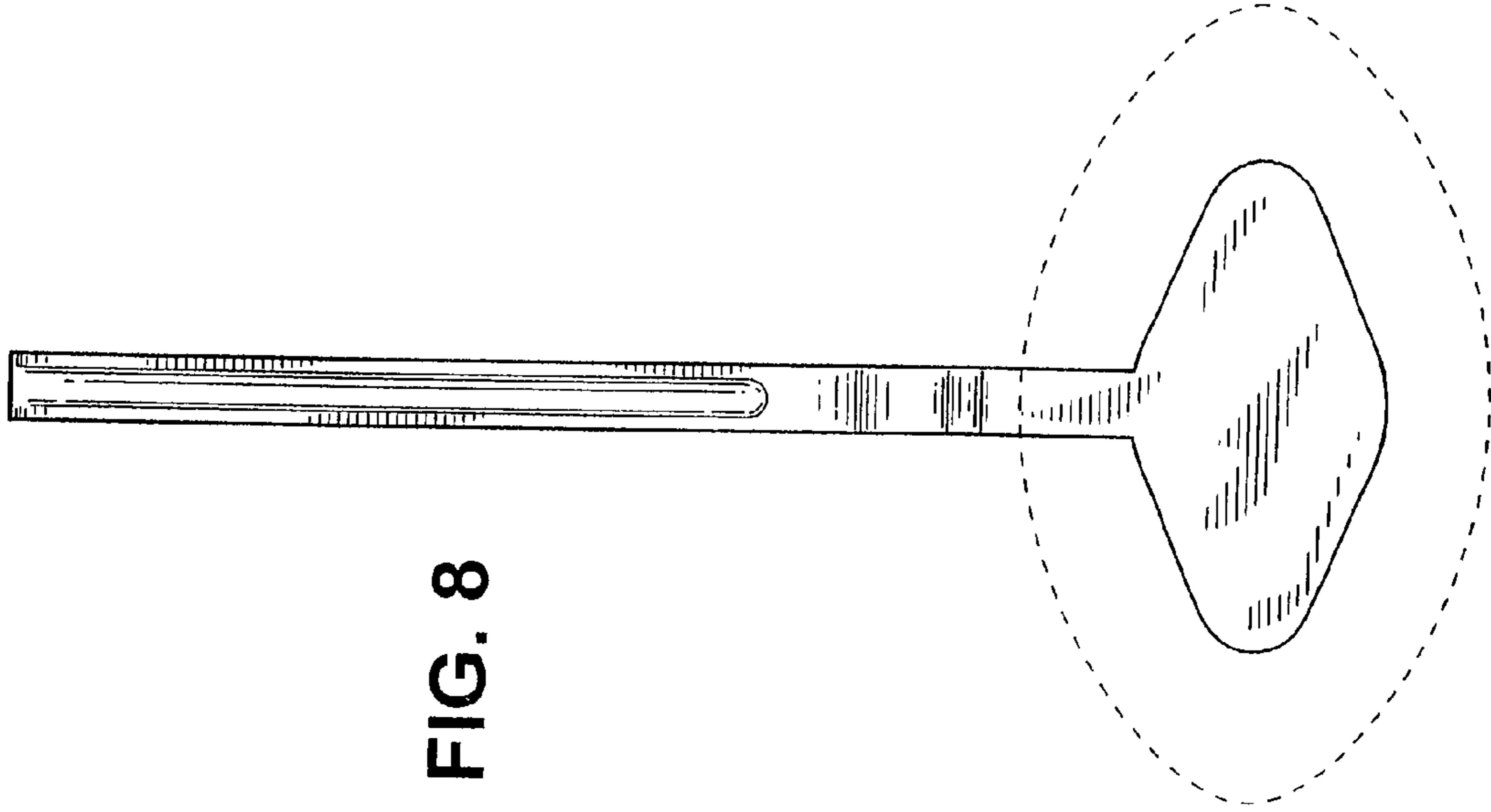


FIG. 8

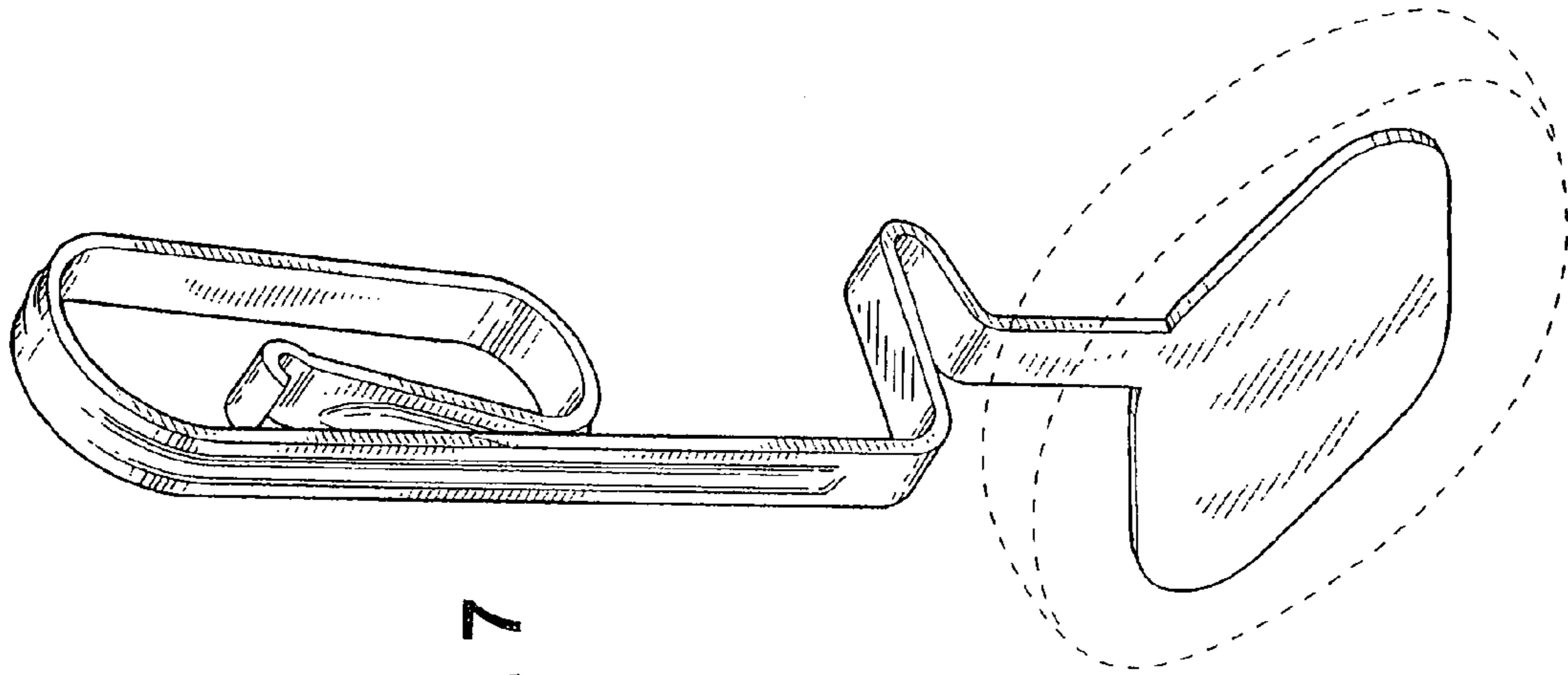


FIG. 7

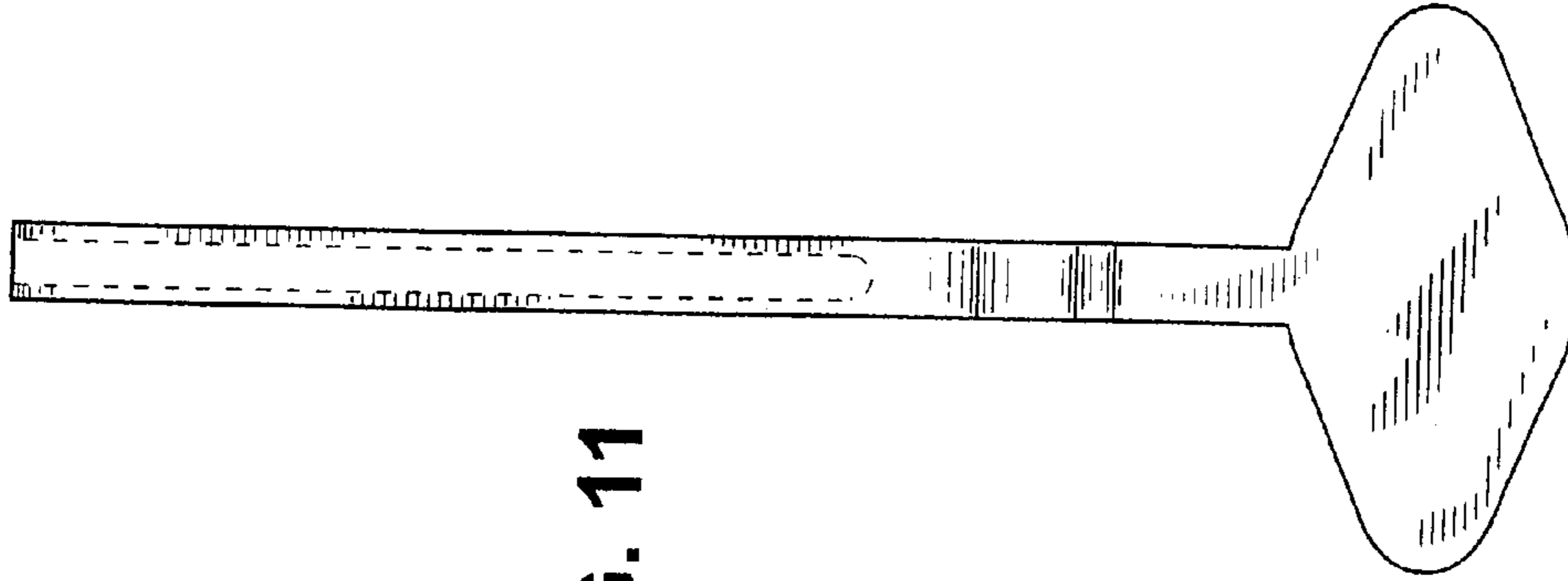


FIG. 11

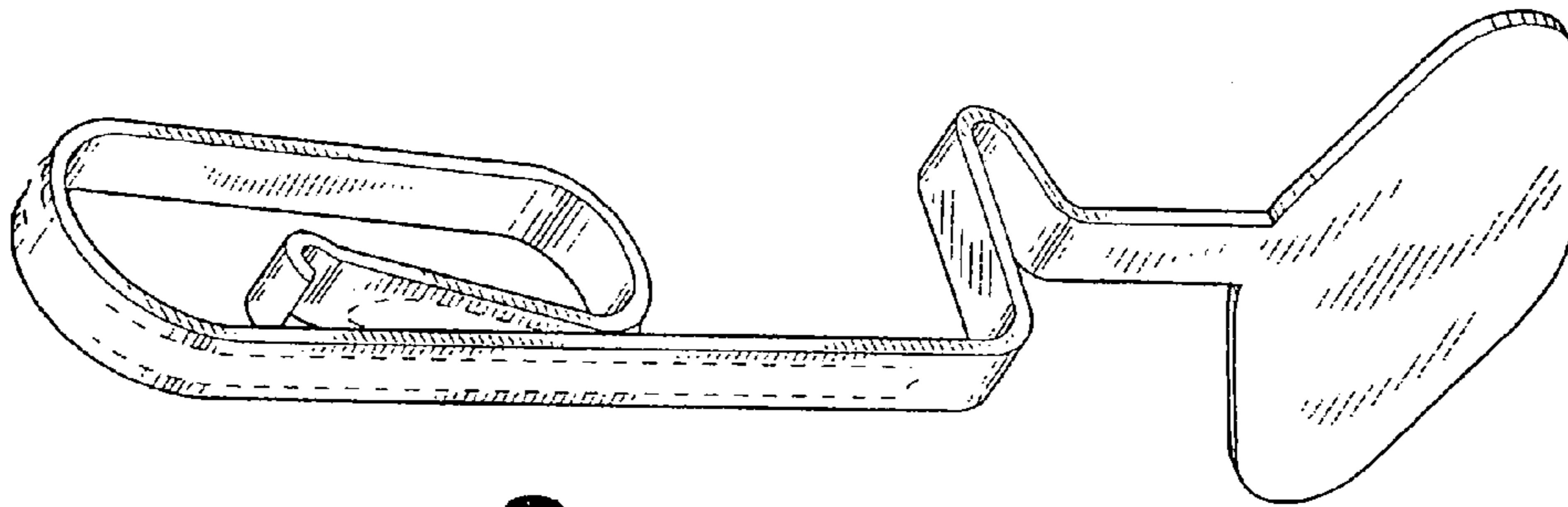


FIG. 10

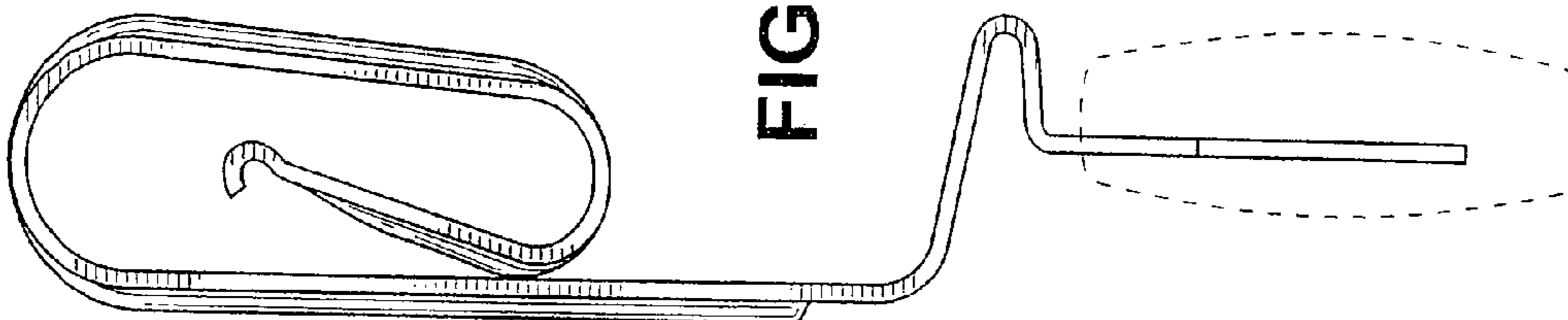


FIG. 9

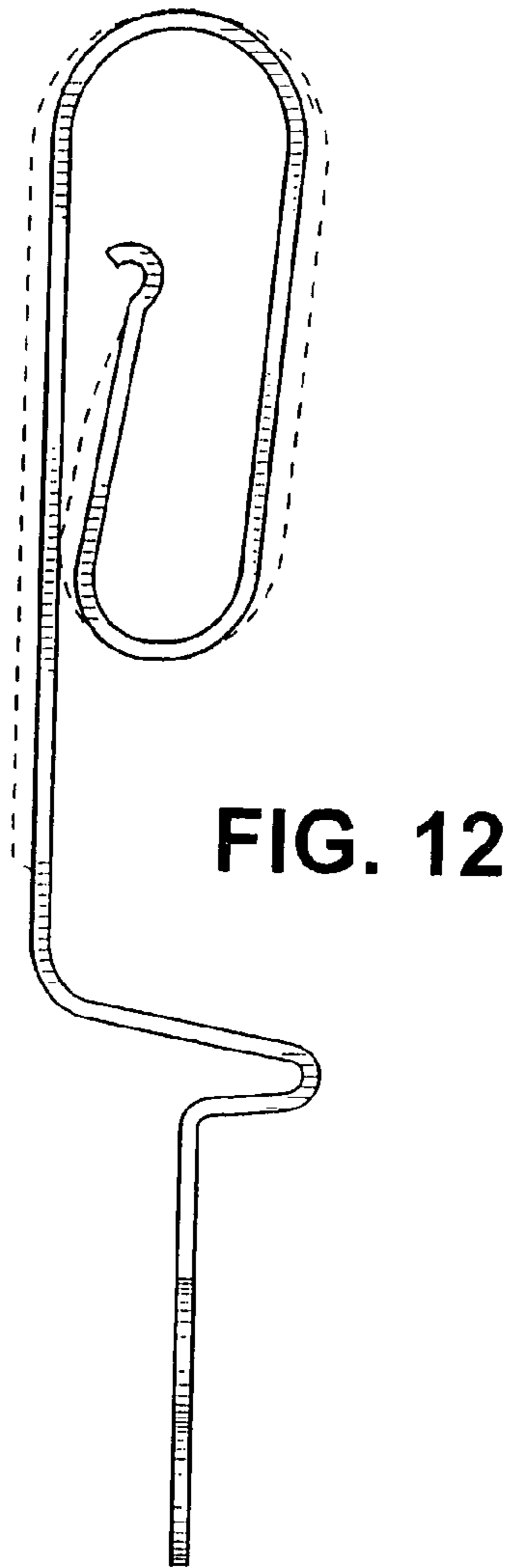


FIG. 13

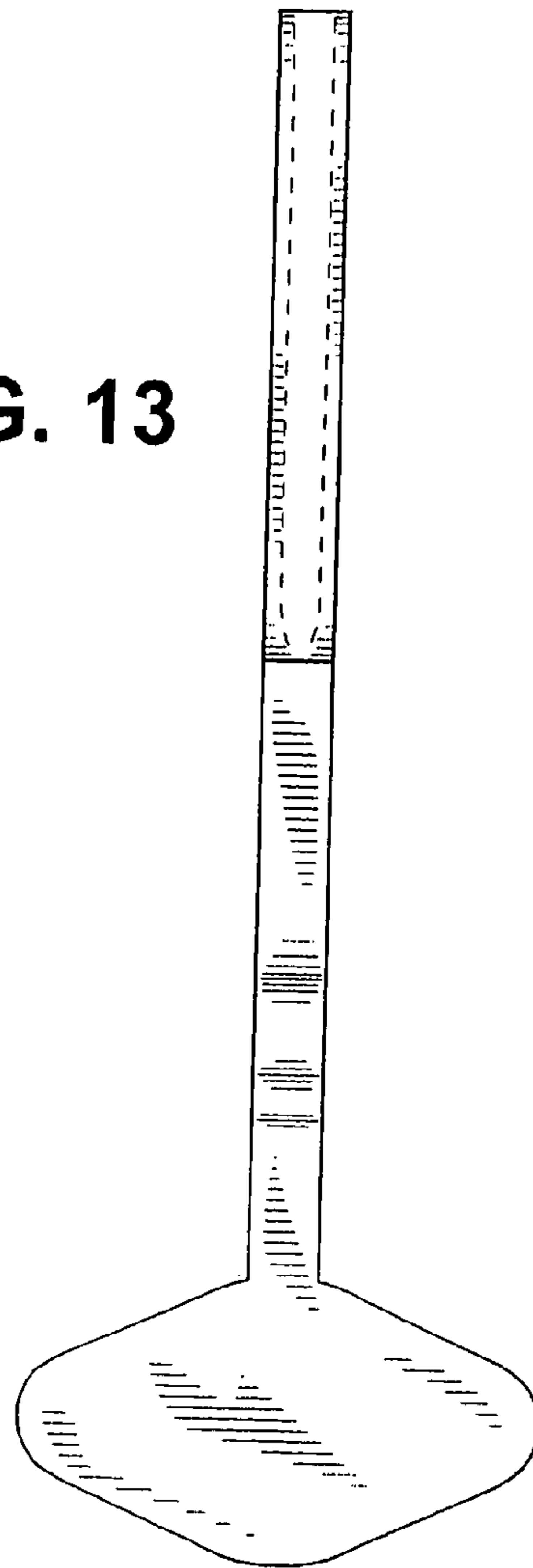


FIG. 14

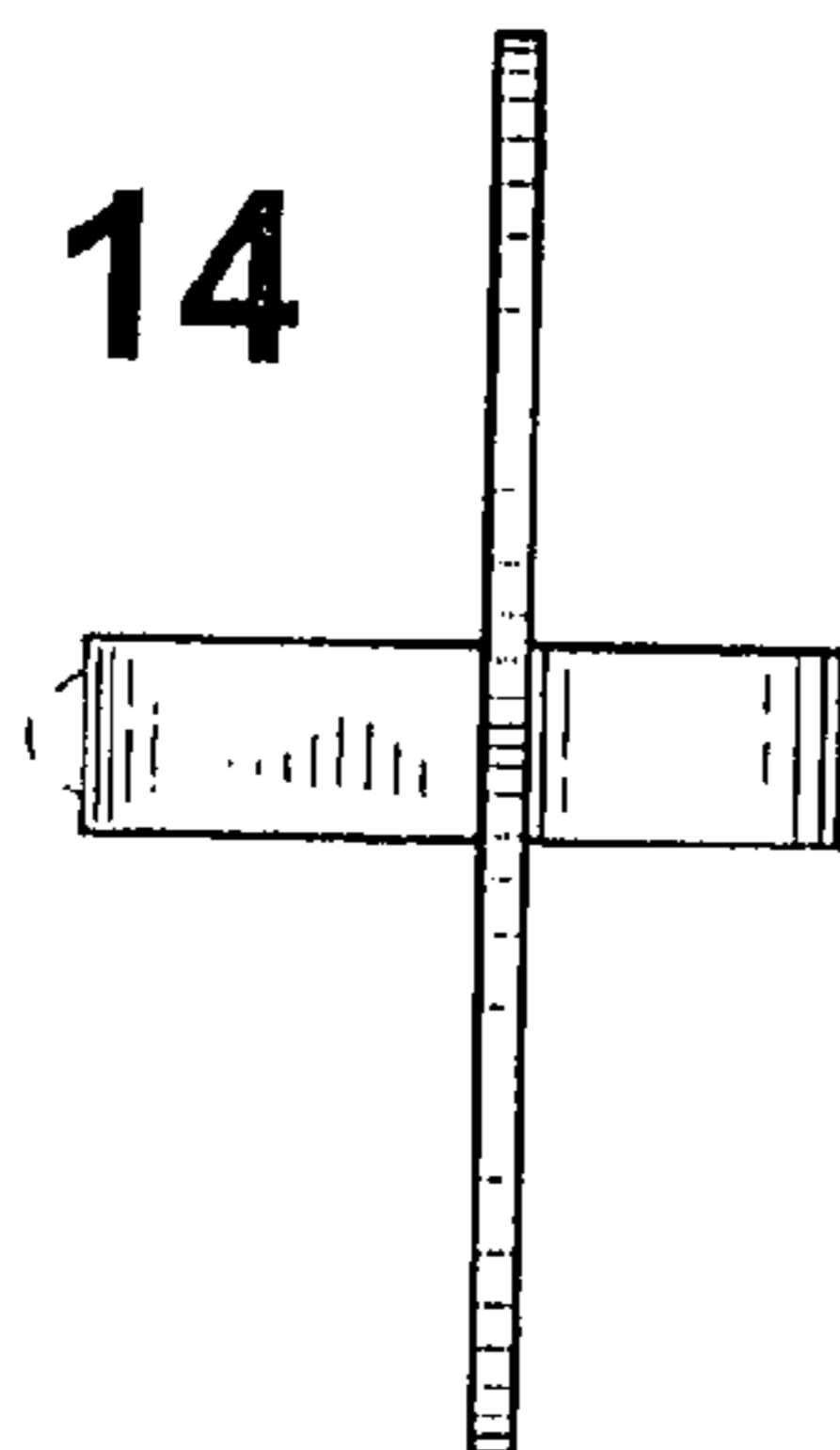
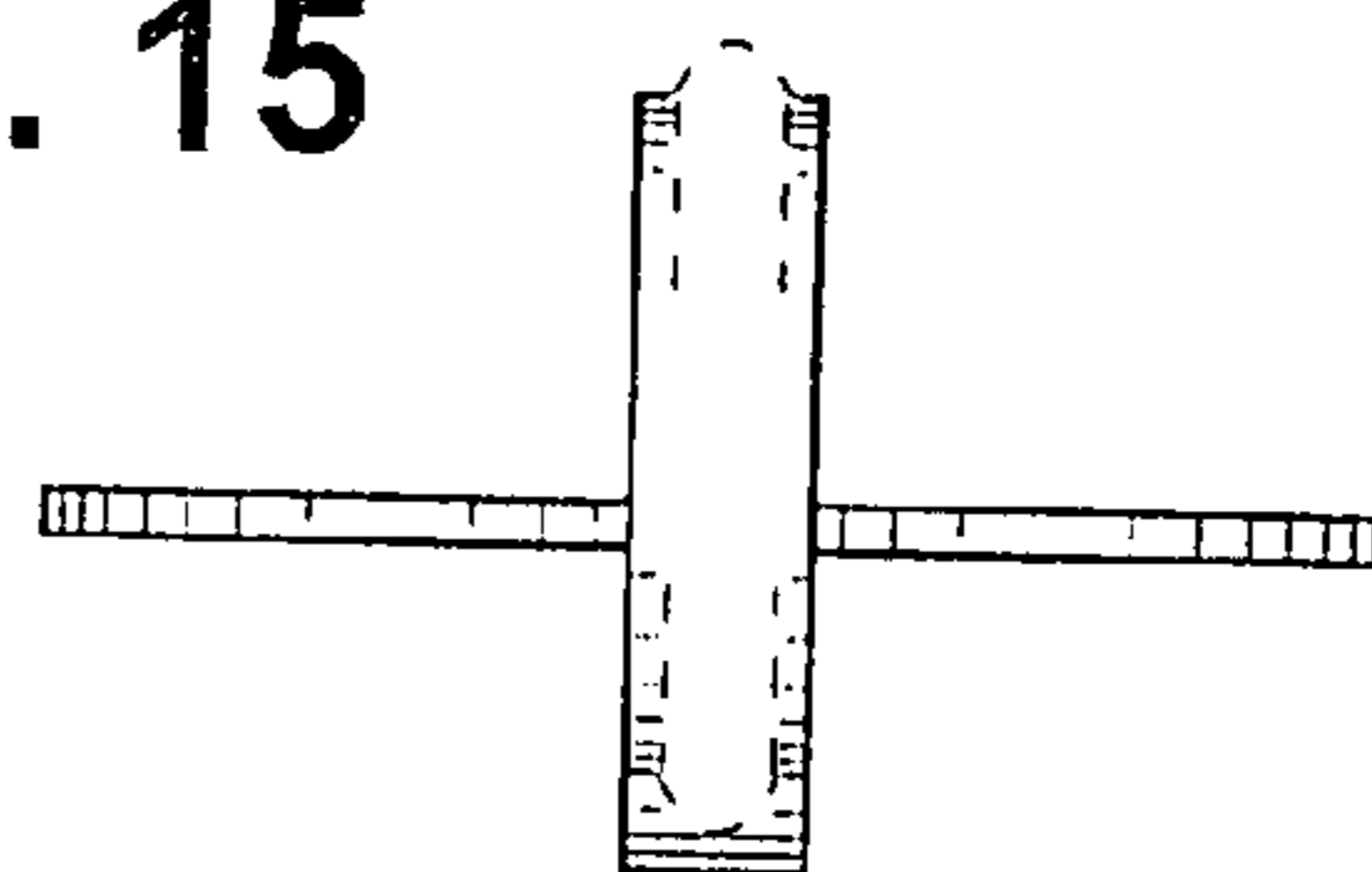


FIG. 15



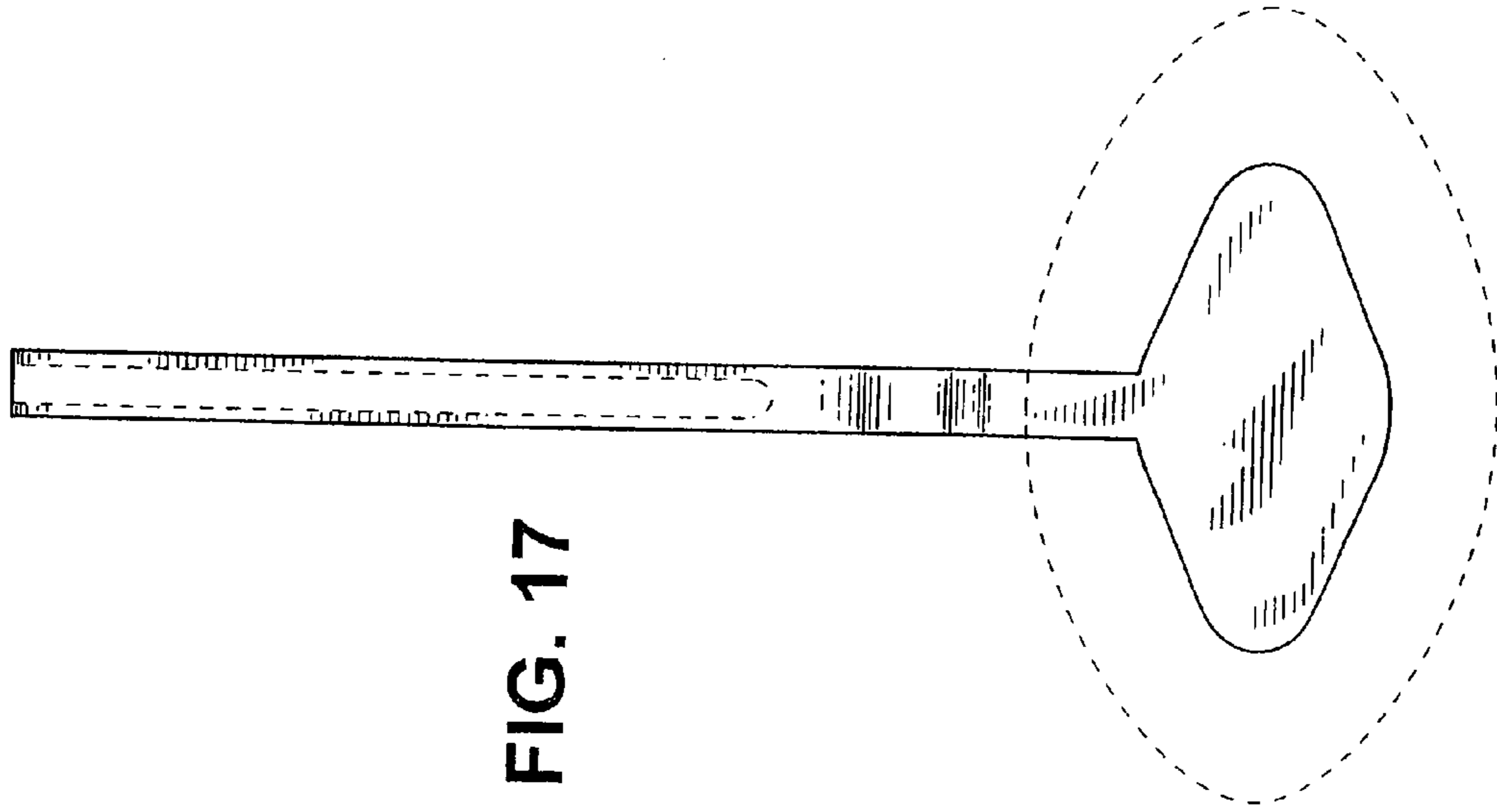


FIG. 17

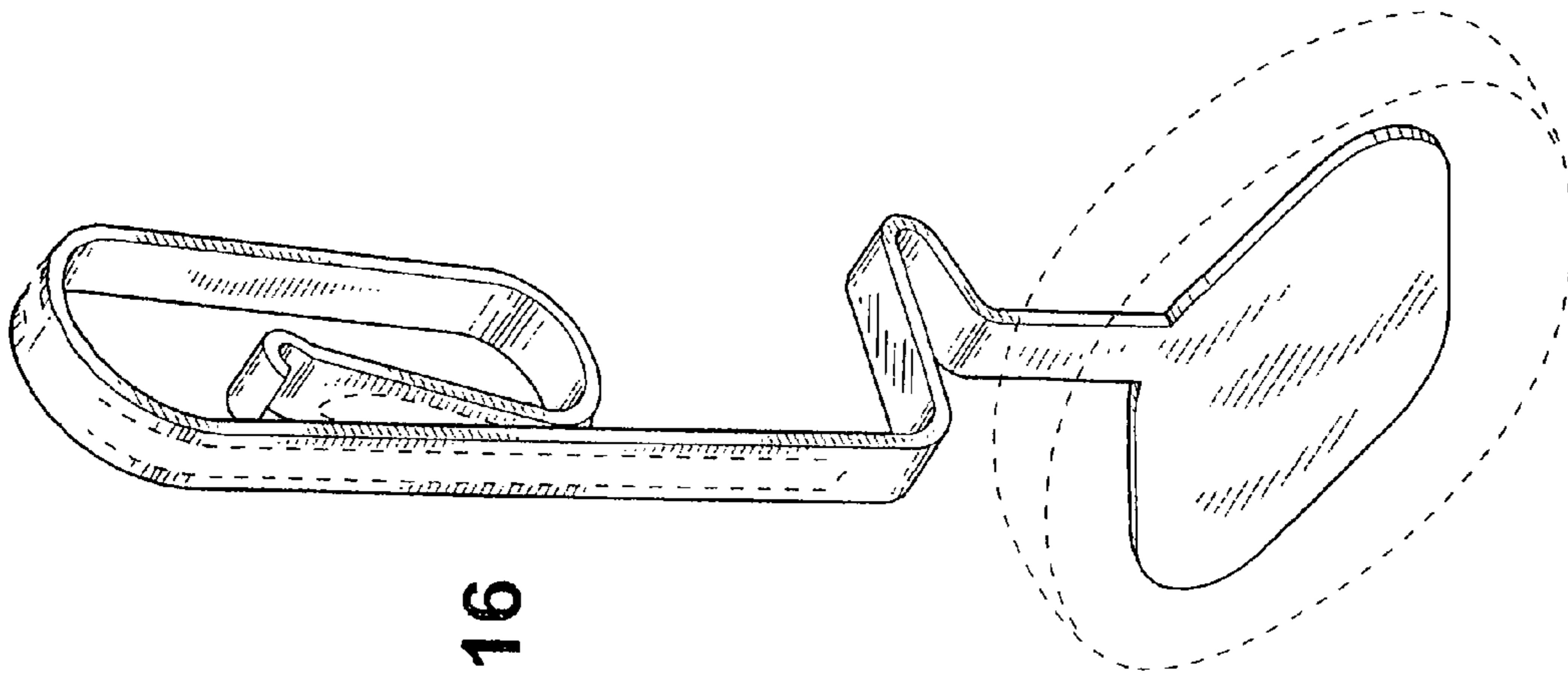
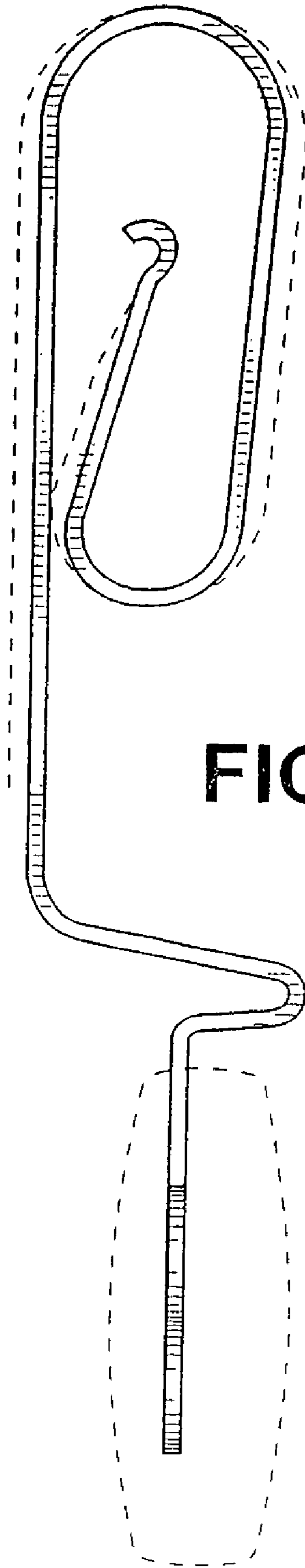


FIG. 16





**FIG. 18**