



US00D555757S

(12) **United States Design Patent**
Cheung et al.

(10) **Patent No.:** **US D555,757 S**

(45) **Date of Patent:** **** Nov. 20, 2007**

(54) **LAVATORY DEVICE**

(75) Inventors: **Tak Wai Cheung**, Montvale, NJ (US);
Edward Fu, Montvale, NJ (US);
Lamson Nguyen, Somerset, NJ (US);
Tri Nguyen, Montvale, NJ (US);
Jeanne Marie Weller, Montvale, NJ
(US); **Steven Wu**, Montvale, NJ (US);
Diane Neiman, Montvale, NJ (US)

(73) Assignee: **Reckitt Benckiser Inc.**, Montvale, NJ
(US)

(**) Term: **14 Years**

(21) Appl. No.: **29/247,859**

(22) Filed: **Jul. 17, 2006**
(Under 37 CFR 1.47)

Related U.S. Application Data

(63) Continuation of application No. 29/222,628, filed on
Feb. 2, 2005, now abandoned.

(30) **Foreign Application Priority Data**

Aug. 4, 2004 (GB) 3018324

(51) **LOC (8) Cl.** **23-01**

(52) **U.S. Cl.** **D23/208**

(58) **Field of Classification Search** D23/208;
4/223, 231, 225.1, 227.1

See application file for complete search history.

(56) **References Cited**

U.S. PATENT DOCUMENTS

D243,850 S * 3/1977 Davenport D23/208
4,143,431 A * 3/1979 Goncalves 4/231
4,203,172 A * 5/1980 Goncalves 4/231

4,777,670 A * 10/1988 Klinkhammer et al. 4/231
D307,934 S * 5/1990 Verebelyi D23/208
6,311,340 B1 * 11/2001 Thompson 4/231
D507,628 S * 7/2005 McLellan et al. D23/208

* cited by examiner

Primary Examiner—Robin V. Webster

(74) *Attorney, Agent, or Firm*—Norris McLaughlin &
Marcus, PA

(57) **CLAIM**

The ornamental design for a lavatory device, as shown and
described.

DESCRIPTION

FIG. 1 is a front perspective view of a lavatory device
(portions not claimed shown with broken lines);

FIG. 2 is a rear perspective view thereof (portions not
claimed shown with broken lines);

FIG. 3 is a plan view of a front face thereof (portions not
claimed shown with broken lines);

FIG. 4 is a plan view of a rear face thereof (portions not
claimed shown with broken lines);

FIG. 5 is a left side elevational view thereof (portions not
claimed shown with broken lines);

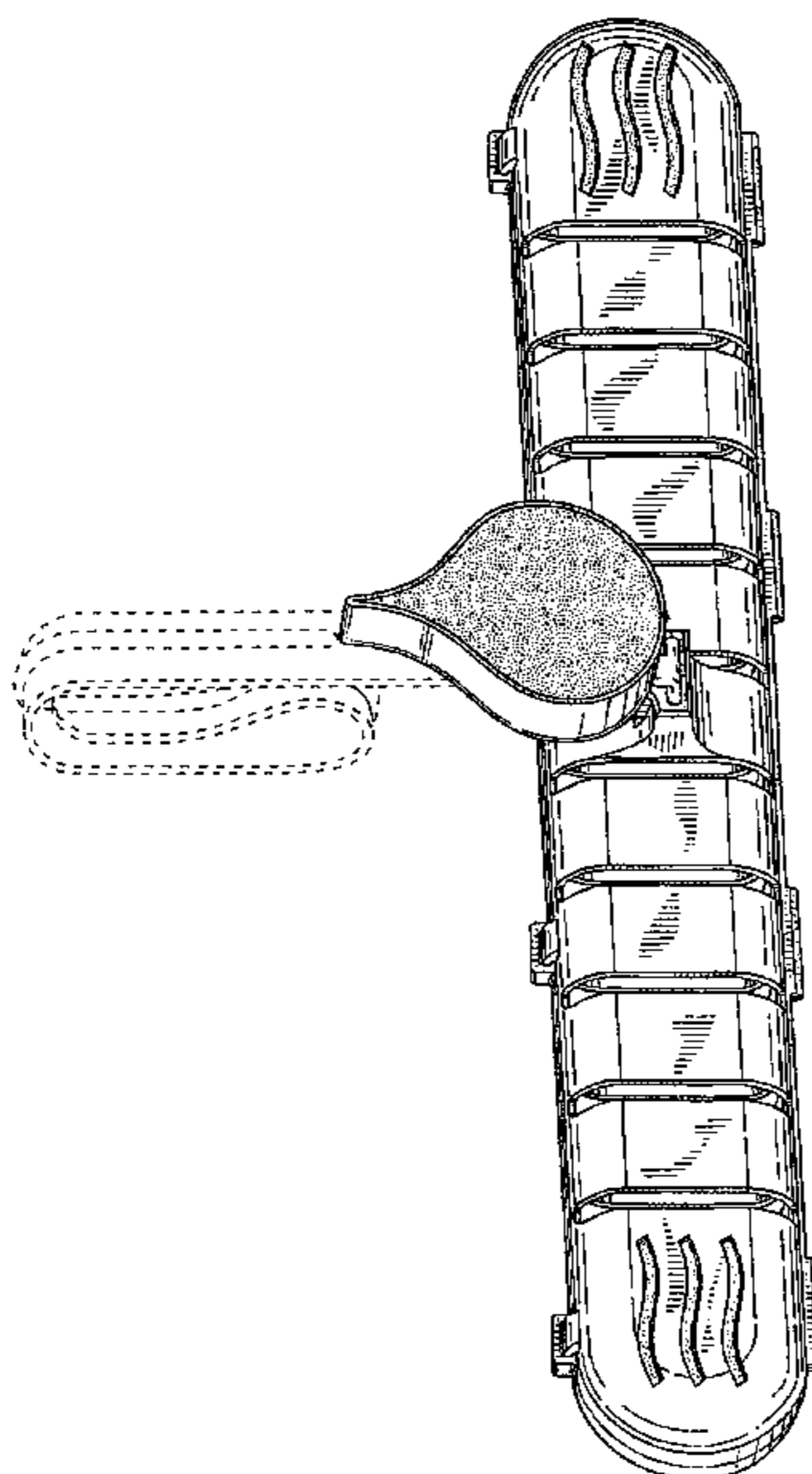
FIG. 6 is a right side elevational view thereof (portions not
claimed shown with broken lines);

FIG. 7 is a plan view of a top face thereof (portions not
claimed shown with broken lines); and,

FIG. 8 is a plan view of a bottom face thereof (portions not
claimed shown with broken lines).

The broken line showing the lavatory device coupled with
the ornamental design in FIGS. 1–8 is for illustrative pur-
poses only and forms no part of the claimed design.

1 Claim, 6 Drawing Sheets



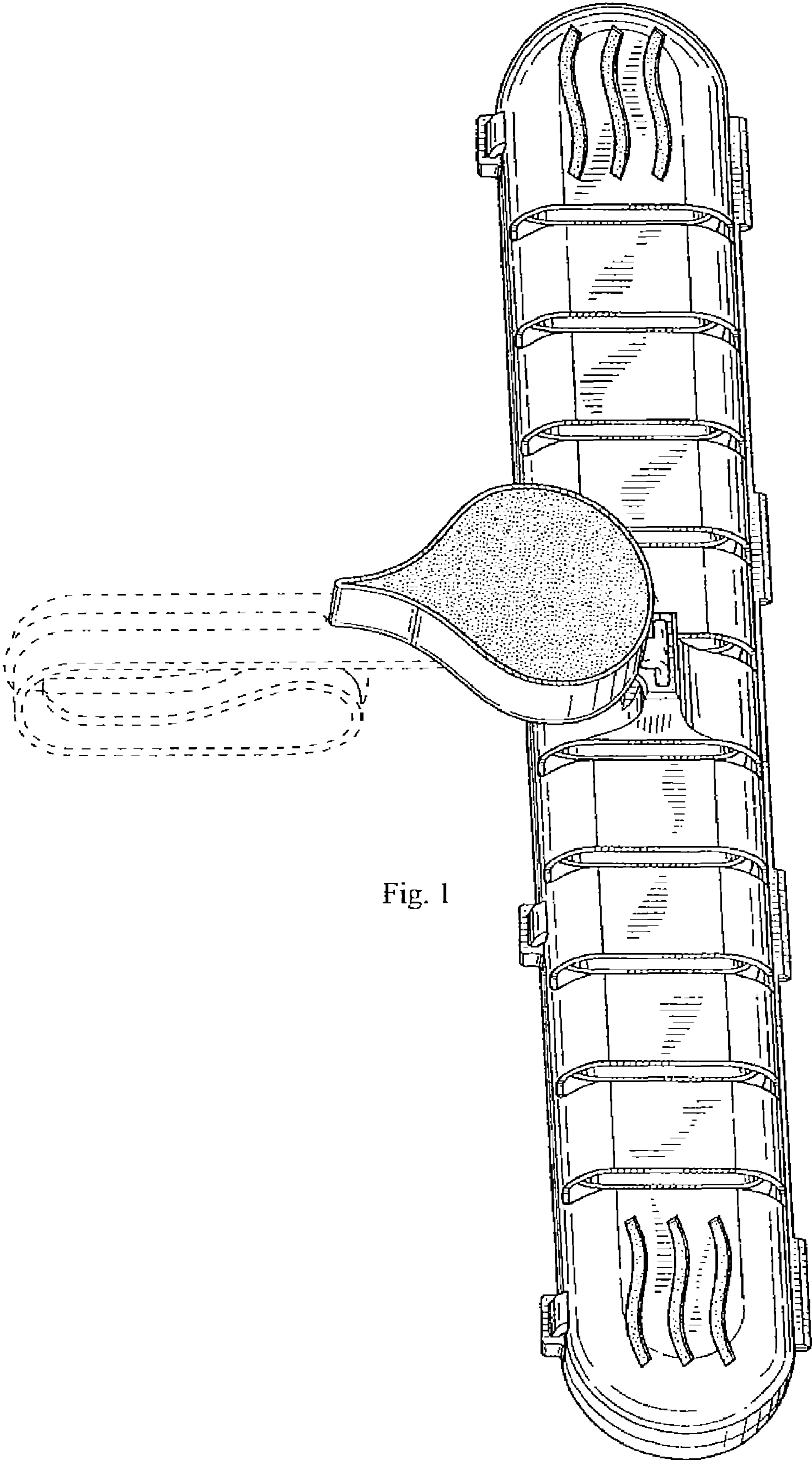


Fig. 1

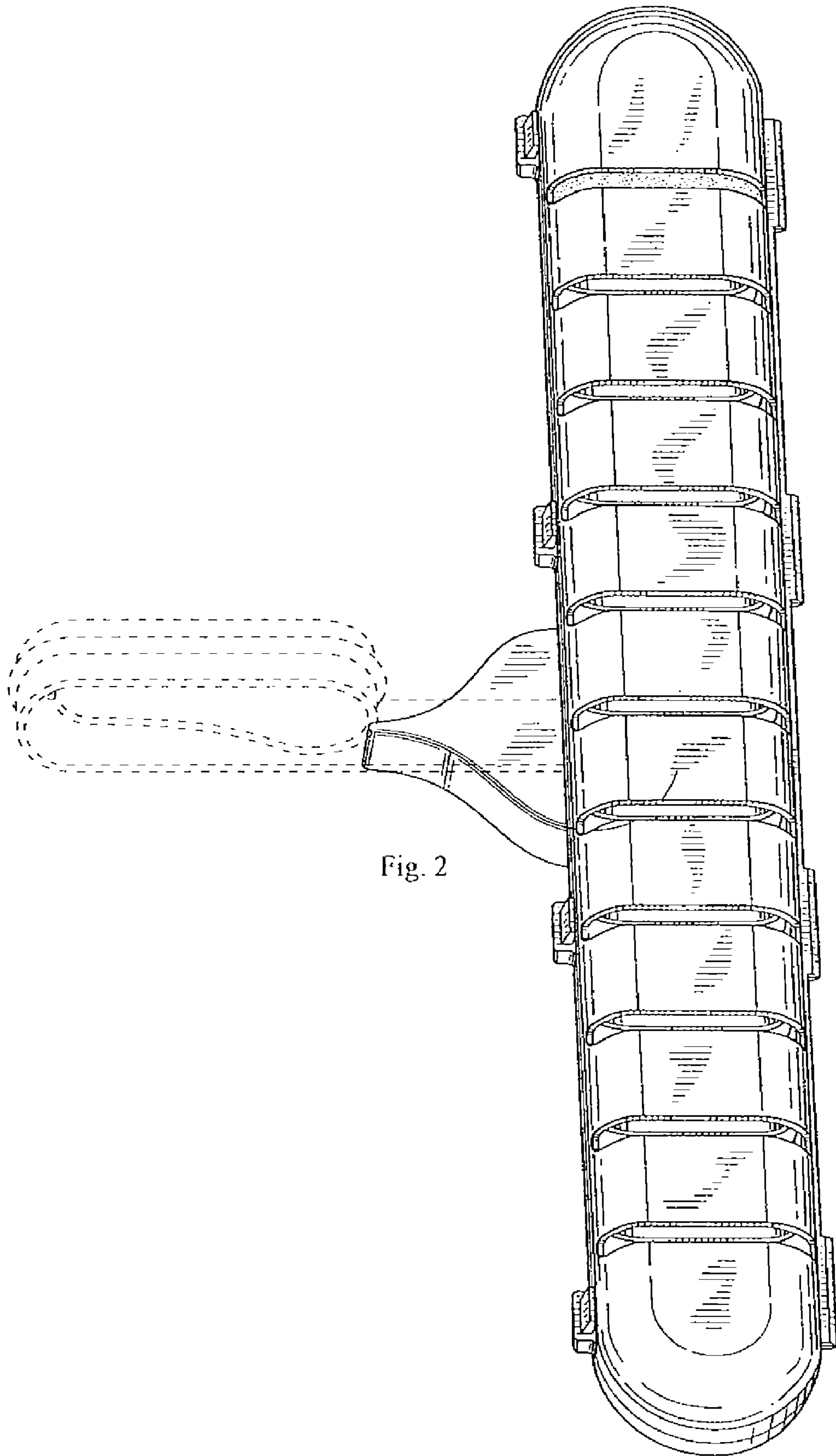


Fig. 2

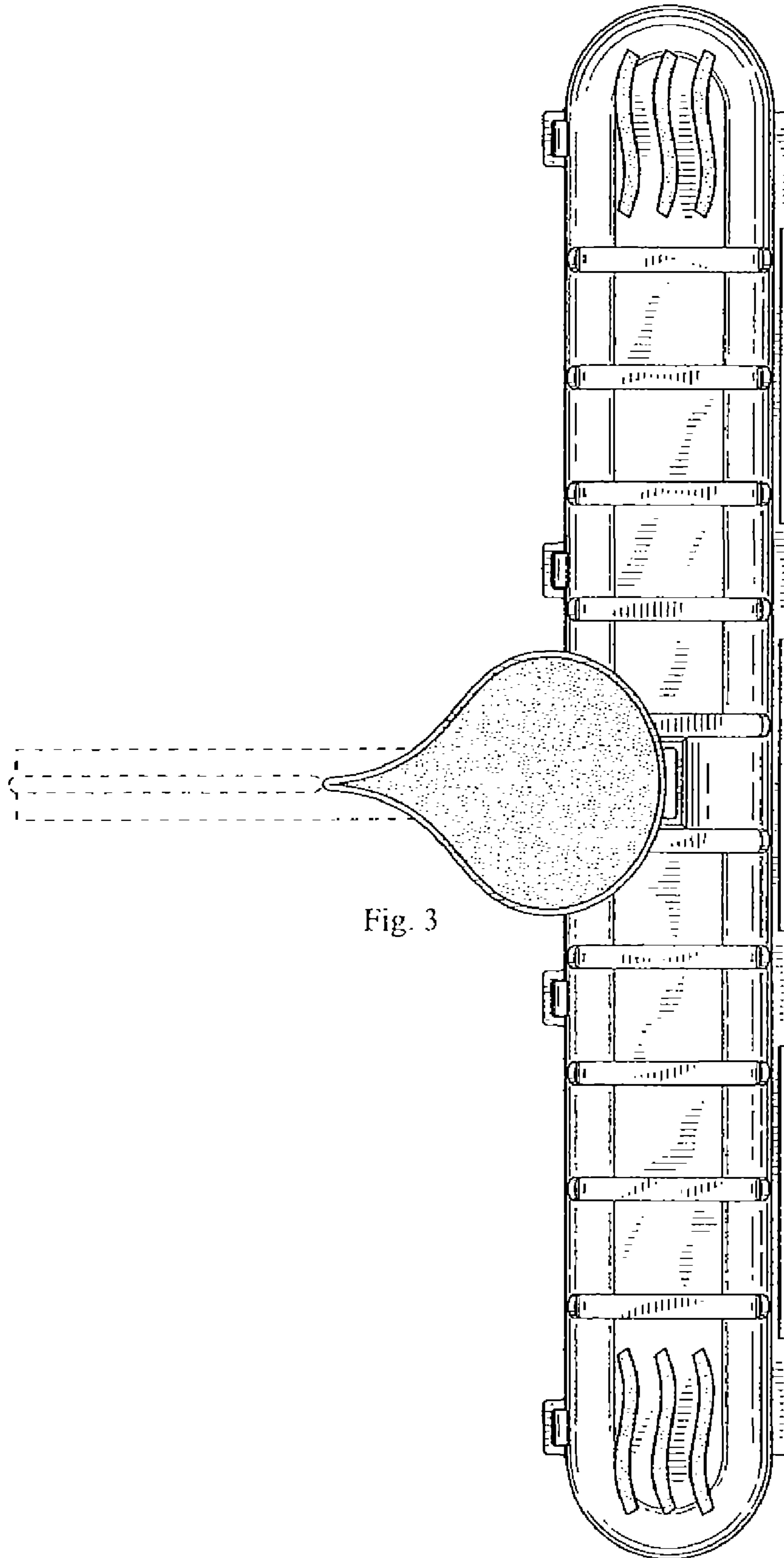


Fig. 3

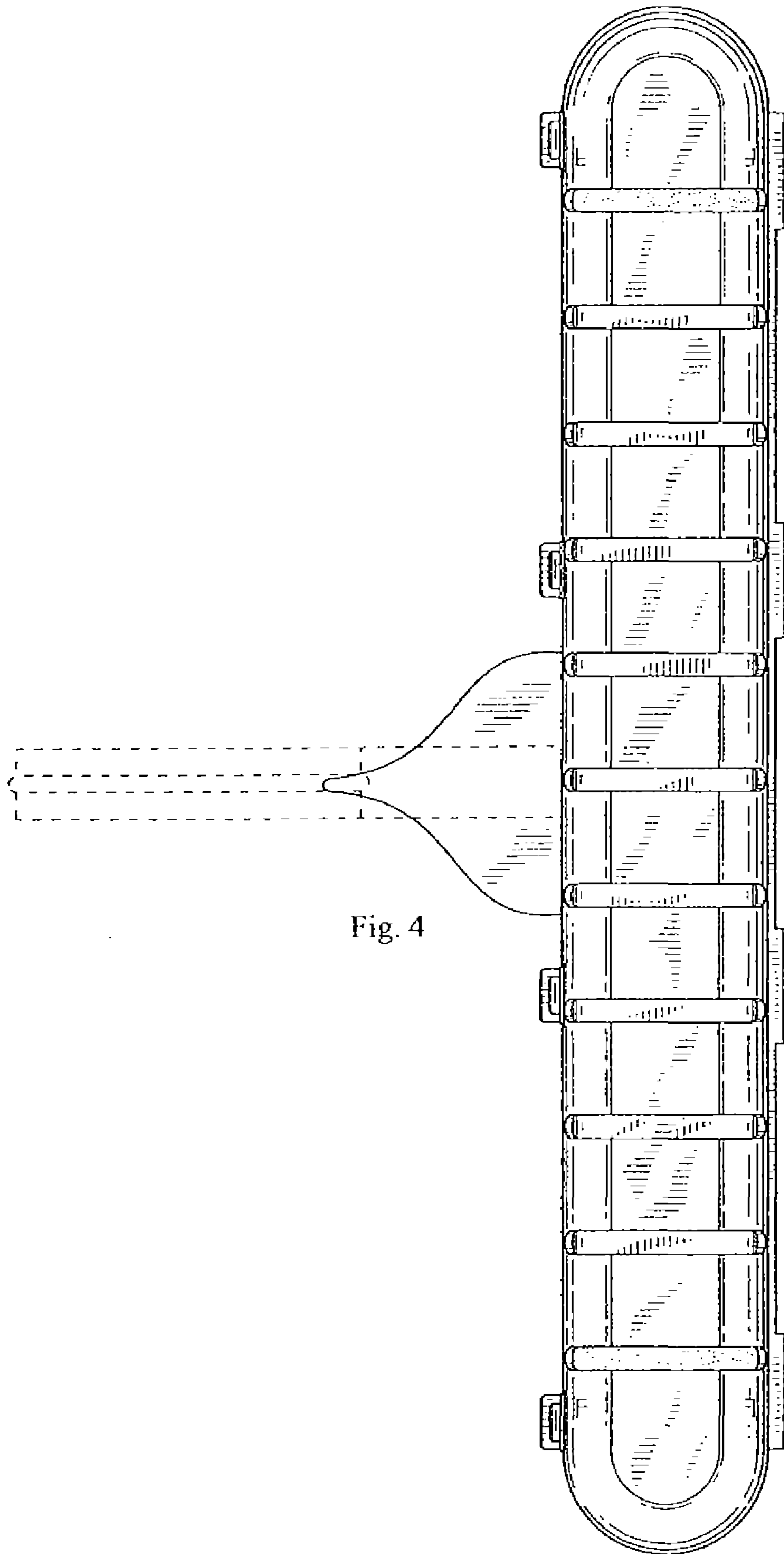


Fig. 4

Fig. 5

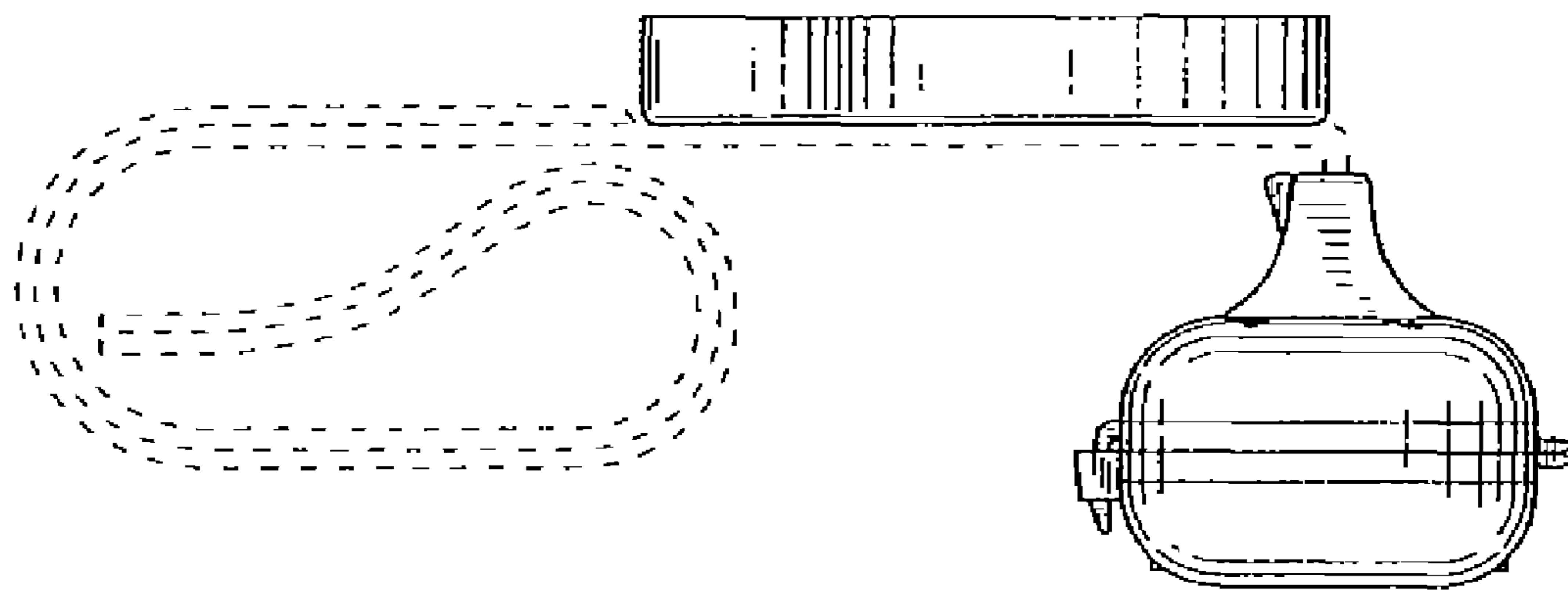


Fig. 6

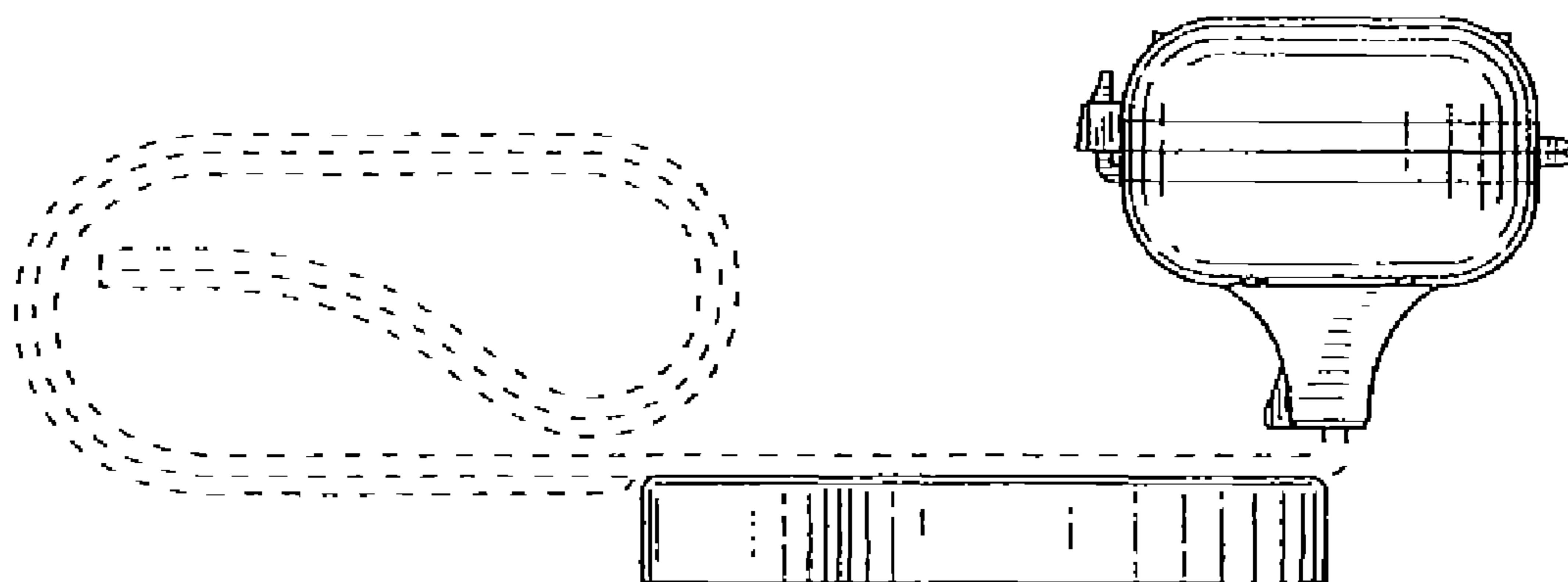


Fig. 7

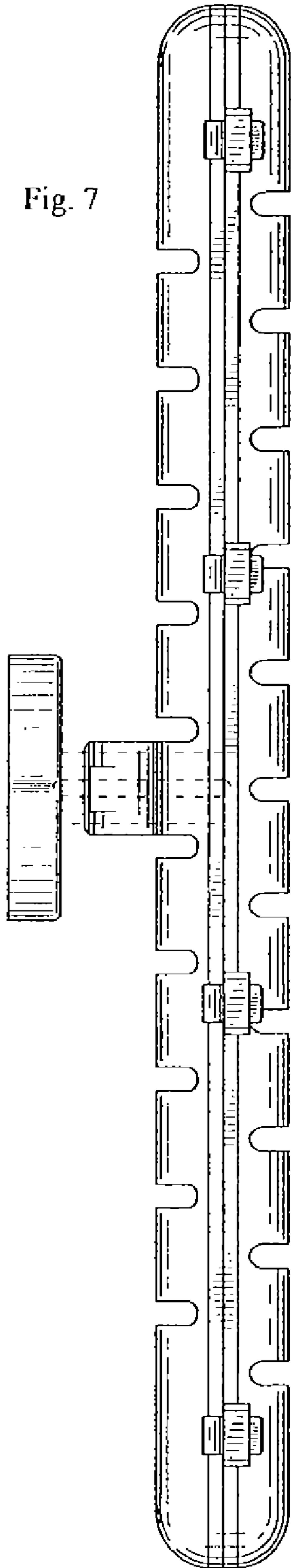


Fig. 8

