



US00D555753S

(12) **United States Design Patent** (10) **Patent No.:** **US D555,753 S**
Duston et al. (45) **Date of Patent:** **** Nov. 20, 2007**

(54) **SHIELD FOR INSECT TRAP** 7,093,389 B1 8/2006 Meier et al. 43/107

(75) Inventors: **Tyler D. Duston**, Evanston, IL (US);
Steven B. Mineau, Racine, WI (US)

(73) Assignee: **S.C. Johnson & Son, Inc.**, Racine, WI (US)

(**) Term: **14 Years**

(21) Appl. No.: **29/277,059**

(22) Filed: **Feb. 12, 2007**

Related U.S. Application Data

(63) Continuation-in-part of application No. 29/255,817, filed on Mar. 13, 2006, now Pat. No. Des. 538,880.

(51) **LOC (8) Cl.** **22-06**

(52) **U.S. Cl.** **D22/123**

(58) **Field of Classification Search** D22/119-125;
43/107, 112-113, 124, 131; D26/37
See application file for complete search history.

(56) **References Cited**

U.S. PATENT DOCUMENTS

D458,702 S	6/2002	Ellis	D26/68
D475,797 S	6/2003	Cheong	D26/37
D484,631 S	12/2003	Chen	D26/67
D495,817 S	9/2004	Bucher et al.	D26/67
D500,161 S	12/2004	Bucher et al.	D26/271
7,082,712 B2	8/2006	Harris et al.	43/122

OTHER PUBLICATIONS

OFFI PowerPad (TM) Lamp & Lantern, Insect Repellents (undated).

Primary Examiner—Catherine R. Oliver

(57) **CLAIM**

The ornamental design for a shield for insect trap, as shown and described.

DESCRIPTION

In a preferred embodiment, the nature of this product is as a shielding cover for a trap, the trap being of a type useful for attracting and/or trapping insects, such as wasps and other flying insects.

FIG. 1 is a right, top, frontal perspective view of a shield for insect trap embodying our new design;

FIG. 2 is a front elevational view thereof, the rear elevational view thereof being a mirror image of the front elevational view shown;

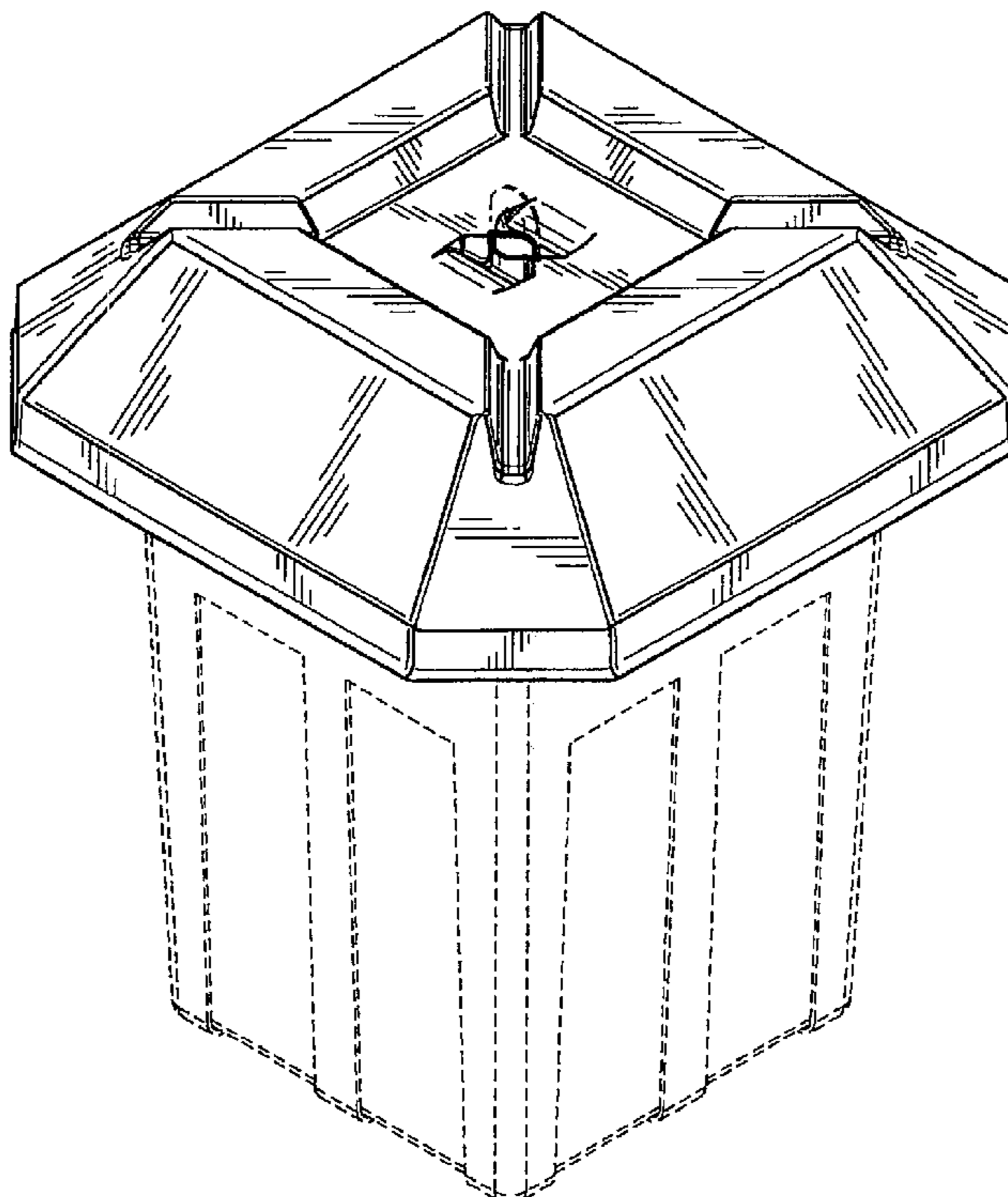
FIG. 3 is a right side elevational view thereof, the left side elevational view thereof being a mirror image of the right side elevational view shown;

FIG. 4 is a top plan view thereof; and,

FIG. 5 is a bottom plan view thereof.

The broken line representations of an insect trap base and support pedestal end in FIG. 1 are for purposes of illustration only and form no part of the claimed design.

1 Claim, 3 Drawing Sheets



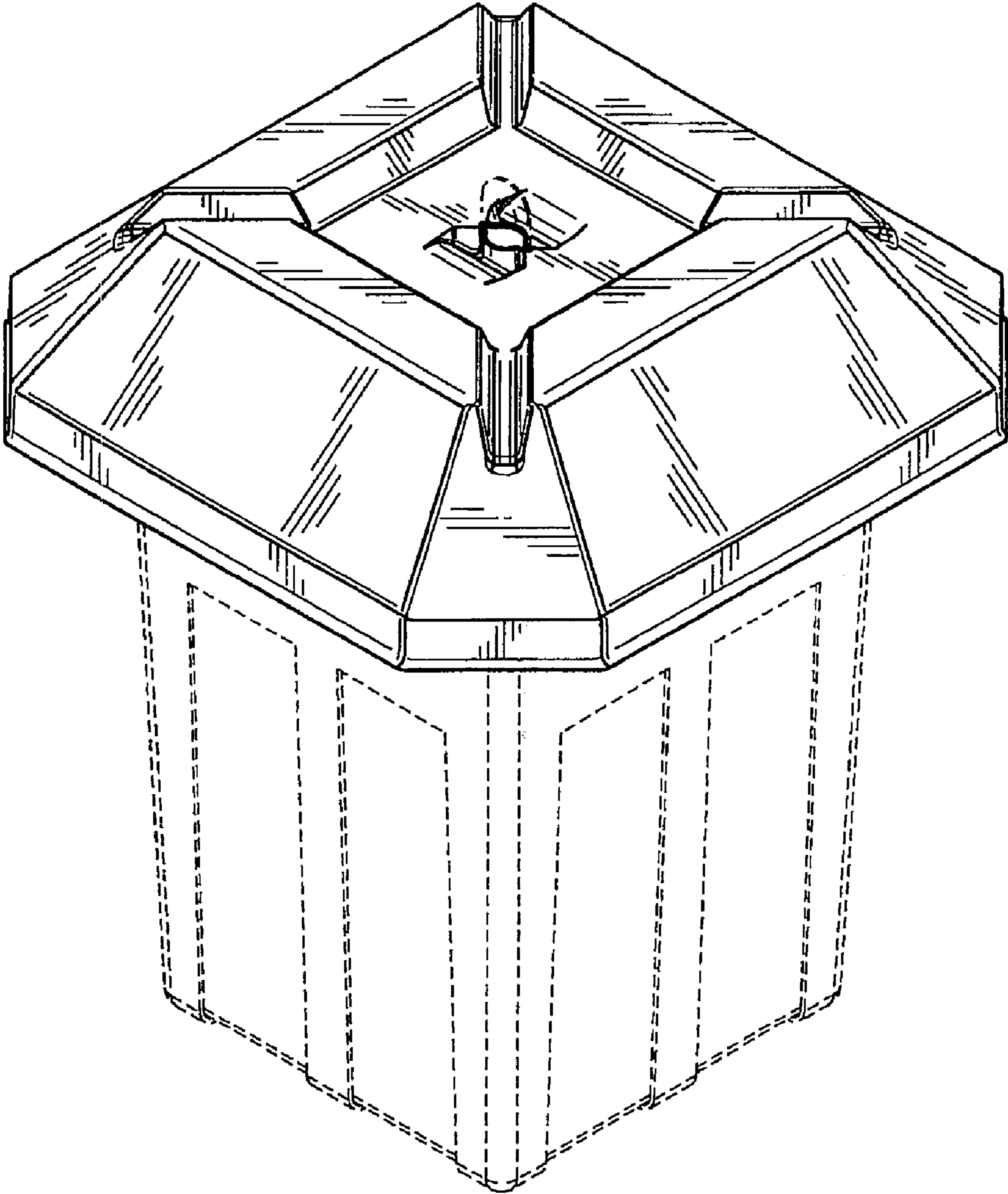


FIG. 1

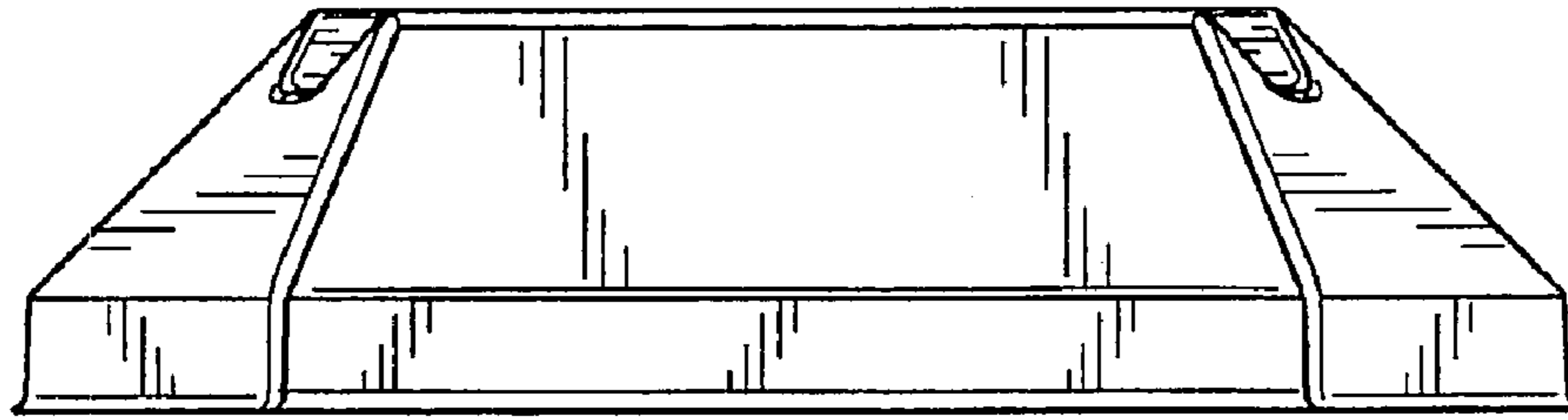


FIG. 2

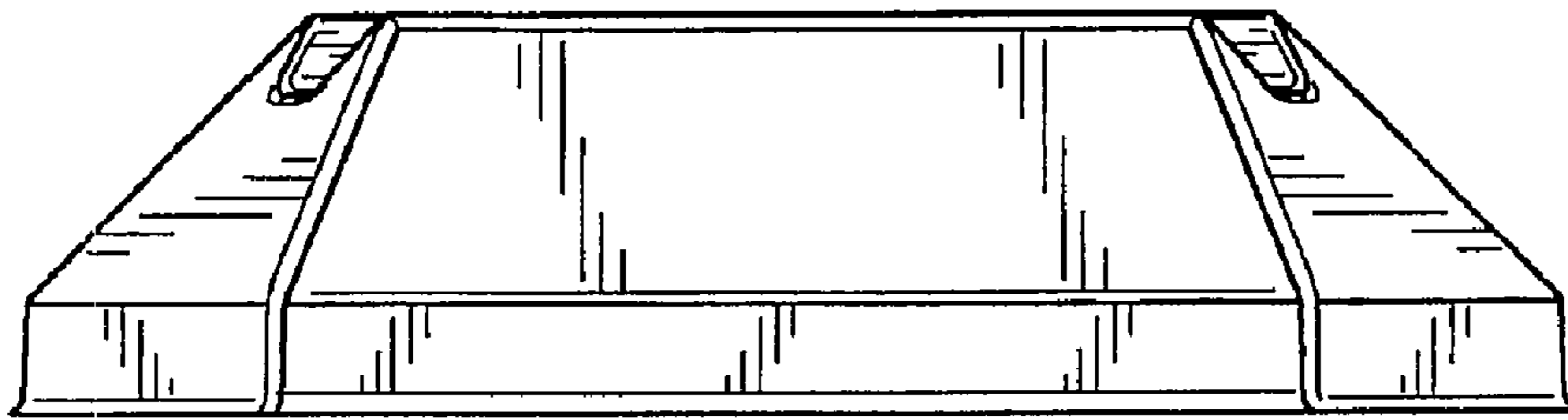


FIG. 3

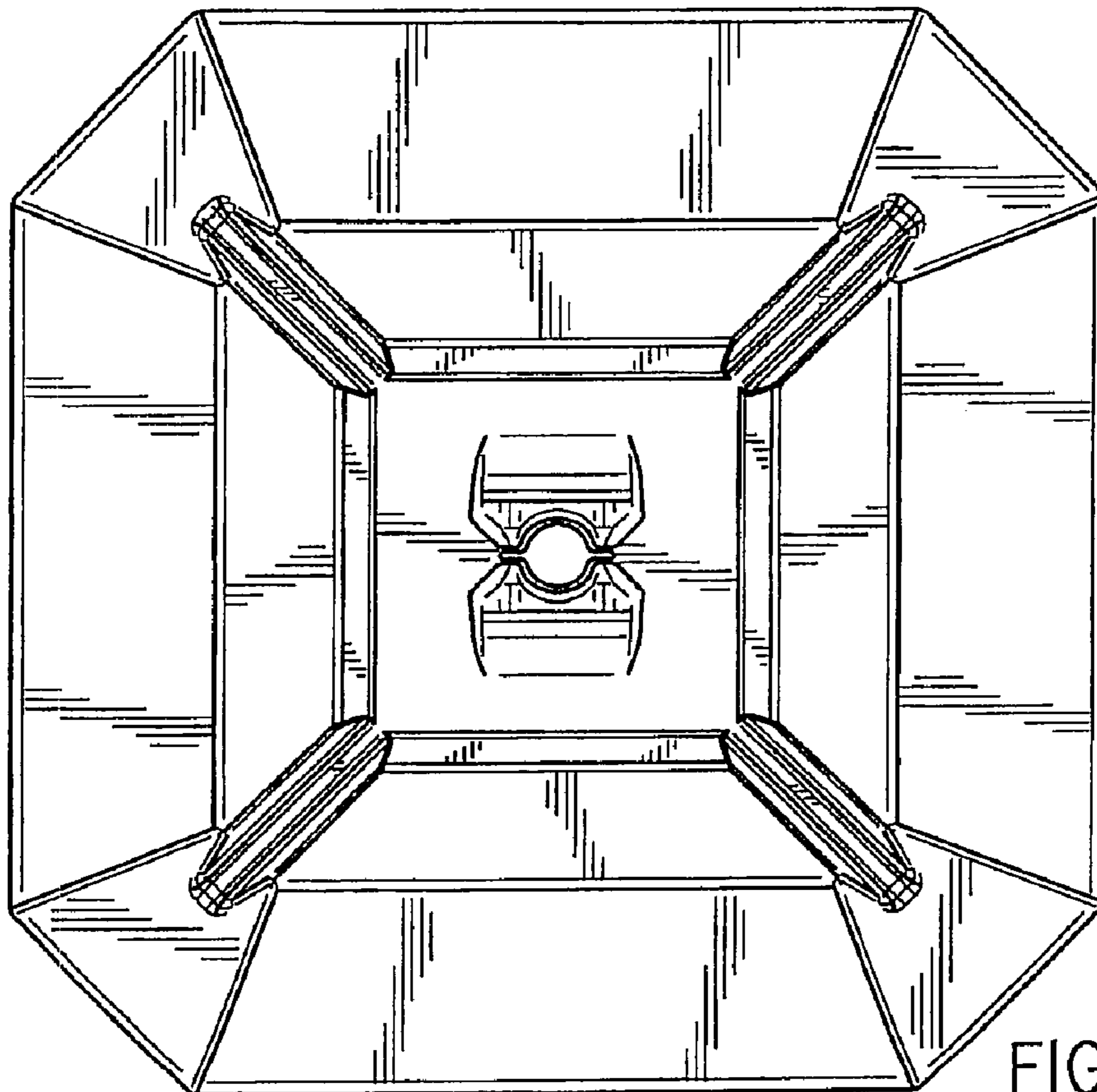


FIG. 4

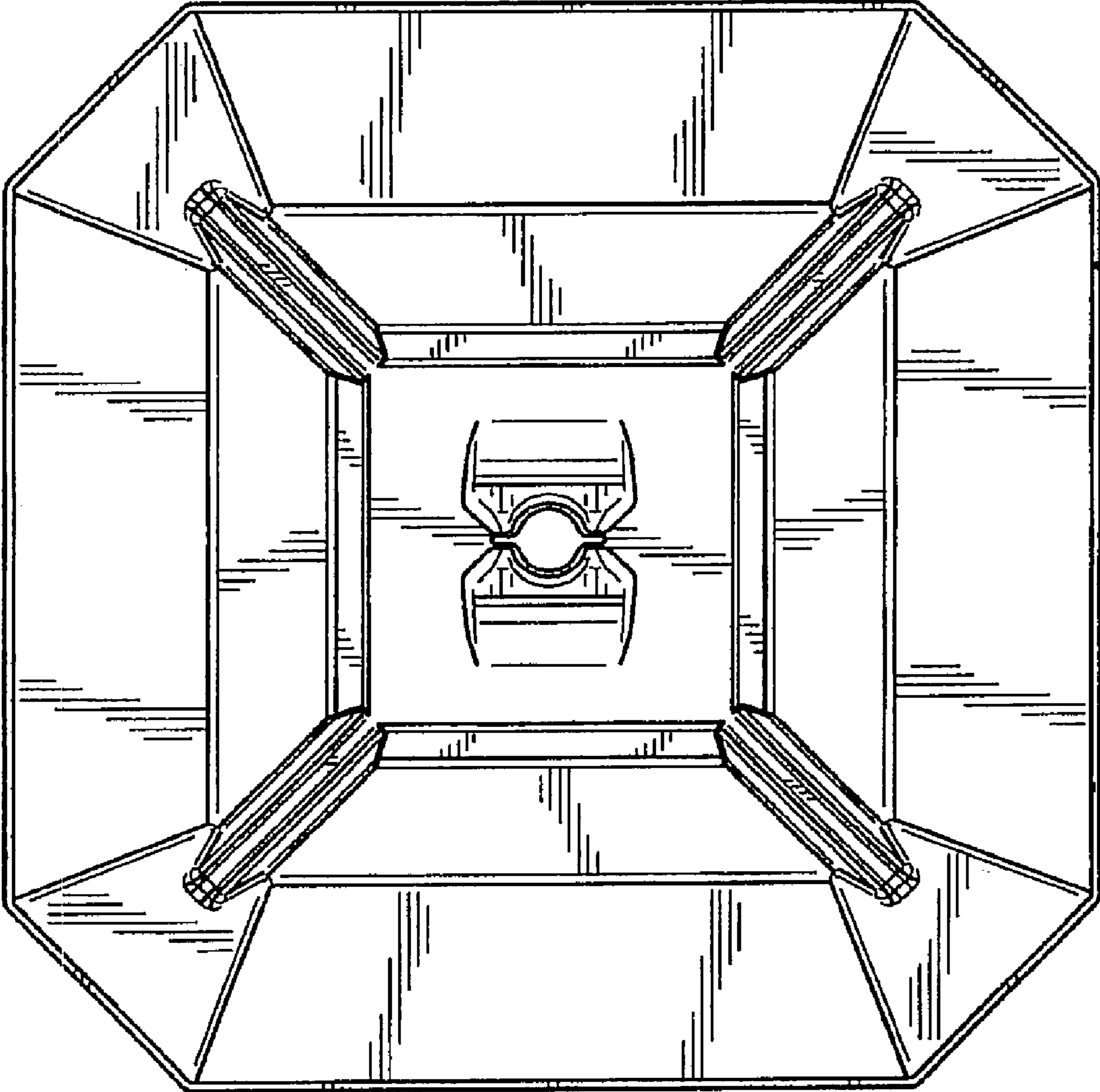


FIG. 5