



US00D555750S

(12) **United States Design Patent**
Cheng

(10) **Patent No.:** **US D555,750 S**

(45) **Date of Patent:** **** Nov. 20, 2007**

(54) **WEAVER RAIL**

(76) **Inventor:** **Carson Cheng**, 10302 Olney St., El Monte, CA (US) 91731

(**) **Term:** **14 Years**

(21) **Appl. No.:** **29/269,164**

(22) **Filed:** **Nov. 24, 2006**

(51) **LOC (8) Cl.** **22-01**

(52) **U.S. Cl.** **D22/109**

(58) **Field of Classification Search** D22/100,
D22/108, 109, 110; 42/11, 113, 116, 119,
42/124, 125, 90, 127, 145, 15, 126, 128,
42/72, 106, 114, 142, 85, 75.02, 71.01; 248/205.1,
248/201; 89/37.01, 37.04

See application file for complete search history.

(56) **References Cited**

U.S. PATENT DOCUMENTS

6,606,813	B1 *	8/2003	Squire et al.	42/90
6,618,976	B1 *	9/2003	Swan	42/114
6,779,288	B1 *	8/2004	Kim	42/72
6,826,864	B1 *	12/2004	Houtsma	42/90
6,895,708	B2 *	5/2005	Kim et al.	42/72
D510,120	S *	9/2005	Ding	D22/110
D511,365	S *	11/2005	Ding	D22/110
D513,056	S *	12/2005	Ding	D22/110

D513,298	S *	12/2005	Ding	D22/110
D513,299	S *	12/2005	Ding	D22/110
D513,633	S *	1/2006	Ding	D22/110
D516,157	S *	2/2006	Ding	D22/110
D533,618	S *	12/2006	Swan	D22/110

* cited by examiner

Primary Examiner—Ian Simmons

Assistant Examiner—Melanie Levy

(74) *Attorney, Agent, or Firm*—Raymond Y. Chan; David and Raymond Patent Group

(57) **CLAIM**

The ornamental design for a weaver rail, as shown.

DESCRIPTION

FIG. 1 is a perspective view of weaver rail showing my new design.

FIG. 2 is a front view thereof.

FIG. 3 is a rear view thereof.

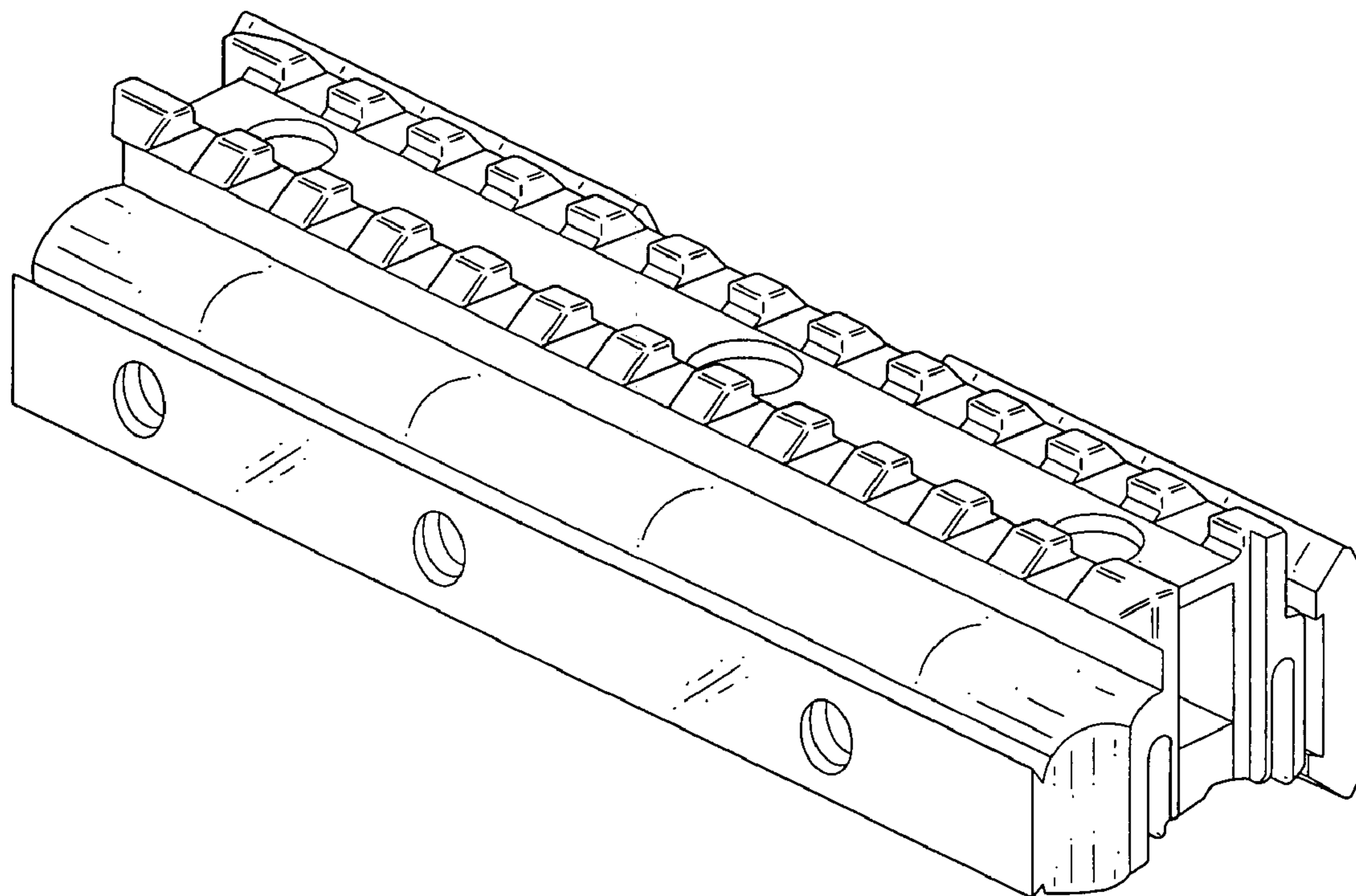
FIG. 4 is a right end view thereof.

FIG. 5 is a left end view thereof.

FIG. 6 is a top view thereof; and,

FIG. 7 is a bottom view thereof.

1 Claim, 7 Drawing Sheets



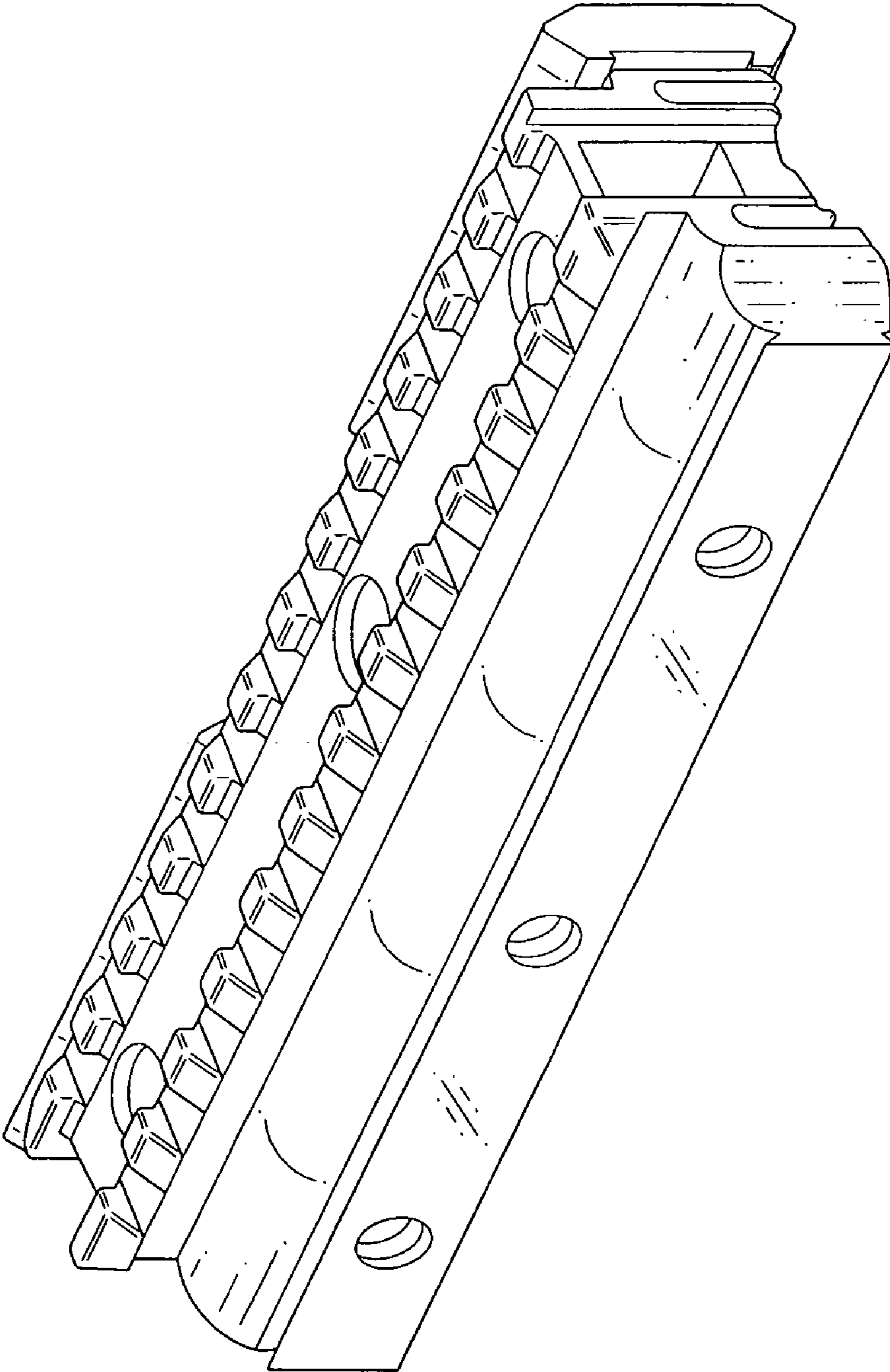


FIG.1

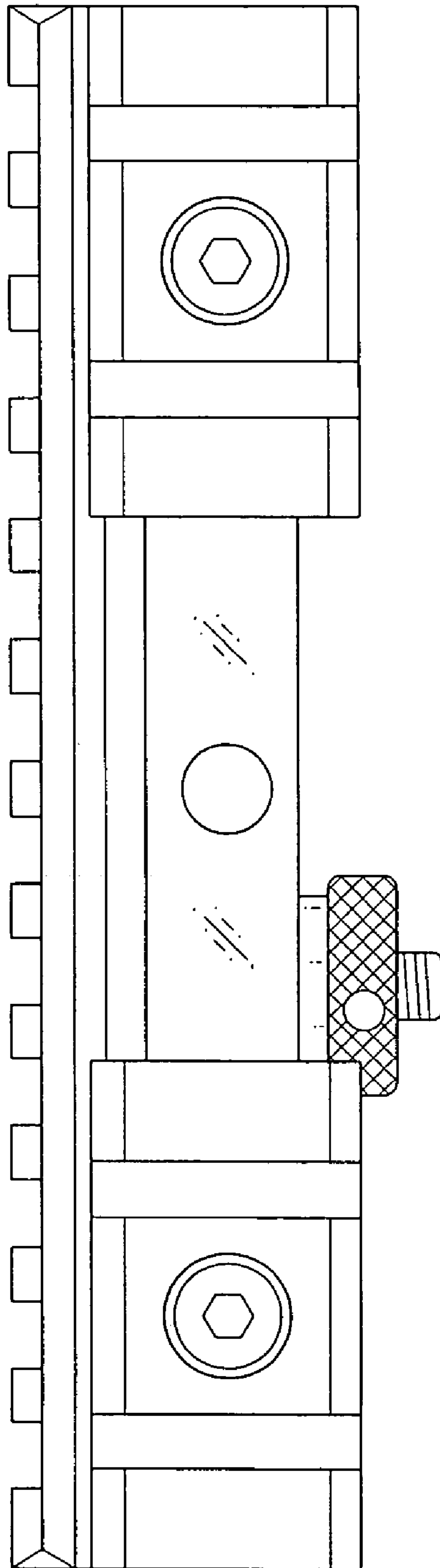


FIG. 2

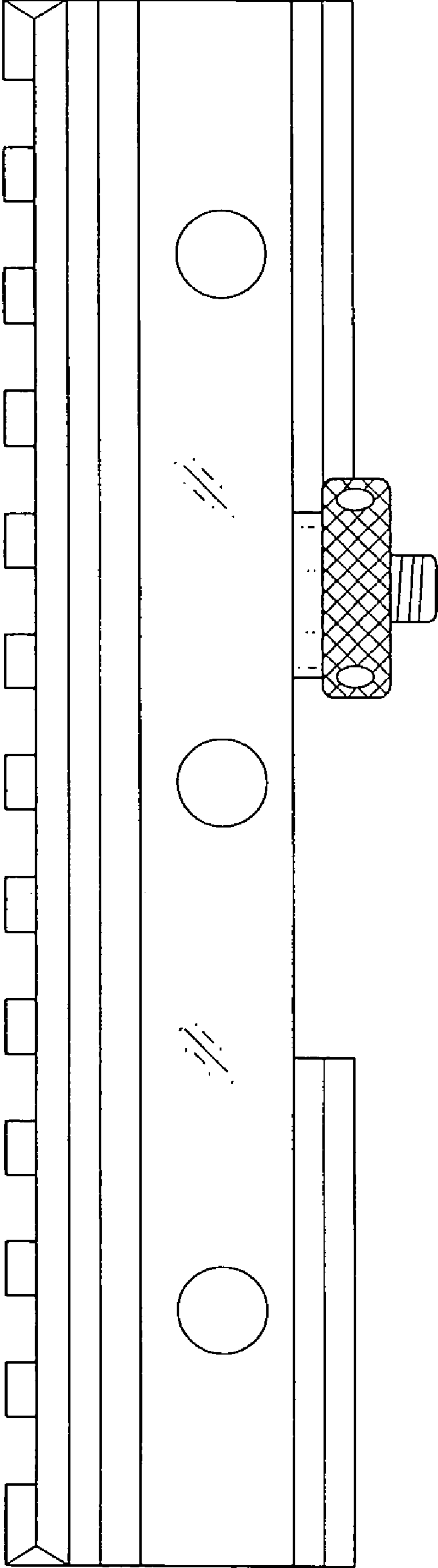


FIG.3

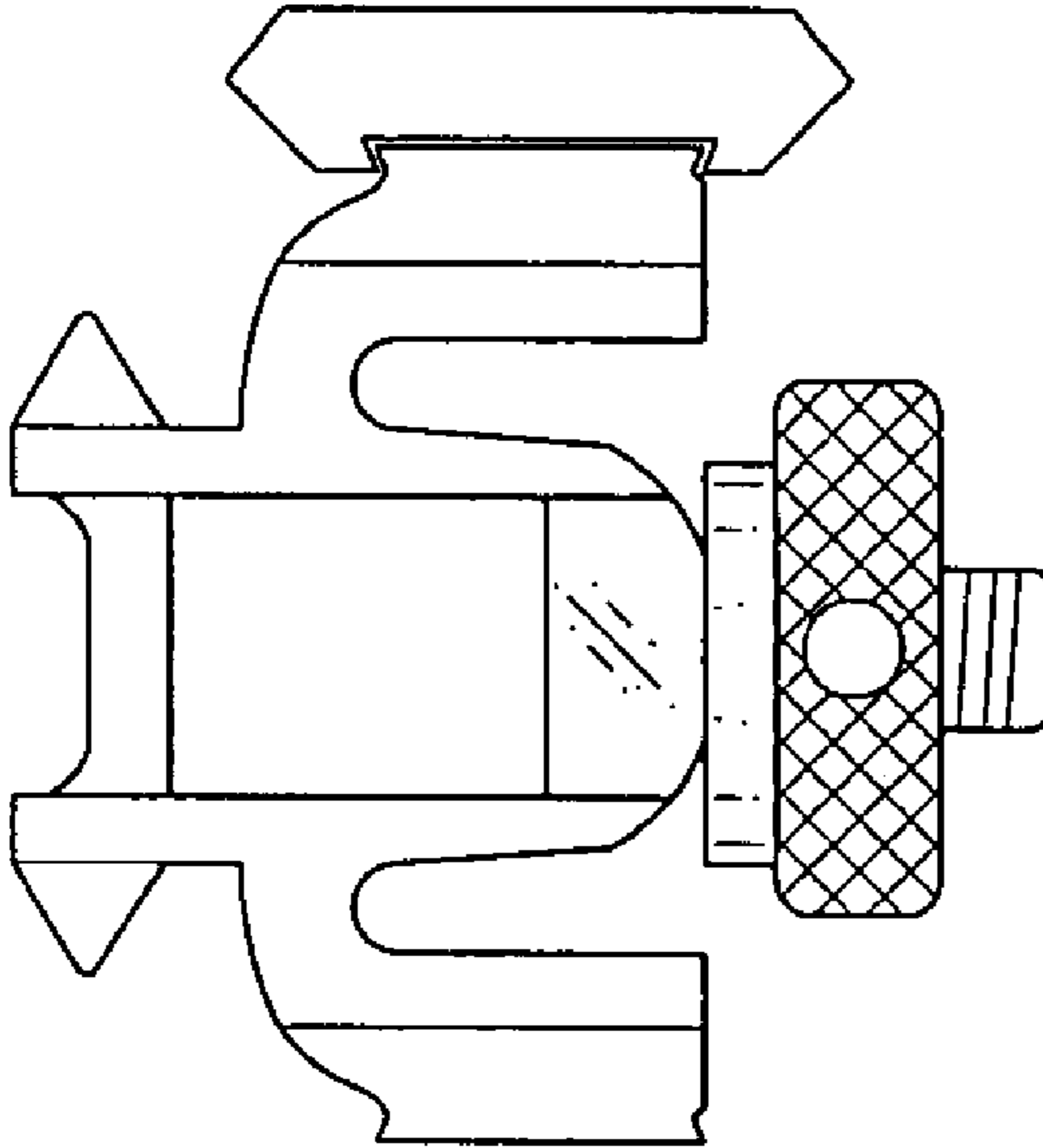


FIG. 4

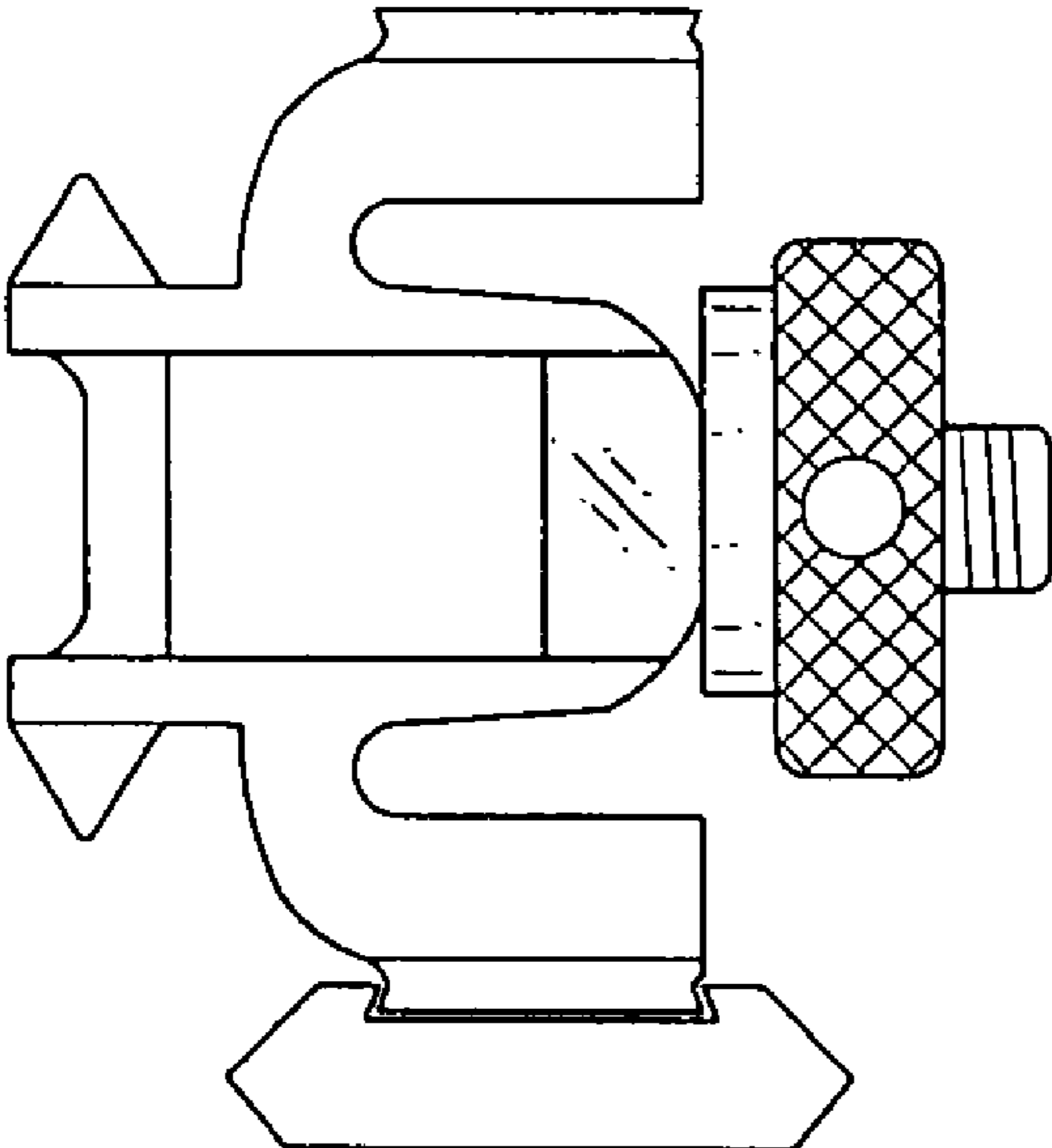


FIG. 5

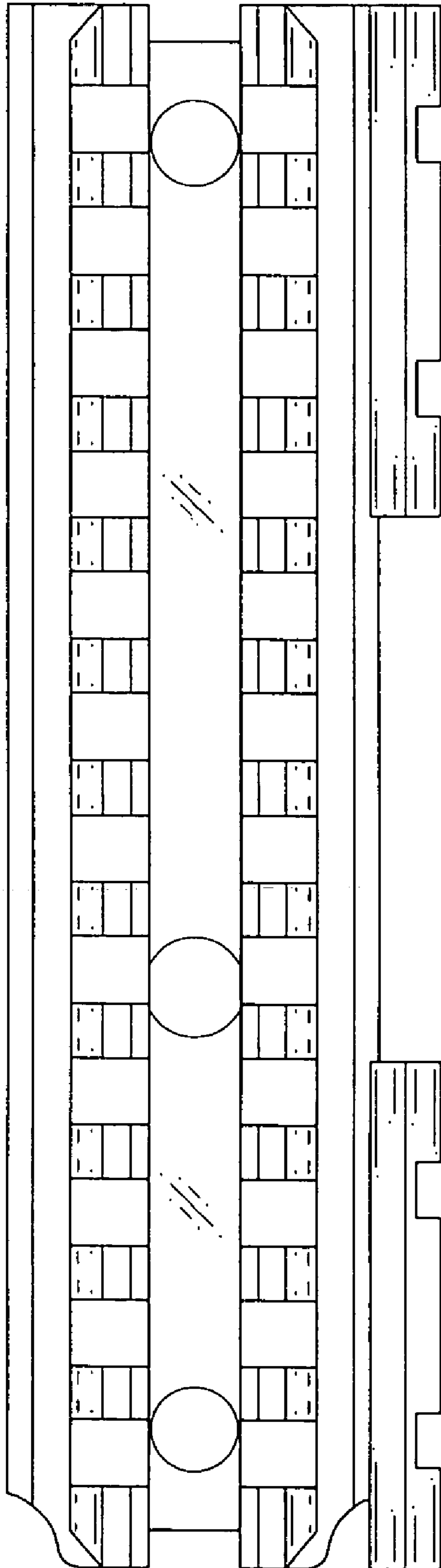


FIG. 6

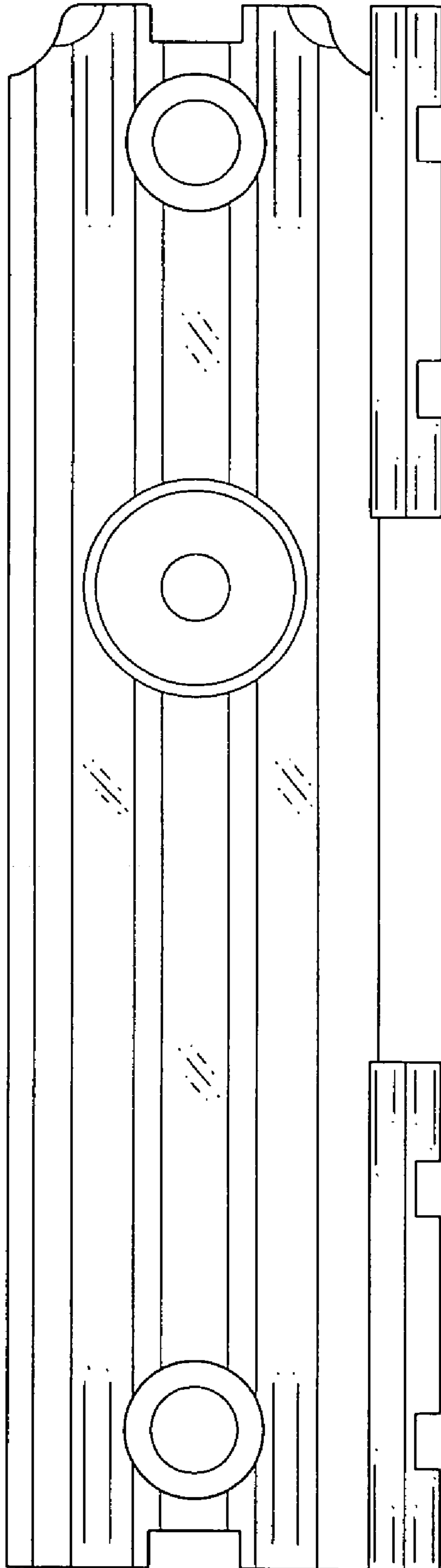


FIG. 7