



US00D555742S

(12) **United States Design Patent**
Lai

(10) **Patent No.:** **US D555,742 S**

(45) **Date of Patent:** **** Nov. 20, 2007**

(54) **FLYWHEEL**

D532,063 S * 11/2006 Kim et al. D21/697

(76) Inventor: **Wan-Kuan Lai**, No. 568, Tucheng Rd.,
Waipu Township, Taichung County 438
(TW)

* cited by examiner

Primary Examiner—Philip S. Hyder
(74) *Attorney, Agent, or Firm*—C. G. Mersereau Nikolai &
Mersereau, P.A.

(**) Term: **14 Years**

(21) Appl. No.: **29/254,786**

(57) **CLAIM**

(22) Filed: **Feb. 27, 2006**

The ornamental design for a flywheel, as shown and
described.

(51) **LOC (8) Cl.** **21-02**

(52) **U.S. Cl.** **D21/694**

(58) **Field of Classification Search** D21/662,
D21/694, 663, 664, 665, 666, 667, 668, 669,
D21/670, 779; 482/51, 52, 54, 64, 148
See application file for complete search history.

DESCRIPTION

FIG. 1 is a perspective view of a flywheel, showing my new
design;

FIG. 2 is a front elevational view thereof, the rear elevational
view thereof being the same;

FIG. 3 is a left side elevational view thereof, the right side
elevational view thereof being the same;

FIG. 4 is a top view thereof, the bottom view thereof being
the same;

FIG. 5 is a sectional view taken along the line 5—5 of FIG.
2; and,

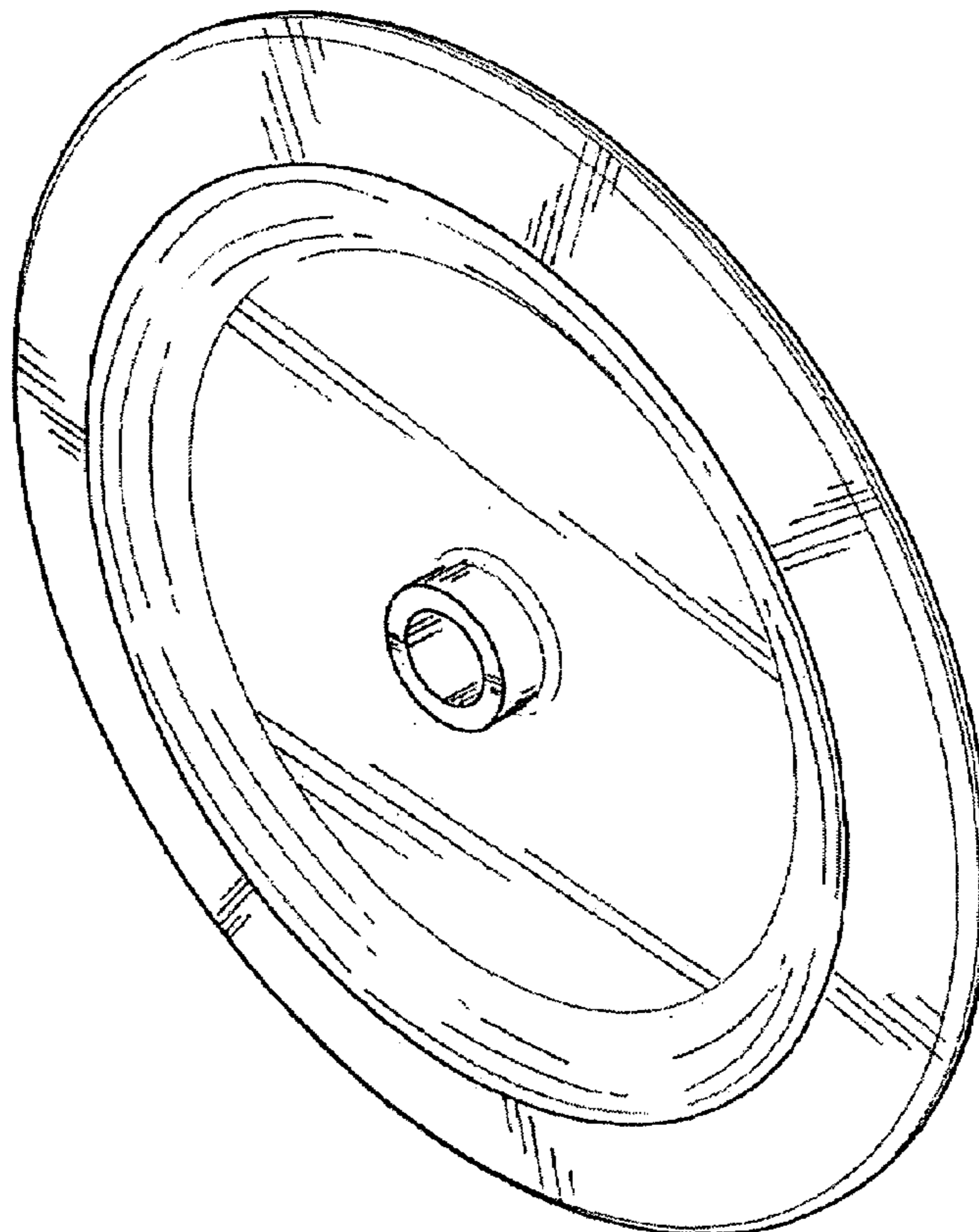
FIG. 6 is a perspective view of the flywheel, wherein the
broken line showing of the exerciser represents environmen-
tal structure and forms no part of the claimed design.

(56) **References Cited**

U.S. PATENT DOCUMENTS

4,291,872	A *	9/1981	Brilando et al.	482/57
4,418,962	A *	12/1983	Schaffer	301/37.42
D275,589	S *	9/1984	Gustafsson	D21/667
D291,462	S *	8/1987	Aalto	D21/667
D372,284	S *	7/1996	Wang et al.	D21/667
D380,796	S *	7/1997	Wang et al.	D21/667
D382,925	S *	8/1997	Wu	D21/667
D460,794	S *	7/2002	Baker	D21/667

1 Claim, 6 Drawing Sheets



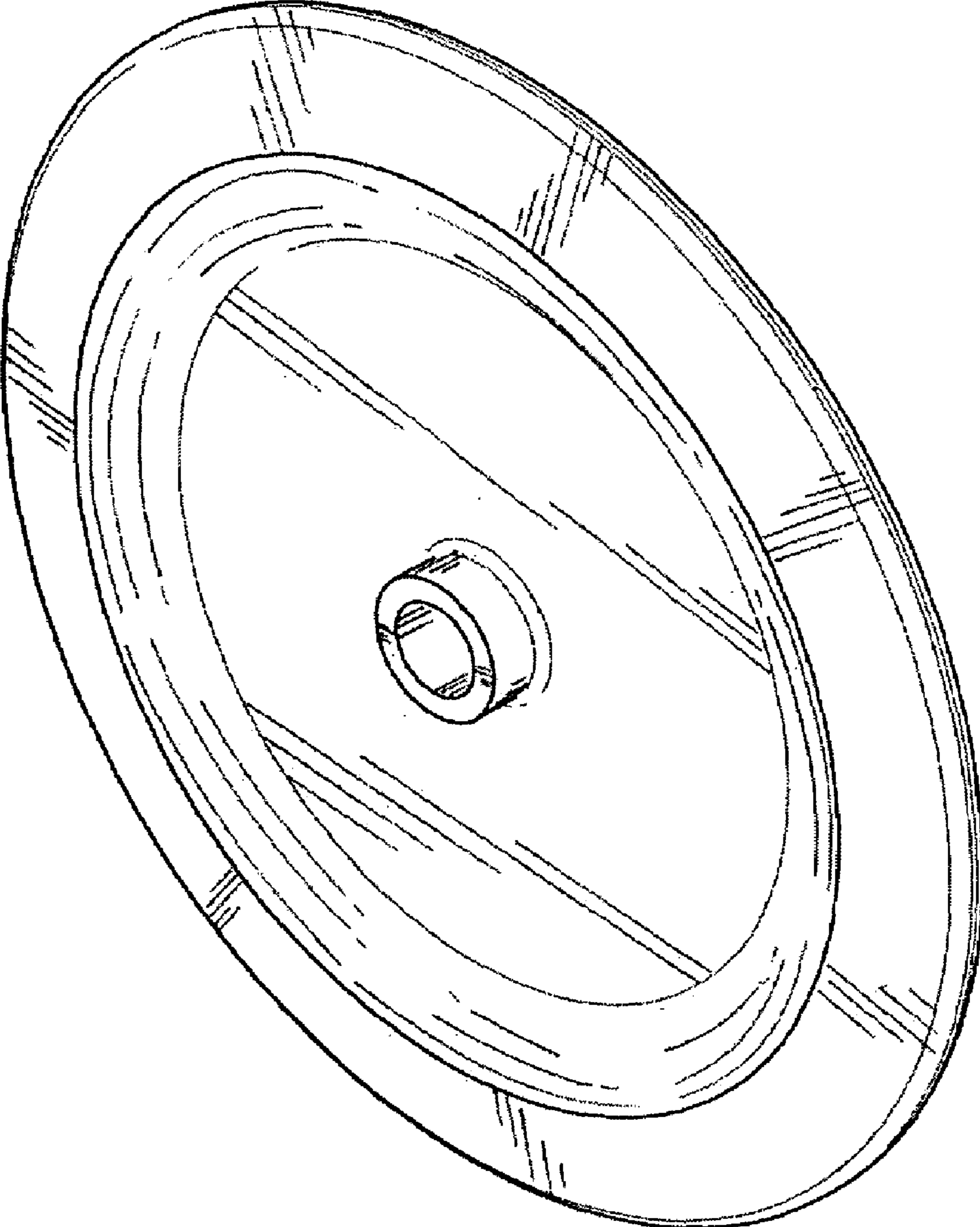


FIG. 1

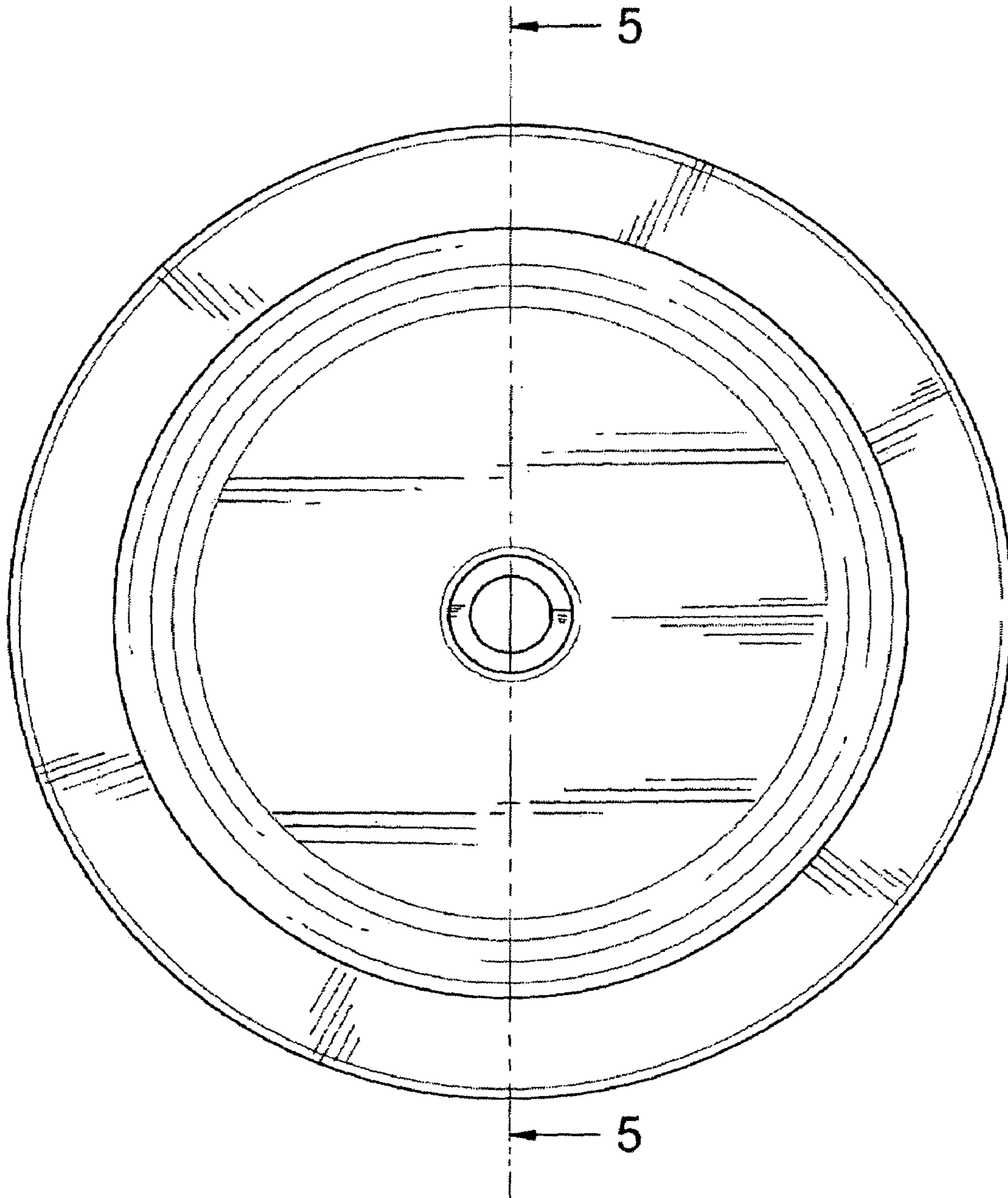


FIG.2

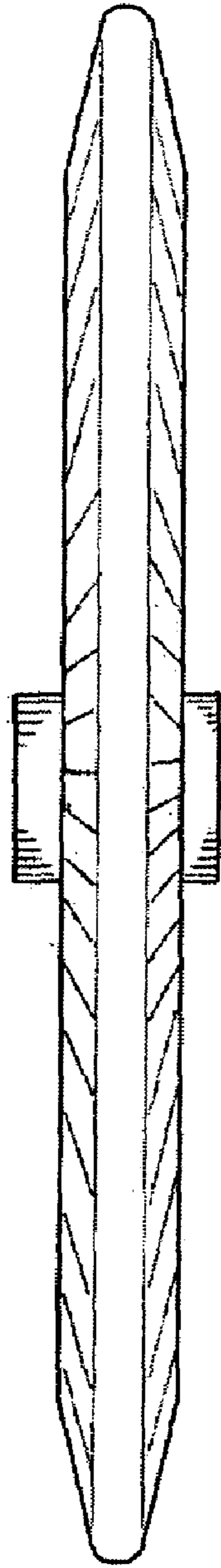


FIG.3

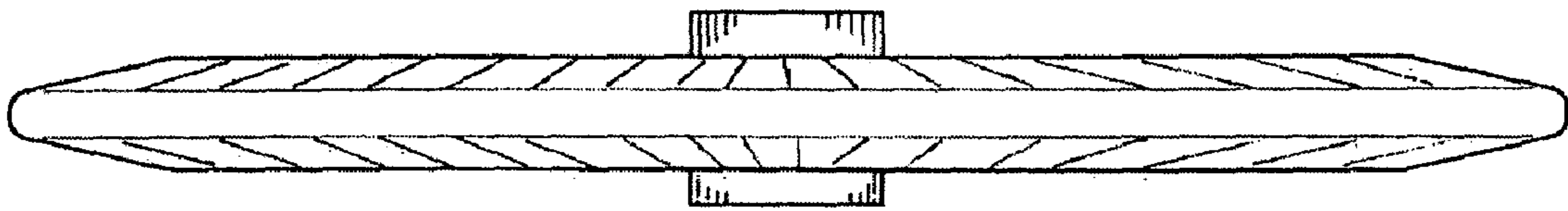


FIG.4

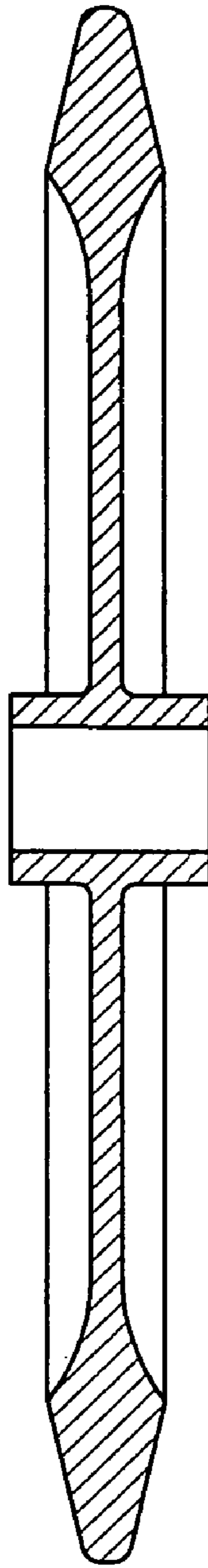


FIG.5

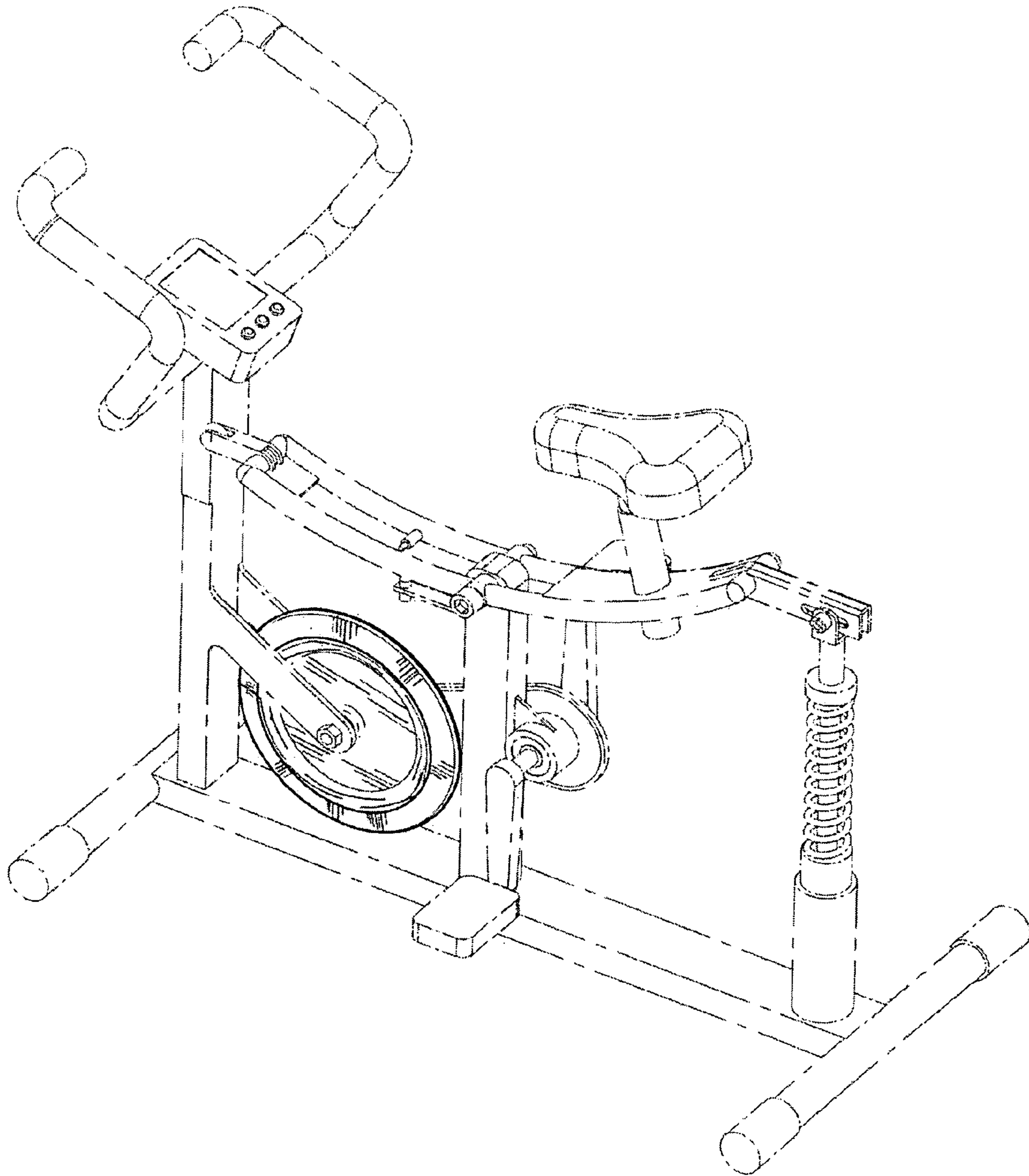


FIG. 6