



US00D555737S

(12) **United States Design Patent**
Brown

(10) **Patent No.:** **US D555,737 S**

(45) **Date of Patent:** **** Nov. 20, 2007**

(54) **MESSAGE CARD HOLDER**

(76) Inventor: **Jane K. Brown**, 8360 Xylon Cir.,
Bloomington, MN (US) 55438

(**) Term: **14 Years**

(21) Appl. No.: **29/267,166**

(22) Filed: **Oct. 10, 2006**

(51) **LOC (8) Cl.** **19-02**

(52) **U.S. Cl.** **D19/91**

(58) **Field of Classification Search** D6/476,
D6/510, 512; D19/75-92; 40/124; 206/215,
206/425, 555, 556, 557; 211/45, 50, 126.16
See application file for complete search history.

(56) **References Cited**

U.S. PATENT DOCUMENTS

2,469,530	A *	5/1949	Thompson	206/457
D220,014	S *	2/1971	Rome et al.	D19/92
D257,778	S *	1/1981	Macowski	D19/99
4,333,573	A *	6/1982	Holoubek	211/11
4,570,793	A *	2/1986	O'Neil et al.	206/371
4,838,422	A *	6/1989	Gregerson	206/308.1
4,941,576	A *	7/1990	Sugarman et al.	211/69.1

D343,865	S *	2/1994	Pohl	D19/78
D348,284	S *	6/1994	Thorud et al.	D19/92
D352,067	S *	11/1994	Mund et al.	D19/75
D506,225	S *	6/2005	Mills et al.	D19/83

* cited by examiner

Primary Examiner—Elizabeth A. Albert

(74) *Attorney, Agent, or Firm*—Richard J. Bartz

(57) **CLAIM**

The ornamental design for a message card holder, as shown and described.

DESCRIPTION

FIG. 1 is a perspective view of a message card holder of my design;

FIG. 2 is a front plan view thereof;

FIG. 3 is a back plan view thereof;

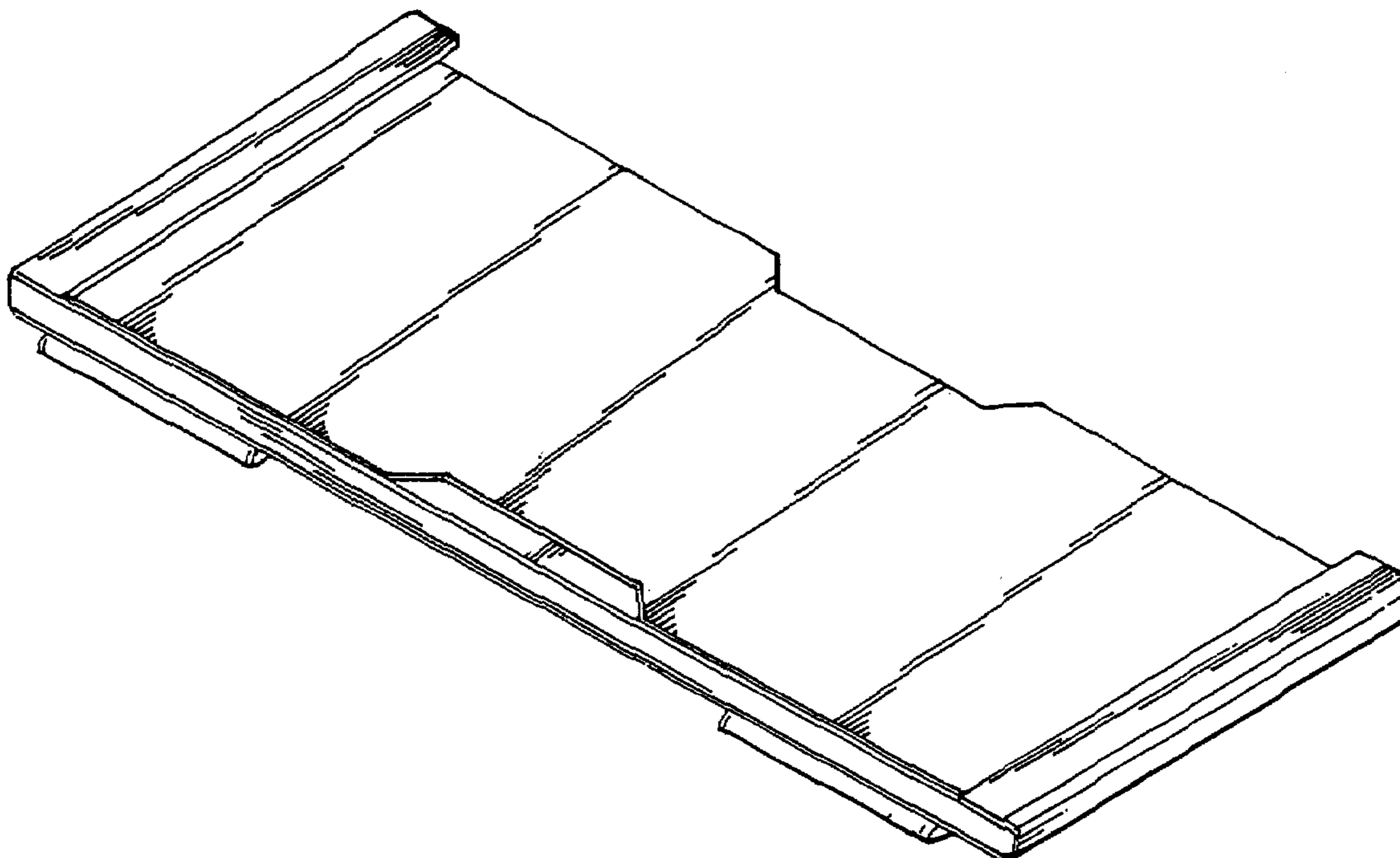
FIG. 4 is a bottom elevational view thereof;

FIG. 5 is a top elevational view thereof;

FIG. 6 is a side elevational view of the left side thereof; and,

FIG. 7 is a side elevational view of the right side thereof.

1 Claim, 2 Drawing Sheets



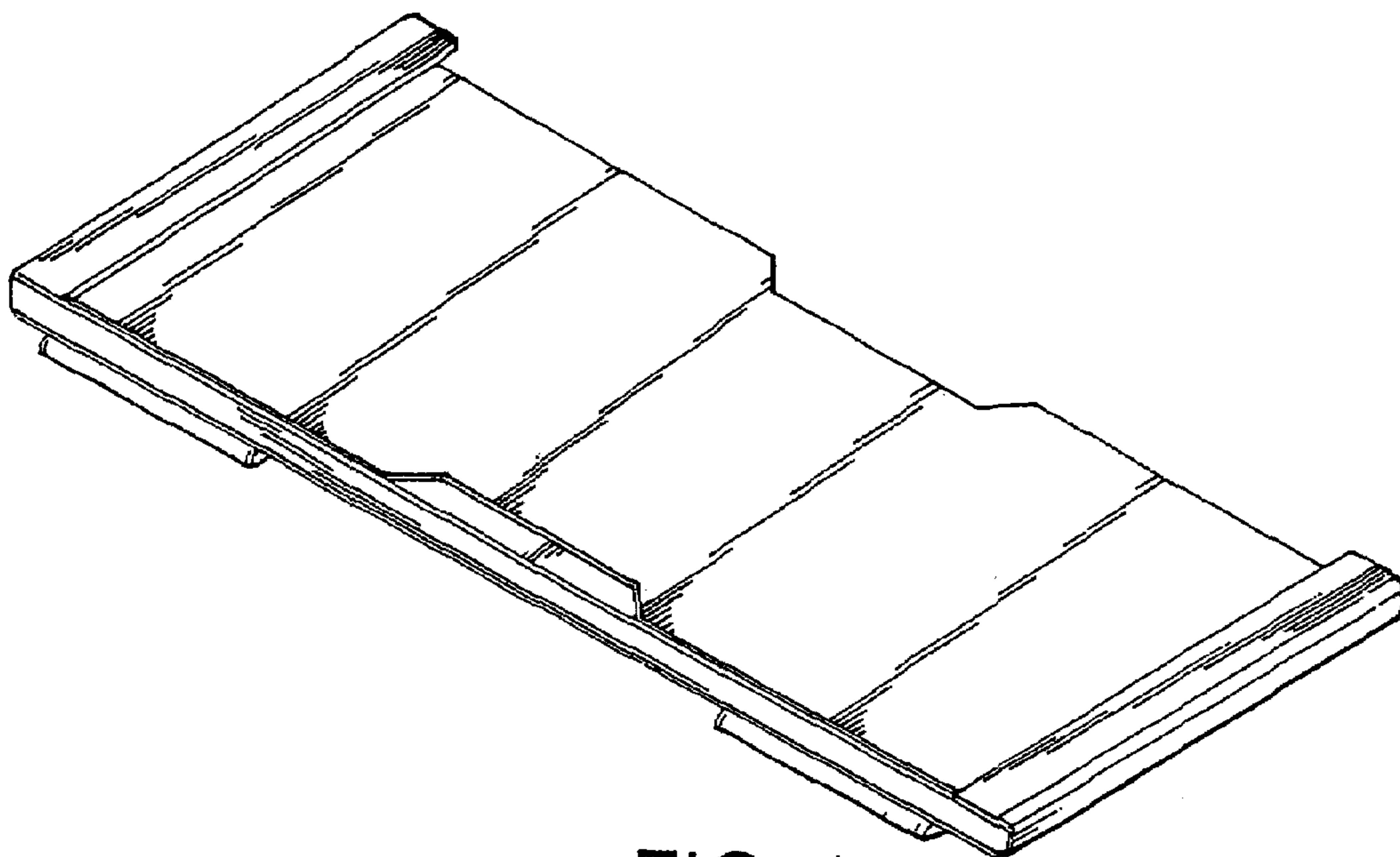


FIG. 1

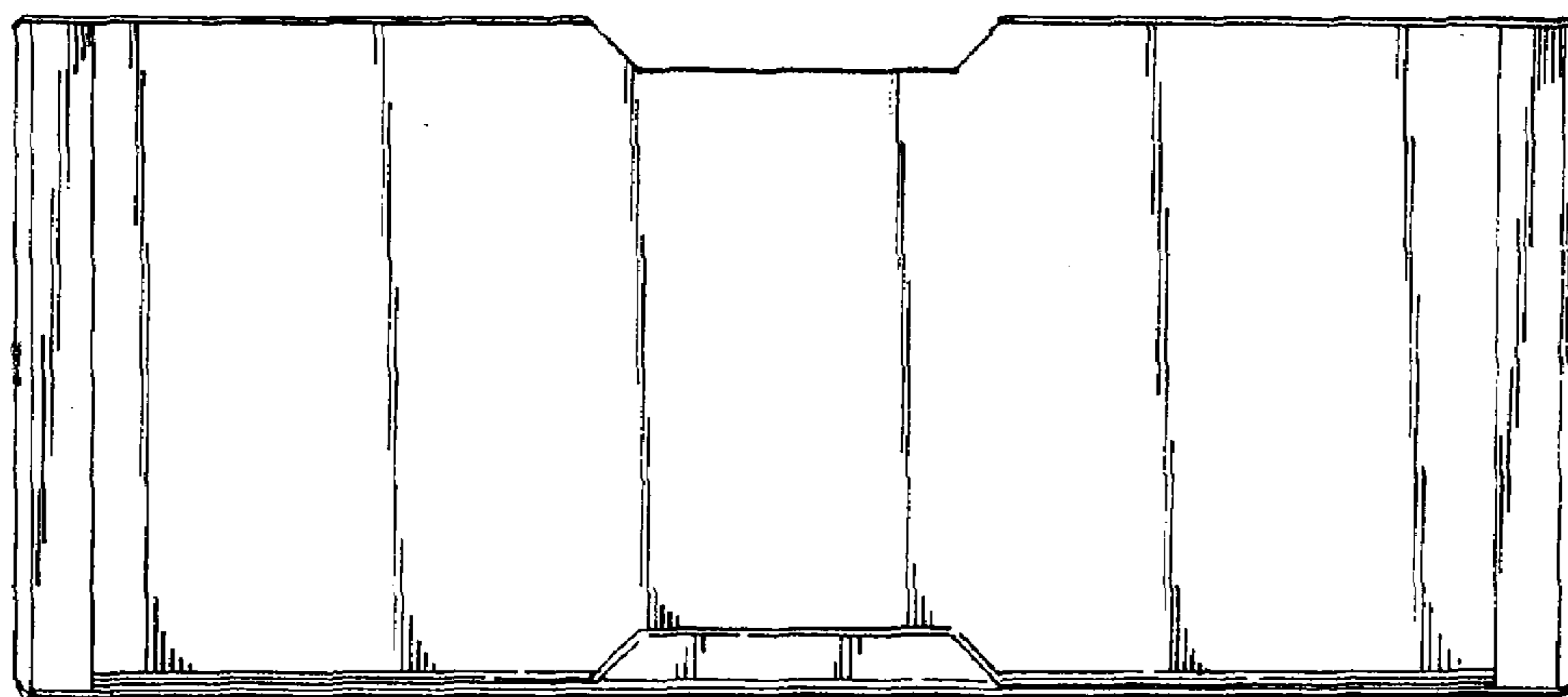


FIG. 2

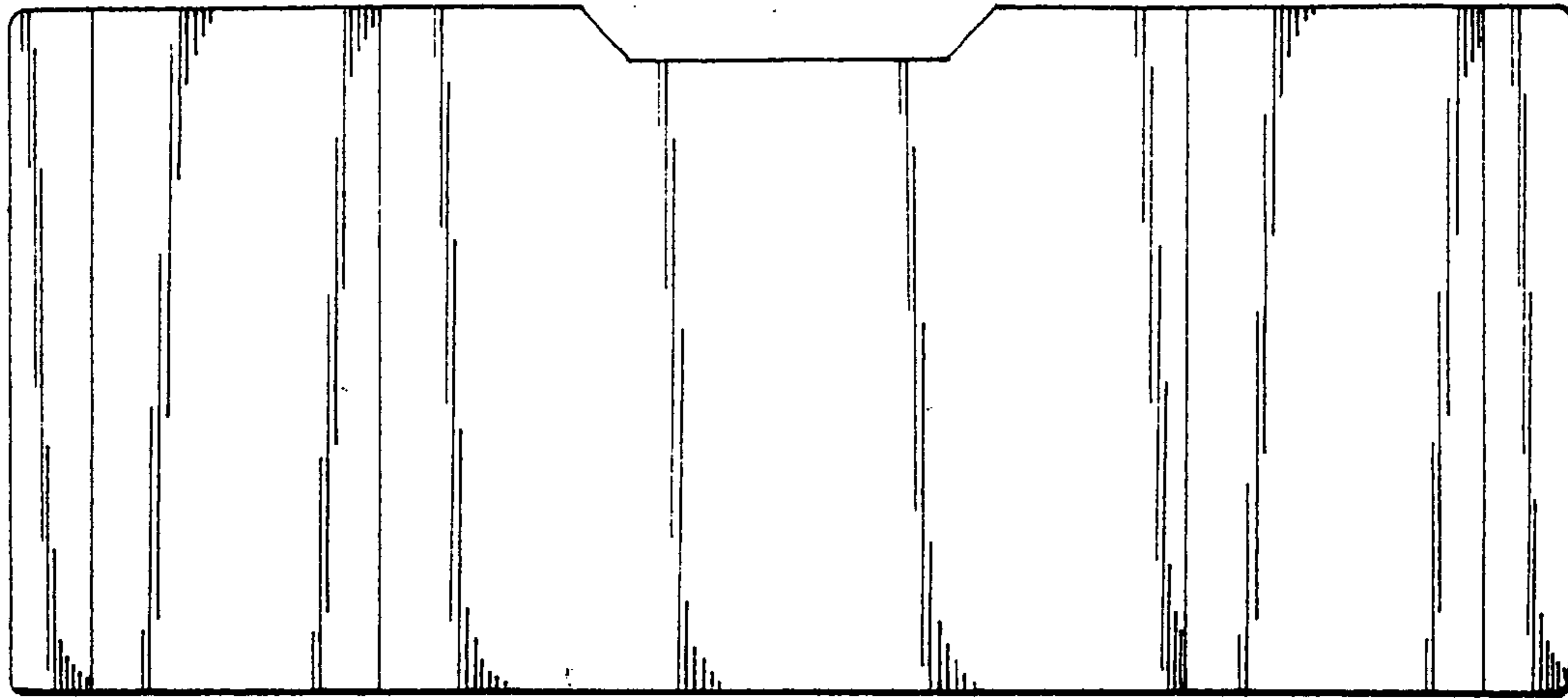


FIG. 3

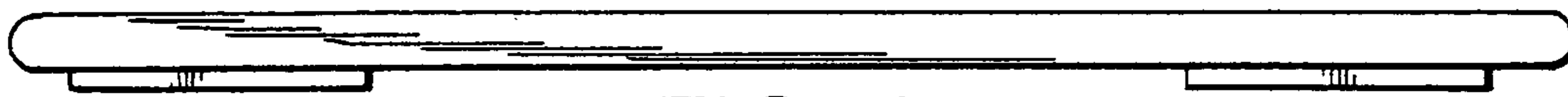


FIG. 4

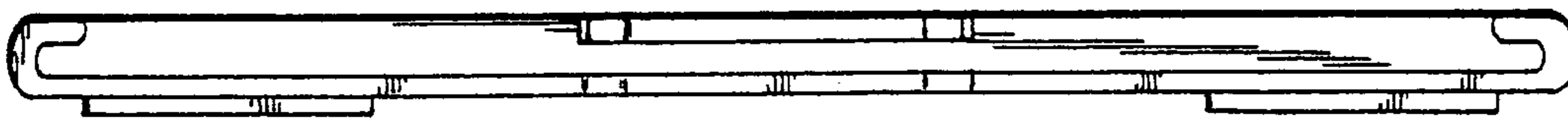


FIG. 5

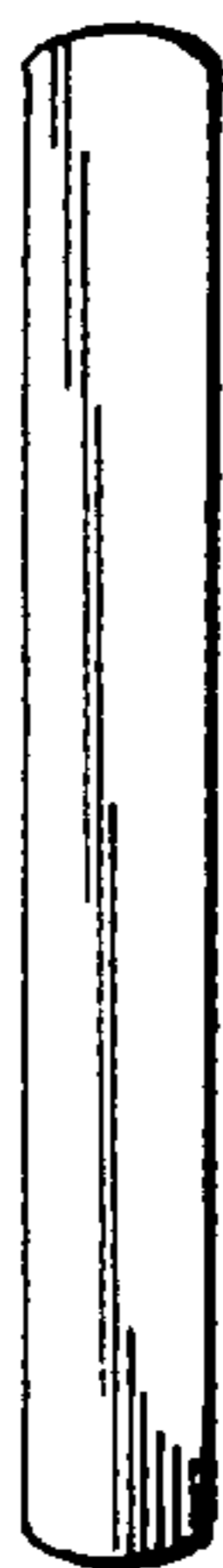


FIG. 6

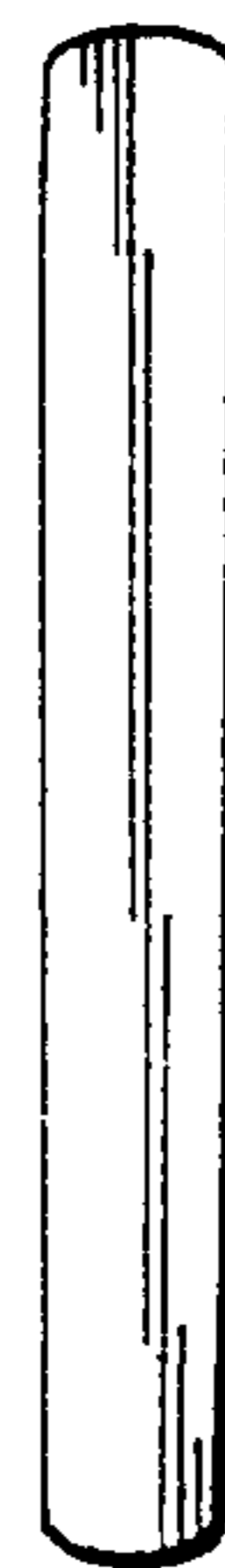


FIG. 7