



US00D555736S

(12) **United States Design Patent** (10) **Patent No.:** **US D555,736 S**
Decarlo et al. (45) **Date of Patent:** **** Nov. 20, 2007**

(54) **COLLAPSIBLE ORGANIZER**

(75) Inventors: **Anthony J. Decarlo**, Bay Village, OH (US); **Daniel V. Perella**, Hudson, OH (US); **Vincent J. Thomson**, Avon Lake, OH (US)

(73) Assignee: **Ideastream Consumer Products, LLC**, Parma, OH (US)

(**) Term: **14 Years**

(21) Appl. No.: **29/239,992**

(22) Filed: **Oct. 7, 2005**

(51) **LOC (8) Cl.** **19-02**

(52) **U.S. Cl.** **D19/90**

(58) **Field of Classification Search** D3/304,
D3/313, 314; D6/475, 476, 512, 513, 553,
D6/567, 573; D9/414, 432; D19/75, 78,
D19/86, 90, 91; 206/215, 425, 45.21, 45.25,
206/736, 740, 741; 211/11, 45, 50, 55, 126.13,
211/126.16, 128.1, 130.1; 229/103, 120.01,
229/120.25, 164, 190

See application file for complete search history.

(56) **References Cited**

U.S. PATENT DOCUMENTS

668,727 A * 2/1901 Chapman 220/23.83
1,111,619 A * 9/1914 Schrader 229/117.05
D162,153 S * 2/1951 Gilfert D19/78
D279,638 S * 7/1985 Kellogg D6/517
4,753,341 A * 6/1988 McIntyre 211/130.1
4,874,111 A * 10/1989 Heller 220/495.09
4,925,031 A * 5/1990 Collins 206/486
D310,761 S * 9/1990 Mervar et al. D6/567
4,955,677 A * 9/1990 Song 312/290
D359,404 S * 6/1995 Svee D6/476
5,447,242 A * 9/1995 Kelly et al. 211/42
D372,146 S * 7/1996 Svee D6/476
5,706,959 A * 1/1998 Smith 248/174

D390,268 S * 2/1998 Stravitz D19/90
5,826,730 A * 10/1998 Stravitz 211/55
D421,687 S * 3/2000 Curci D6/473
D451,744 S * 12/2001 Stravitz D6/571
D453,276 S * 2/2002 Stravitz D6/571
D494,760 S * 8/2004 Yuan D3/313
D502,509 S * 3/2005 DeCarlo et al. D19/75
2005/0263472 A1 * 12/2005 Norris et al. 211/184

* cited by examiner

Primary Examiner—Elizabeth A. Albert

(74) *Attorney, Agent, or Firm*—Pillsbury Winthrop Shaw Pittman LLP

(57) **CLAIM**

The ornamental design for a collapsible organizer, as shown and described.

DESCRIPTION

FIG. 1 is a perspective view of a collapsible organizer in an assembled state showing our new design;

FIG. 2 is a bottom perspective view of the collapsible organizer;

FIG. 3 is a front elevation view of the collapsible organizer;

FIG. 4 is a left side elevation view of the collapsible organizer, the right side elevation view being a mirror image of the left side elevation view;

FIG. 5 is a top plan view of the collapsible organizer;

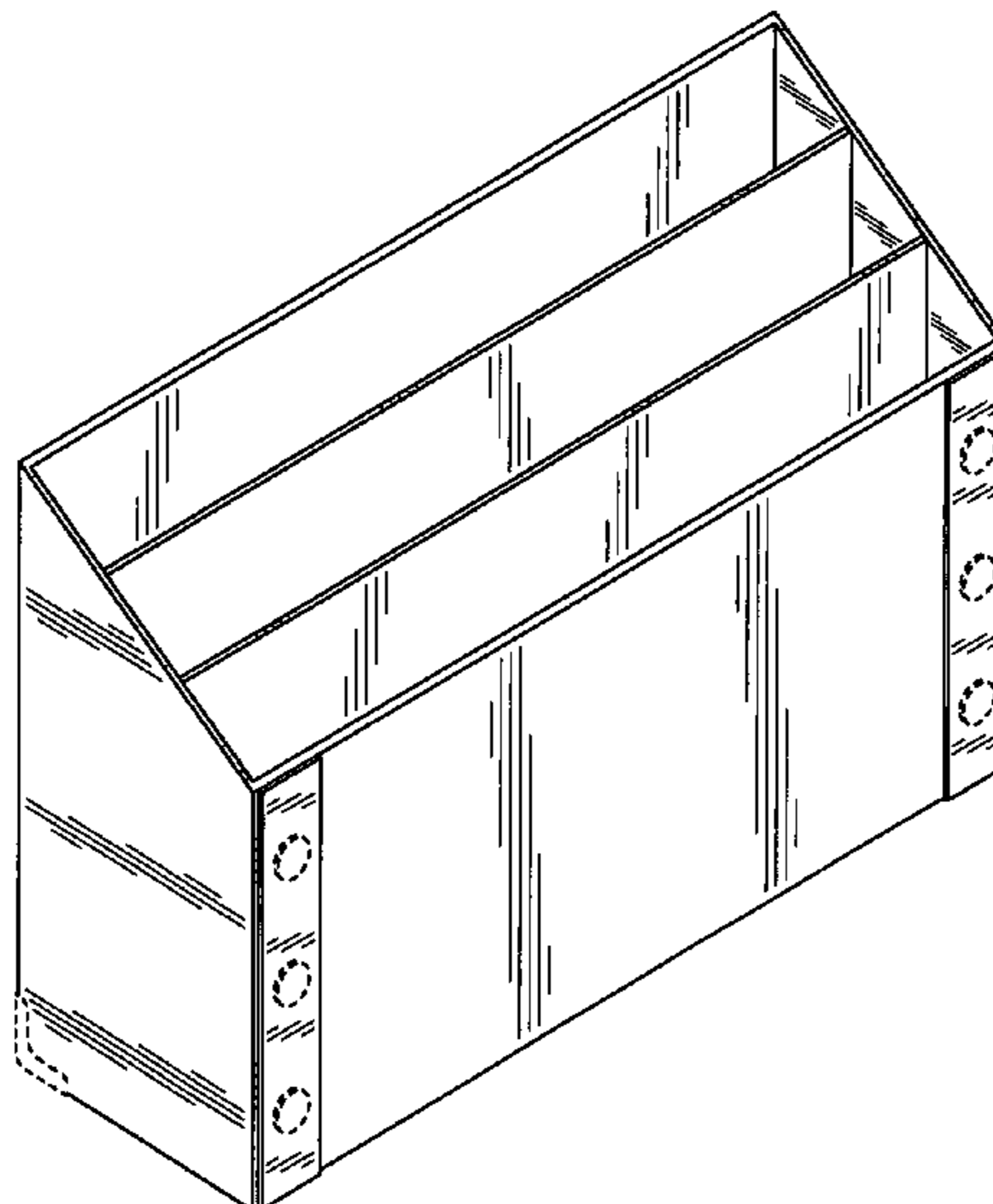
FIG. 6 is a bottom plan view of the collapsible organizer;

FIG. 7 is a rear elevation view of the collapsible organizer; and,

FIG. 8 is a top plan view of the collapsible organizer in a collapsed state.

The broken lines showing environment in the drawings are for illustrative purposes only, and form no part of the claimed design.

1 Claim, 8 Drawing Sheets



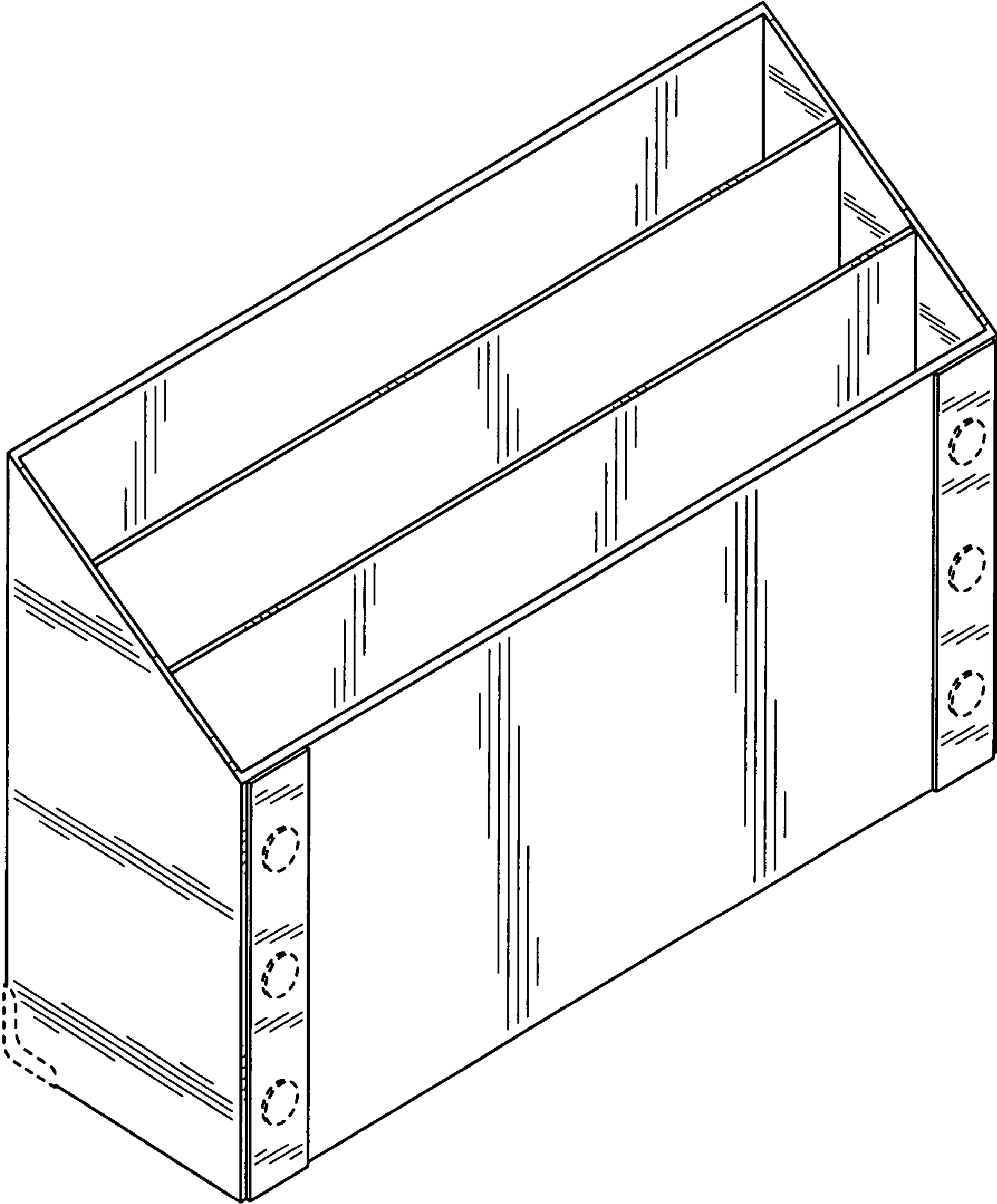


FIG. 1

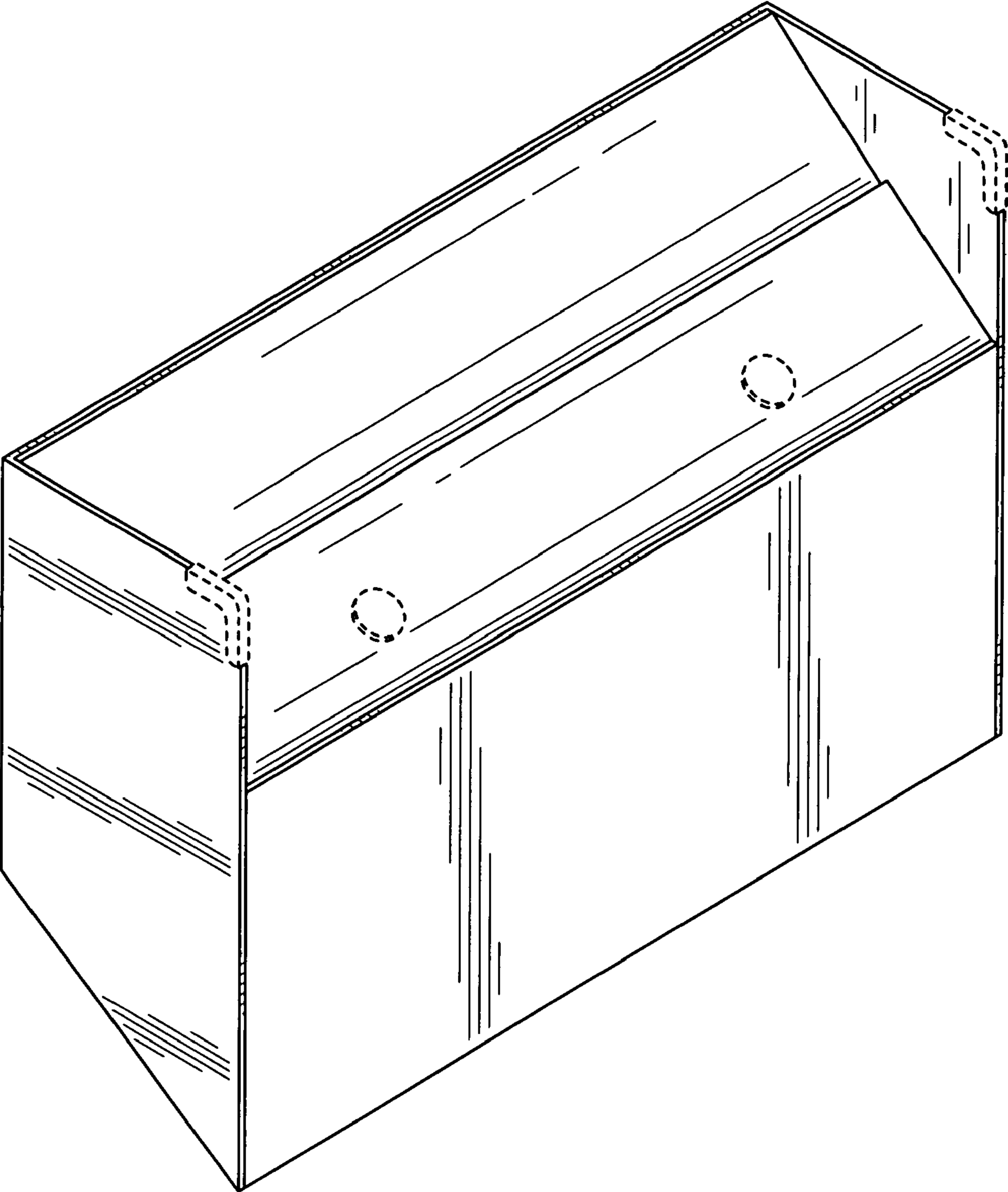


FIG. 2

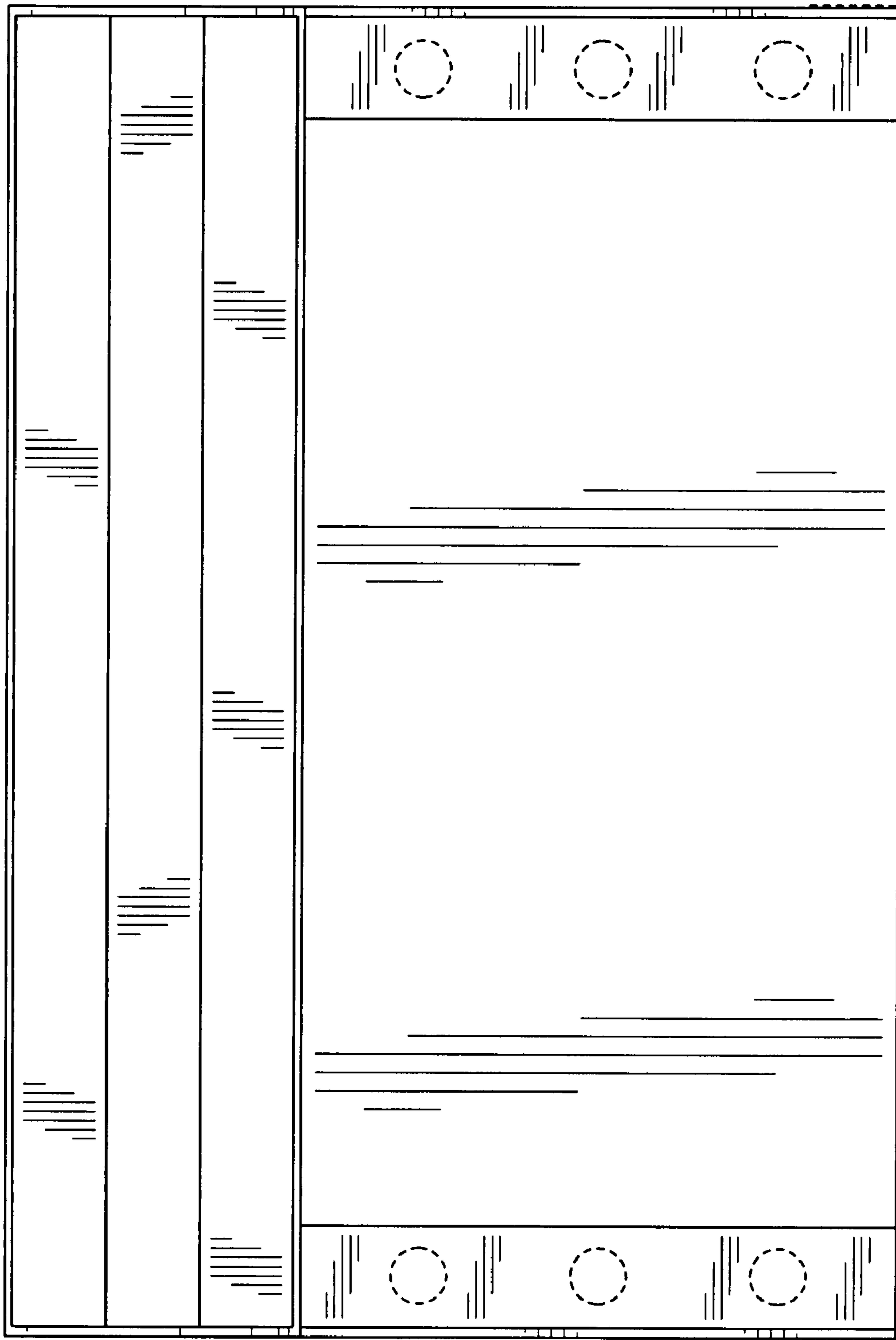


FIG. 3

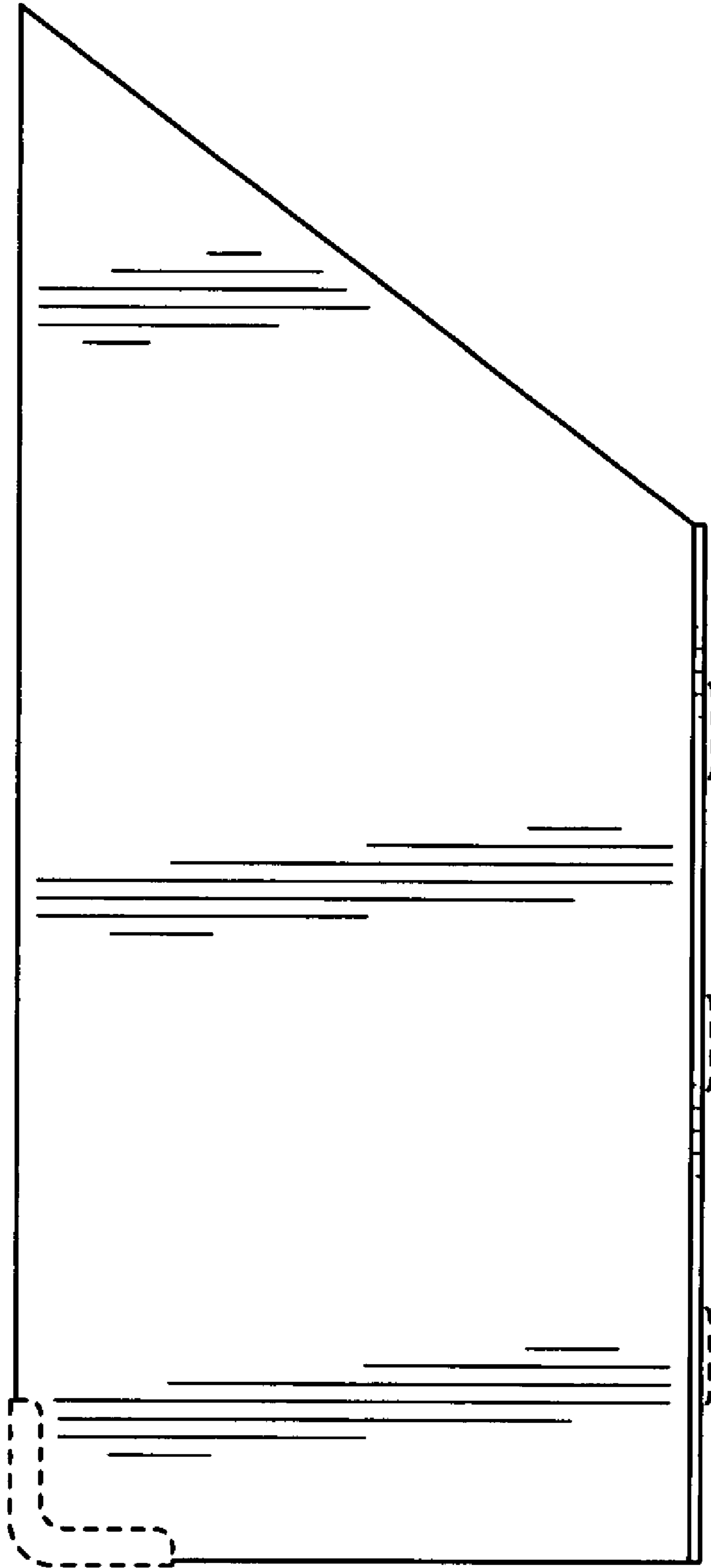


FIG. 4

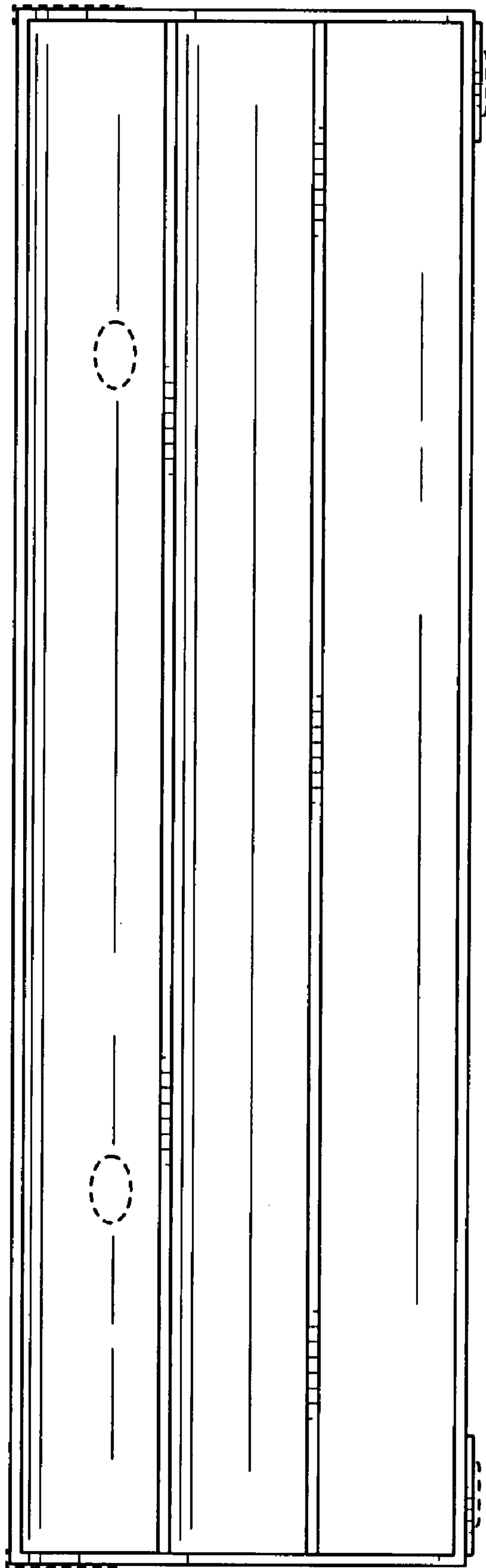


FIG. 5

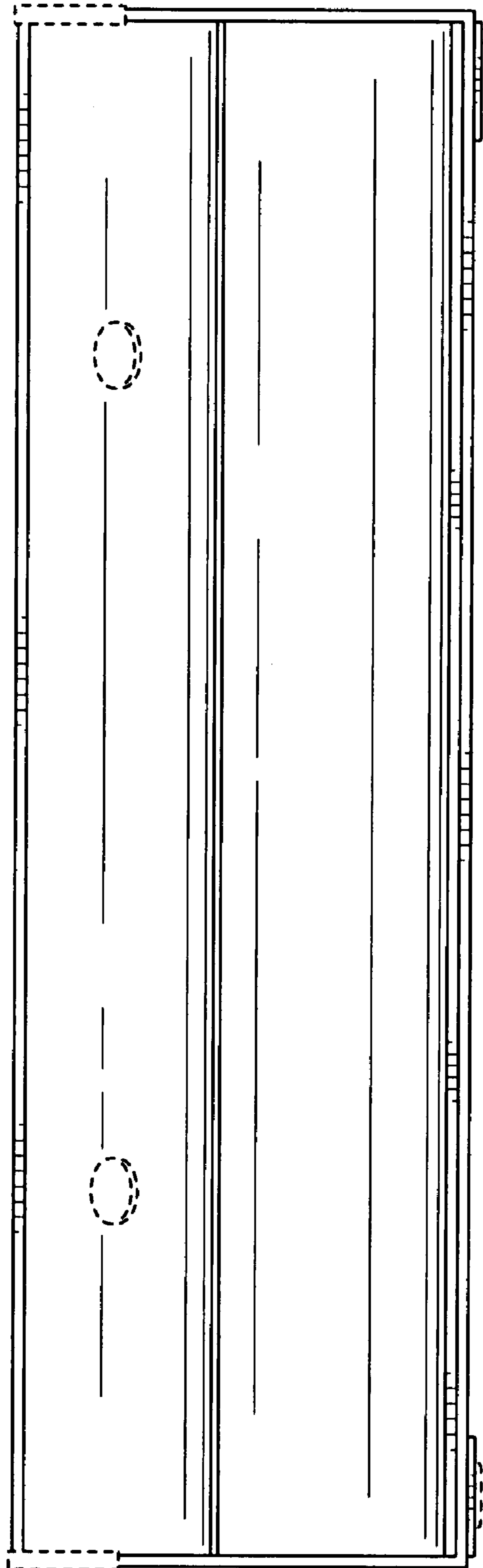


FIG. 6

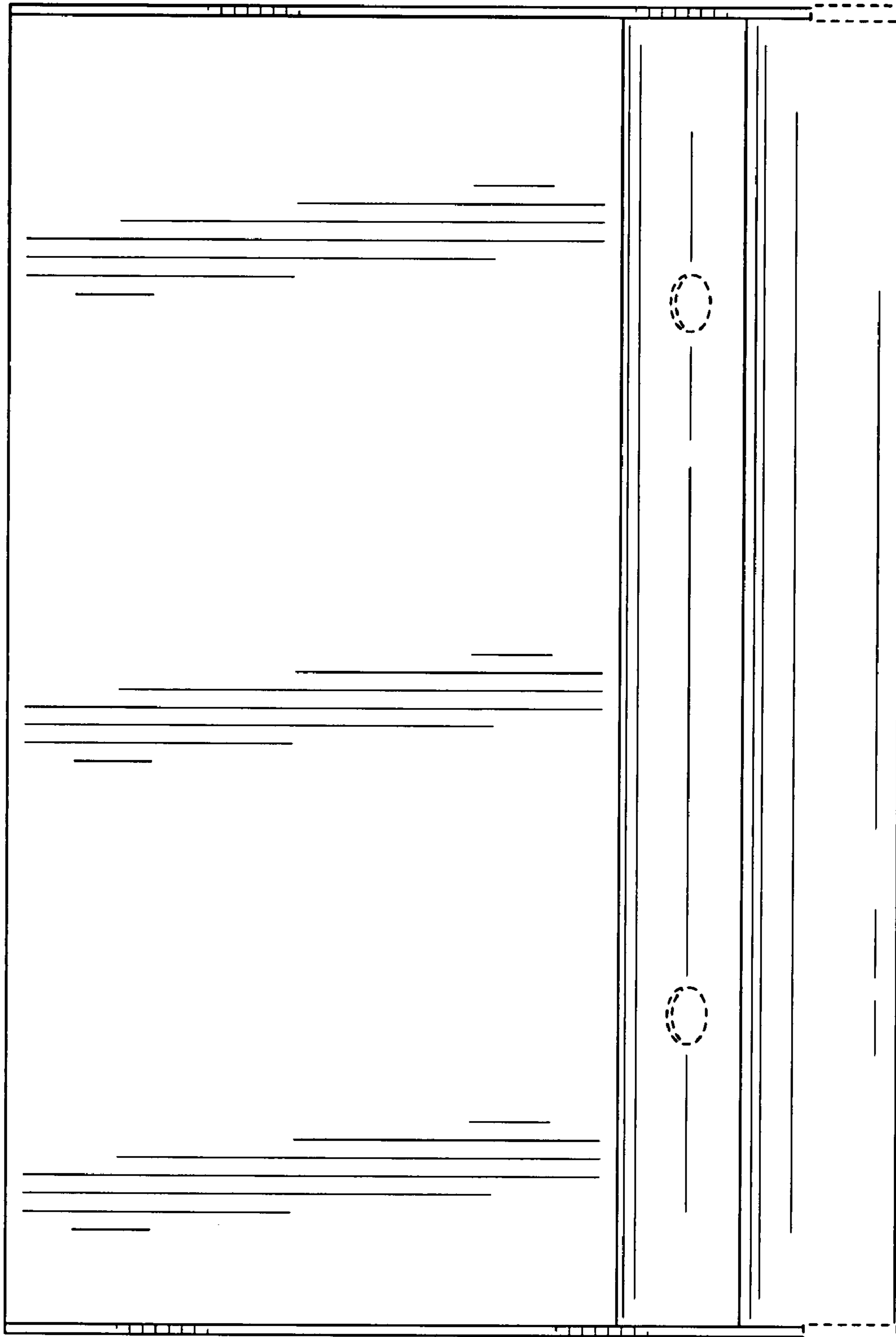


FIG. 7

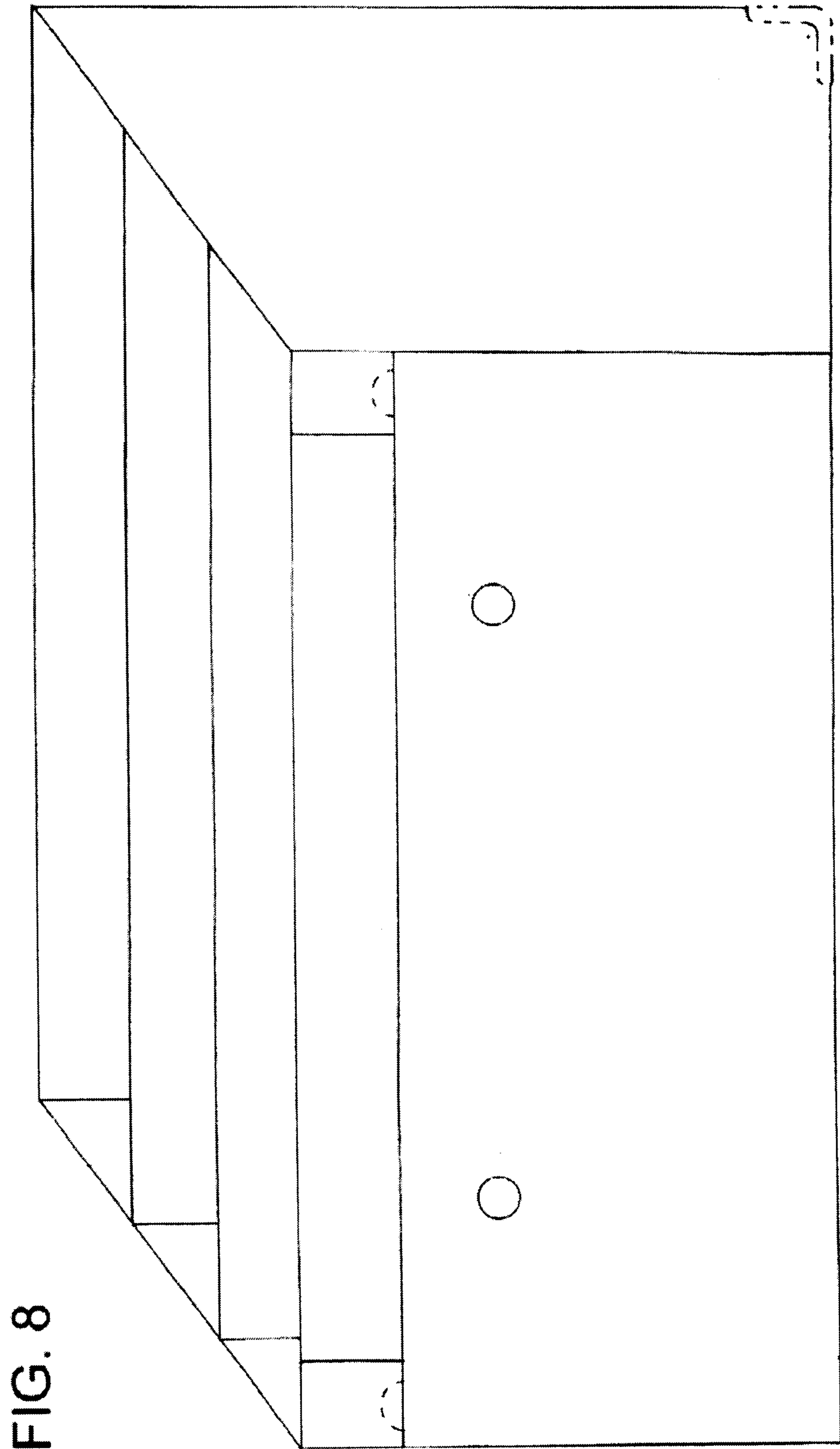


FIG. 8