



US00D555735S

(12) **United States Design Patent** (10) **Patent No.:** **US D555,735 S**  
**Nash et al.** (45) **Date of Patent:** **\*\* Nov. 20, 2007**

(54) **DISPENSER FOR FLAGS**

2005/0109790 A1\* 5/2005 Hsu ..... 221/34

(75) Inventors: **James E. Nash**, Bloomington, MN  
(US); **Peter J. Newbould**, Milan (IT);  
**Timothy J. O'Leary**, White Bear Lake,  
MN (US)

FOREIGN PATENT DOCUMENTS

WO WO 97/19272 5/1997

OTHER PUBLICATIONS

(73) Assignee: **3M Innovative Properties Company**,  
St. Paul, MN (US)

U.S. Appl. No. 29/263,059, filed Jul. 14, 2006, James E. Nash.  
U.S. Appl. No. 29/262,992, filed Jul. 14, 2006, James E. Nash.  
U.S. Appl. No. 60/830,979, filed Jul. 14, 2006, James E. Nash.  
U.S. Appl. No. 60/830,764, filed Jul. 14, 2006, James E. Nash.

(\*\*) Term: **14 Years**

\* cited by examiner

(21) Appl. No.: **29/263,060**

*Primary Examiner*—Elizabeth A. Albert

(22) Filed: **Jul. 14, 2006**

(57) **CLAIM**

(51) **LOC (8) Cl.** ..... **19-02**

The ornamental design for a dispenser for flags, as shown and described.

(52) **U.S. Cl.** ..... **D19/86**

(58) **Field of Classification Search** ..... D6/515,  
D6/518; D9/734; D19/78, 86, 90, 91; 206/39.5,  
206/215, 233; 221/45, 46, 48, 51, 52, 56,  
221/59, 61, 63

**DESCRIPTION**

See application file for complete search history.

FIG. 1 is an isometric view of a dispenser for flags according to the present invention;

(56) **References Cited**

U.S. PATENT DOCUMENTS

FIG. 2 is a front view of the dispenser for flags illustrated in FIG. 1;

D120,743 S \* 5/1940 Petzold ..... D19/89  
3,381,853 A \* 5/1968 Ferris et al. .... 221/63  
4,828,303 A 5/1989 Soria  
4,907,825 A 3/1990 Miles et al.  
5,014,946 A 5/1991 Gruber  
5,180,132 A 1/1993 Pearson et al.  
D396,247 S \* 7/1998 Carlson et al. .... D19/86  
D396,492 S \* 7/1998 Carlson et al. .... D19/86  
5,964,375 A \* 10/1999 Carlson et al. .... 221/45  
6,053,356 A 4/2000 Emoff et al.  
6,136,392 A 10/2000 Sheffield, Jr. et al.  
D434,801 S 12/2000 Van Den Berg  
D502,740 S \* 3/2005 Stoddard et al. .... D19/86  
6,972,141 B1 12/2005 Bries et al.  
7,186,908 B2 \* 3/2007 Hodesh et al. .... 84/320

FIG. 3 is a right side view of the dispenser for flags illustrated in FIG. 1;

FIG. 4 is a left side view of the dispenser for flags illustrated in FIG. 1;

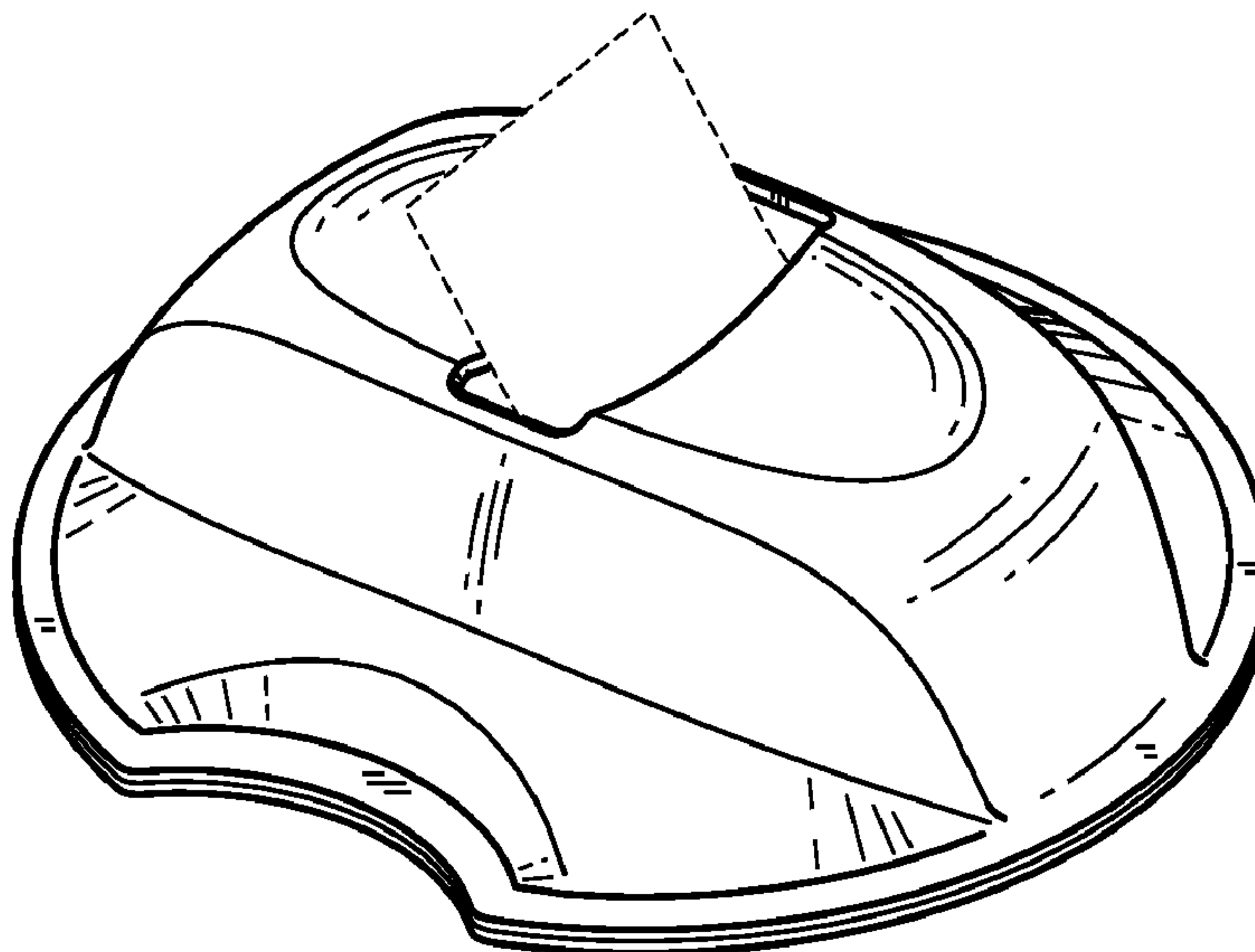
FIG. 5 is a top plan view of the dispenser for flags illustrated in FIG. 1;

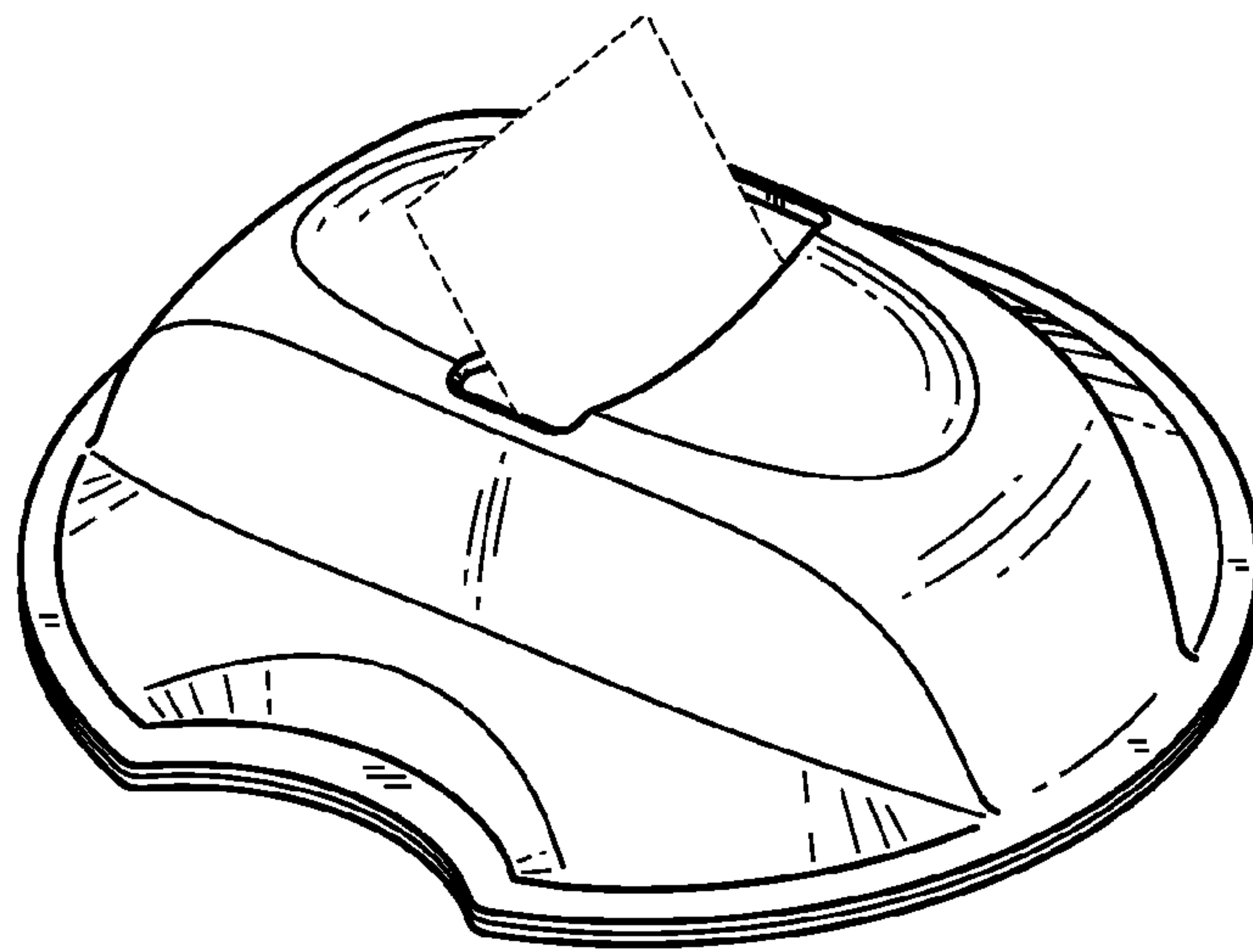
FIG. 6 is a rear view of the dispenser for flags illustrated in FIG. 1; and,

FIG. 7 is a bottom plan view of the dispenser for flags illustrated in FIG. 1.

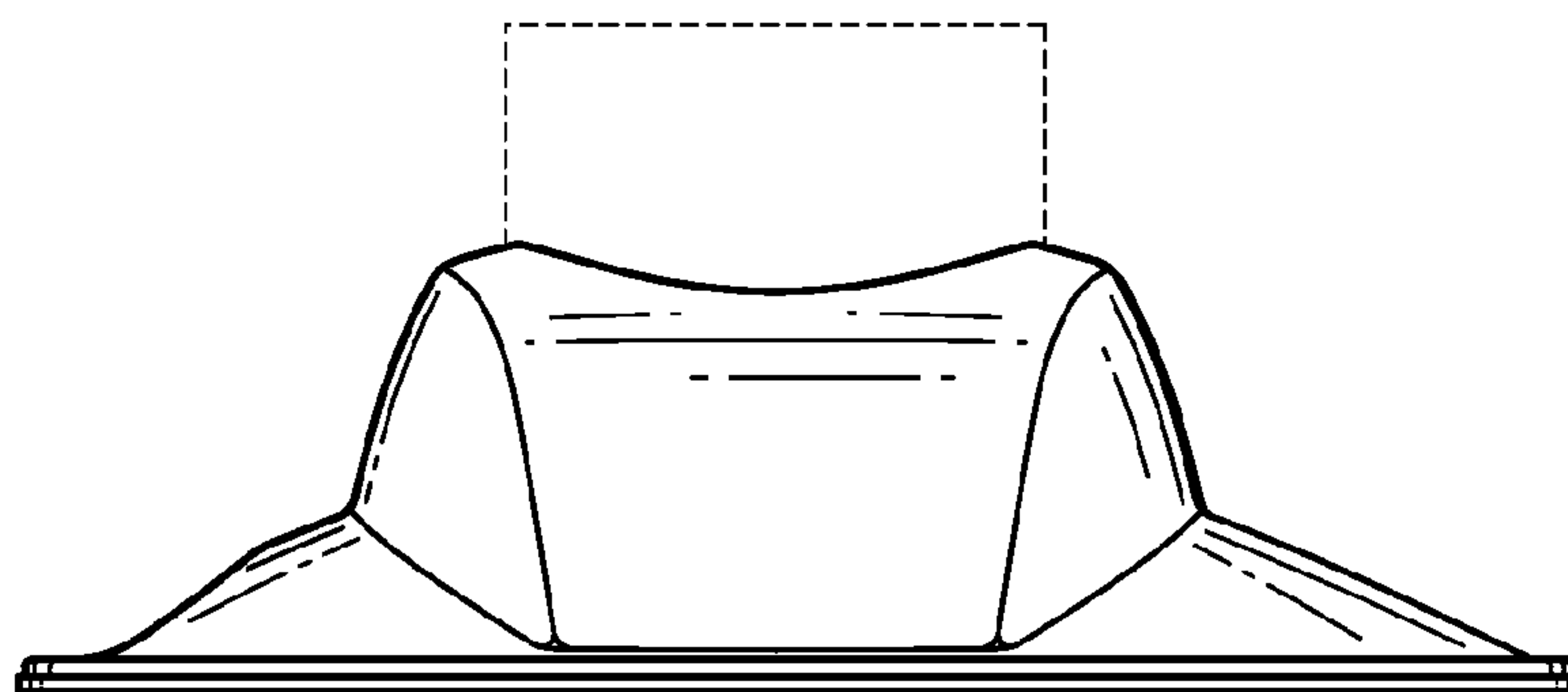
The structure depicted by means of broken lines in the figures has been shown for illustrative purposes only and forms no part of the claimed design.

**1 Claim, 3 Drawing Sheets**

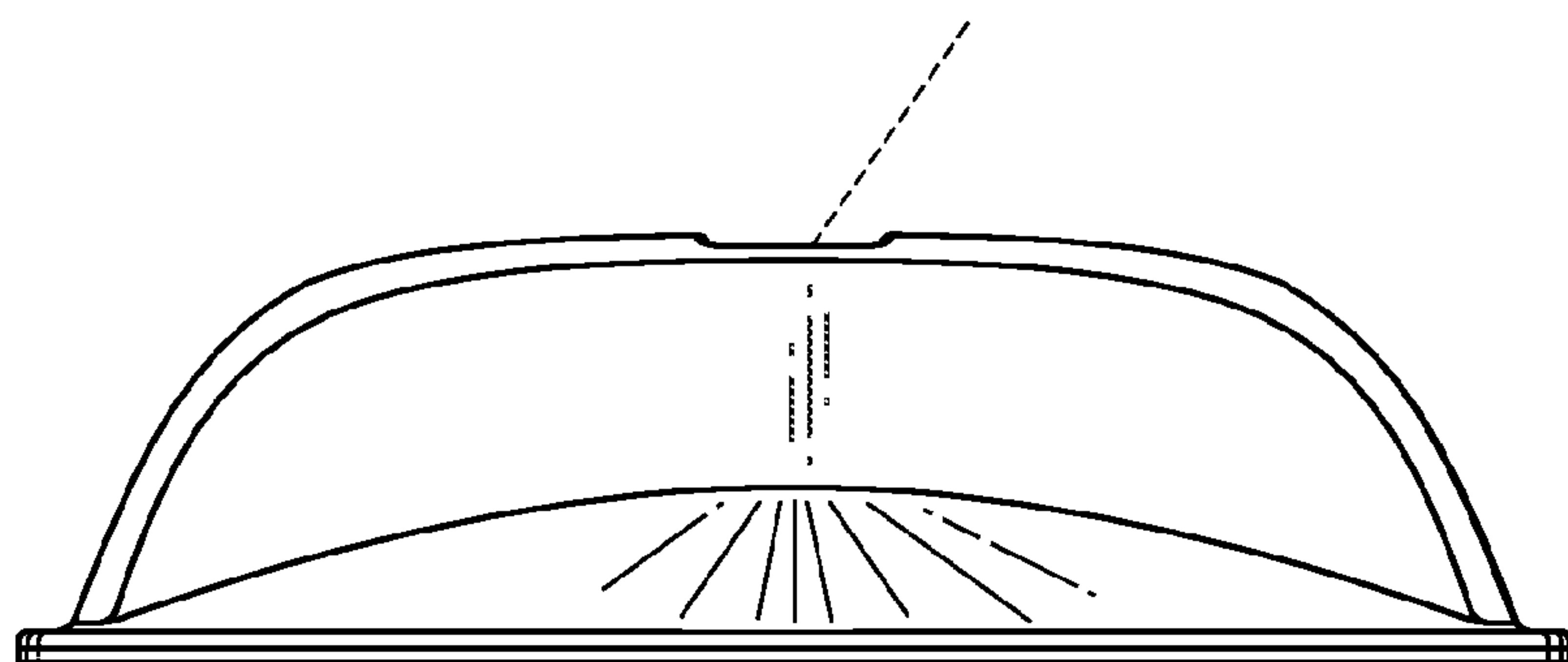




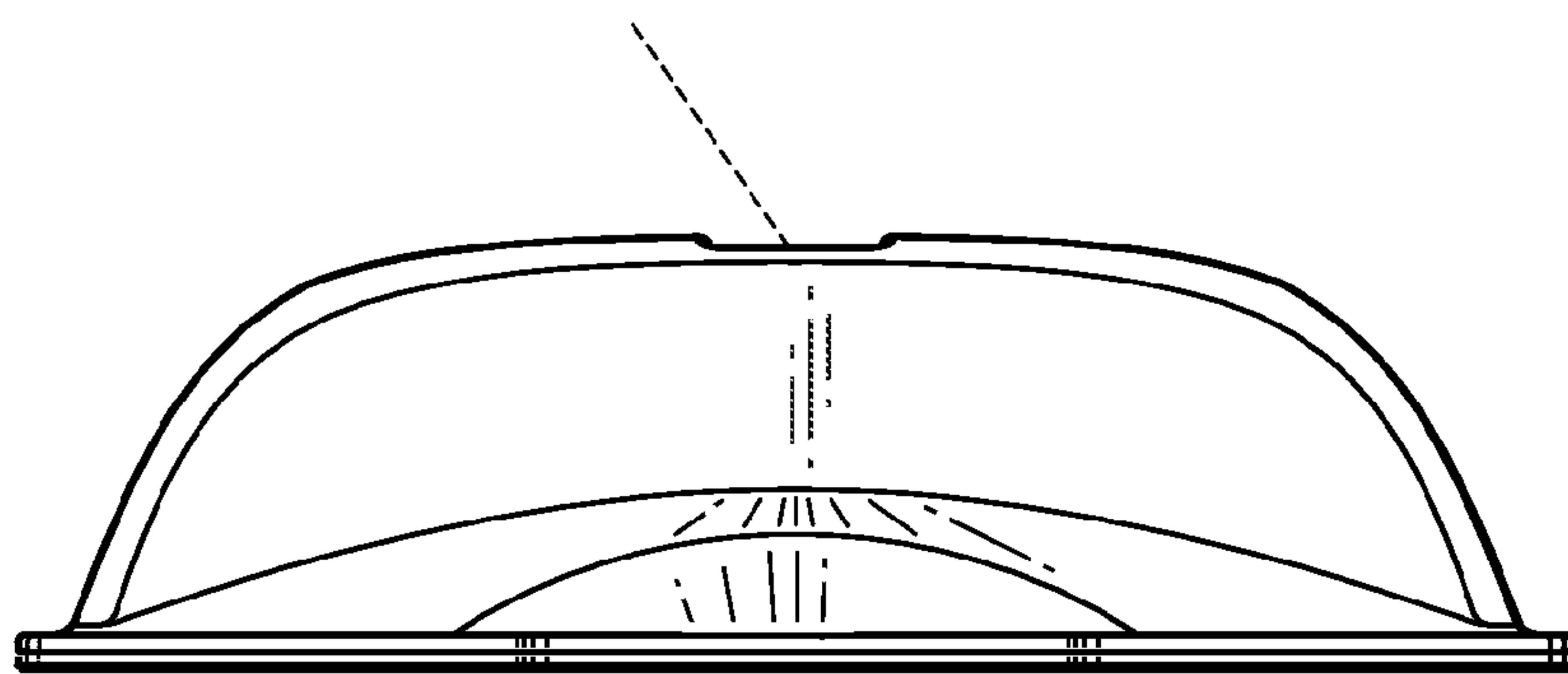
*FIG. 1*



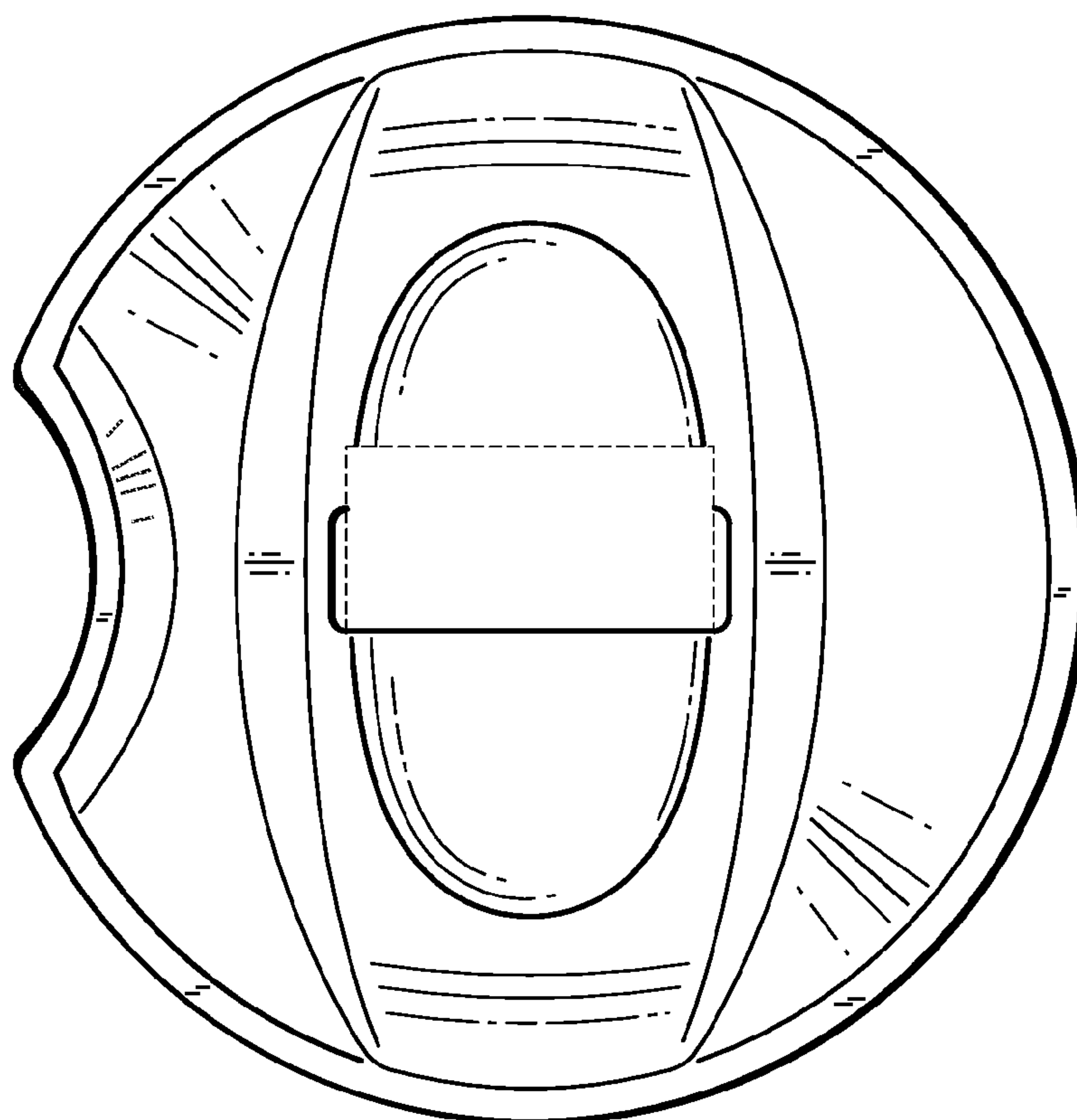
*FIG. 2*



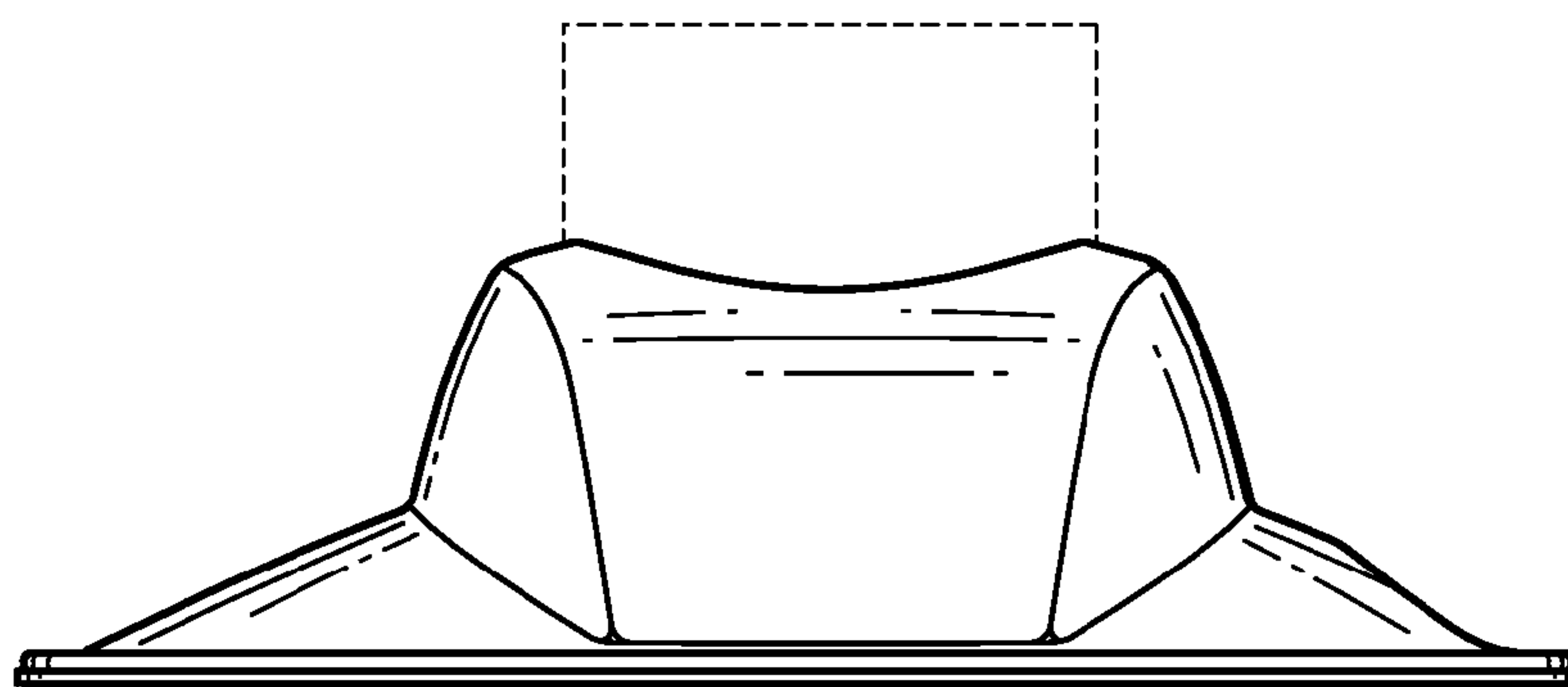
*FIG. 3*



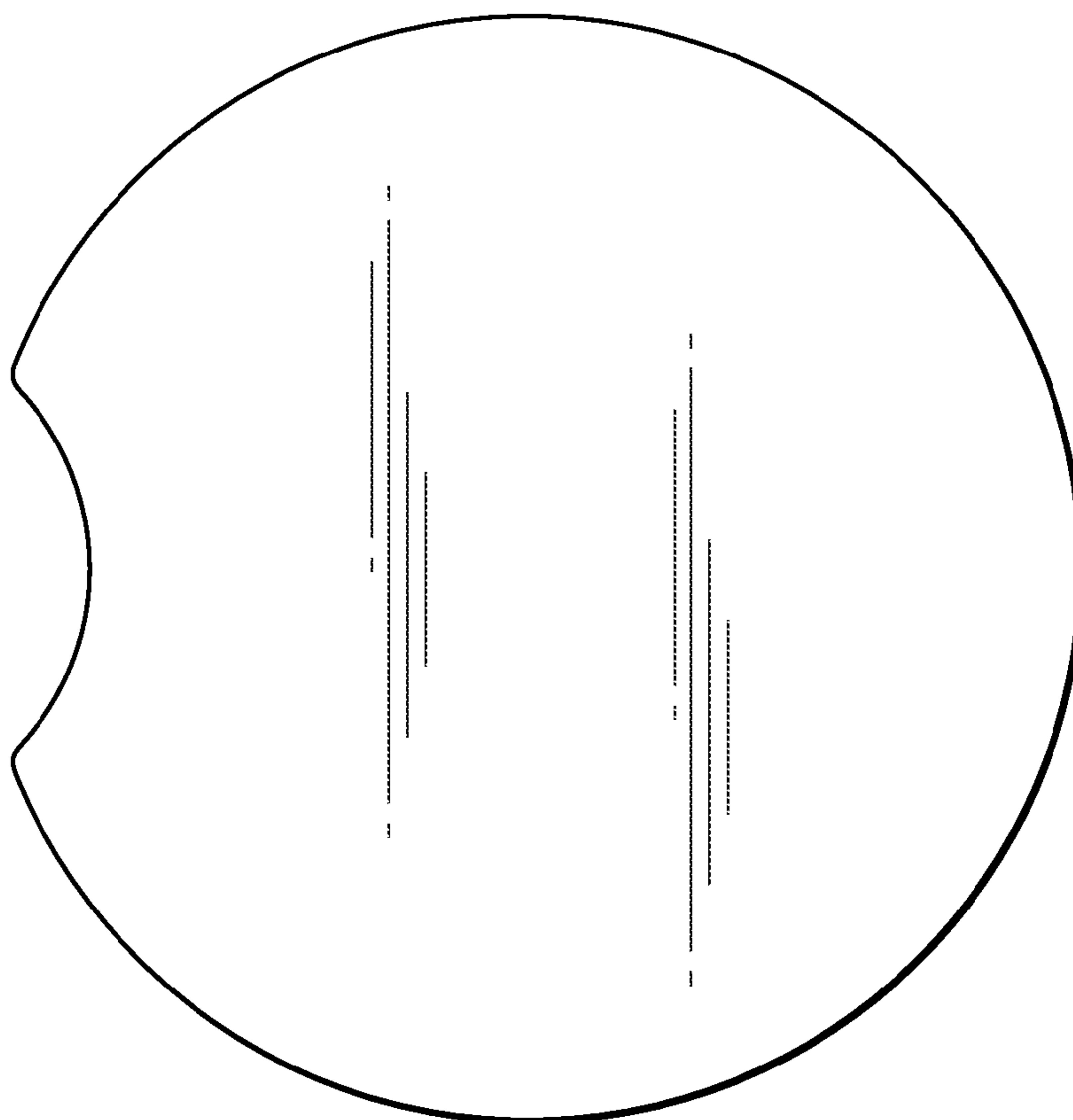
*FIG. 4*



*FIG. 5*



*FIG. 6*



*FIG. 7*