



US00D555733S

(12) **United States Design Patent** (10) **Patent No.:** **US D555,733 S**
Nash et al. (45) **Date of Patent:** **** Nov. 20, 2007**

(54) **DISPENSER FOR FLAGS**

7,186,908 B2 * 3/2007 Hodesh et al. 84/320
2005/0109790 A1 * 5/2005 Hsu 221/34

(75) Inventors: **James E. Nash**, Bloomington, MN
(US); **Peter J. Newbould**, Milan (IT);
Timothy J. O’Leary, White Bear Lake,
MN (US)

FOREIGN PATENT DOCUMENTS

WO WO 97/19272 5/1997

(73) Assignee: **3M Innovative Properties Company**,
St. Paul, MN (US)

OTHER PUBLICATIONS

U.S. Appl. No. 29/263,060, James E. Nash, et al., filed Jul. 14, 2006.
U.S. Appl. No. 29/263,059, James E. Nash, et al., filed Jul. 14, 2006.
U.S. Appl. No. 60/830,979, James E. Nash, et al., filed Jul. 14, 2006.
U.S. Appl. No. 60/830,764, James E. Nash, et al., filed Jul. 14, 2006.

(**) Term: **14 Years**

* cited by examiner

(21) Appl. No.: **29/262,992**

Primary Examiner—Elizabeth A. Albert

(22) Filed: **Jul. 14, 2006**

(51) **LOC (8) Cl.** **19-02**

(57) **CLAIM**

(52) **U.S. Cl.** **D19/86**

The ornamental design for a dispenser for flags, as shown and described.

(58) **Field of Classification Search** D6/515,
D6/518; D9/734; D19/78, 86, 90, 91; 206/39.5,
206/215, 233; 221/45, 46, 48, 51, 52, 56,
221/59, 61, 63

DESCRIPTION

See application file for complete search history.

FIG. 1 is an isometric view of a dispenser for flags according to the present invention;

(56) **References Cited**

U.S. PATENT DOCUMENTS

D120,743 S *	5/1940	Petzold	D19/89
3,381,853 A *	5/1968	Ferris et al.	221/63
4,828,303 A	5/1989	Soria		
4,907,825 A	3/1990	Miles et al.		
5,014,946 A	5/1991	Gruber		
5,180,132 A	1/1993	Pearson et al.		
D396,247 S *	7/1998	Carlson et al.	D19/86
D396,492 S *	7/1998	Carlson et al.	D19/86
5,964,375 A *	10/1999	Carlson et al.	221/45
6,053,356 A	4/2000	Emoff et al.		
6,136,392 A	10/2000	Sheffield, Jr. et al.		
D434,801 S	12/2000	Van Den Berg		
D502,740 S *	3/2005	Stoddard et al.	D19/86
6,972,141 B1	12/2005	Bries et al.		

FIG. 2 is a front view of the dispenser for flags illustrated in FIG. 1, the rear view being a mirror image thereof;

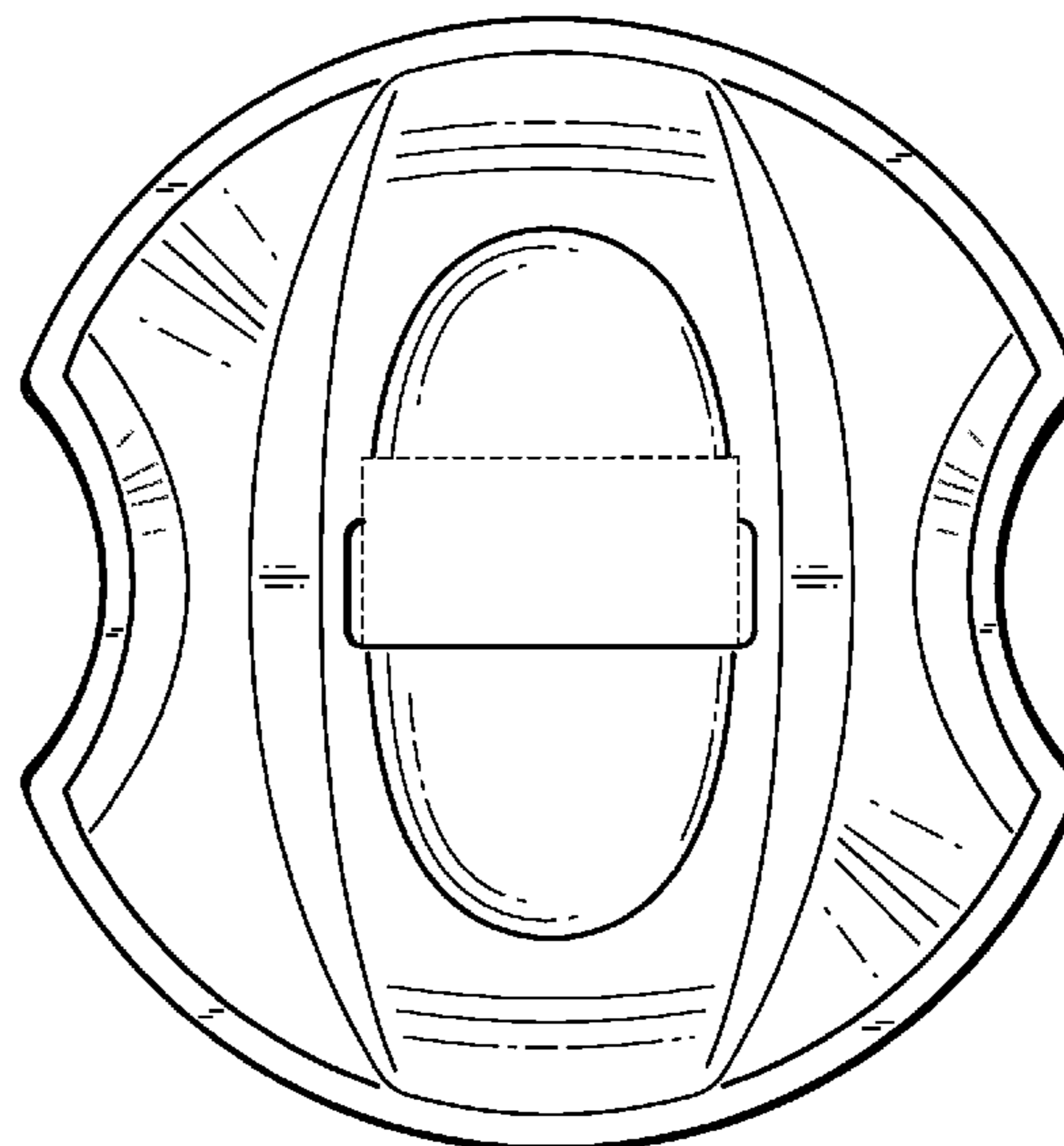
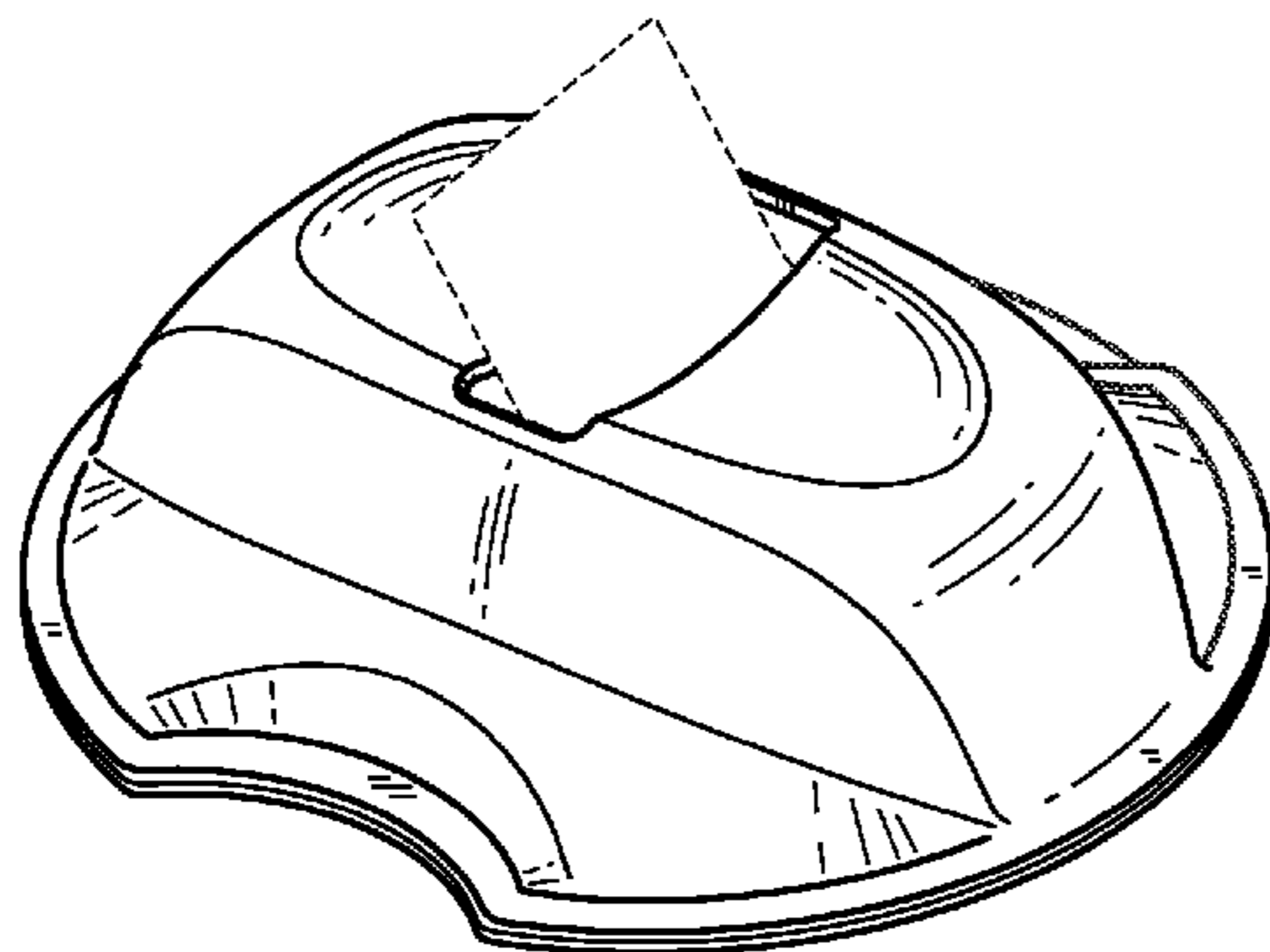
FIG. 3 is a right side view of the dispenser for flags illustrated in FIG. 1, the left side view being a mirror image thereof;

FIG. 4 is a top plan view of the dispenser for flags illustrated in FIG. 1; and,

FIG. 5 is a bottom plan view of the dispenser for flags illustrated in FIG. 1.

The structure depicted by means of broken lines in the figures has been shown for illustrative purposes only and forms no part of the claimed design.

1 Claim, 2 Drawing Sheets



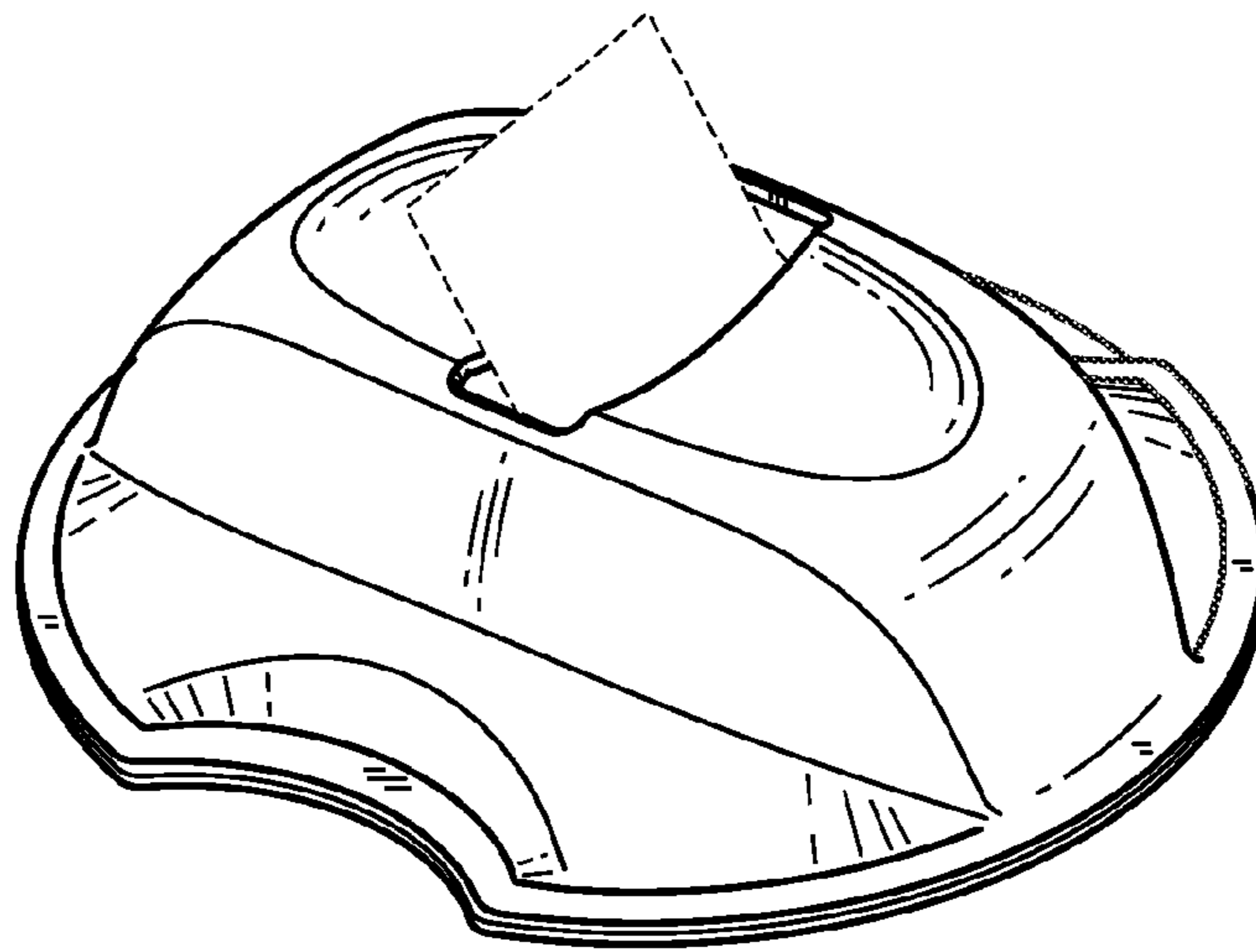


FIG. 1

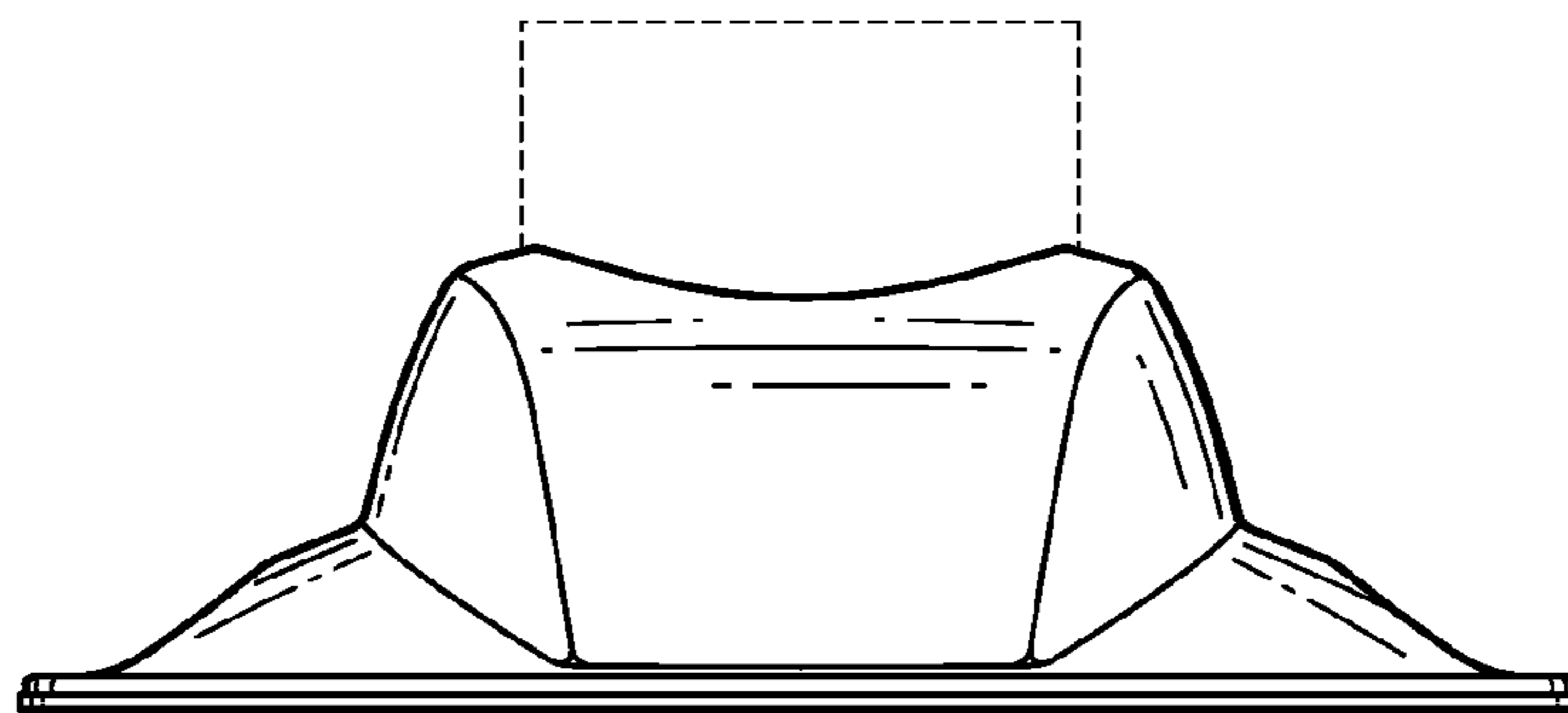


FIG. 2

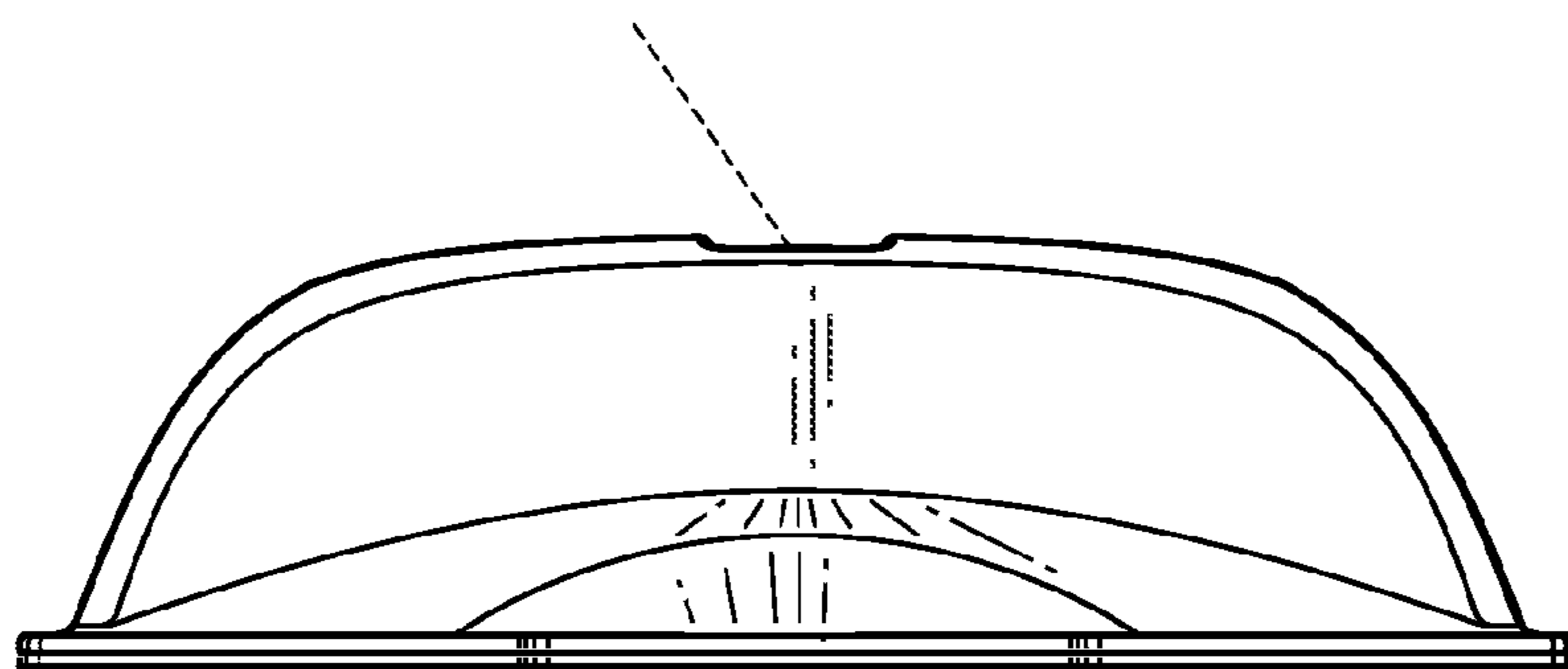


FIG. 3

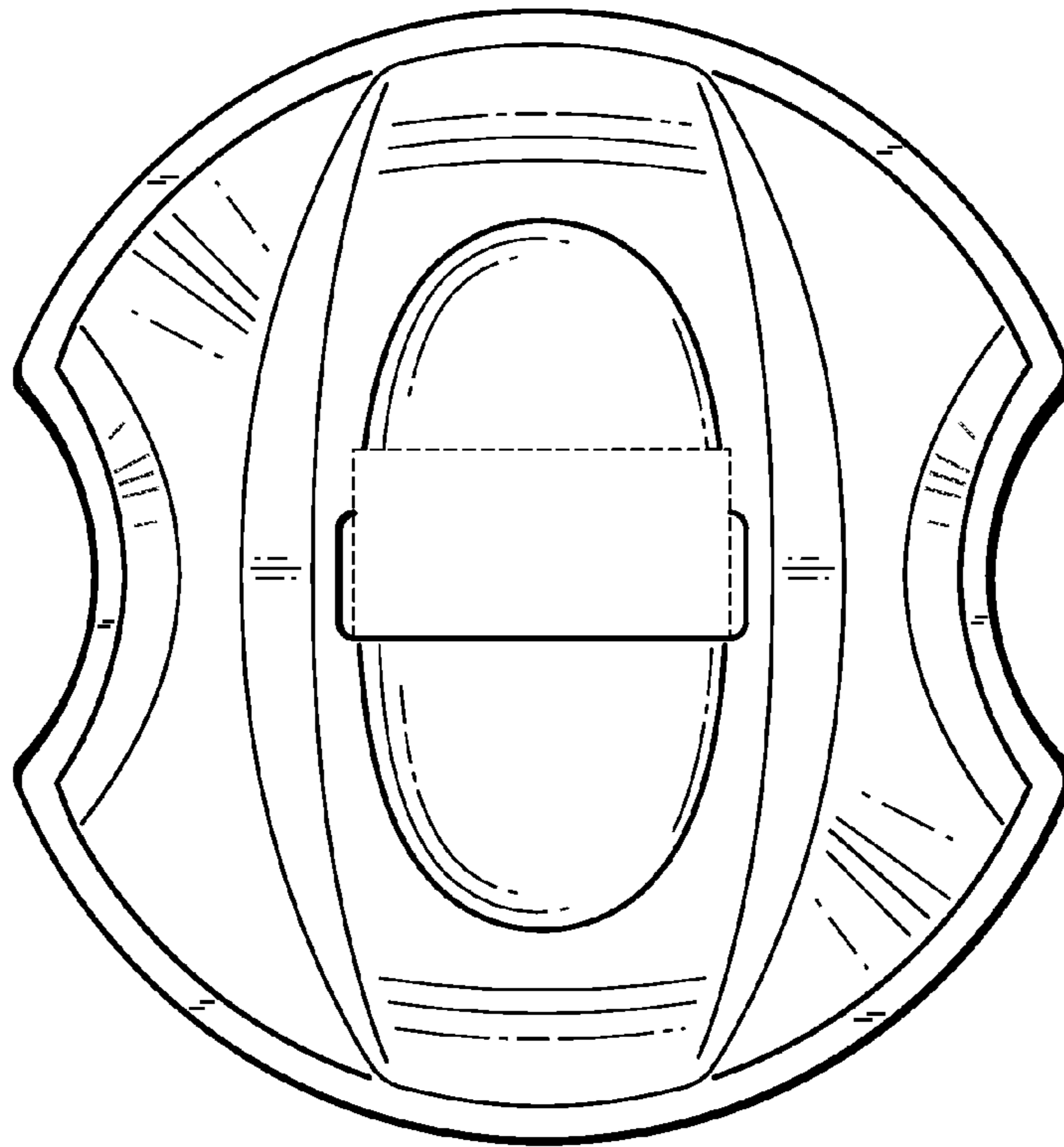


FIG. 4

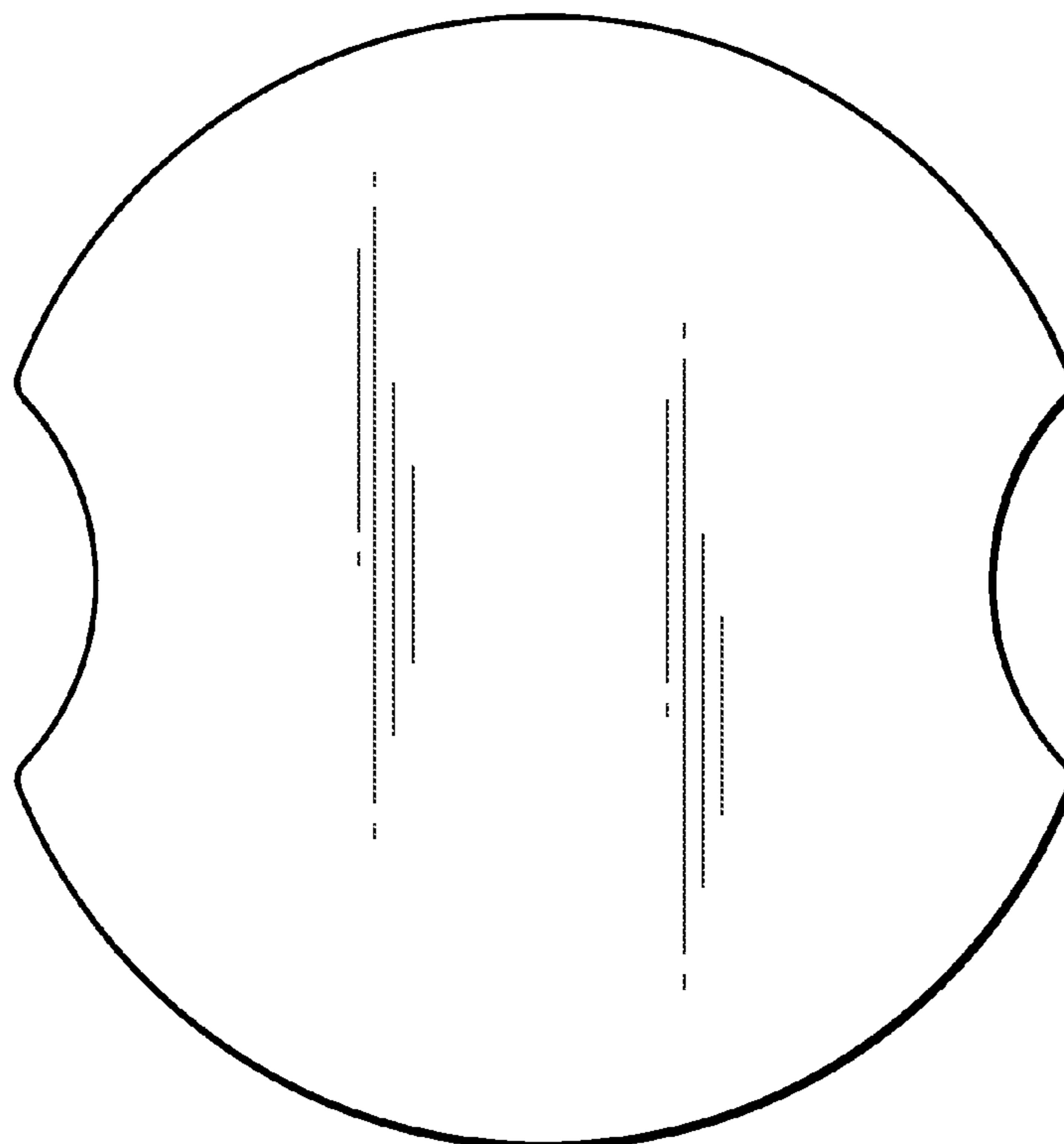


FIG. 5