



US00D555730S

(12) **United States Design Patent**  
**Rosenbaum et al.**

(10) **Patent No.:** **US D555,730 S**

(45) **Date of Patent:** **\*\* Nov. 20, 2007**

(54) **WRITING INSTRUMENT STAND**

(75) Inventors: **Barry Rosenbaum**, West Bloomfield, MI (US); **Victor Ptak**, Plymouth, MI (US)

(73) Assignee: **Stylus, Inc.**, Southfield, MI (US)

(\*\*) Term: **14 Years**

(21) Appl. No.: **29/262,402**

(22) Filed: **Jun. 30, 2006**

(51) **LOC (8) Cl.** ..... **19-06**

(52) **U.S. Cl.** ..... **D19/85**

(58) **Field of Classification Search** ..... D19/35,  
D19/36, 54, 75-92; 24/10 R, 11 CT; 206/214,  
206/575; 211/69.1-69.9; 248/127, 146,  
248/314; 401/131

See application file for complete search history.

(56) **References Cited**

**U.S. PATENT DOCUMENTS**

D166,075 S *	3/1952	Glaberson	.....	D19/77
D185,934 S *	8/1959	Barron	.....	D10/62
D188,967 S *	10/1960	Bieger	.....	D19/99
D259,122 S *	5/1981	Macowski	.....	D19/75
D259,124 S *	5/1981	Macowski	.....	D19/75
D263,155 S *	2/1982	Macowski	.....	D19/99
D264,607 S *	5/1982	Bradbury	.....	D19/85
D273,876 S *	5/1984	Evenson	.....	D19/75
D293,590 S *	1/1988	Mimaki	.....	D19/75
D295,992 S *	5/1988	Lothe	.....	D19/85
D303,125 S *	8/1989	Evenson	.....	D19/85
D320,231 S *	9/1991	Evenson	.....	D19/85
6,040,978 A	3/2000	Spencer		
6,449,146 B1	9/2002	Ryuuzaki		
6,483,698 B1	11/2002	Loh		
6,600,827 B2	7/2003	Lu		
6,869,304 B2	3/2005	Groebe et al.		

6,937,468 B2 8/2005 Lin et al.  
D514,576 S 2/2006 Sung et al.  
2003/0095380 A1 5/2003 Chen et al.

\* cited by examiner

*Primary Examiner*—Elizabeth A. Albert

(74) *Attorney, Agent, or Firm*—Brooks Kushman P.C.

(57) **CLAIM**

The ornamental design for a writing instrument stand, as shown and described.

**DESCRIPTION**

FIG. 1 is a perspective view of a first embodiment of the writing instrument stand showing my new design;

FIG. 2 is a front elevation view of the stand of FIG. 1;

FIG. 3 is a rear elevation view of the stand of FIG. 1;

FIG. 4 is a top plan view of the stand of FIG. 1;

FIG. 5 is a bottom plan view of the stand of FIG. 1;

FIG. 6 is a left side elevation view of the stand of FIG. 1;

FIG. 7 is a right side elevation view of the stand of FIG. 1;

FIG. 8 is a perspective view of a second embodiment of the writing instrument stand;

FIG. 9 is a front elevation view of the stand of FIG. 8;

FIG. 10 is a rear elevation view of the stand of FIG. 8;

FIG. 11 is a top plan view of the stand of FIG. 8;

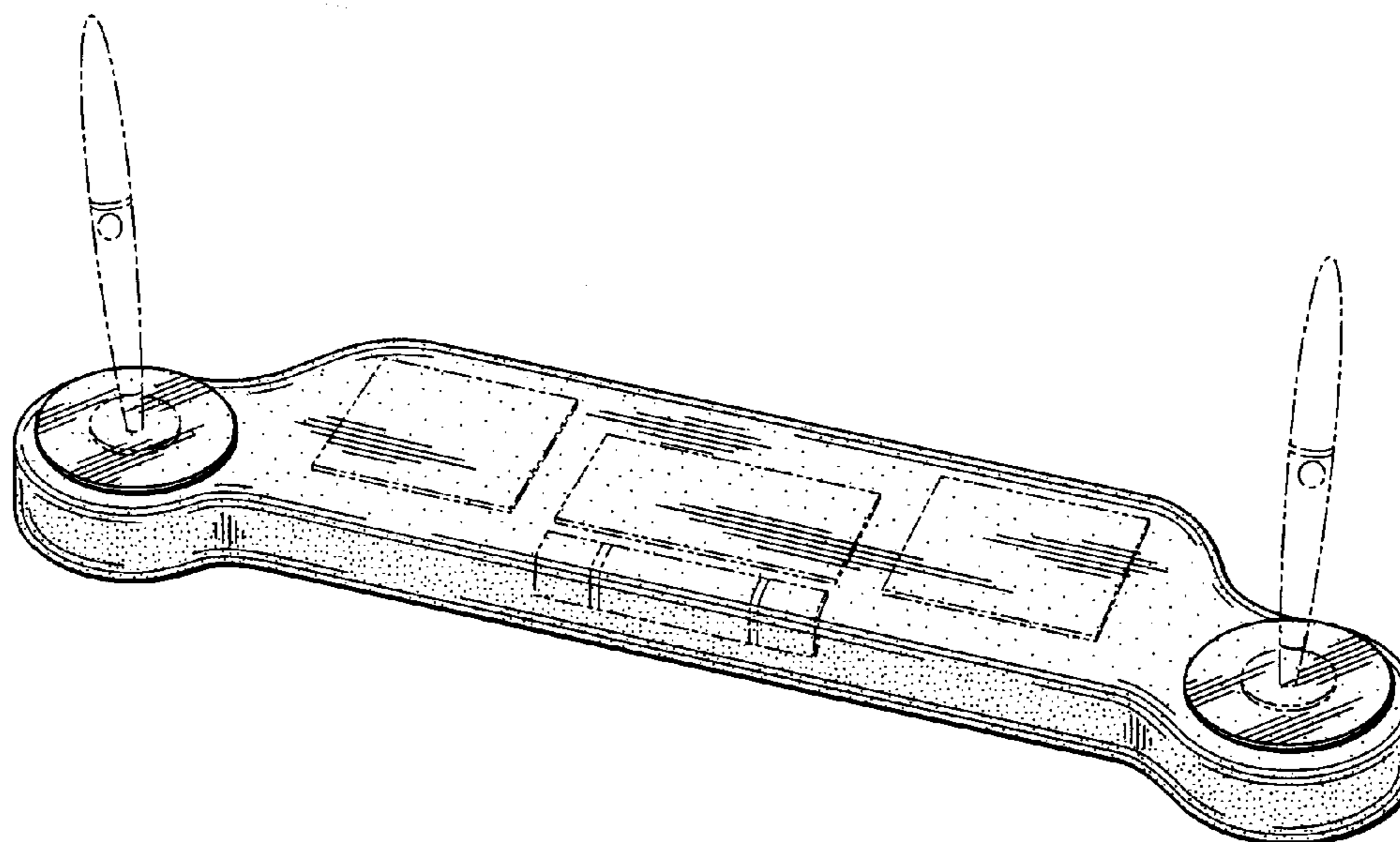
FIG. 12 is a bottom plan view of the stand of FIG. 8;

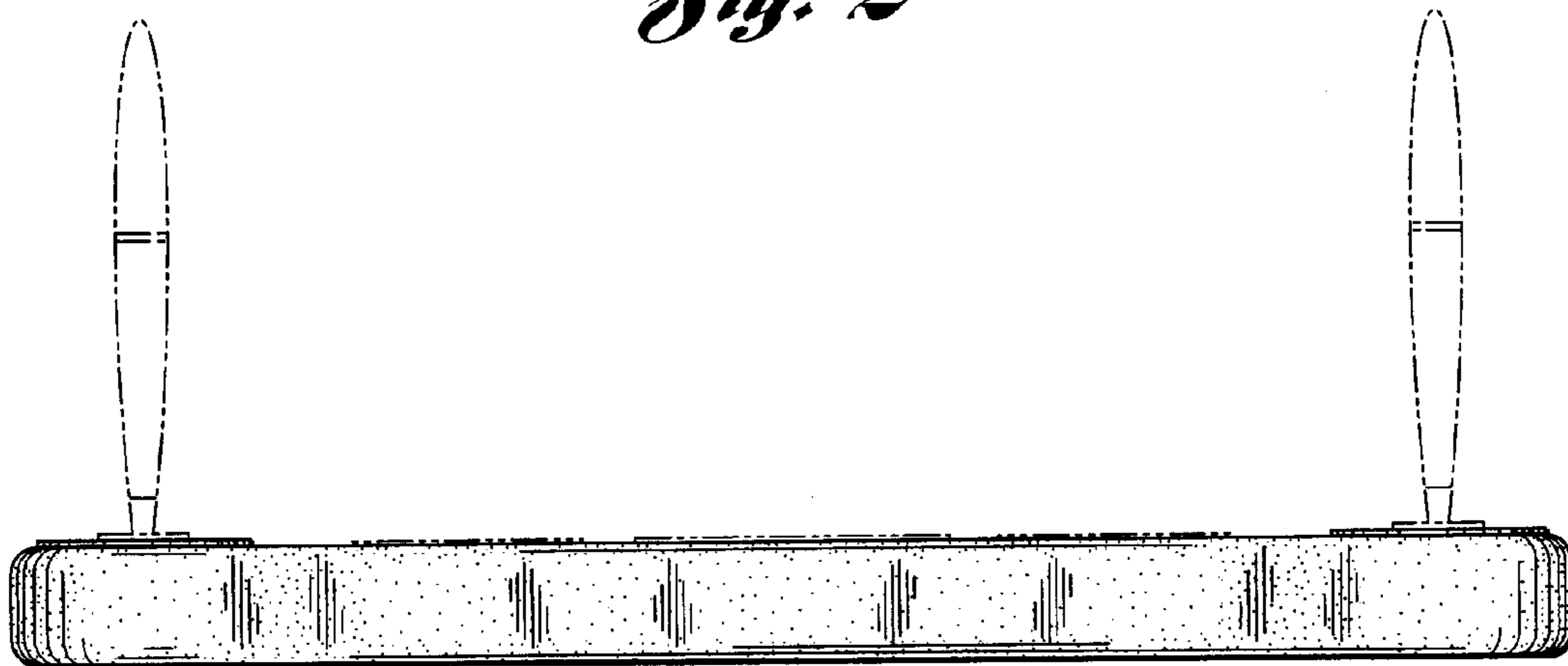
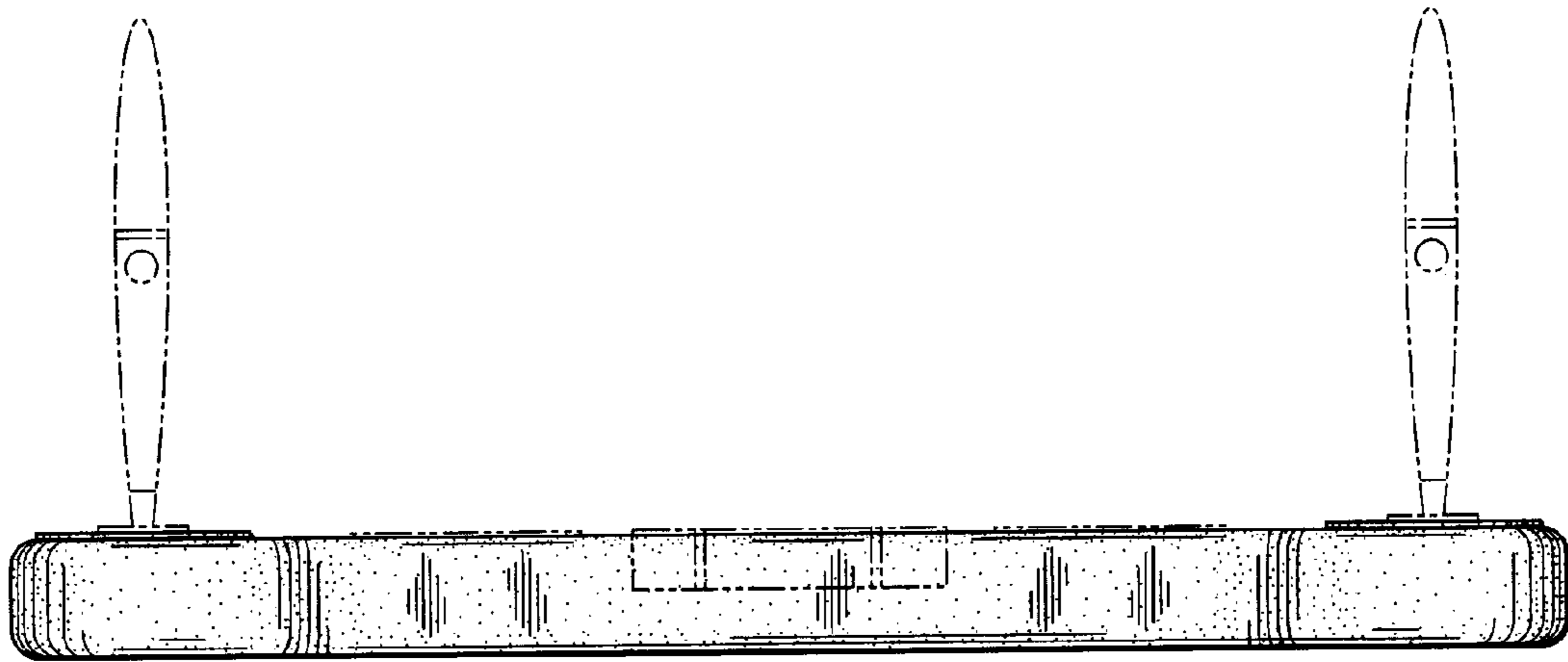
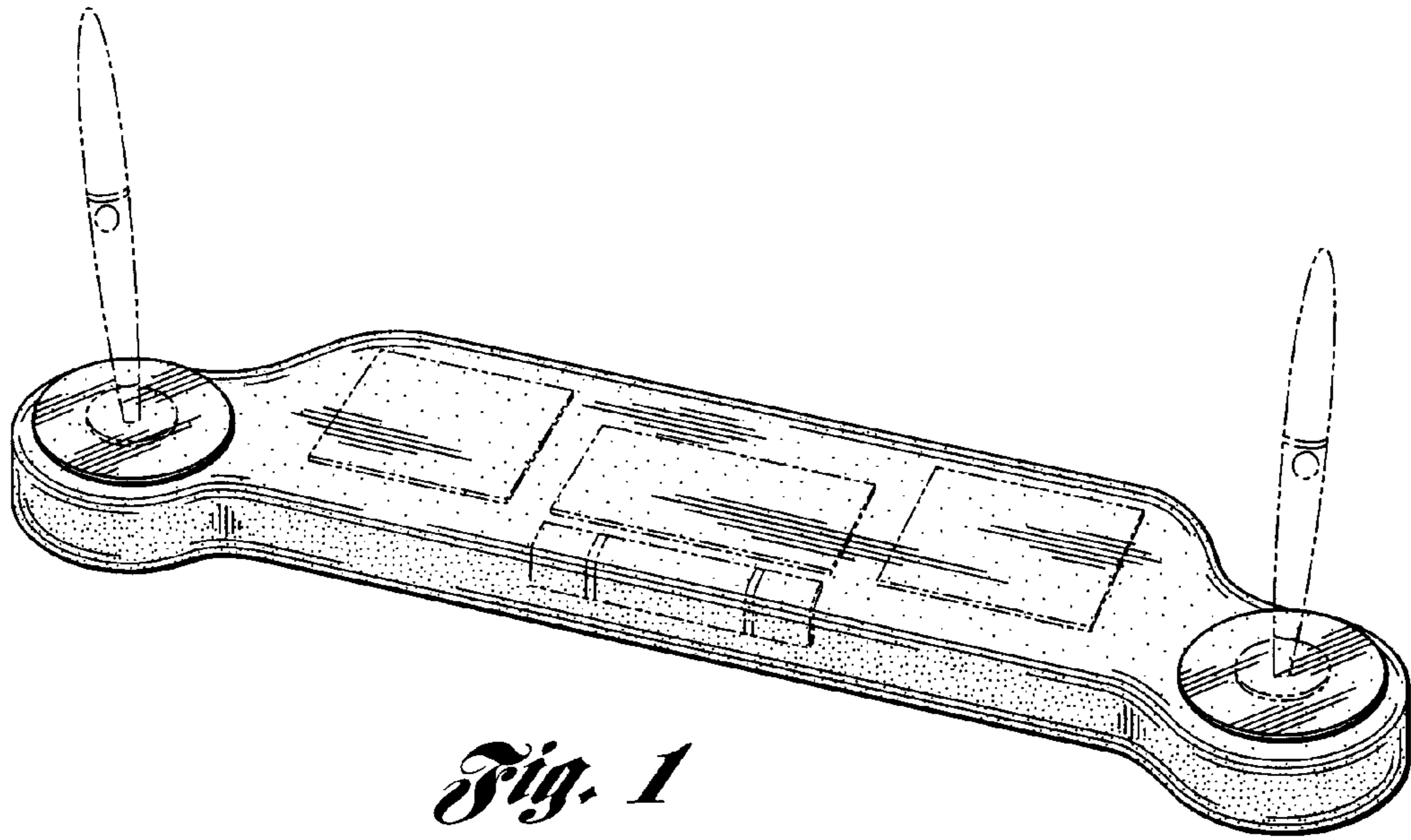
FIG. 13 is a left side elevation view of the stand of FIG. 8; and,

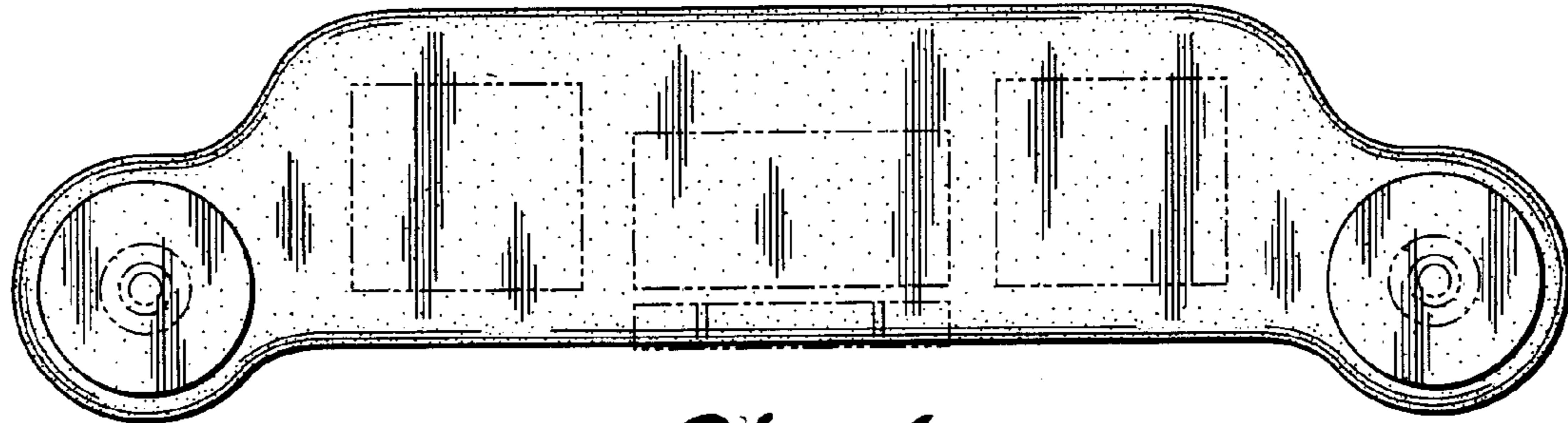
FIG. 14 is a right side elevation view of the stand of FIG. 8.

The broken lines are for illustrative purposes only and form no part of the claimed design.

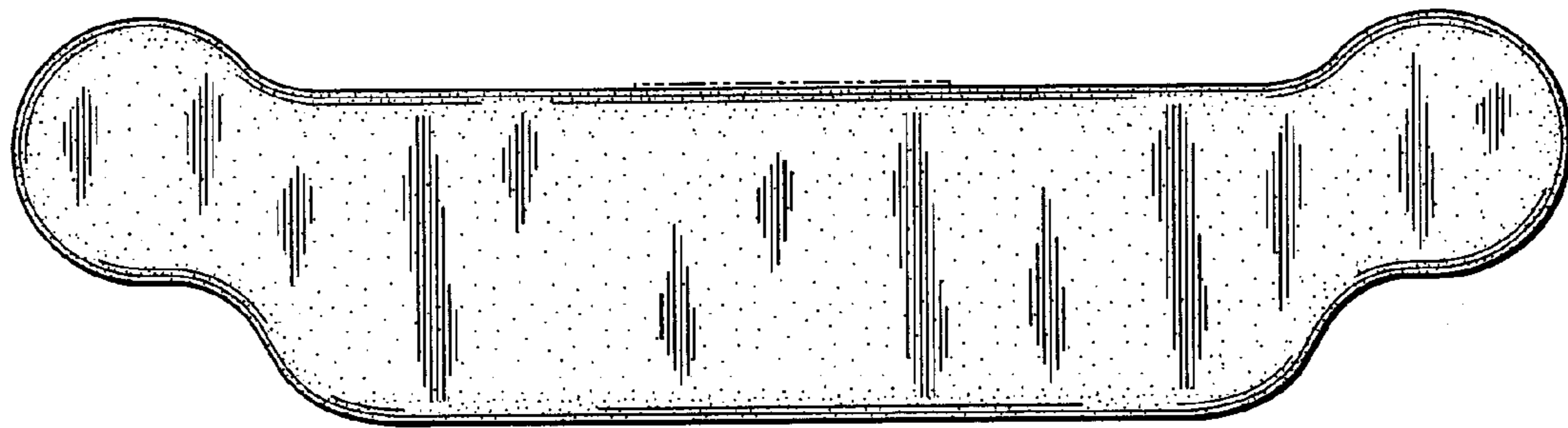
**1 Claim, 4 Drawing Sheets**



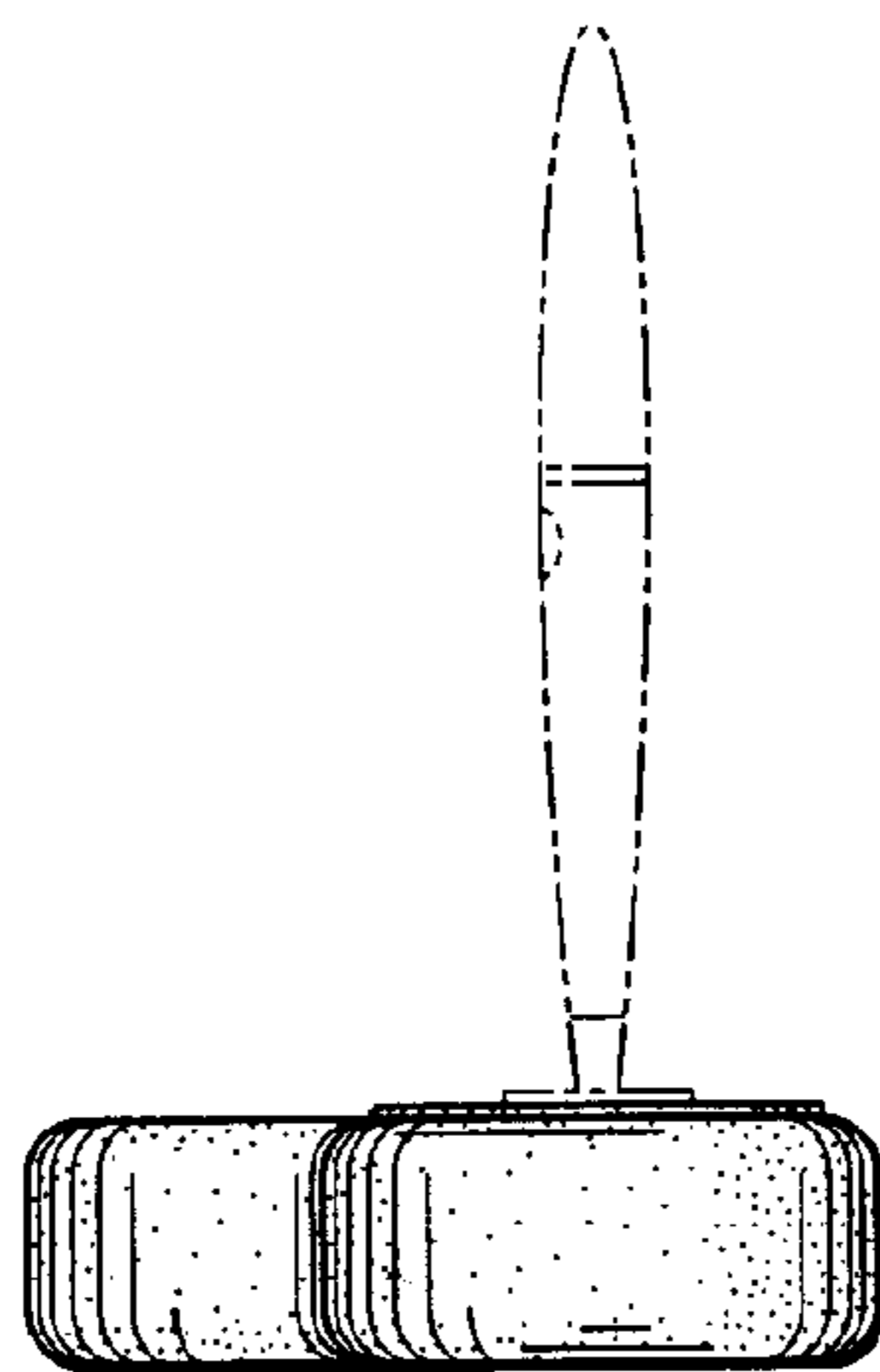




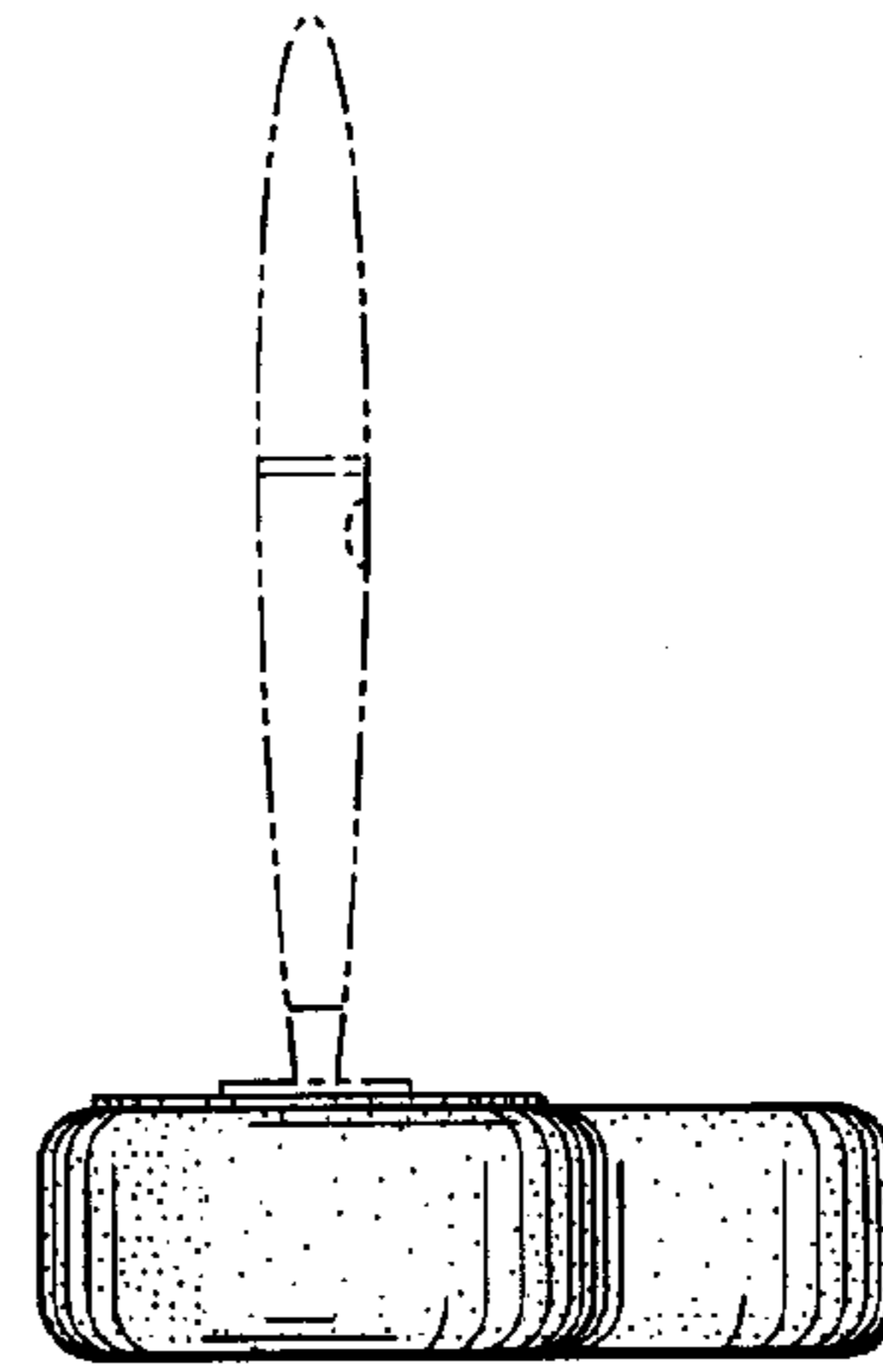
*Fig. 4*



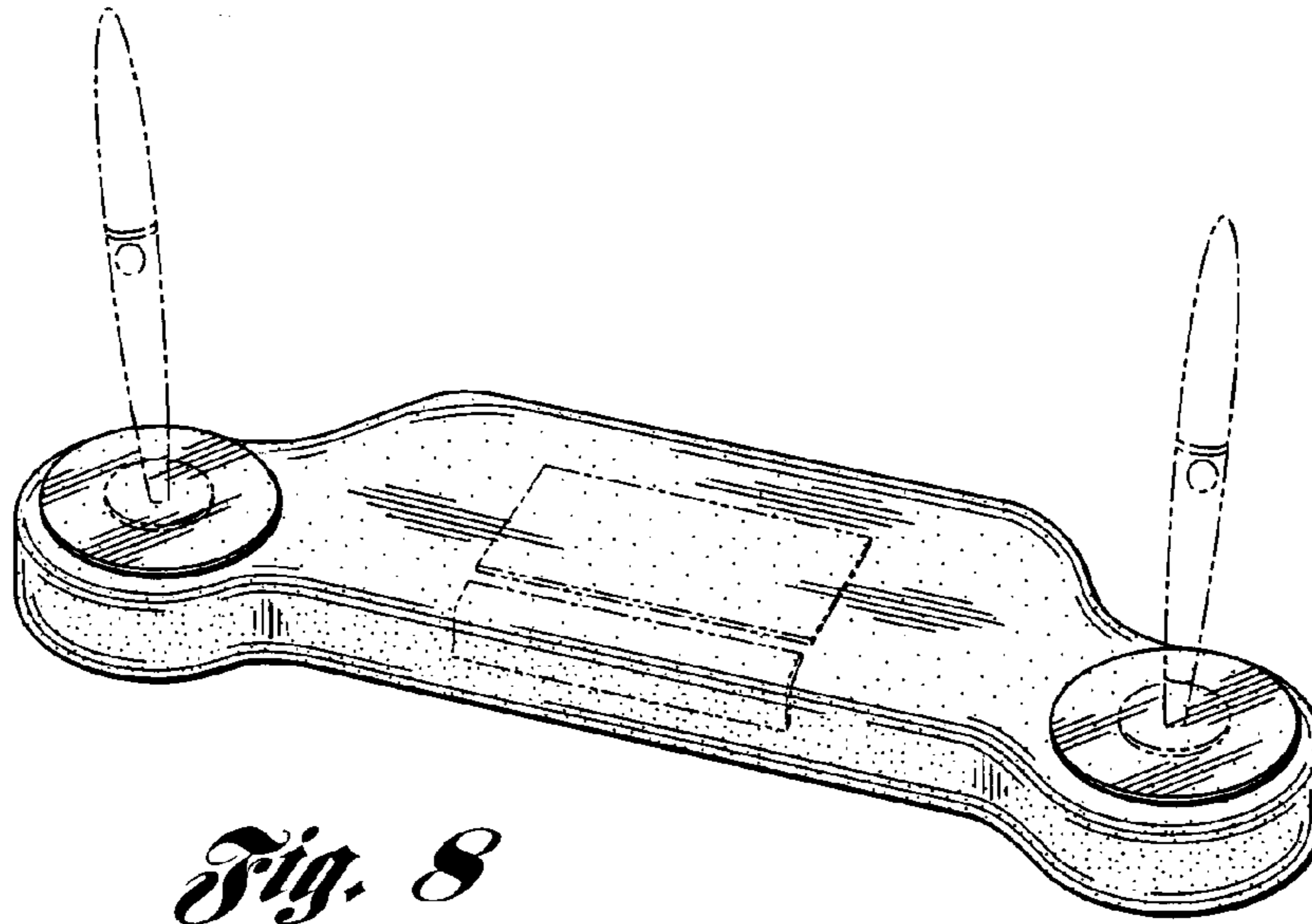
*Fig. 5*



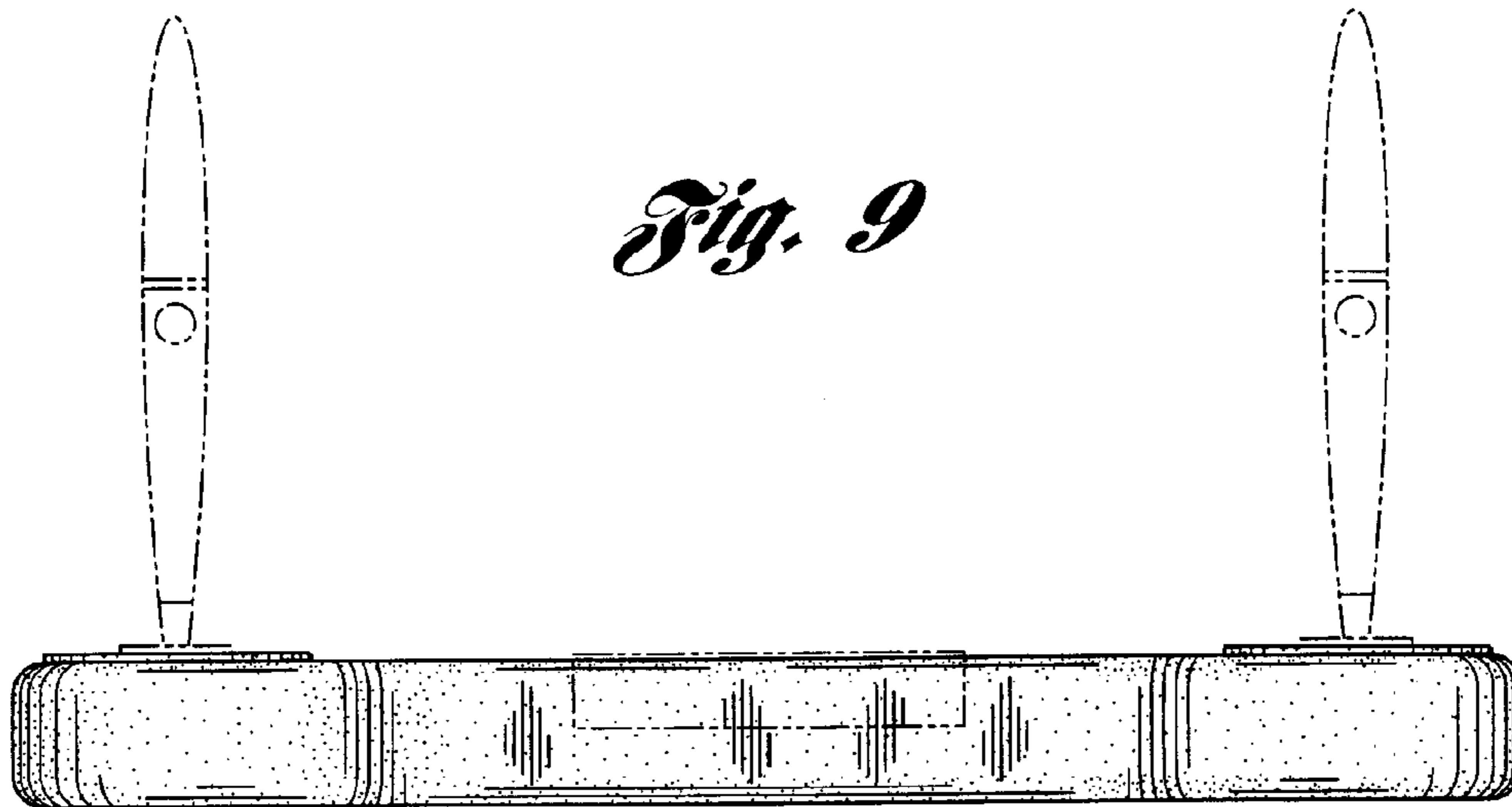
*Fig. 6*



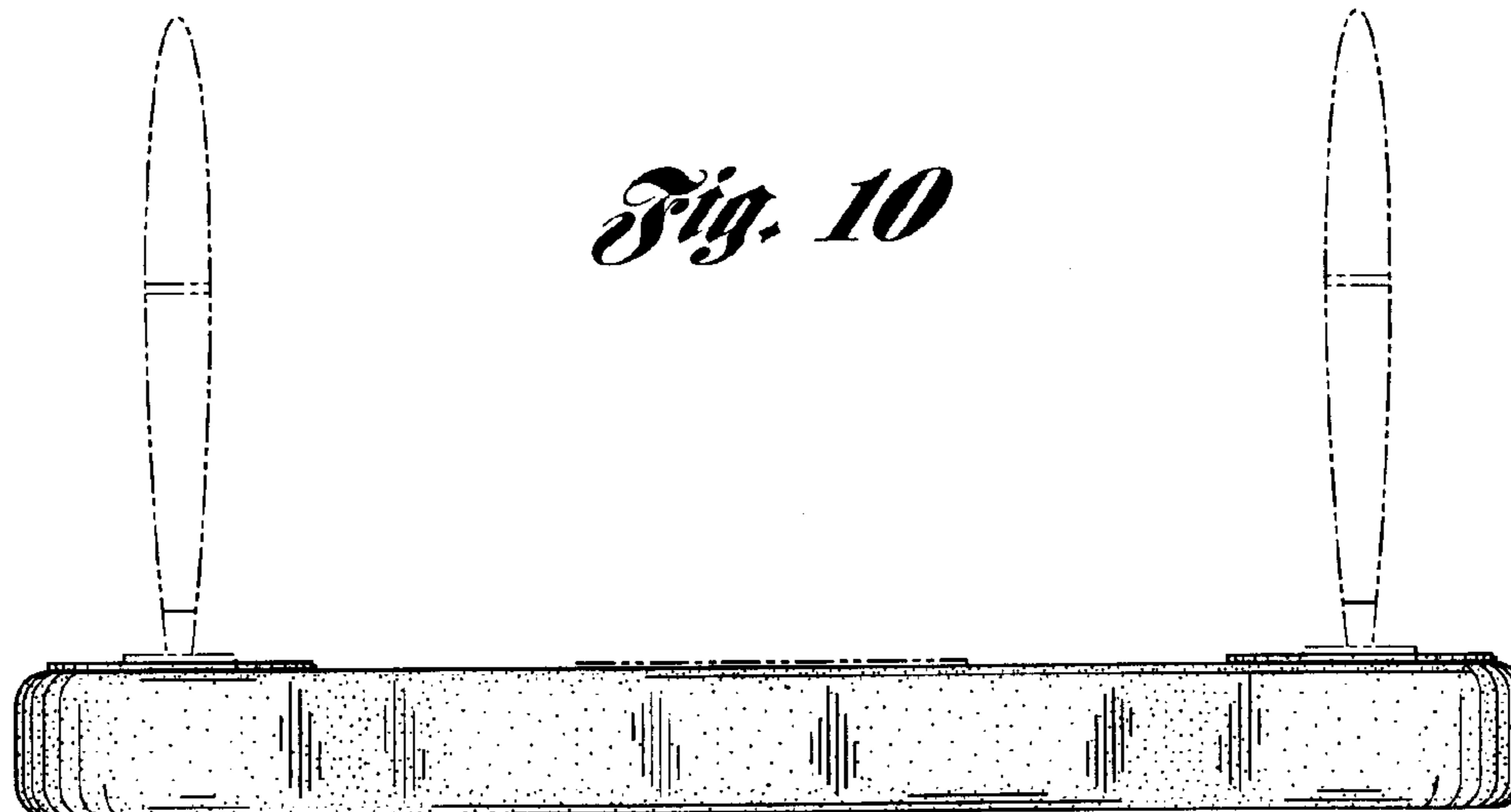
*Fig. 7*



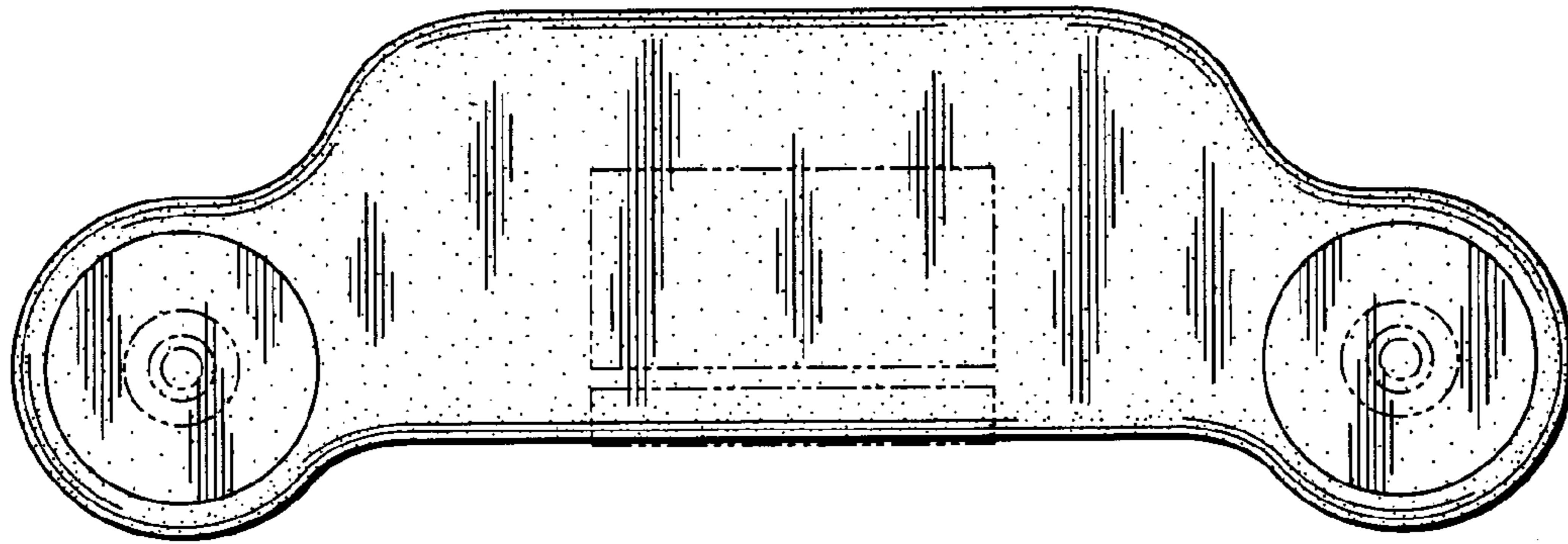
*Fig. 8*



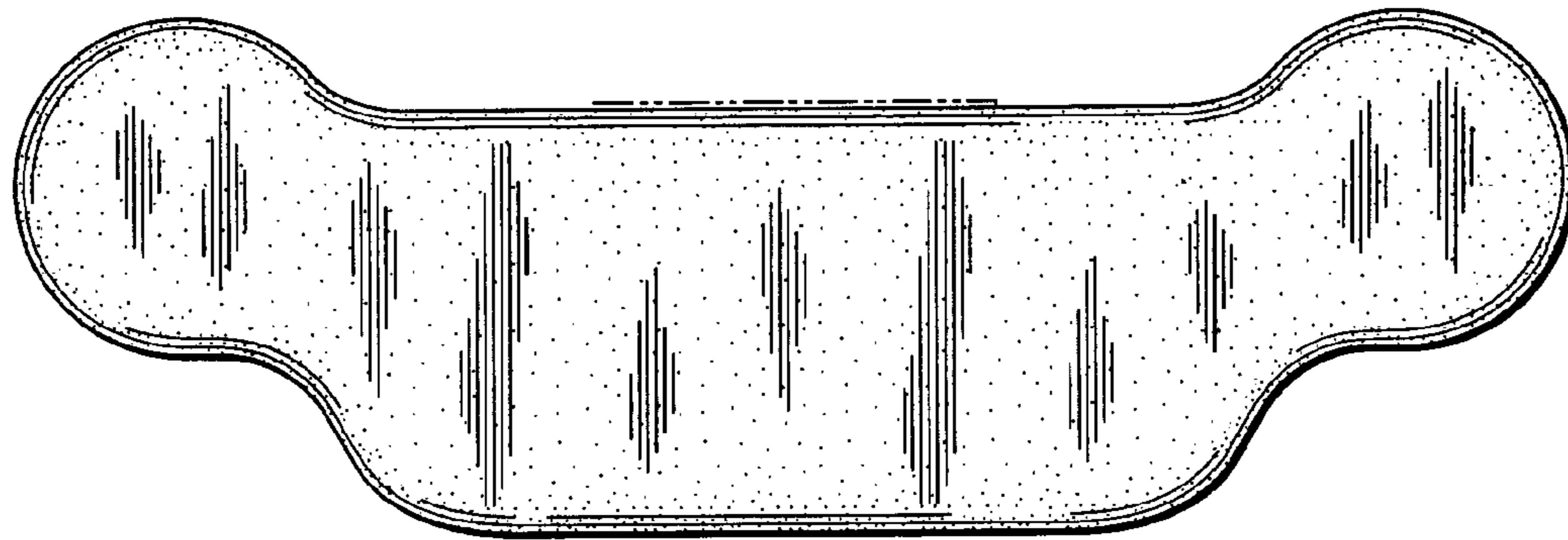
*Fig. 9*



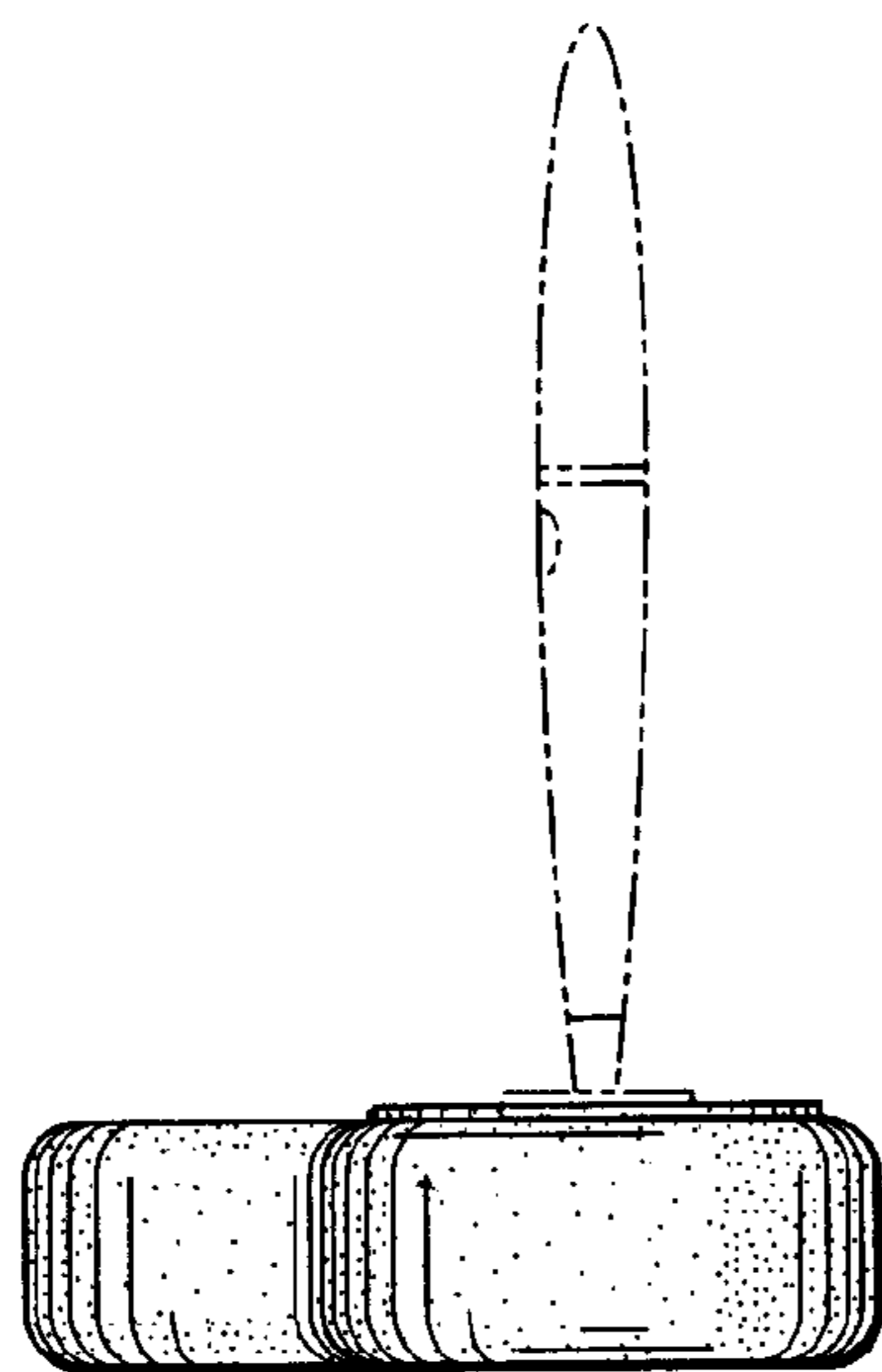
*Fig. 10*



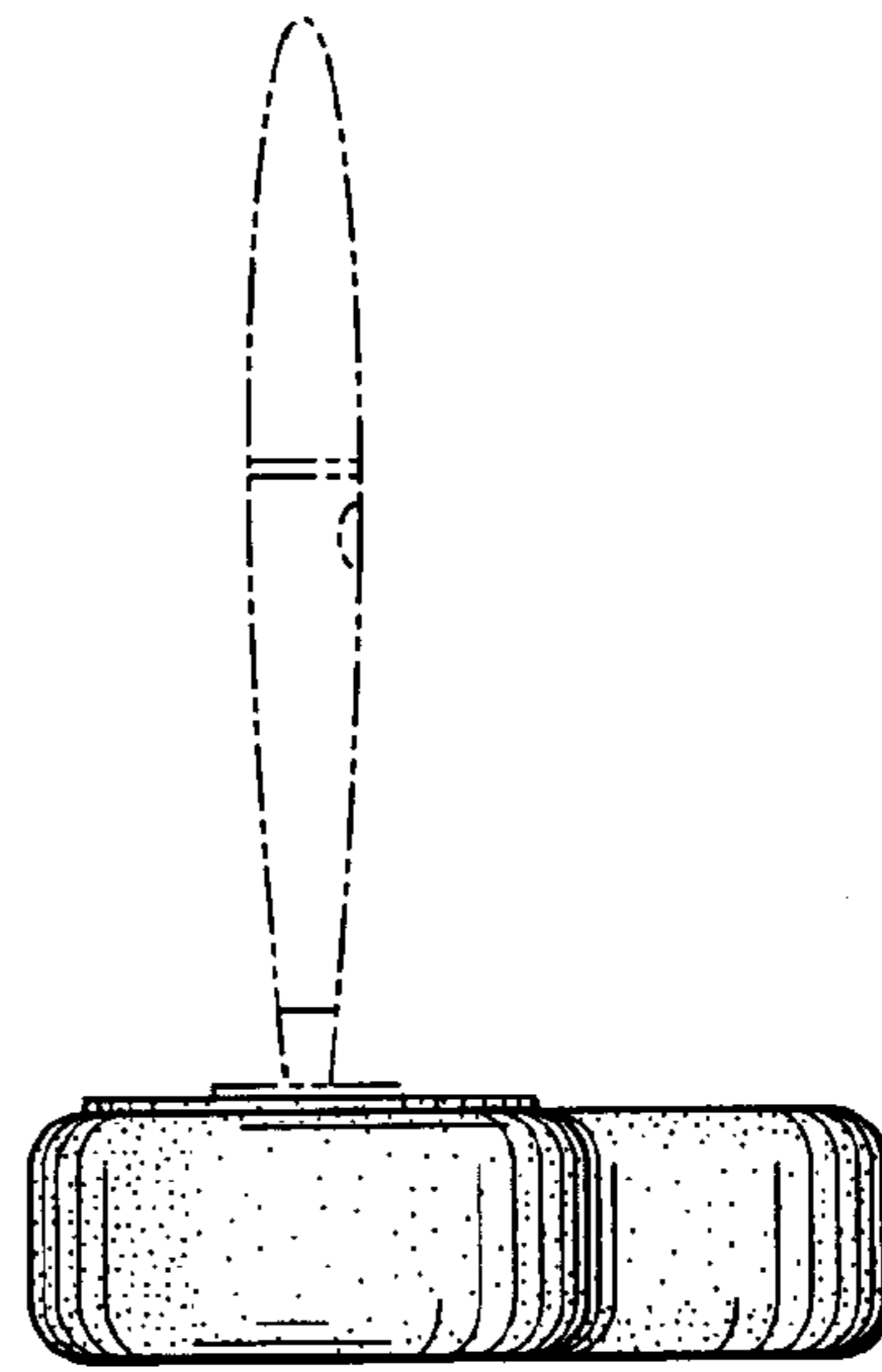
*Fig. 11*



*Fig. 12*



*Fig. 13*



*Fig. 14*