



US00D555726S

(12) **United States Design Patent**
Huff

(10) **Patent No.:** **US D555,726 S**

(45) **Date of Patent:** **** Nov. 20, 2007**

(54) **WRITING IMPLEMENT**

(75) Inventor: **Christian Huff**, Neunkirchen am Sand (DE)

(73) Assignee: **Macma Werbeartikel OHG**, Nuremburg (DE)

(**) Term: **14 Years**

(21) Appl. No.: **29/252,830**

(22) Filed: **Jan. 30, 2006**

(30) **Foreign Application Priority Data**

Jul. 29, 2005 (EP) 379 631

(51) **LOC (8) Cl.** **19-06**

(52) **U.S. Cl.** **D19/43**

(58) **Field of Classification Search** D19/35, D19/36, 41-51, 53-57; D28/7, 88; 24/11 R, 24/11 F, 11 P; 401/52, 99, 100, 104, 105, 401/106, 107, 108, 109, 192, 195, 196
See application file for complete search history.

(56) **References Cited**

U.S. PATENT DOCUMENTS

554,189 A * 2/1896 Kochendarfer 401/214
1,244,974 A * 10/1917 Gerdorn 401/216
1,464,214 A * 8/1923 Ollerenshaw 401/264
2,177,651 A * 10/1939 Harris 401/19

4,308,879 A * 1/1982 Thornbloom 132/317
D321,720 S * 11/1991 Sakurada D19/51
D327,912 S * 7/1992 Tsai D19/51
D377,193 S * 1/1997 Takemura D19/36
5,676,480 A * 10/1997 Tosto 401/10
D408,448 S * 4/1999 Rebien D19/51
D422,748 S * 4/2000 Lang D28/7
D446,242 S * 8/2001 Stukenkemper D19/43
D450,765 S * 11/2001 Rosenbaum D19/36
D472,926 S * 4/2003 Nishitani et al. D19/50
D482,066 S * 4/2003 Hung D19/43
D498,791 S * 11/2003 Morrow D19/56
6,749,355 B2 * 6/2004 Payne et al. 401/195
D530,857 S * 10/2006 Black D28/7

* cited by examiner

Primary Examiner—Elizabeth A. Albert

(74) *Attorney, Agent, or Firm*—Browdy and Neimark, PLLC

(57) **CLAIM**

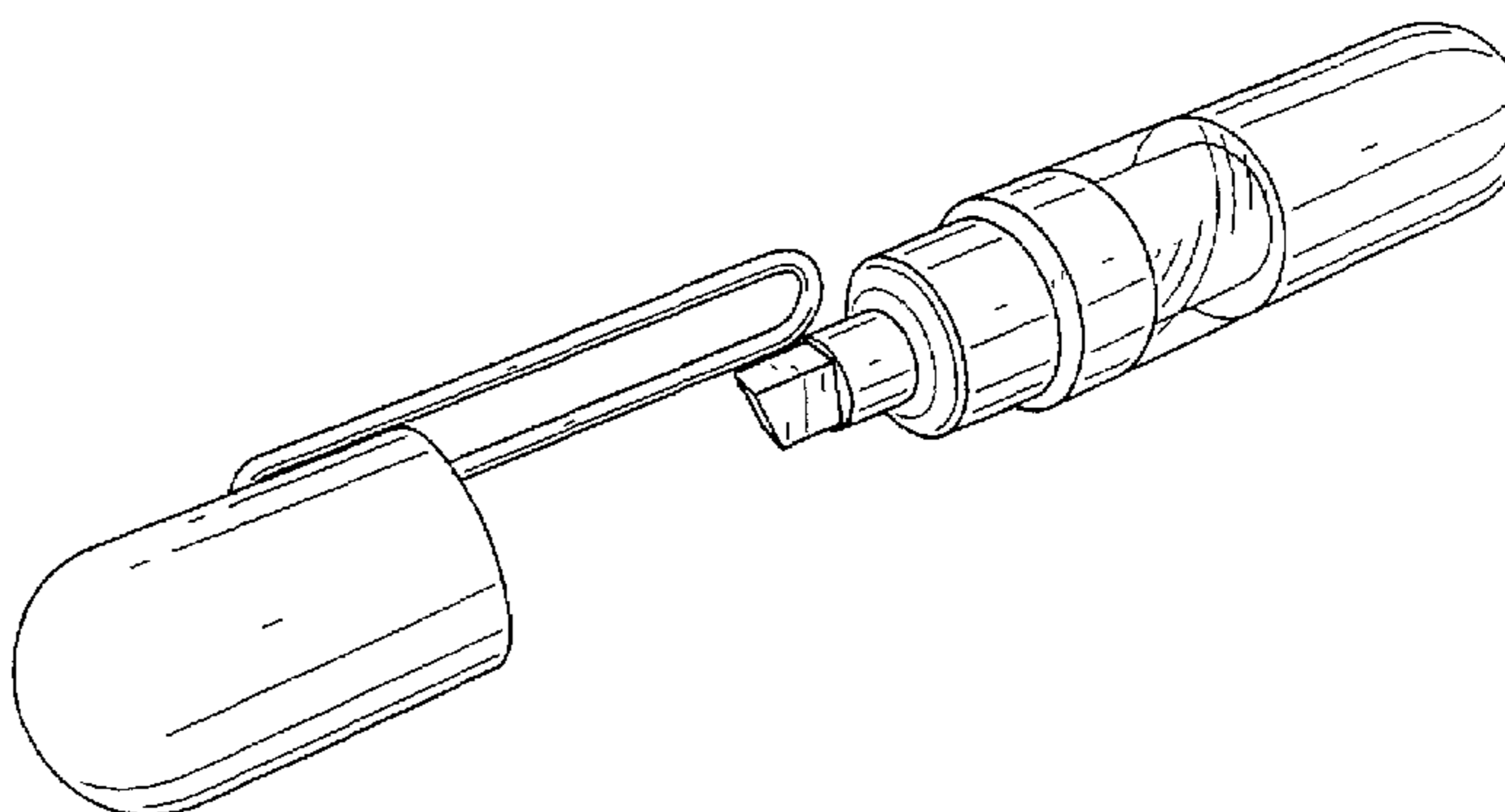
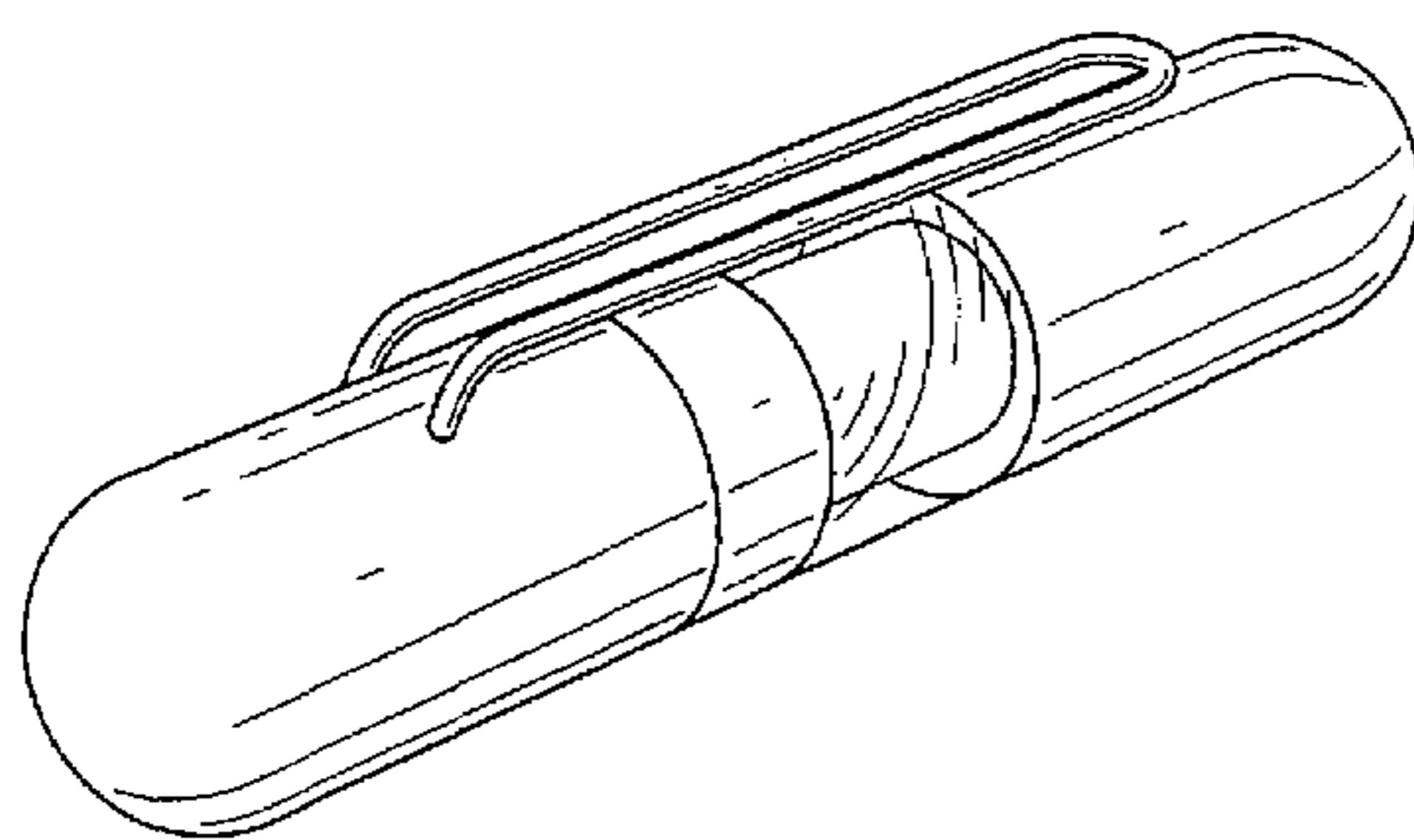
The ornamental design for a writing implement, as shown and described.

DESCRIPTION

FIG. 1 is a perspective view (with cap put on) of the writing implement, showing my new design; and,

FIG. 2 is a perspective view (with cap removed) thereof.

1 Claim, 1 Drawing Sheet



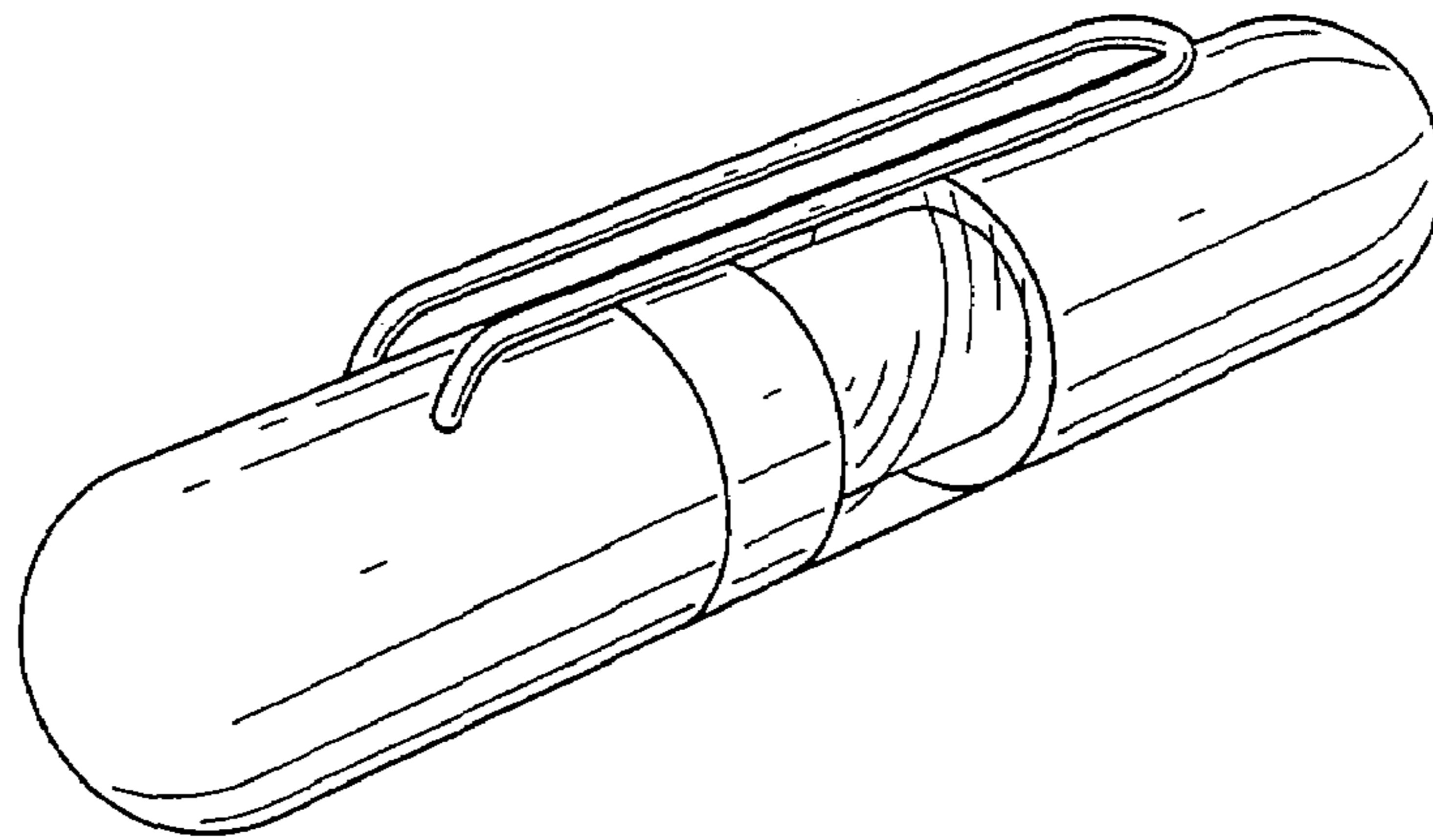


FIG. 1

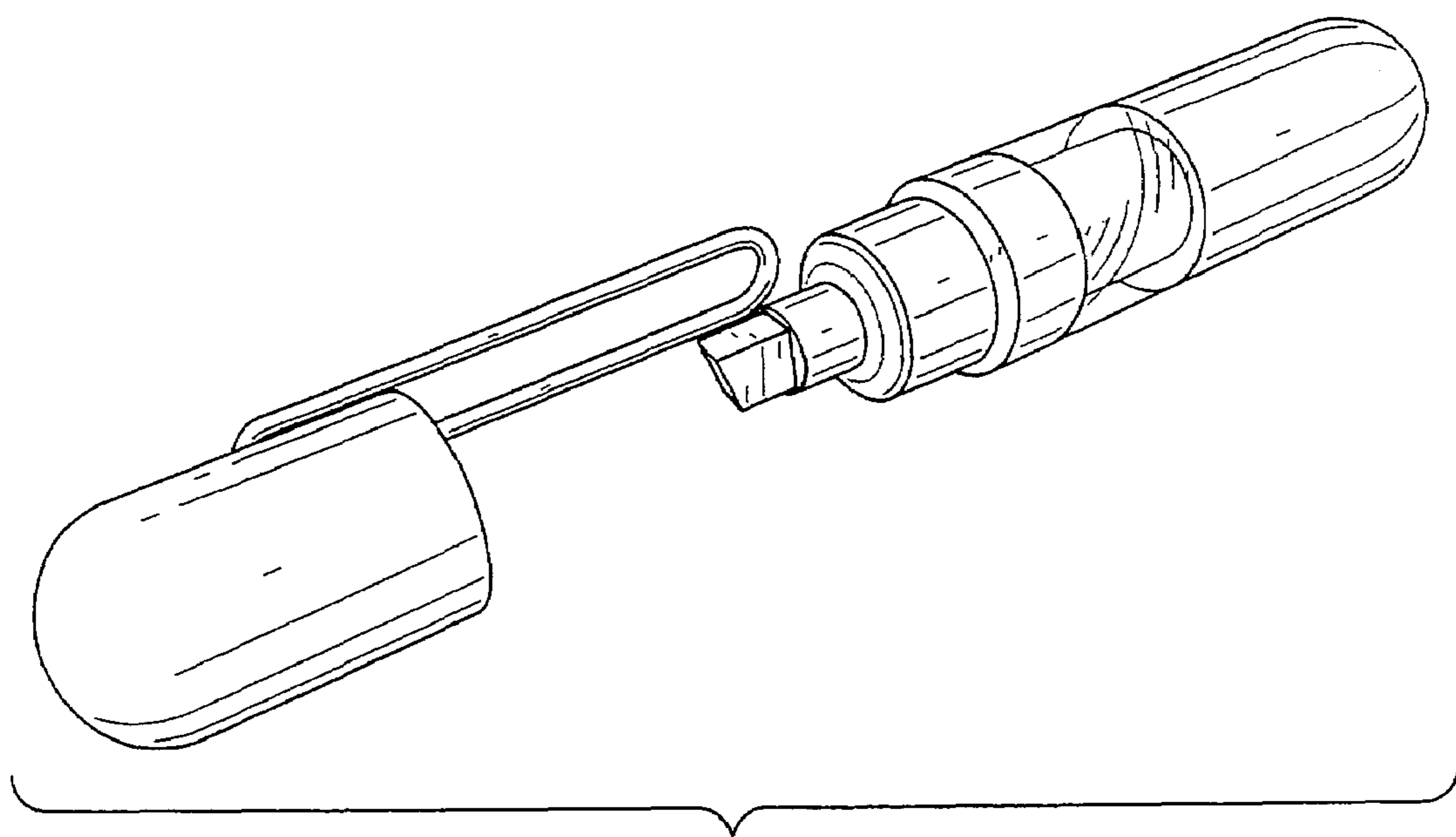


FIG. 2