



US00D555723S

(12) **United States Design Patent**
Farr et al.

(10) **Patent No.:** **US D555,723 S**

(45) **Date of Patent:** **** Nov. 20, 2007**

(54) **ROLL OF RFID LABELS**

(75) Inventors: **Adrian N. Farr**, Dunmow (GB); **Ian J. Forster**, Chelmsford (GB)

(73) Assignee: **Avery Dennison Corporation**, Pasadena, CA (US)

(**) Term: **14 Years**

(21) Appl. No.: **29/230,202**

(22) Filed: **May 18, 2005**

(51) **LOC (8) Cl.** **19-08**

(52) **U.S. Cl.** **D19/10; D14/230; D19/12; 340/572.1**

(58) **Field of Classification Search** **D19/1-34.5; 343/700; 221/33, 45, 70; 428/42**
See application file for complete search history.

(56) **References Cited**

U.S. PATENT DOCUMENTS

4,393,107	A *	7/1983	Jenkins	428/42.3
4,642,256	A *	2/1987	Sato	428/42.3
5,183,696	A *	2/1993	Sanderson	428/194
5,486,389	A *	1/1996	Gerber	428/41.9
5,528,222	A *	6/1996	Moskowitz et al.	340/572.7
5,663,227	A *	9/1997	Birkholz et al.	524/262
6,074,747	A *	6/2000	Scholz et al.	428/352
6,644,498	B1 *	11/2003	Lemberger et al.	221/33
7,057,562	B2 *	6/2006	Forster et al.	343/700 MS

2001/0050638	A1 *	12/2001	Ishitobi et al.	343/700 MS
2003/0071051	A1 *	4/2003	Martinsen	221/70
2004/0056823	A1 *	3/2004	Zuk et al.	343/895
2004/0201522	A1 *	10/2004	Forster	343/700 MS
2005/0007296	A1 *	1/2005	Endo et al.	343/895
2005/0024290	A1 *	2/2005	Aisenbrey	343/873
2006/0043199	A1 *	3/2006	Baba et al.	235/492

* cited by examiner

Primary Examiner—Louis S. Zarfaz

Assistant Examiner—Susan E Krakower

(74) *Attorney, Agent, or Firm*—Tarolli, Sundheim, Covell & Tummino LLP

(57) **CLAIM**

The ornamental design for a roll of RFID labels, as shown and described.

DESCRIPTION

FIG. 1 is a perspective view of a roll of RFID labels of the present invention;

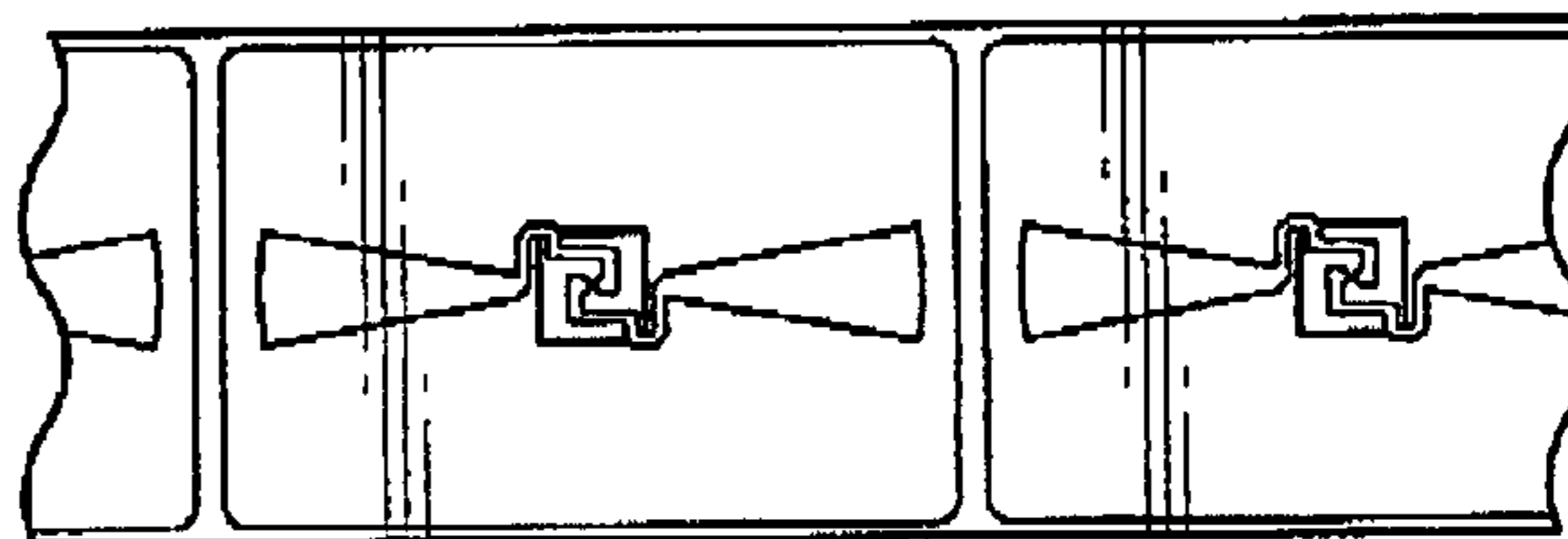
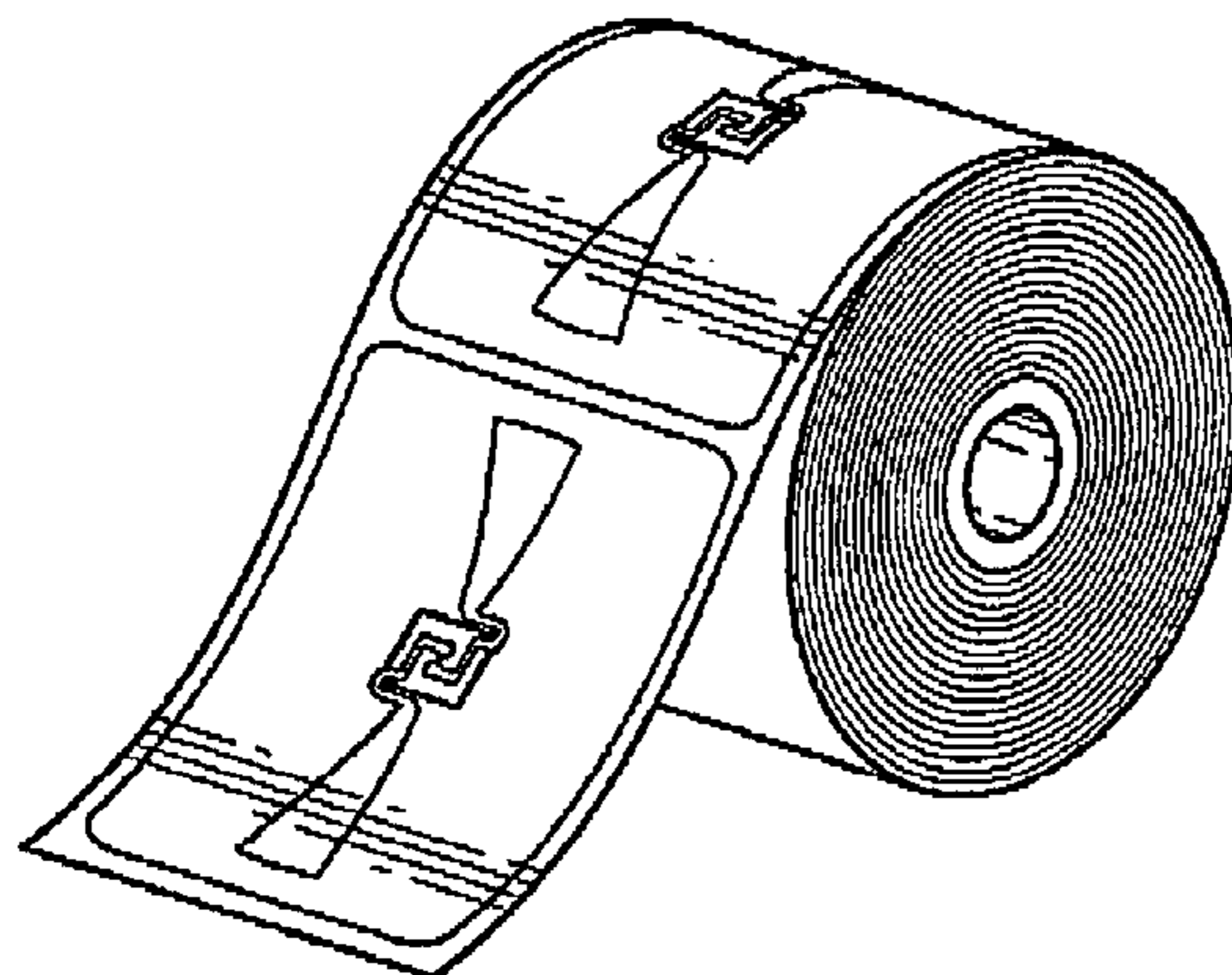
FIG. 2 is a fragmentary front plan view thereof;

FIG. 3 is a fragmentary back plan view thereof; and,

FIG. 4 is a side elevational view thereof.

The ornamental design which is claimed is shown in solid lines in the drawings. Any broken lines in the drawings are for illustrative purposes only and form no part of the claimed design.

1 Claim, 1 Drawing Sheet



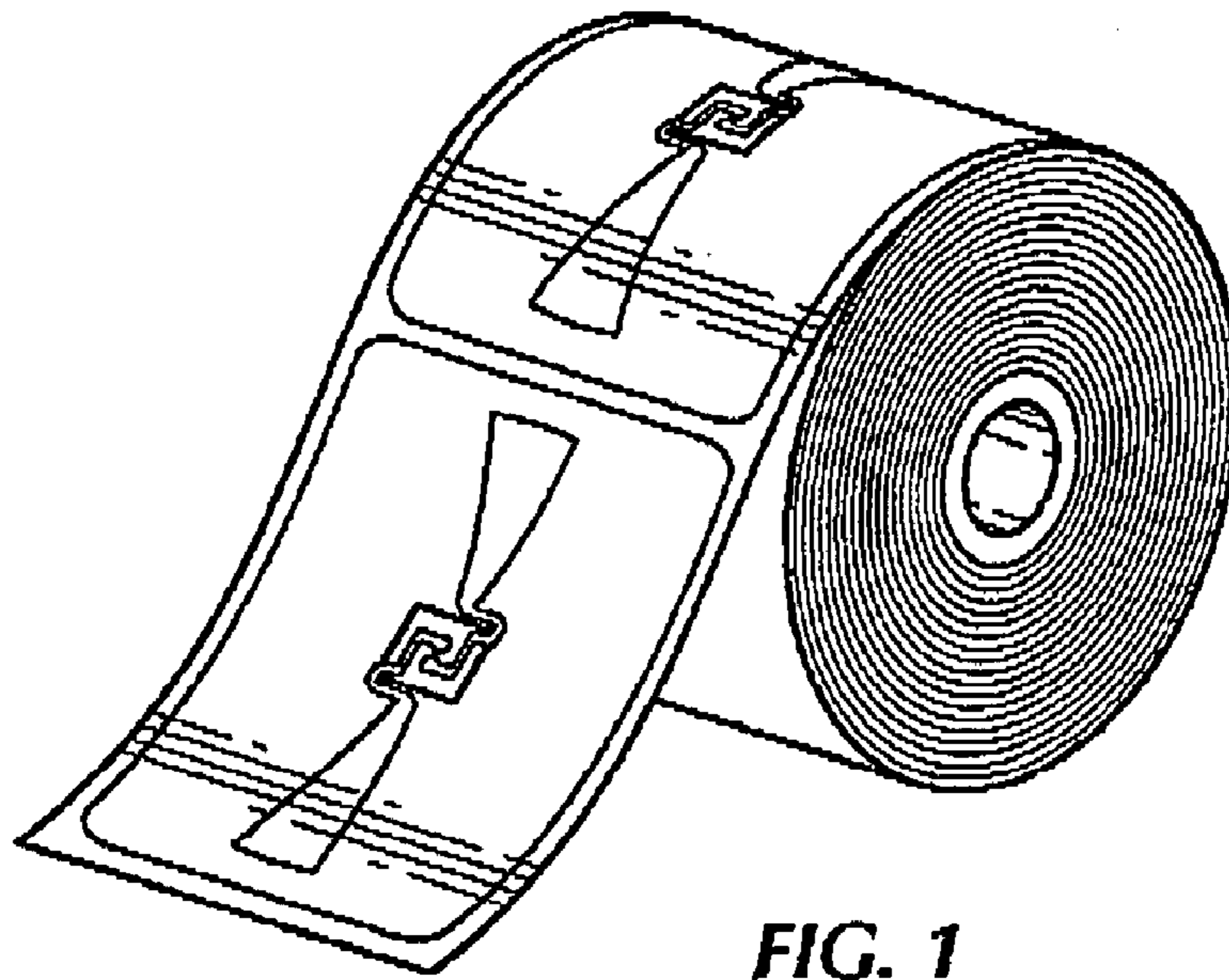


FIG. 1

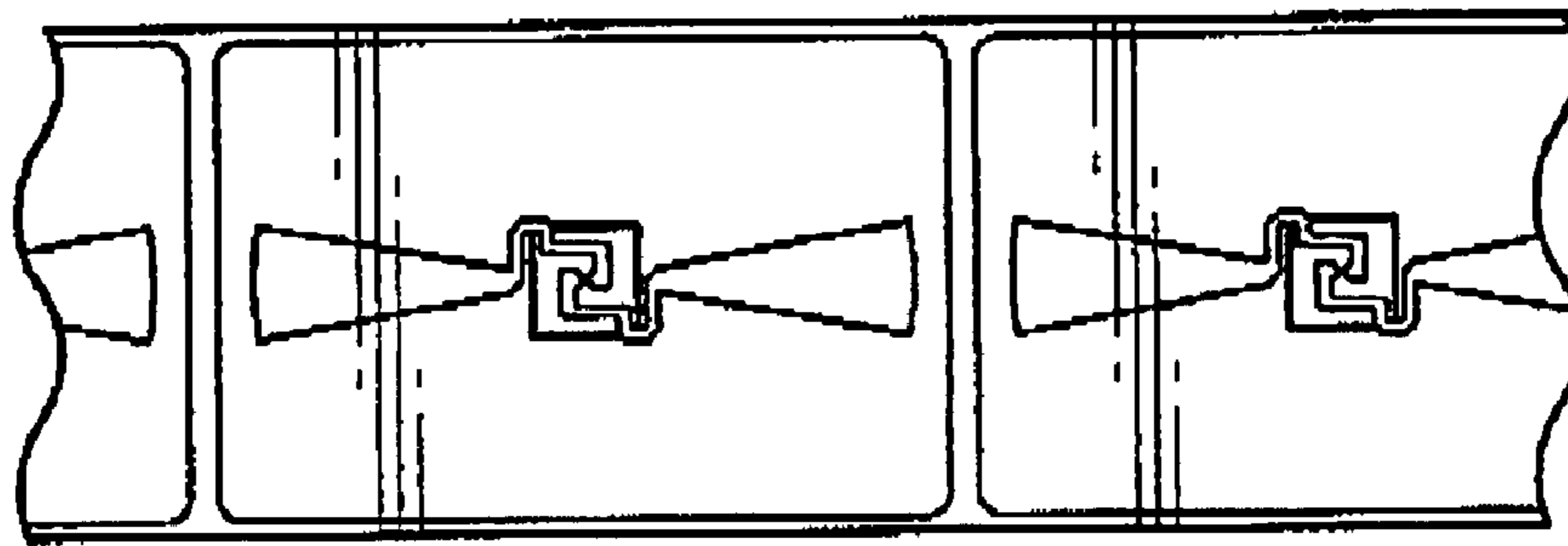


FIG. 2

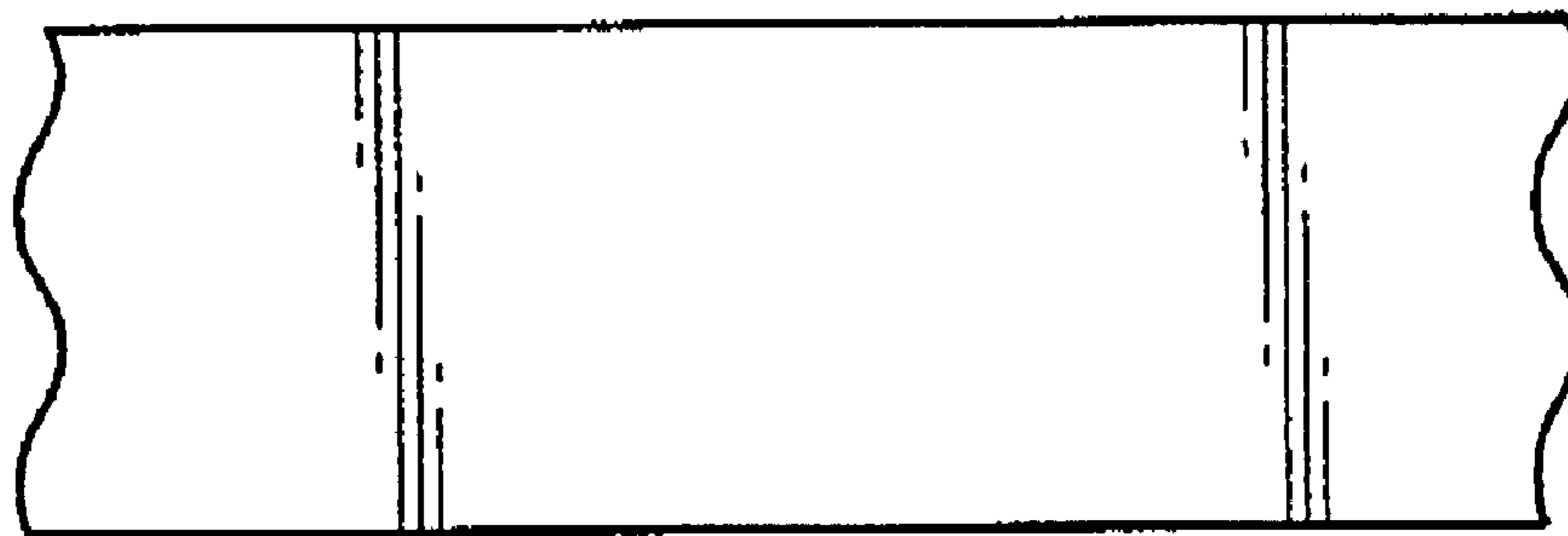


FIG. 3

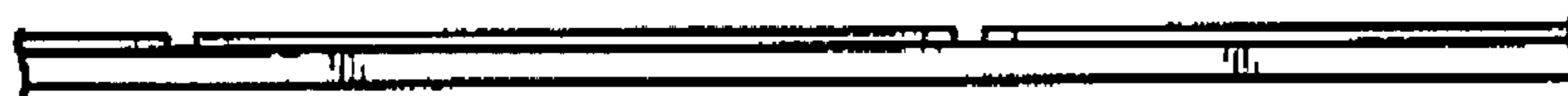


FIG. 4