



US00D555721S

(12) **United States Design Patent** (10) **Patent No.:** **US D555,721 S**
Phillips et al. (45) **Date of Patent:** **** Nov. 20, 2007**

(54) **FOLDING AND INSERTING MACHINE**

2003/0150194 A1* 8/2003 Ponti 53/569

(75) Inventors: **Matthew L. Phillips**, Litchfield, CT (US); **David H. Brooks, Jr.**, Wilton, CT (US)

* cited by examiner

Primary Examiner—Antoine D. Davis

Assistant Examiner—Patricia Palasik

(73) Assignee: **Pitney Bowes Inc.**, Stamford, CT (US)

(74) *Attorney, Agent, or Firm*—Steven J. Shapiro; Angelo N. Chaclas

(**) Term: **14 Years**

(57) **CLAIM**

(21) Appl. No.: **29/245,558**

The ornamental design for a folding and inserting machine, as shown and described.

(22) Filed: **Dec. 23, 2005**

(51) **LOC (8) Cl.** **18-02**

(52) **U.S. Cl.** **D18/53; D15/145**

(58) **Field of Classification Search** D18/36–39, D18/46, 47, 49, 50, 53–55, 99; D15/145; 53/117, 284.3; 156/442.1; 273/37, 45, 46; 493/418–420

See application file for complete search history.

DESCRIPTION

FIG. 1 is a top, front and right side perspective view of a first embodiment of a folding and inserting machine according to the present invention;

FIG. 2 is a front view thereof;

FIG. 3 is a top plan view thereof;

FIG. 4 is a left side view thereof;

FIG. 5 is a right view thereof;

FIG. 6 is a rear view thereof; and

FIG. 7 is a top, front and right side perspective view of a second embodiment of the folding and inserting machine according to the present invention;

FIG. 8 is a front view of the second embodiment;

FIG. 9 is a top plan view of the second embodiment;

FIG. 10 is a left side view of the second embodiment;

FIG. 11 is a right view of the second embodiment; and,

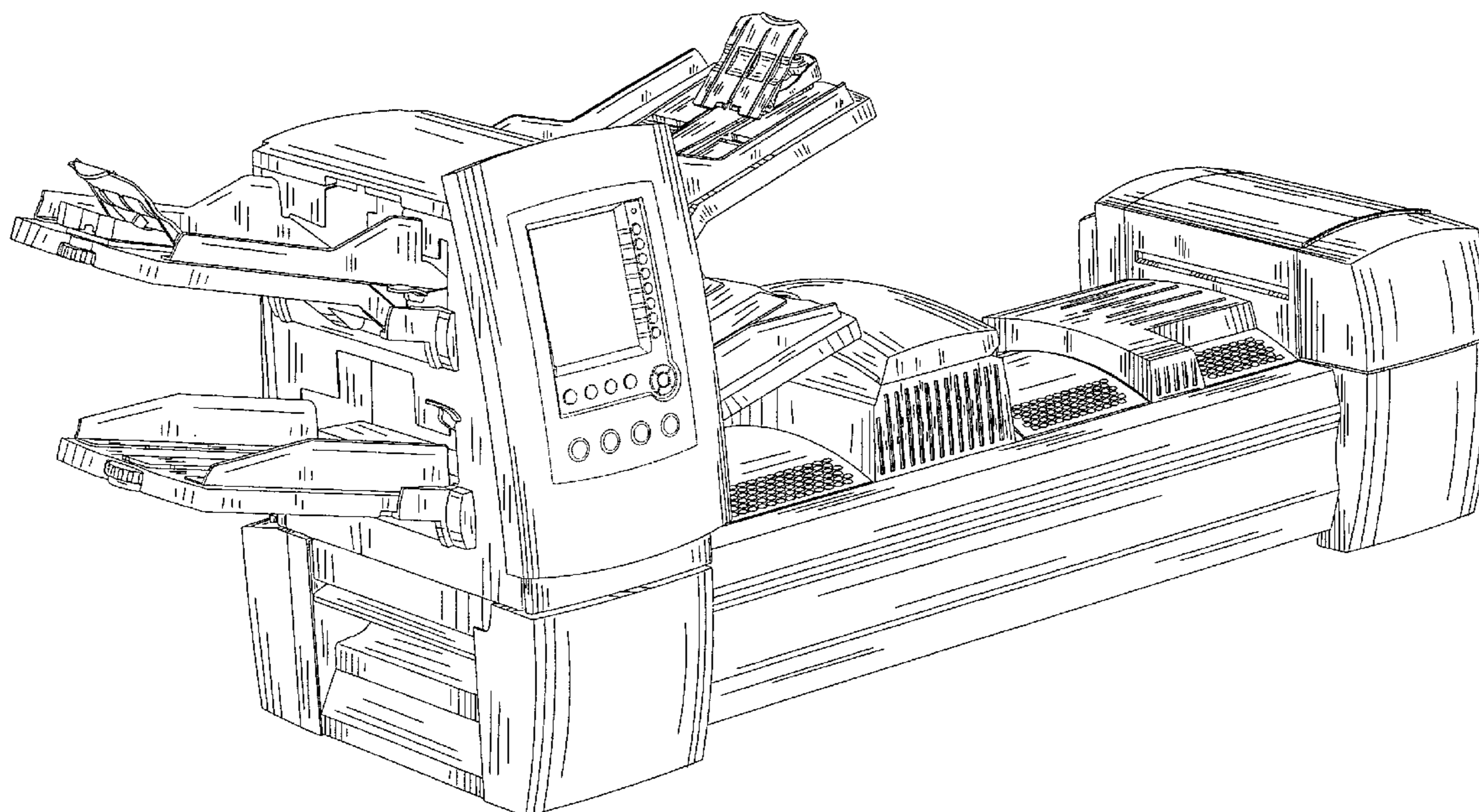
FIG. 12 is a rear view of the second embodiment.

(56) **References Cited**

U.S. PATENT DOCUMENTS

D311,928 S *	11/1990	Moll	D18/46
D349,505 S *	8/1994	Hill et al.	D15/145
D357,499 S *	4/1995	Karafuji et al.	D18/53
D405,821 S *	2/1999	Ishikawa	D18/53
D428,914 S *	8/2000	Kabumoto et al.	D18/39
D433,041 S *	10/2000	Hill et al.	D15/145
6,251,055 B1 *	6/2001	Evers et al.	493/419
D450,343 S *	11/2001	Matsuo et al.	D18/39
6,846,278 B1 *	1/2005	Hill et al.	493/419
D508,259 S *	8/2005	Rieck et al.	D18/39
D526,345 S *	8/2006	Motoyoshi et al.	D18/39
D532,449 S *	11/2006	Tjin Wong Joe et al.	D18/55

1 Claim, 10 Drawing Sheets



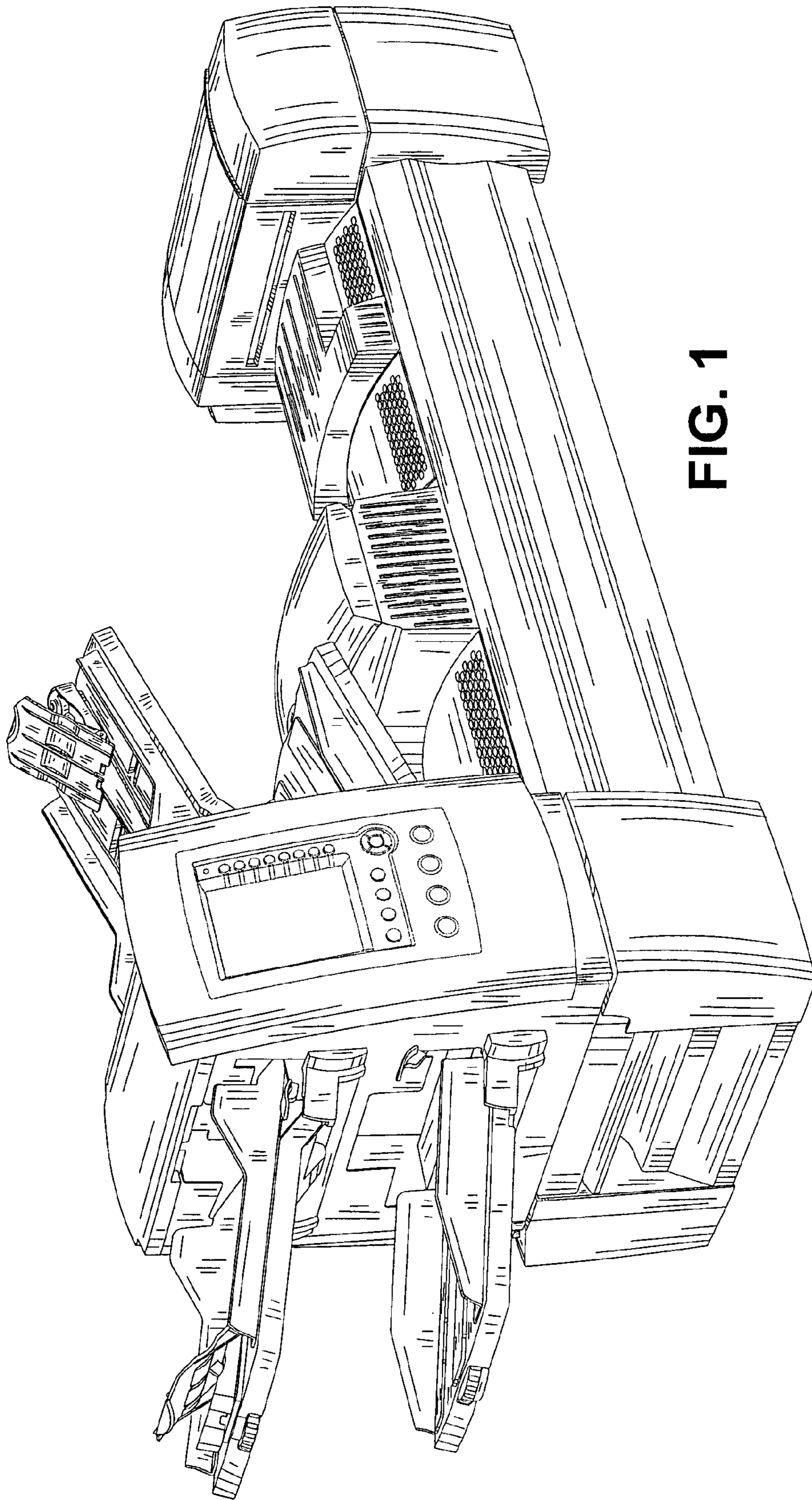


FIG. 1

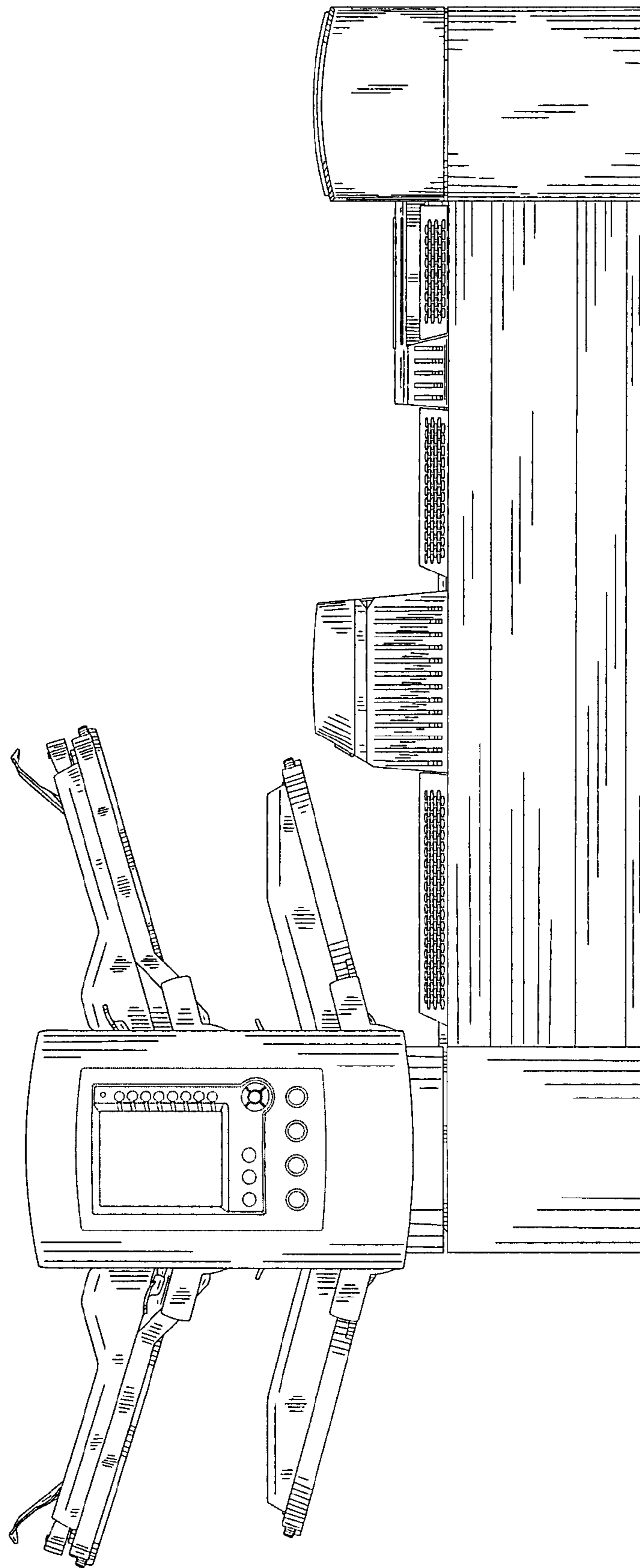


FIG. 2

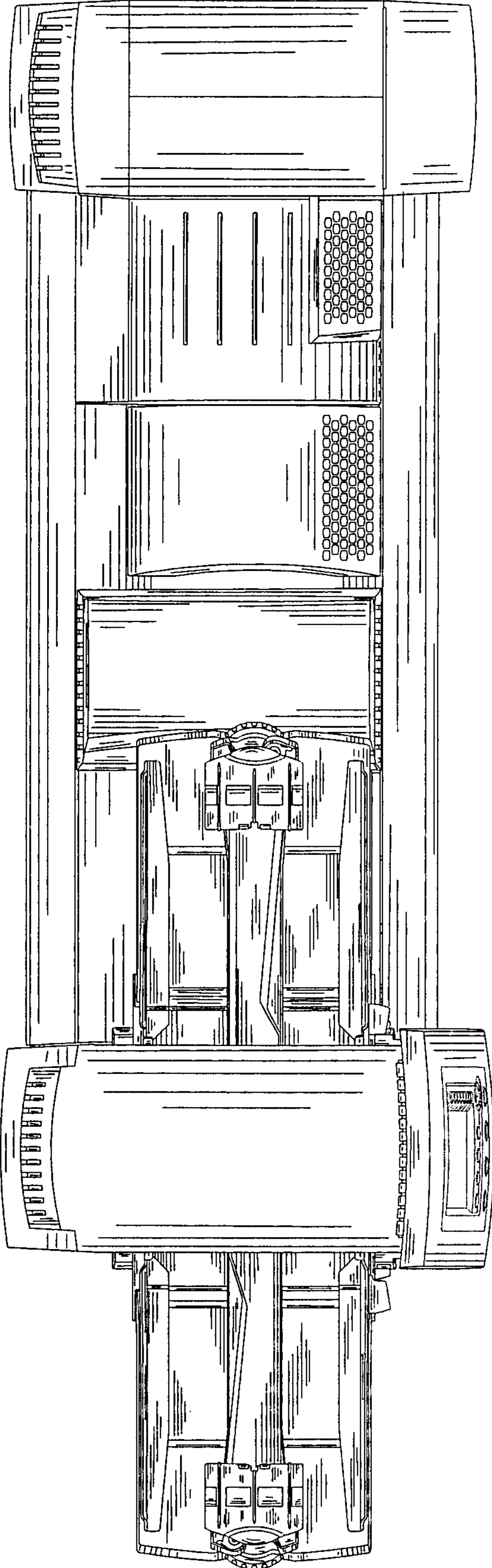


FIG. 3

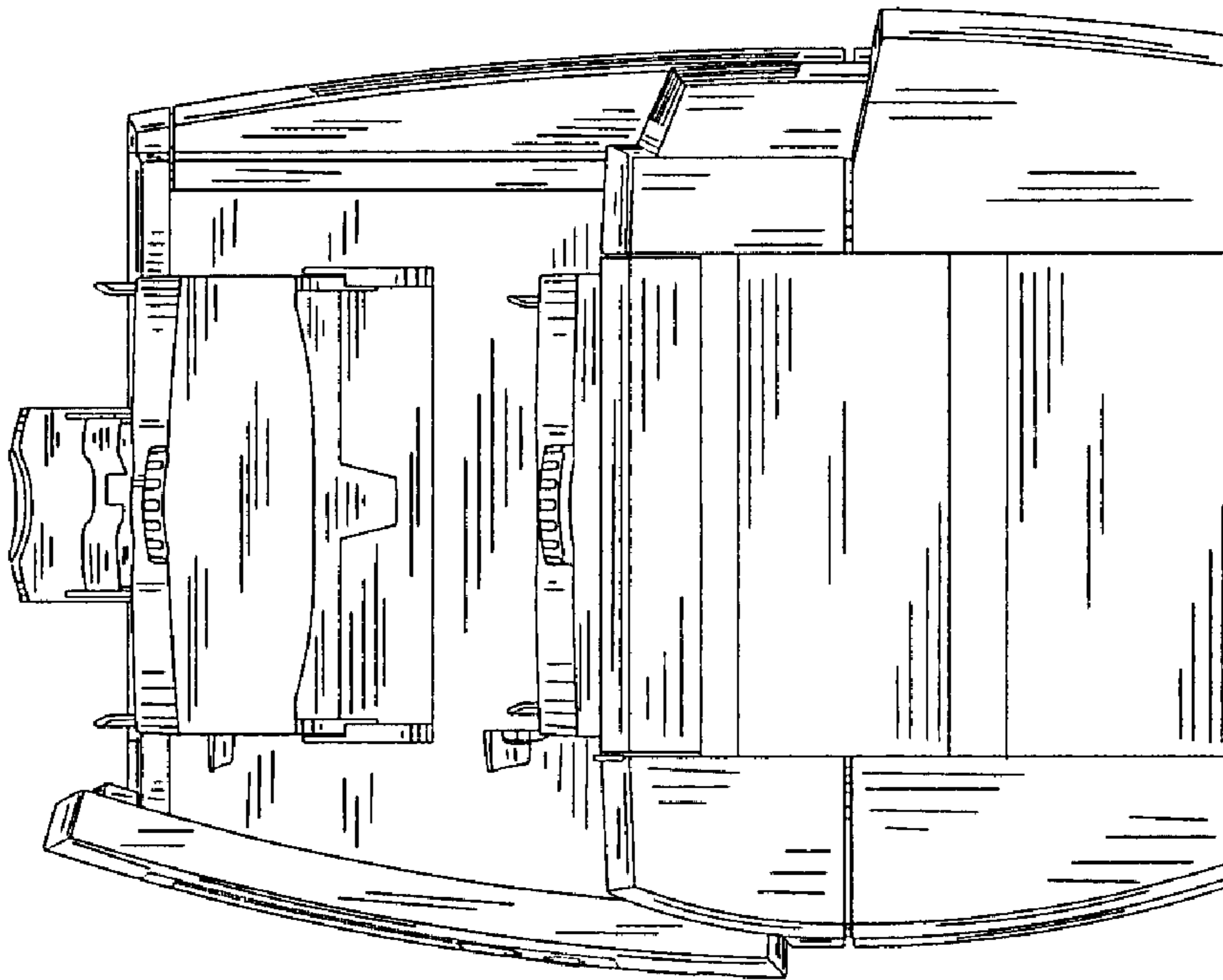


FIG. 5

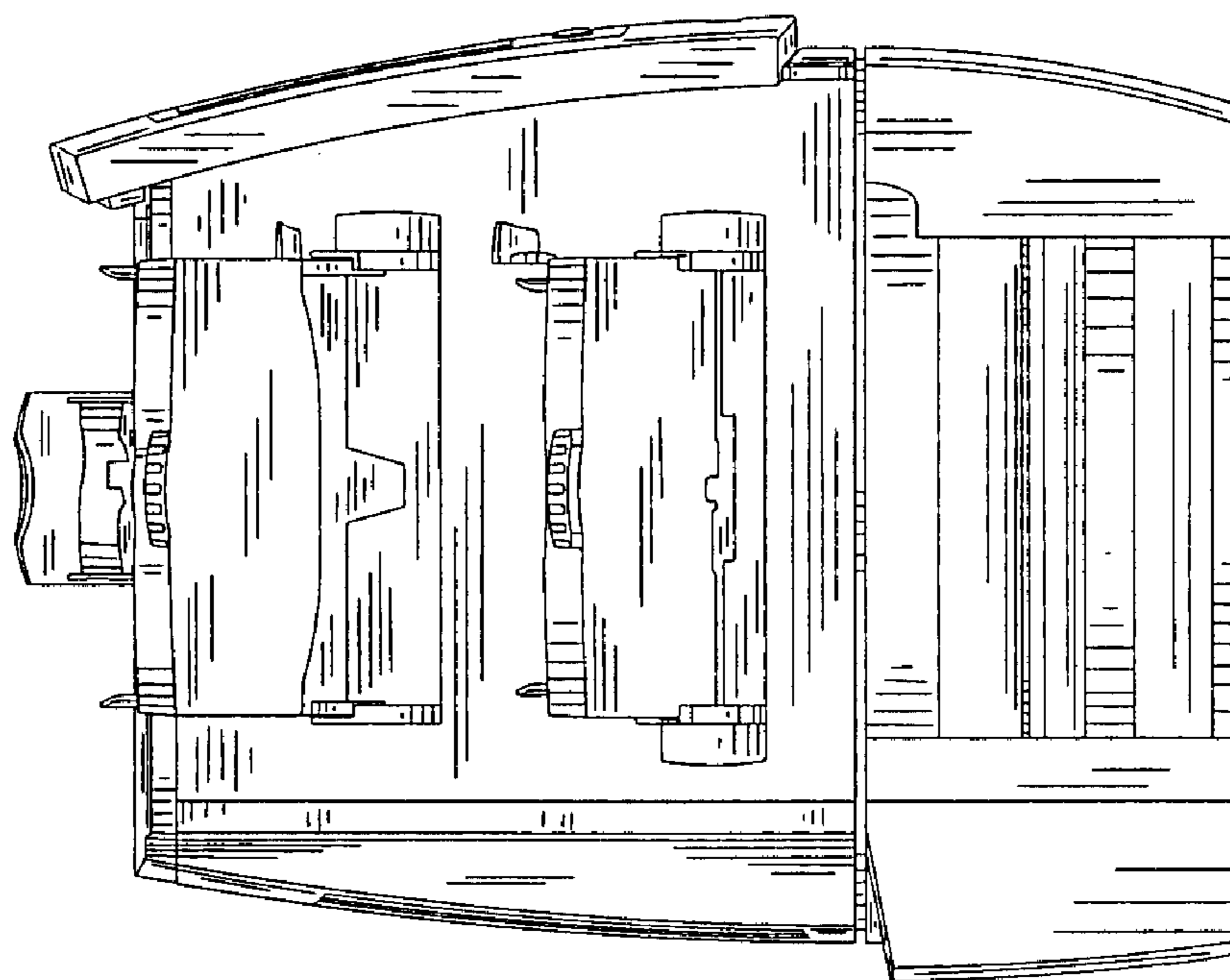


FIG. 4

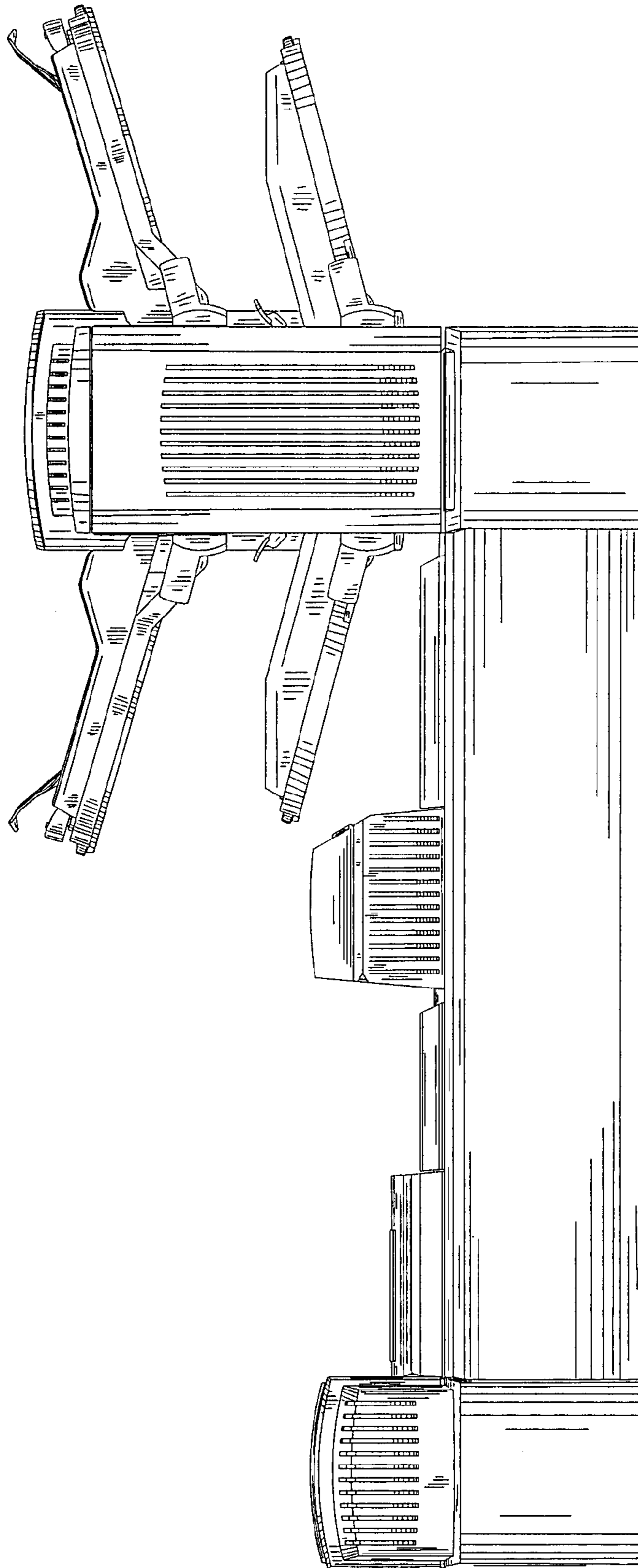


FIG. 6

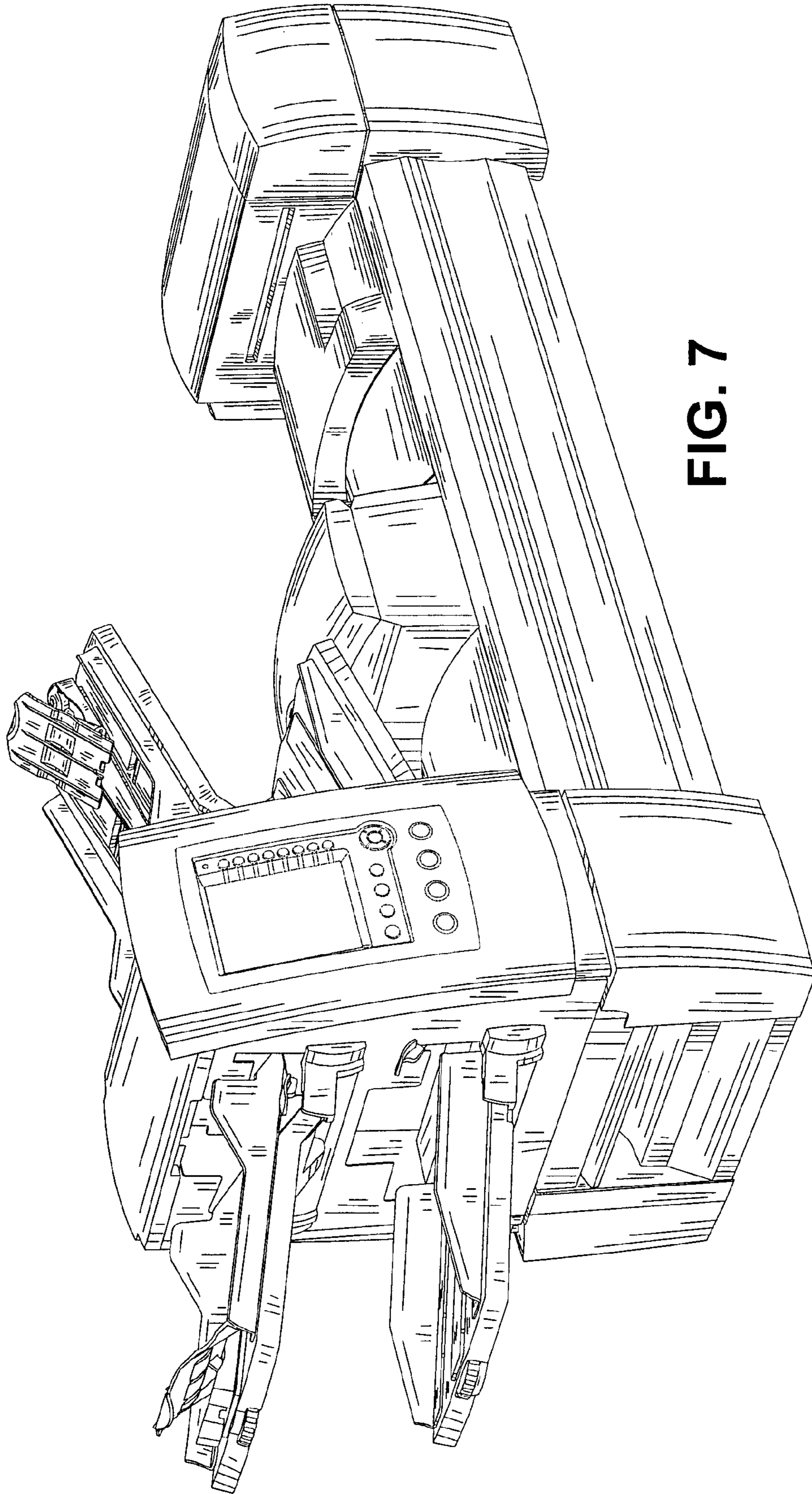


FIG. 7

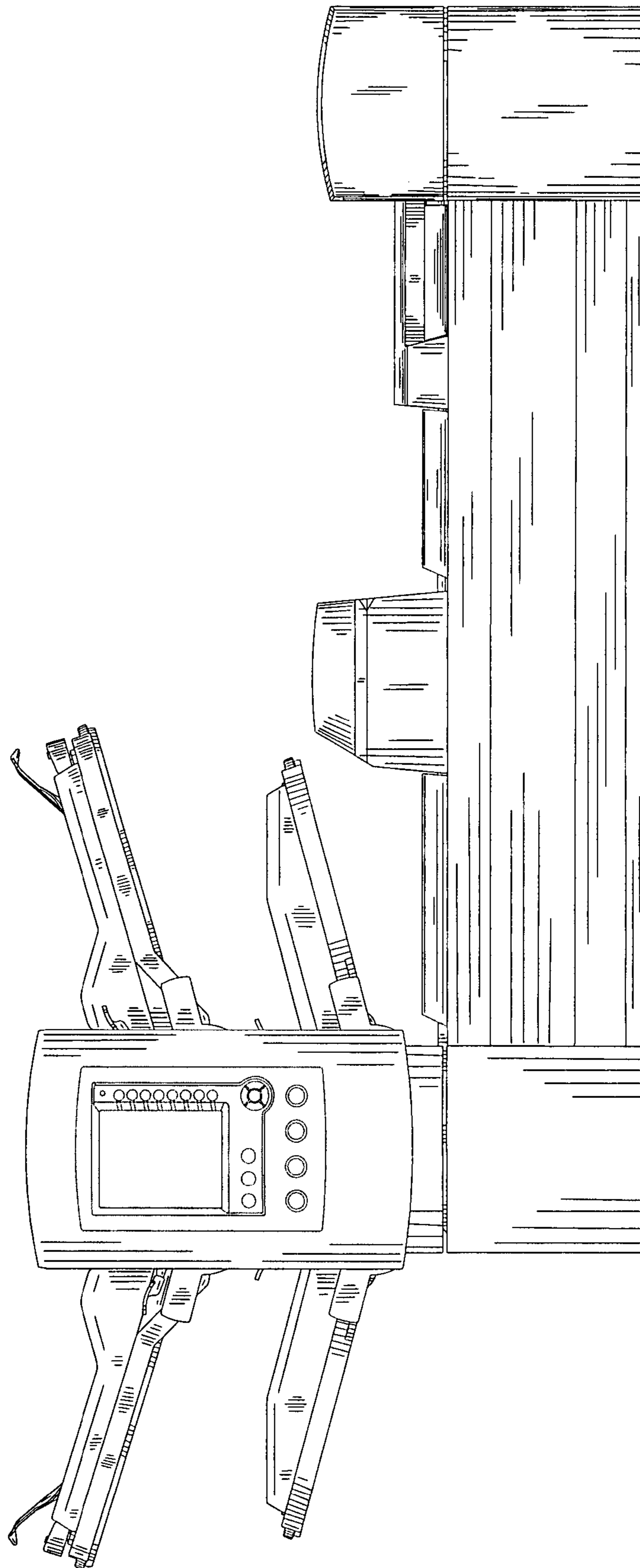


FIG. 8

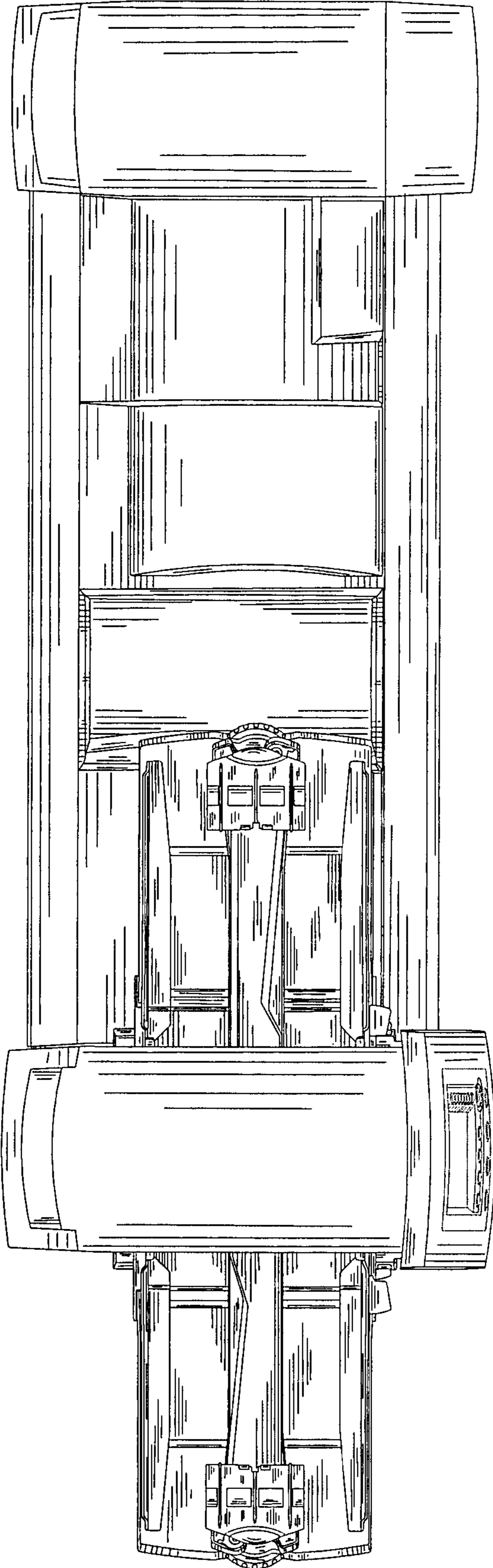


FIG. 9

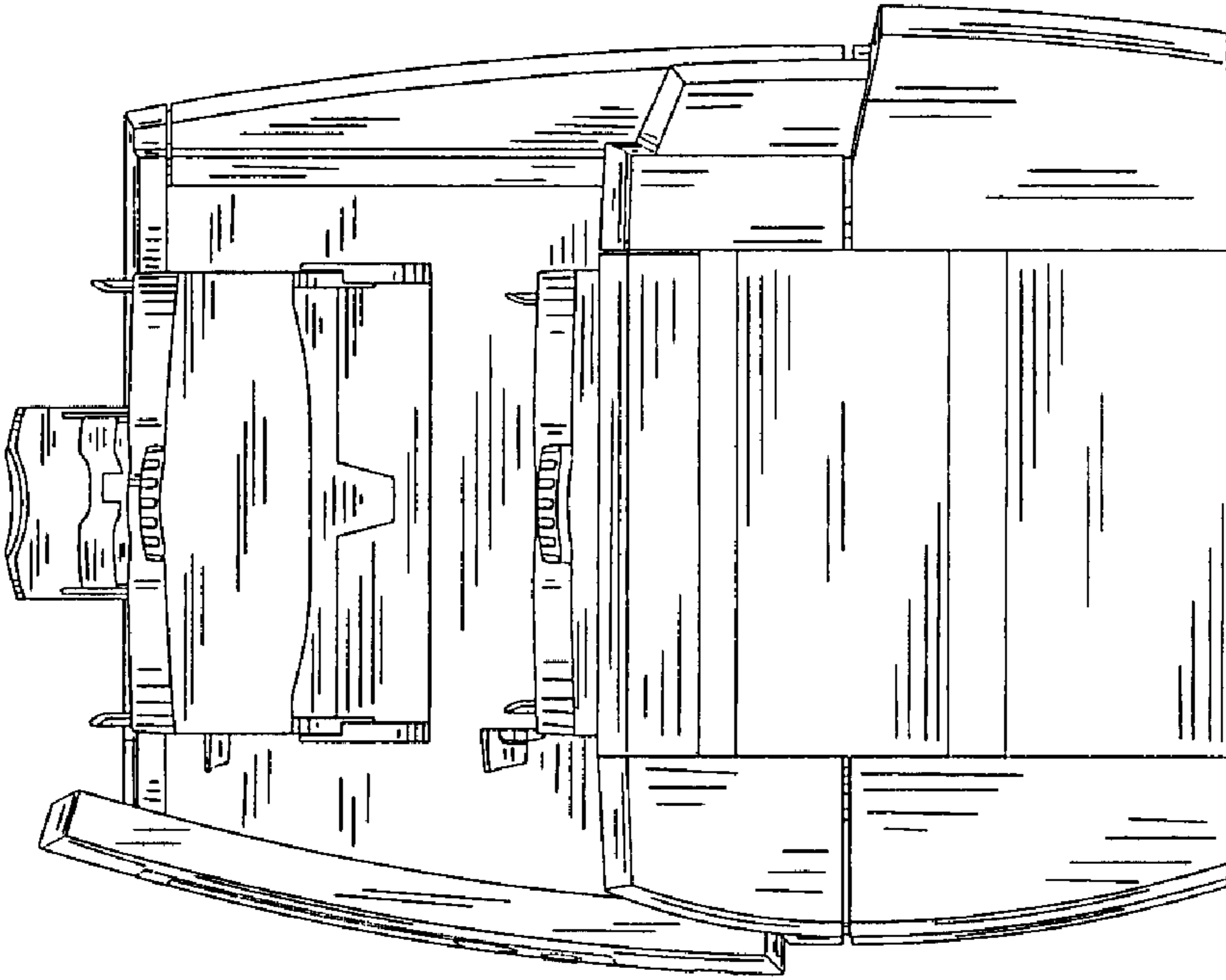


FIG. 10

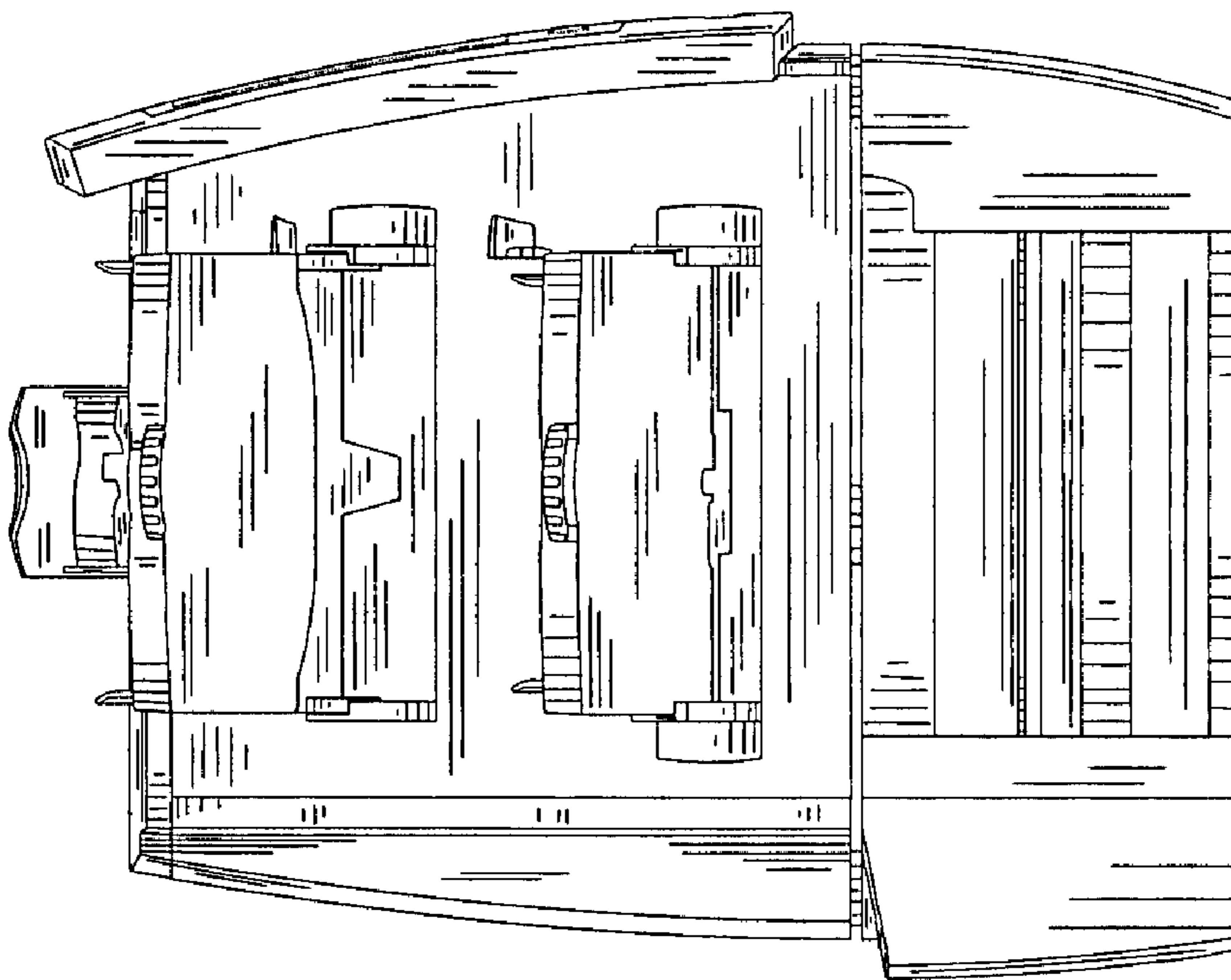


FIG. 11

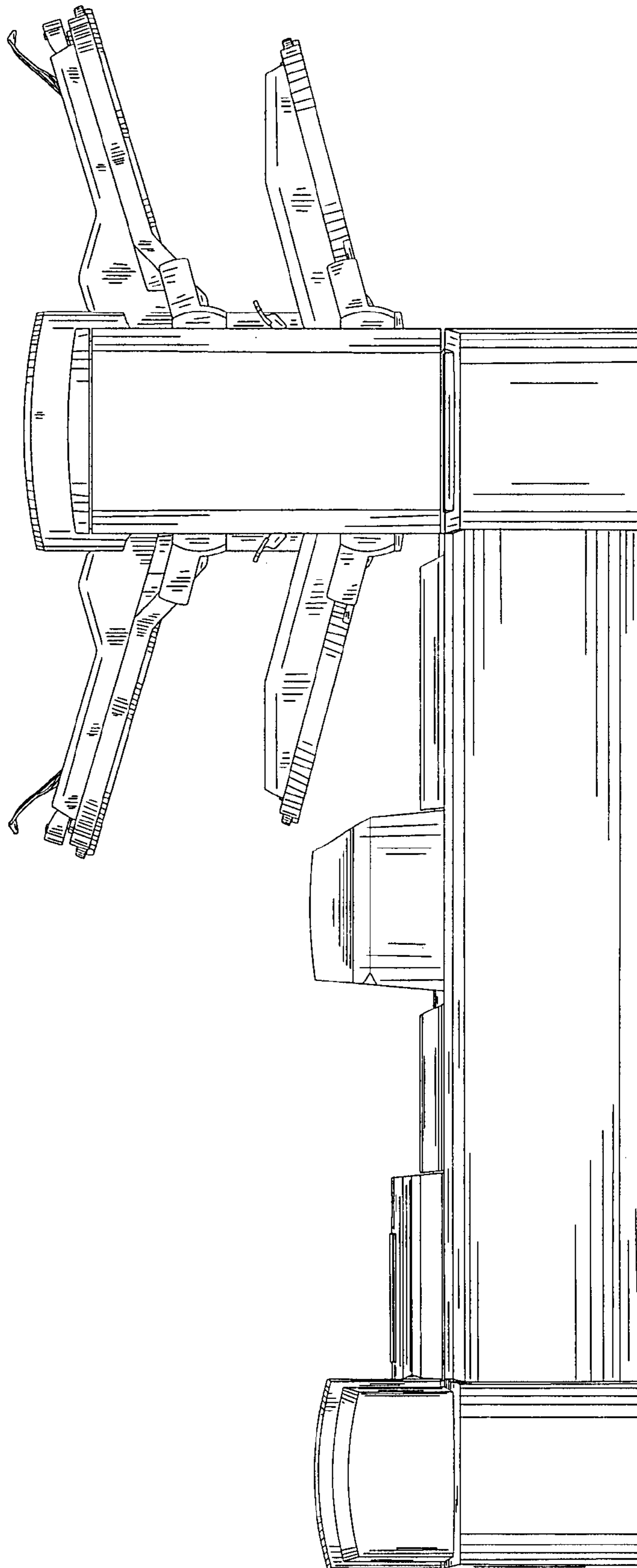


FIG. 12