



US00D555719S

(12) **United States Design Patent**  
**Ishio**

(10) **Patent No.:** **US D555,719 S**

(45) **Date of Patent:** **\*\* Nov. 20, 2007**

(54) **COLLATING MACHINE FOR AN ELECTRONIC COPYING MACHINE**

D462,380 S \* 9/2002 Ortiz et al. .... D18/47  
D465,801 S \* 11/2002 Falk et al. .... D18/39  
D494,210 S \* 8/2004 Watanabe et al. .... D18/39

(75) Inventor: **Hisaya Ishio**, Toda (JP)

FOREIGN PATENT DOCUMENTS

(73) Assignee: **Toshiba Tec Kabushiki Kaisha**, Tokyo (JP)

JP 1045617 8/1999  
JP 1094498 12/2000

(\*\*) Term: **14 Years**

\* cited by examiner

(21) Appl. No.: **29/243,077**

*Primary Examiner*—Robert M. Spear  
*Assistant Examiner*—Garth Rademaker

(22) Filed: **Nov. 21, 2005**

(74) *Attorney, Agent, or Firm*—Hogan & Hartson LLP

(30) **Foreign Application Priority Data**

(57) **CLAIM**

Jul. 25, 2005 (JP) ..... 2005-021480

The ornamental design for a collating machine for an electronic copying machine, as shown and described.

(51) **LOC (8) Cl.** ..... **18-99**

**DESCRIPTION**

(52) **U.S. Cl.** ..... **D18/47**

(58) **Field of Classification Search** ..... D18/36-39,  
D18/45-55; 222/DIG. 1; 355/97, 99; 358/1.1;  
399/1-7, 16, 75, 81, 130, 151, 310, 361,  
399/365

FIG. 1 is a front, top and right side perspective view of a collating machine for an electronic copying machine, showing my new design;

See application file for complete search history.

FIG. 2 is a front, top and left side perspective view thereof;

FIG. 3 is a front elevational view thereof;

(56) **References Cited**

U.S. PATENT DOCUMENTS

D228,152 S \* 8/1973 Matwey ..... D18/39  
D350,973 S \* 9/1994 Lucker ..... D18/39  
D373,786 S \* 9/1996 Kondo ..... D18/39  
D373,789 S \* 9/1996 Narushima ..... D18/48  
D403,349 S \* 12/1998 Hirose et al. .... D18/46  
D421,044 S \* 2/2000 Komatsu ..... D18/47  
D438,239 S \* 2/2001 Agata ..... D18/47  
6,226,471 B1 \* 5/2001 Tsuzuki ..... 399/75  
D451,128 S \* 11/2001 Ortiz et al. .... D18/47

FIG. 4 is a rear elevational view thereof;

FIG. 5 is a top plan view thereof;

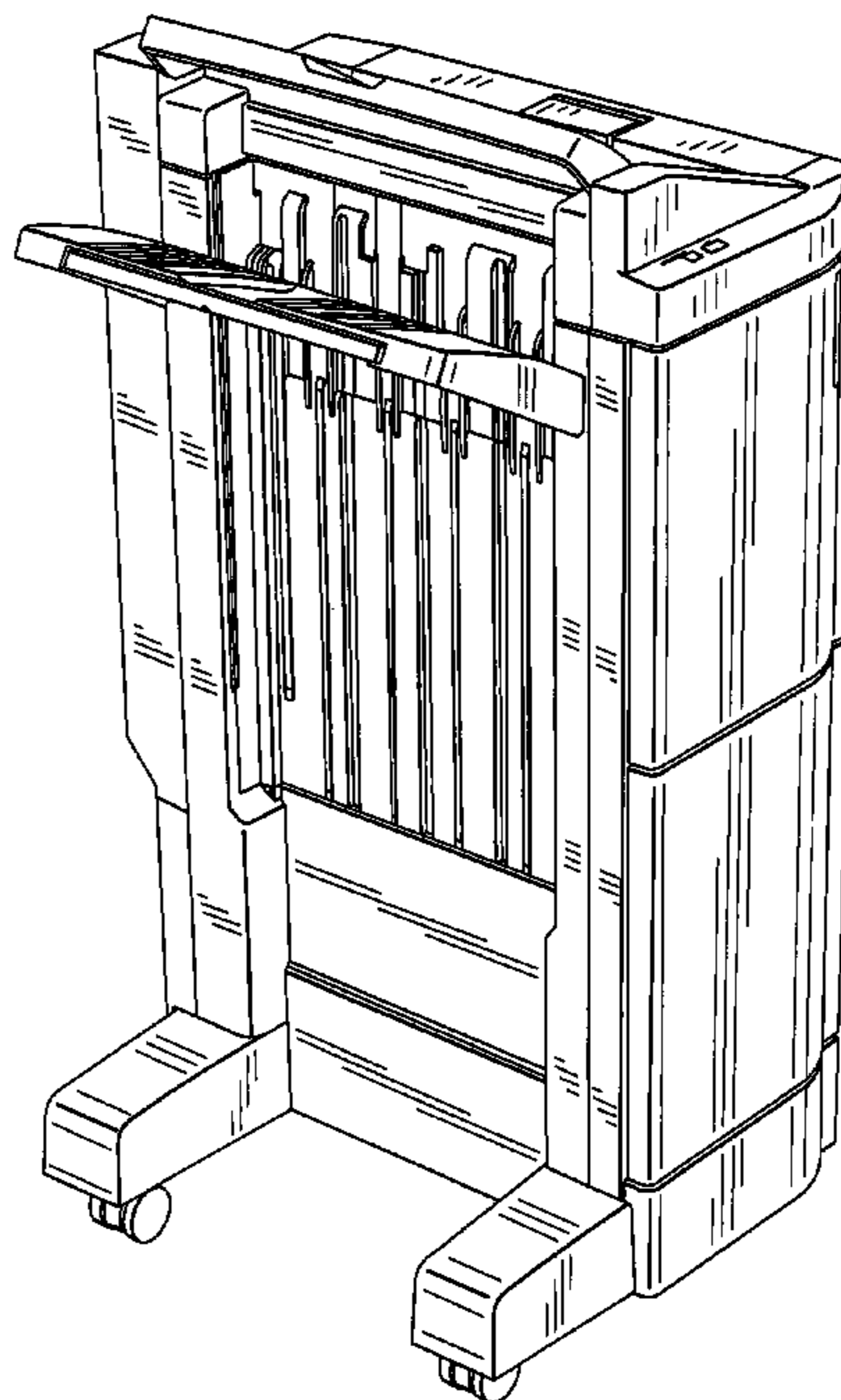
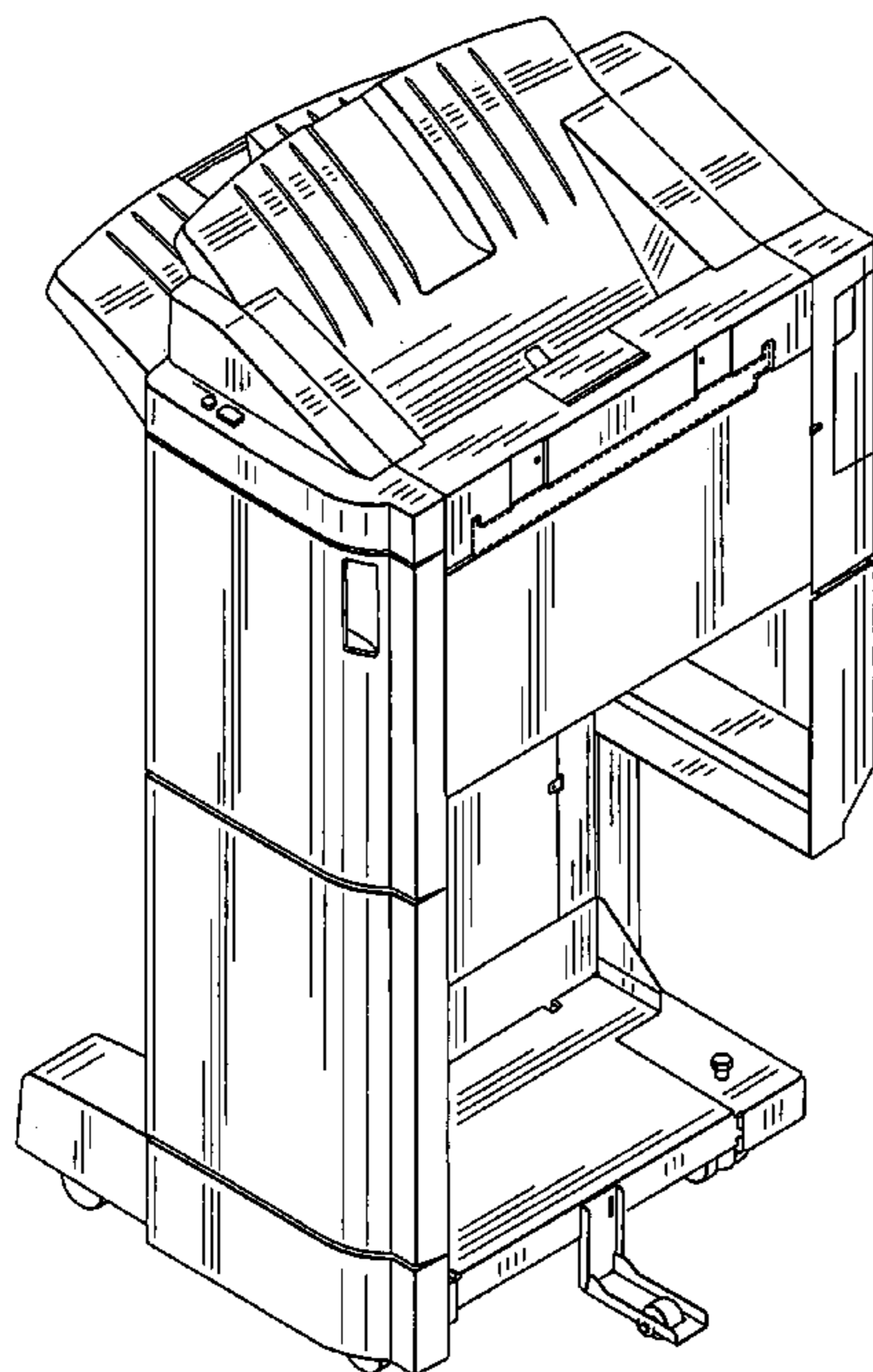
FIG. 6 is a bottom plan view thereof;

FIG. 7 is a right side elevational view thereof; and,

FIG. 8 is a left side elevational view thereof.

The broken lines depict environmental subject matter only and form no part of the claimed design.

**1 Claim, 8 Drawing Sheets**



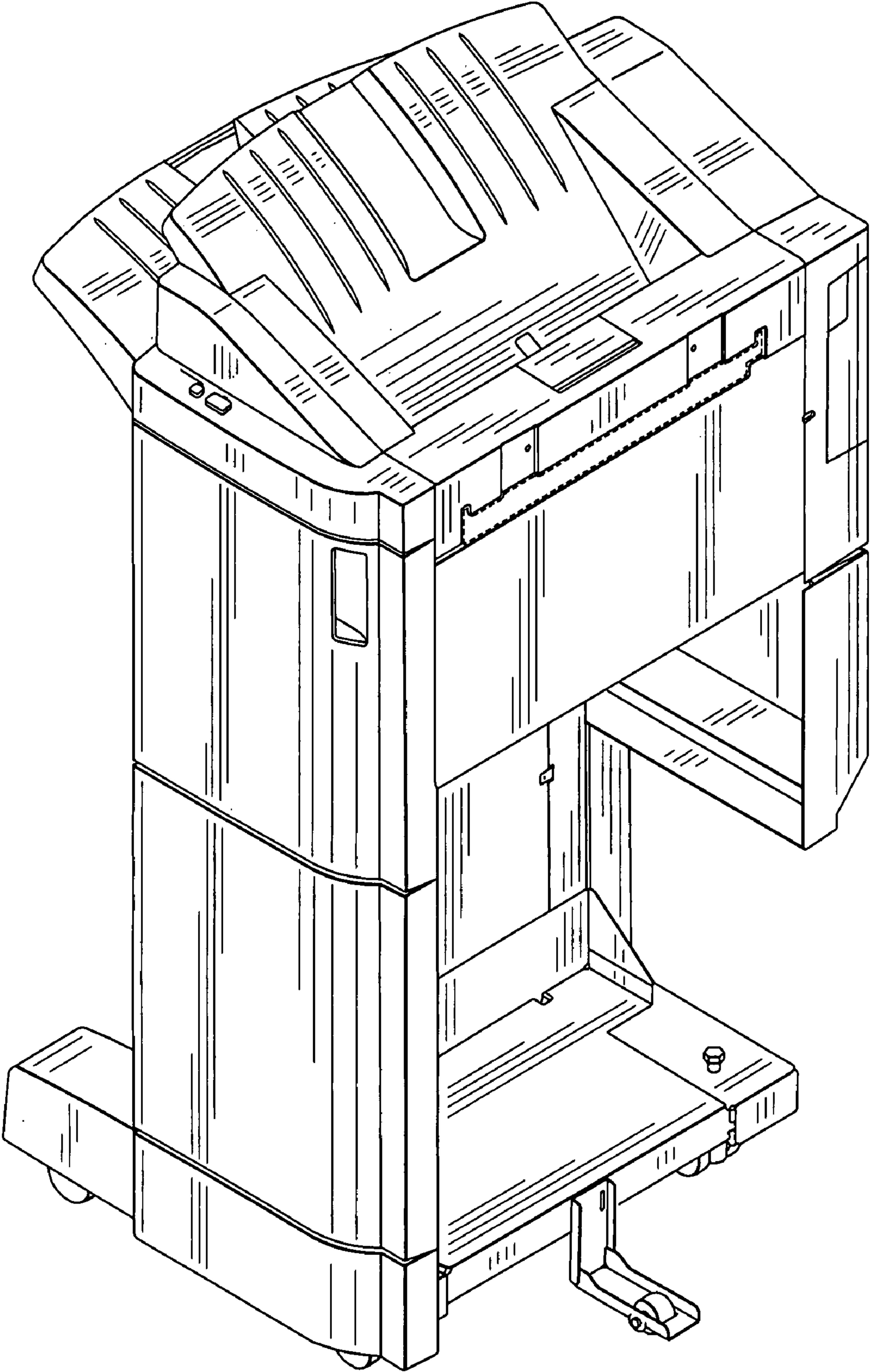


FIG. 1

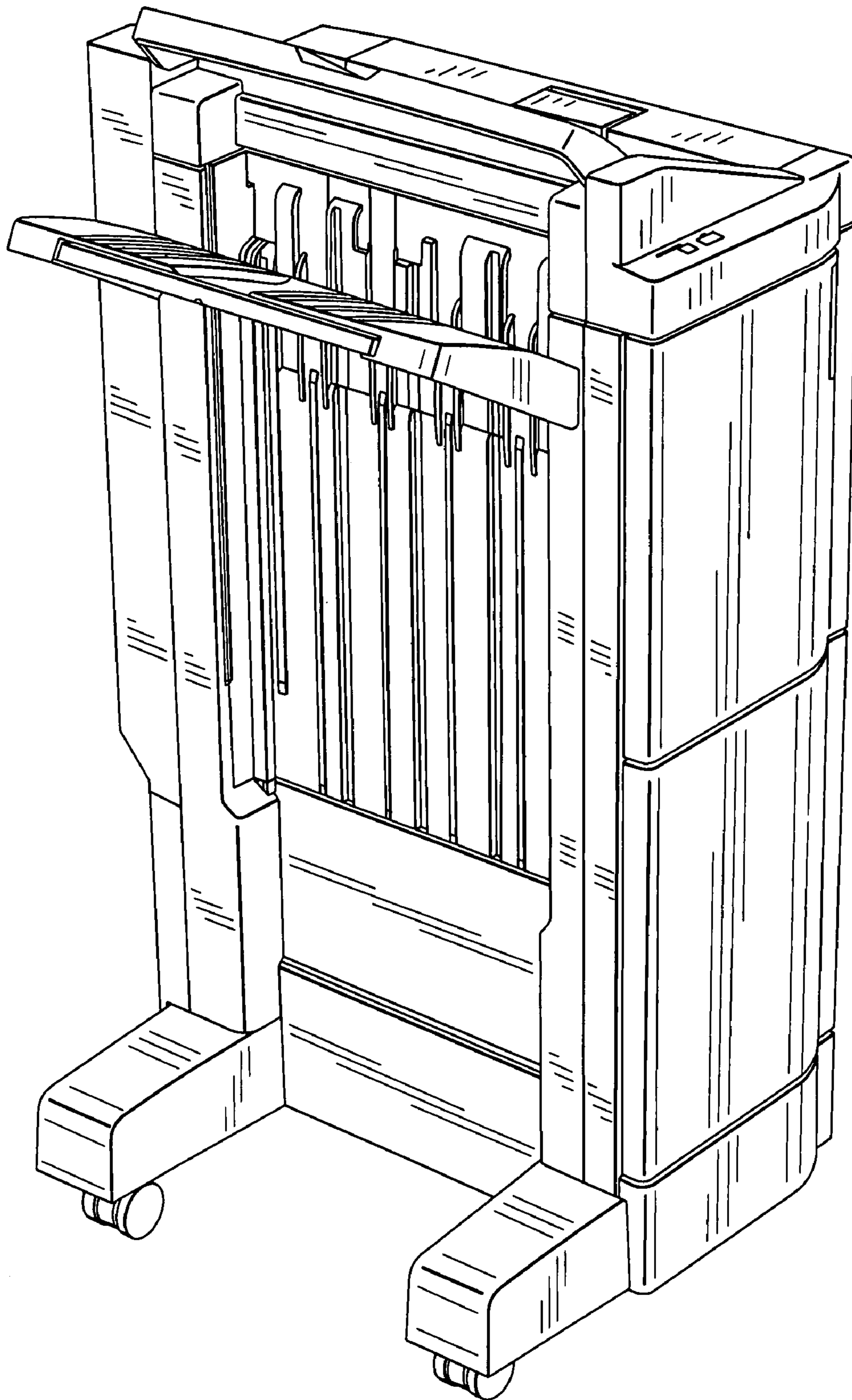


FIG. 2

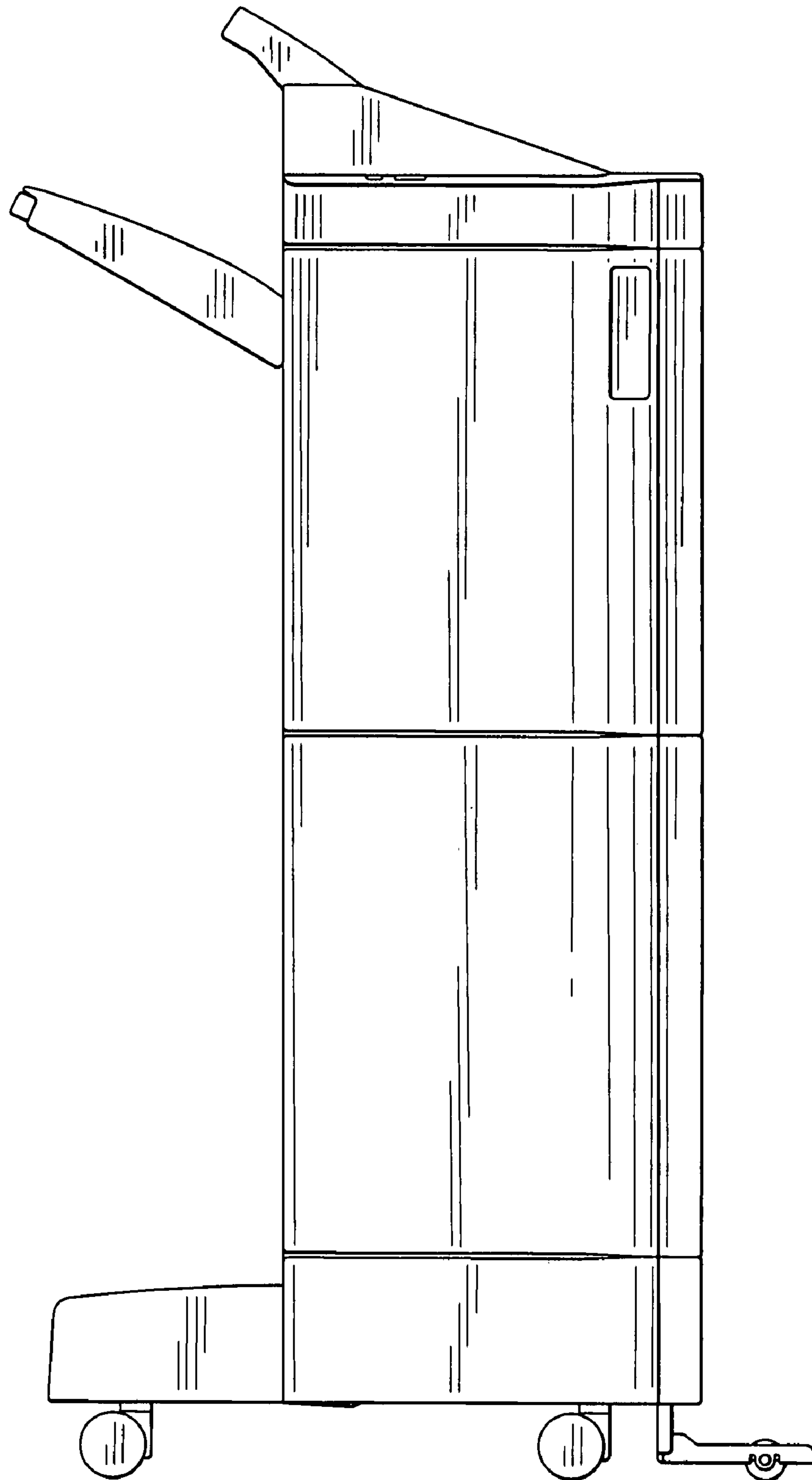


FIG. 3

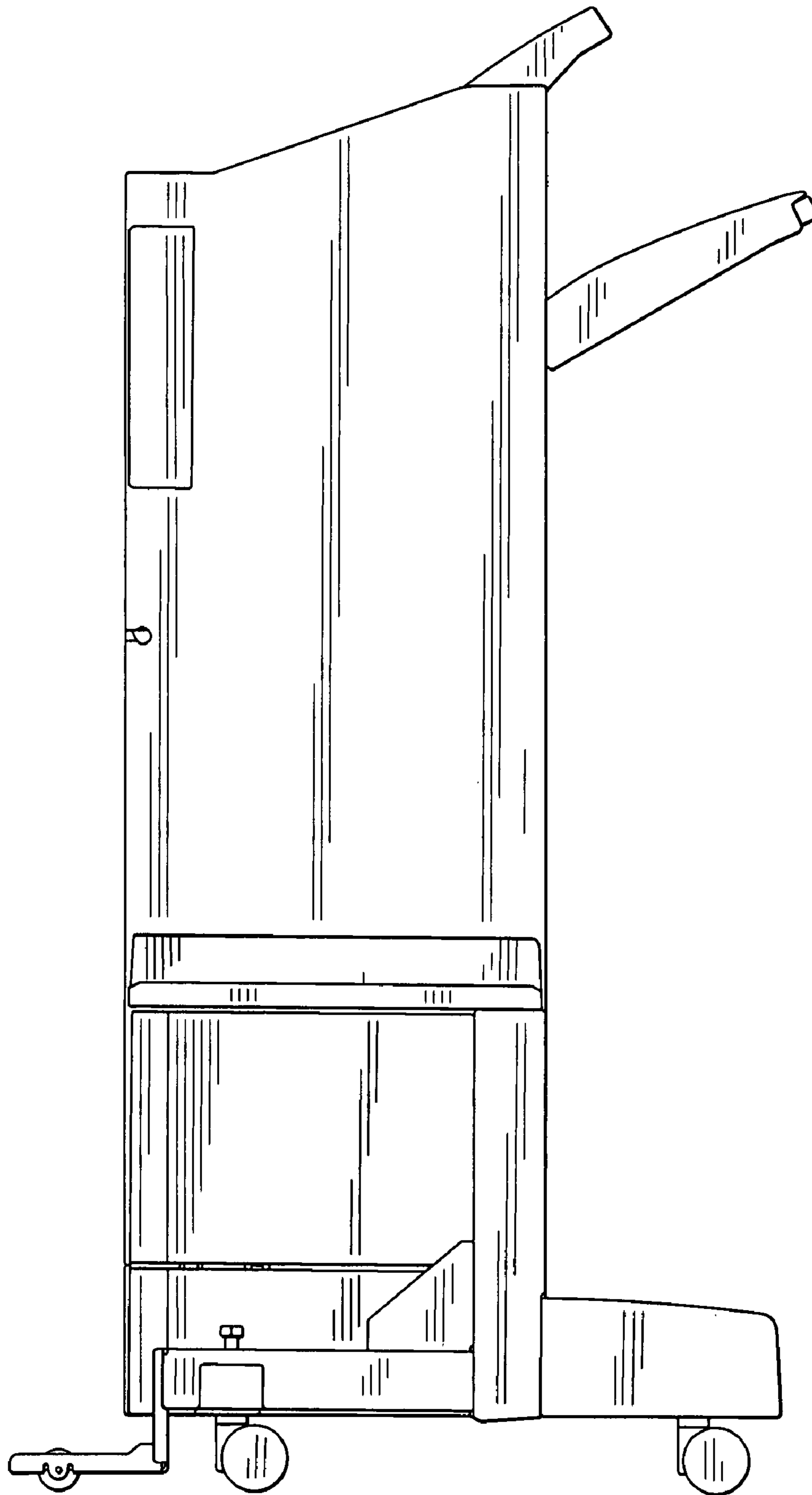


FIG. 4

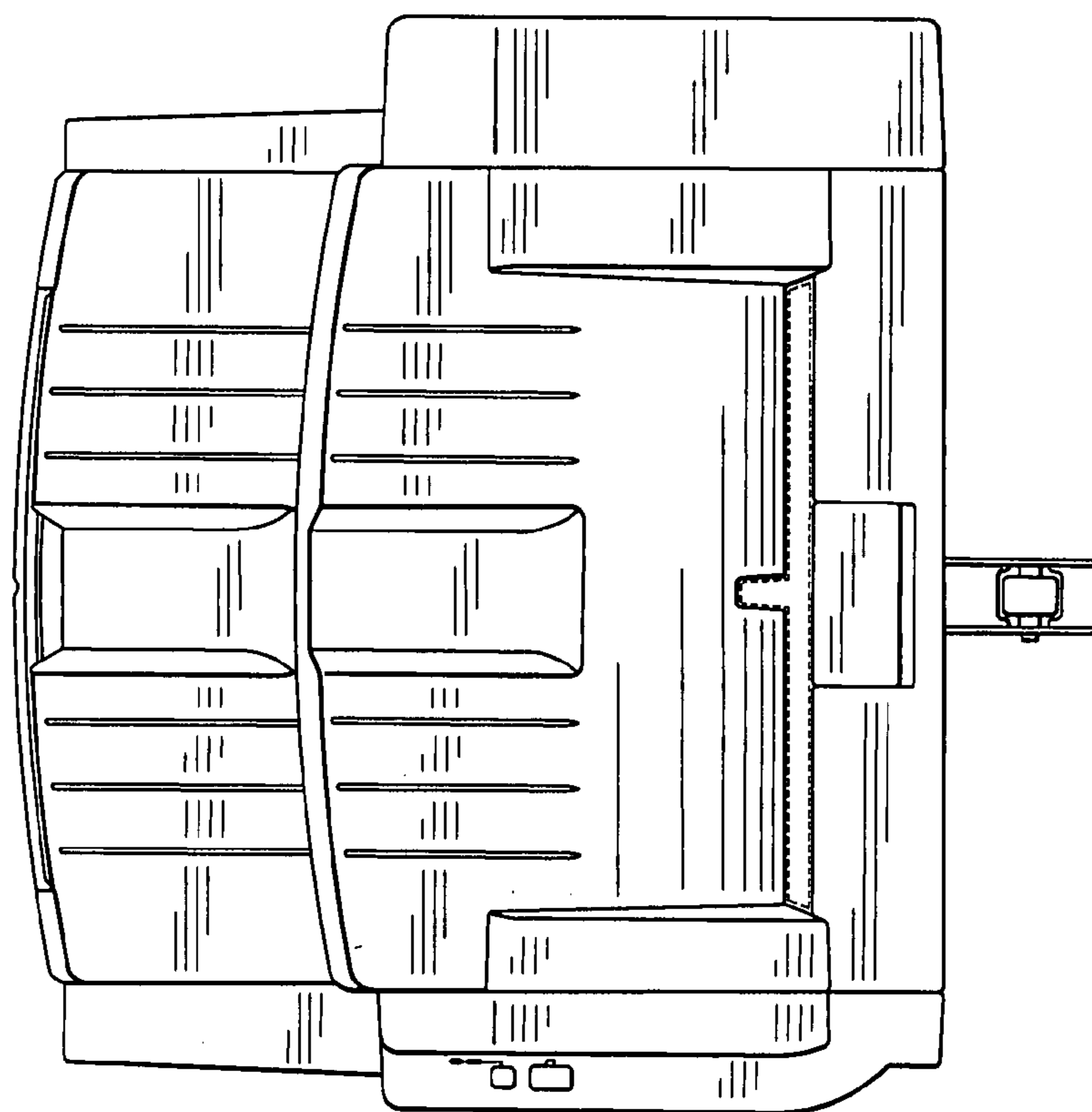


FIG. 5

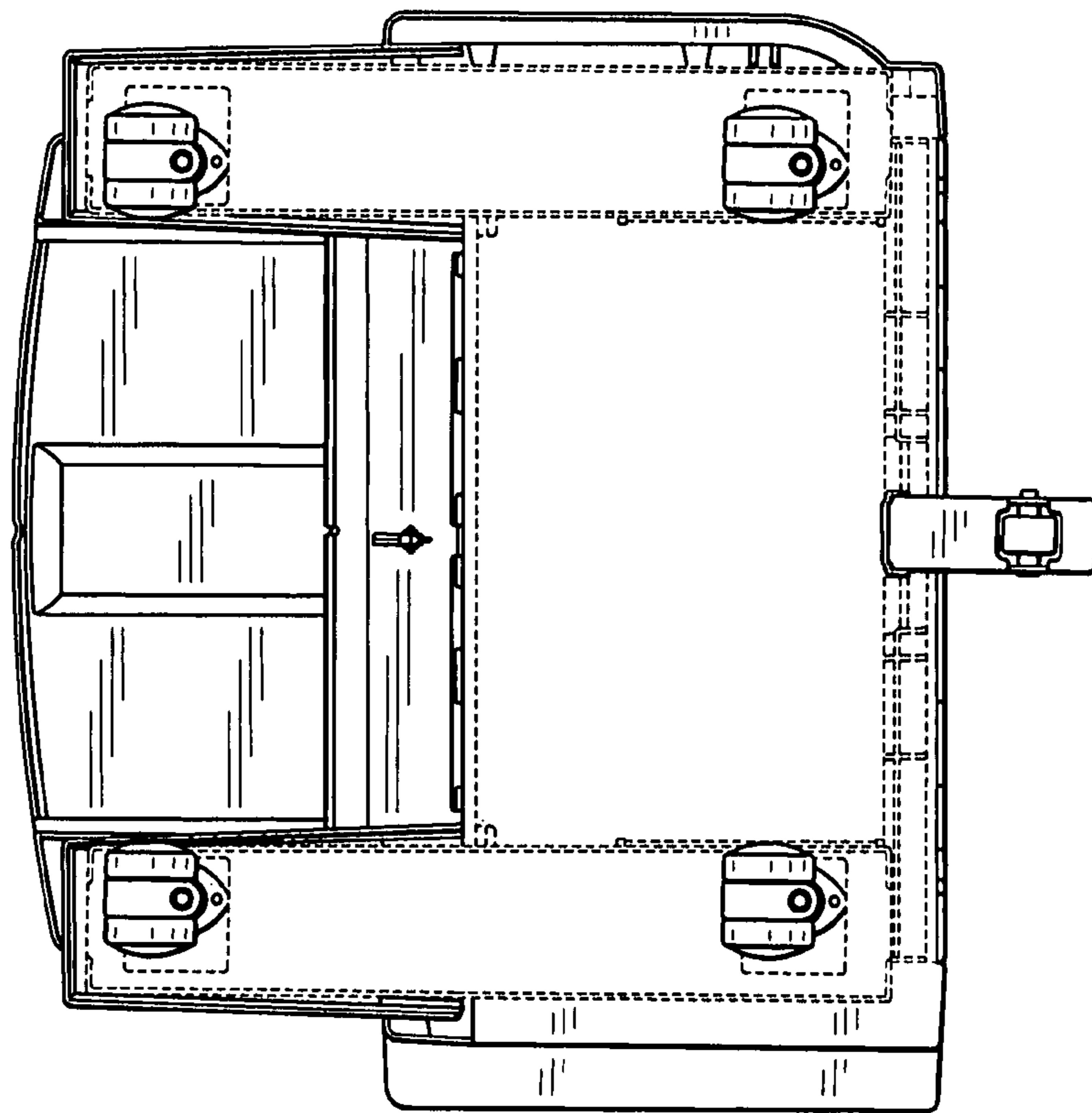


FIG. 6

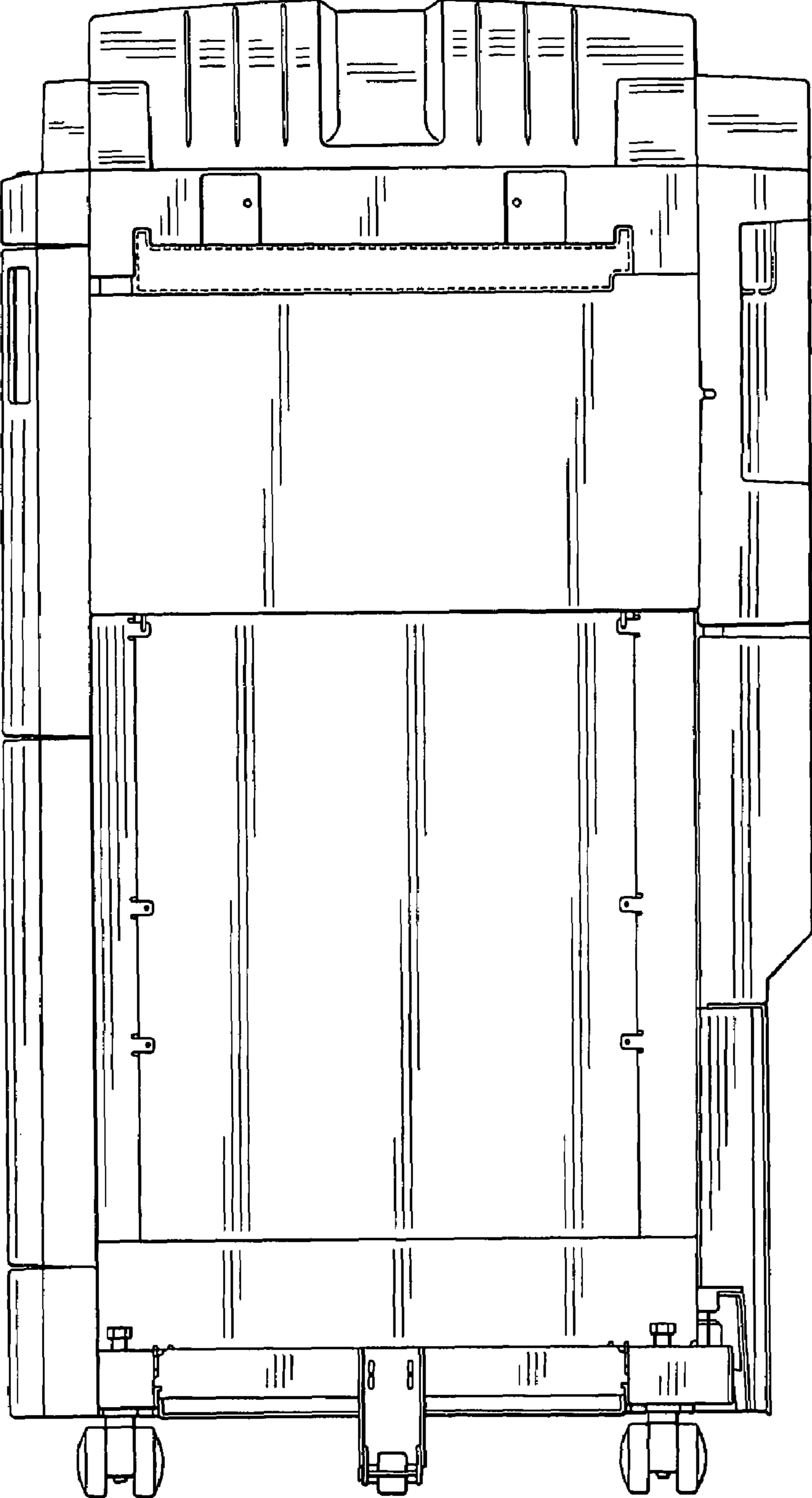


FIG. 7



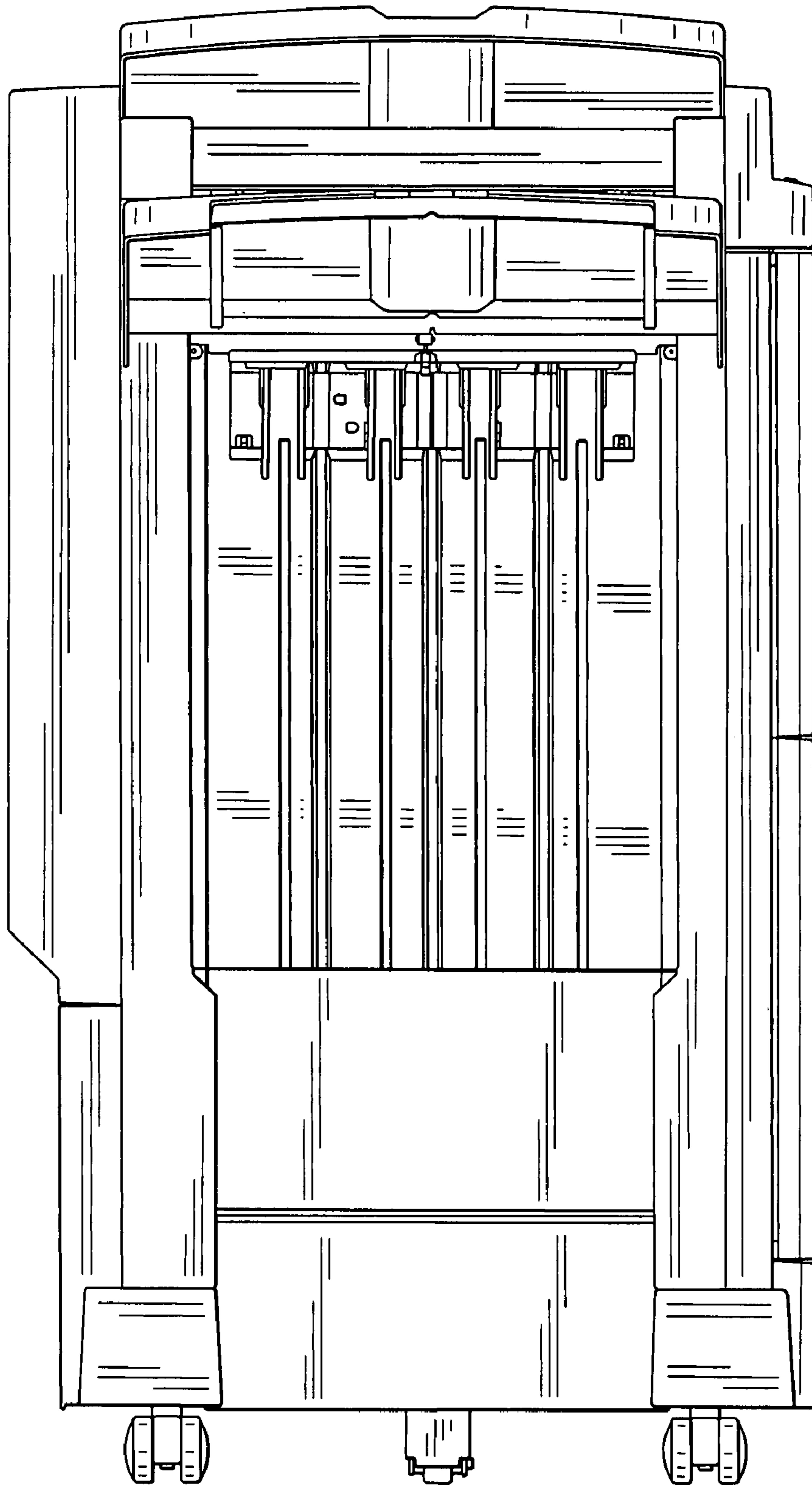


FIG. 8