



US00D555718S

(12) **United States Design Patent**
Miyabe et al.

(10) **Patent No.:** **US D555,718 S**

(45) **Date of Patent:** **** Nov. 20, 2007**

(54) **IMAGE FORMING APPARATUS**

(75) Inventors: **Shigeo Miyabe**, Numazu (JP); **Shinjiro Toba**, Odawara (JP); **Takahito Ueno**, Mishima (JP)

(73) Assignee: **Canon Kabushiki Kaisha**, Tokyo (JP)

(**) Term: **14 Years**

(21) Appl. No.: **29/235,398**

(22) Filed: **Aug. 2, 2005**

(30) **Foreign Application Priority Data**

Apr. 28, 2005 (JP) 2005-012795

(51) **LOC (8) Cl.** **16-03**

(52) **U.S. Cl.** **D18/43**

(58) **Field of Classification Search** D18/12,
D18/36, 40, 43, 44, 56; D14/462, 469-471;
222/DIG. 1; 347/197, 222; 399/24-28,
399/107-112, 119, 121, 122, 222-224; 400/207,
400/208

See application file for complete search history.

(56) **References Cited**

U.S. PATENT DOCUMENTS

- D338,227 S * 8/1993 Tokuda et al. D18/43
- D338,909 S * 8/1993 Tokuda et al. D18/43
- D357,272 S * 4/1995 Tokuda et al. D18/43
- D394,450 S * 5/1998 Katoh et al. D18/43
- D418,862 S * 1/2000 Ogawa et al. D18/43

- D433,441 S * 11/2000 Yonekawa et al. D18/43
- D474,497 S * 5/2003 Kawai et al. D18/40
- D528,591 S * 9/2006 Hashimoto et al. D18/43
- 2003/0185587 A1 * 10/2003 Kawai et al. 399/111
- 2006/0072936 A1 * 4/2006 Numagami et al. 399/111
- 2006/0147225 A1 * 7/2006 Harada et al. 399/111

* cited by examiner

Primary Examiner—Robert M. Spear
Assistant Examiner—Garth Rademaker

(74) *Attorney, Agent, or Firm*—Fitzpatrick, Cella, Harper & Scinto

(57) **CLAIM**

The ornamental design for an image forming apparatus, as shown and described.

DESCRIPTION

FIG. 1 is a front view of an image forming apparatus showing our new design;

FIG. 2 is a rear view thereof;

FIG. 3 is a top plan view thereof;

FIG. 4 is a bottom plan view thereof;

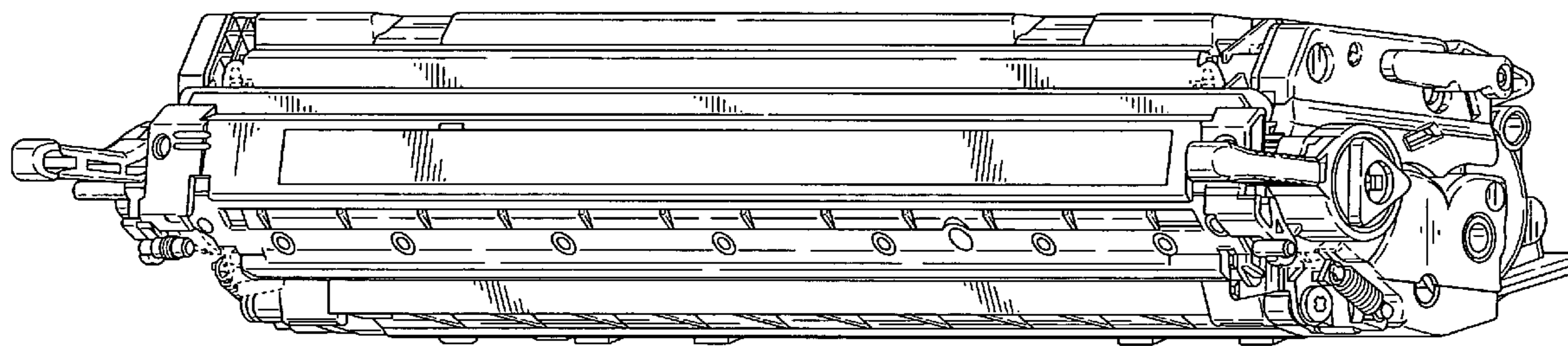
FIG. 5 is a left side view thereof;

FIG. 6 is a right side view thereof; and,

FIG. 7 is a perspective view thereof.

The broken lines depict environmental subject matter only and form no part of the claimed design.

1 Claim, 5 Drawing Sheets



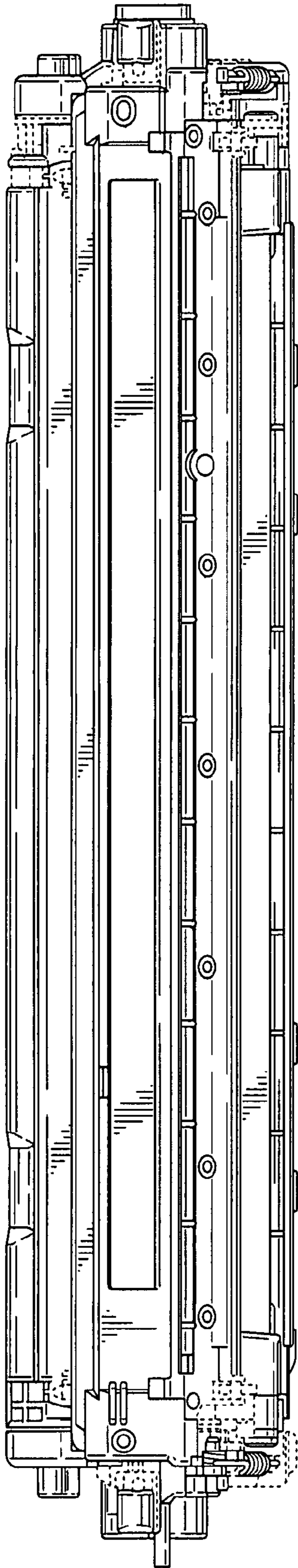


FIG. 1

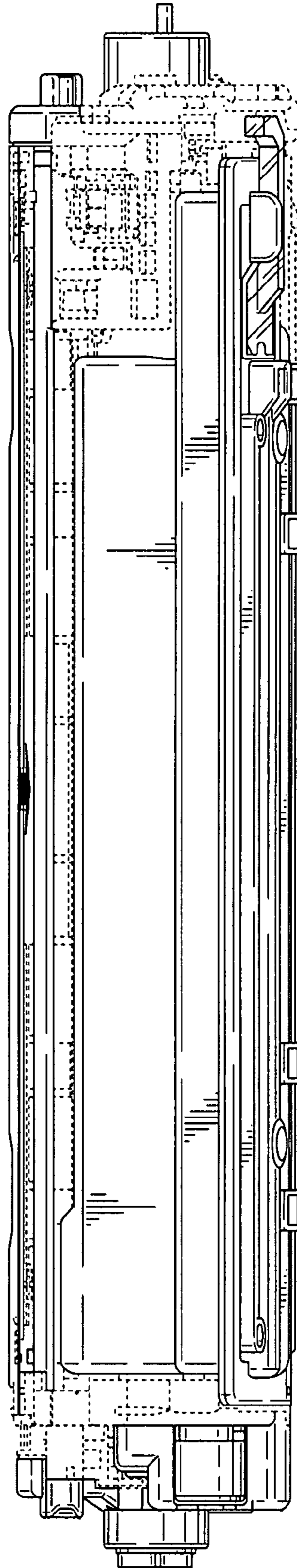


FIG. 2

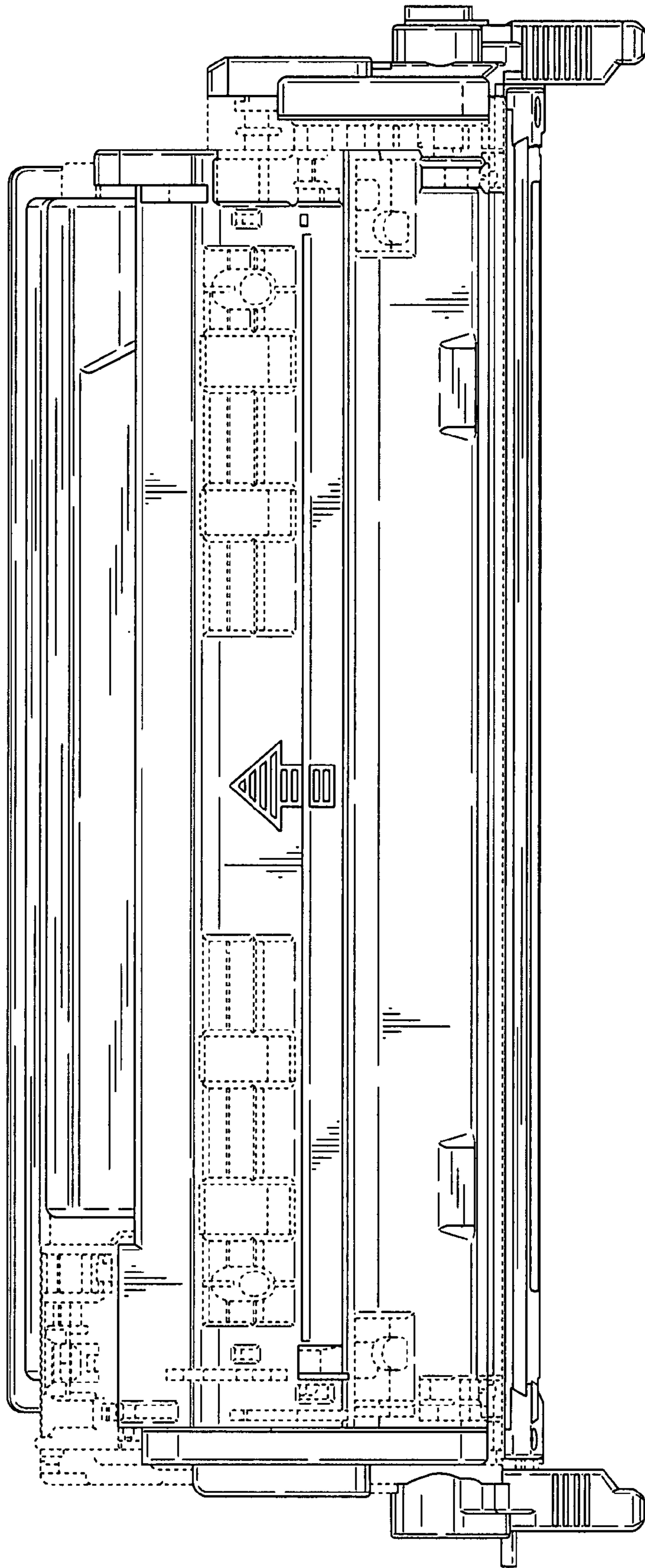


FIG. 3

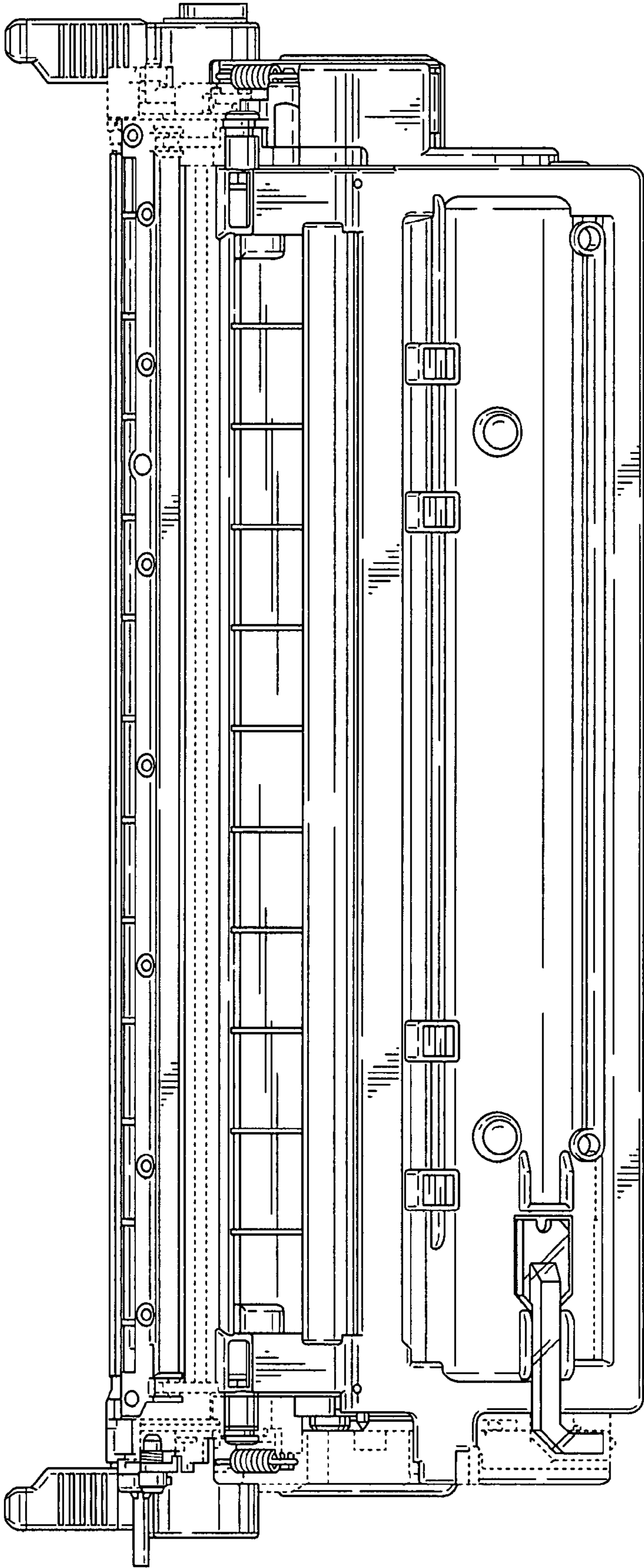


FIG. 4

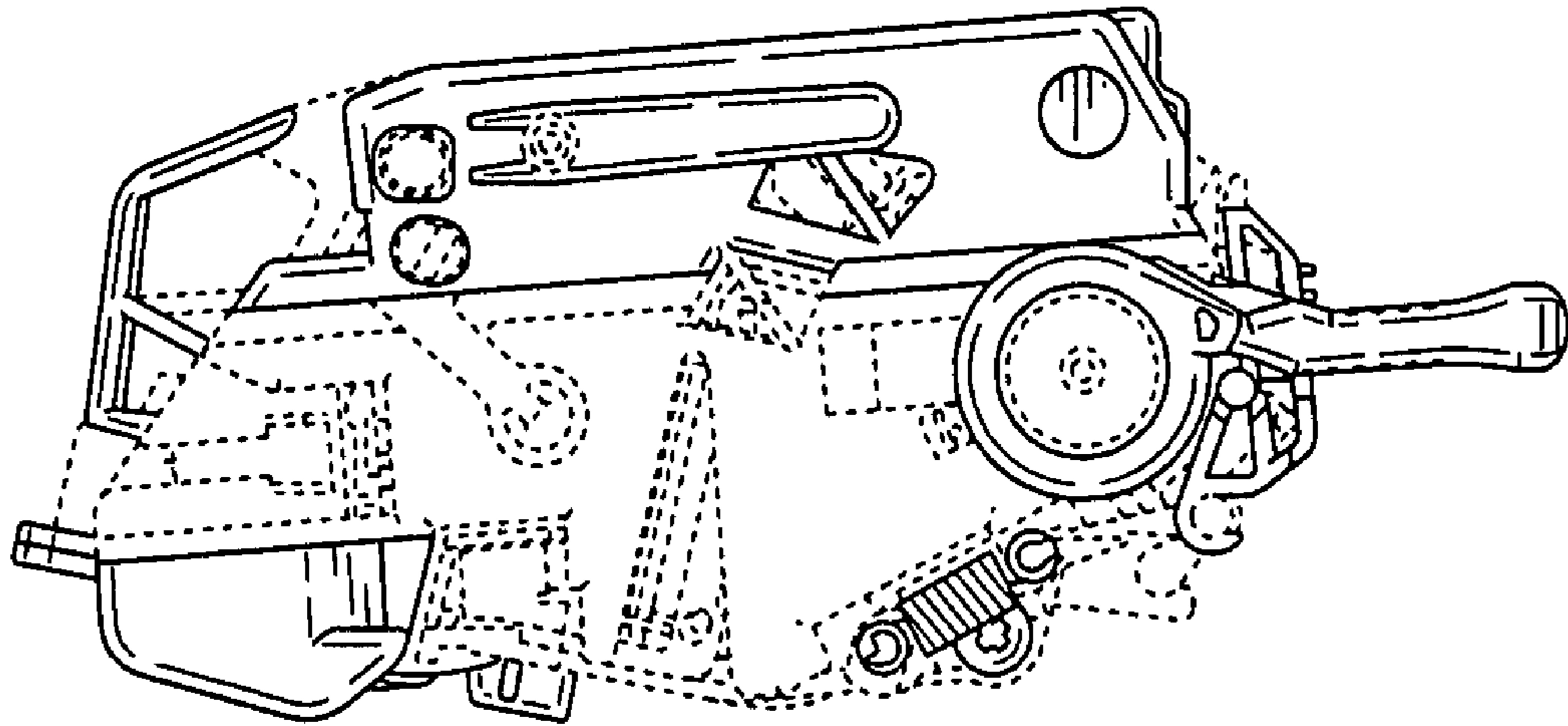


FIG. 5

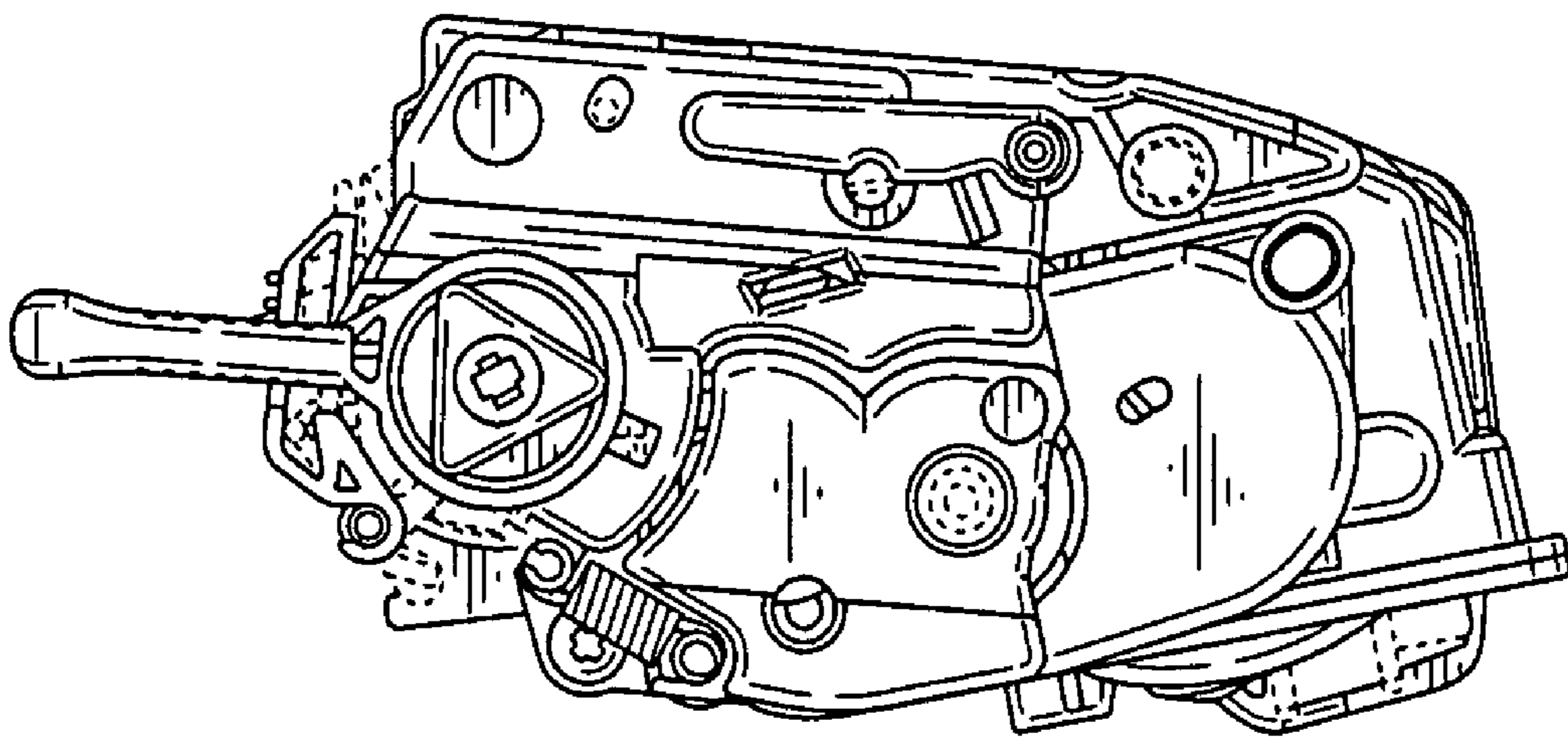


FIG. 6

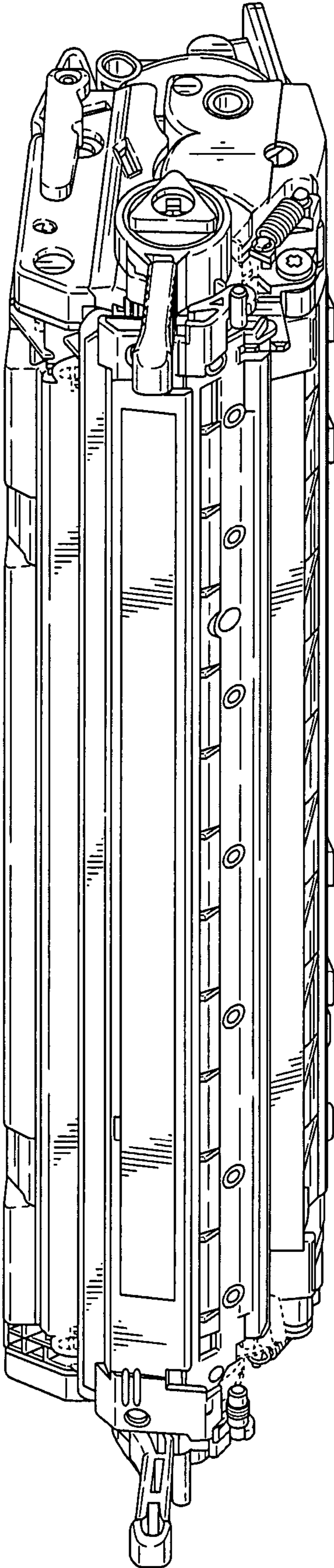


FIG. 7