



US00D555717S

(12) **United States Design Patent**  
**Batori et al.**

(10) **Patent No.:** **US D555,717 S**

(45) **Date of Patent:** **\*\* Nov. 20, 2007**

(54) **IMAGE FORMING APPARATUS**

(75) Inventors: **Yoshiyuki Batori**, Mishima (JP);  
**Teruhiko Sasaki**, Mishima-shim (JP);  
**Masanari Morioka**, Numazu (JP);  
**Daisuke Abe**, Sunto-gun (JP); **Hiroki**  
**Ogino**, Mishima (JP)

(73) Assignee: **Canon Kabushiki Kaisha**, Tokyo (JP)

(\*\*) Term: **14 Years**

(21) Appl. No.: **29/235,397**

(22) Filed: **Aug. 2, 2005**

(30) **Foreign Application Priority Data**

Apr. 11, 2005 (JP) ..... 2005-010693

(51) **LOC (8) Cl.** ..... **16-03**

(52) **U.S. Cl.** ..... **D18/43**

(58) **Field of Classification Search** ..... D18/12,  
D18/36, 40, 43, 44, 56; D14/462, 469-471;  
222/DIG. 1; 347/197, 222; 399/24-28,  
399/107-112, 119, 121, 122, 222-224; 400/207,  
400/208

See application file for complete search history.

(56) **References Cited**

**U.S. PATENT DOCUMENTS**

D319,842 S \* 9/1991 Tanda ..... D18/43  
D338,227 S \* 8/1993 Tokuda et al. .... D18/43  
D338,909 S \* 8/1993 Tokuda et al. .... D18/43

D357,272 S \* 4/1995 Tokuda et al. .... D18/43  
D433,441 S \* 11/2000 Yonekawa et al. .... D18/43  
6,738,589 B2 \* 5/2004 Karakama et al. .... 399/111  
6,885,838 B2 \* 4/2005 Kawai et al. .... 399/111  
D529,541 S \* 10/2006 Kawai ..... D18/43  
2005/0158072 A1 \* 7/2005 Kawai ..... 399/119

\* cited by examiner

*Primary Examiner*—Robert M. Spear  
*Assistant Examiner*—Garth Rademaker

(74) *Attorney, Agent, or Firm*—Fitzpatrick, Cella, Harper &  
Scinto

(57) **CLAIM**

The ornamental design for an image forming apparatus, as  
shown and described.

**DESCRIPTION**

FIG. 1 is a front view of an image forming apparatus  
showing our new design;

FIG. 2 is a rear view thereof;

FIG. 3 is a top plan view thereof;

FIG. 4 is a bottom plan view thereof;

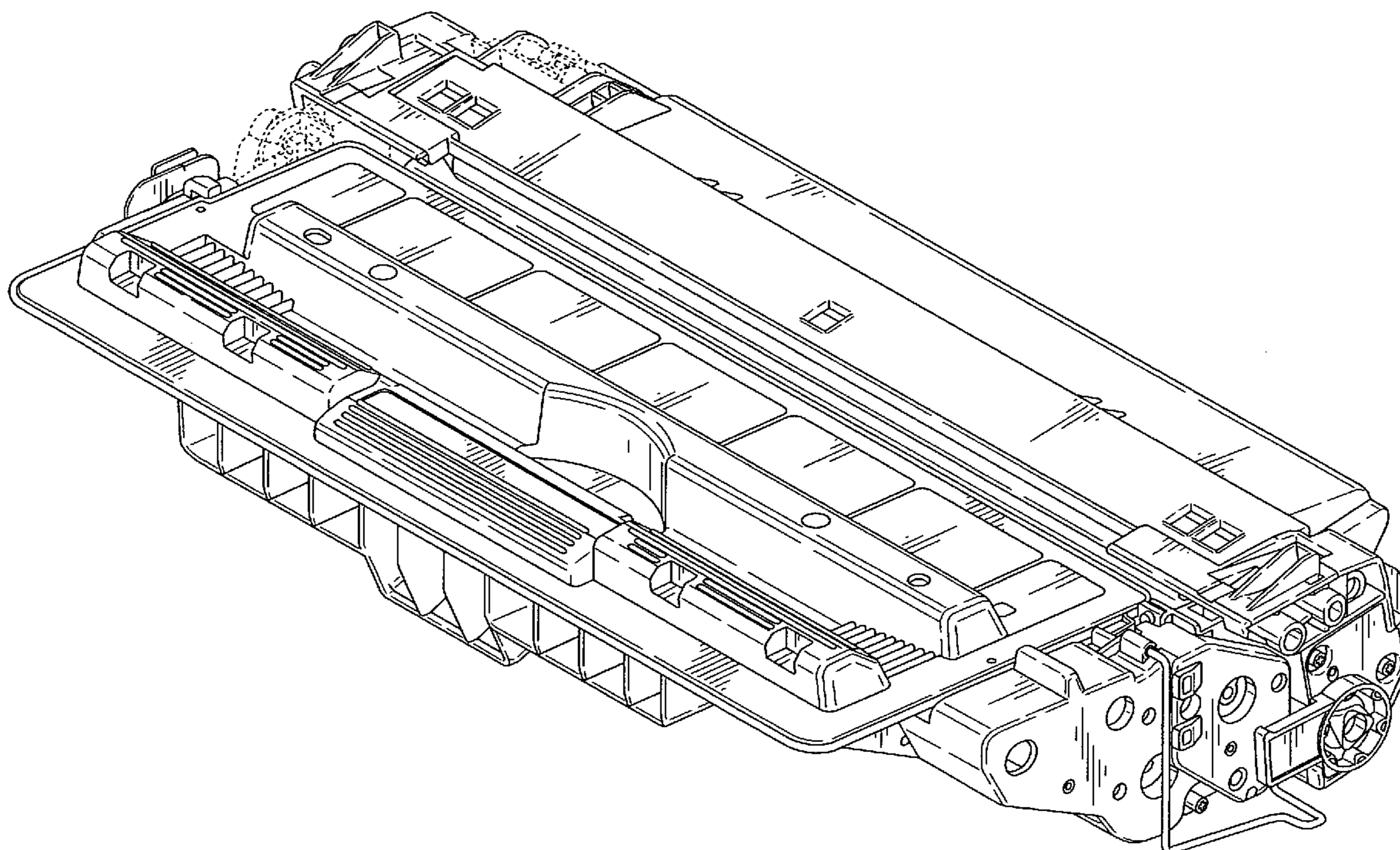
FIG. 5 is a left side view thereof;

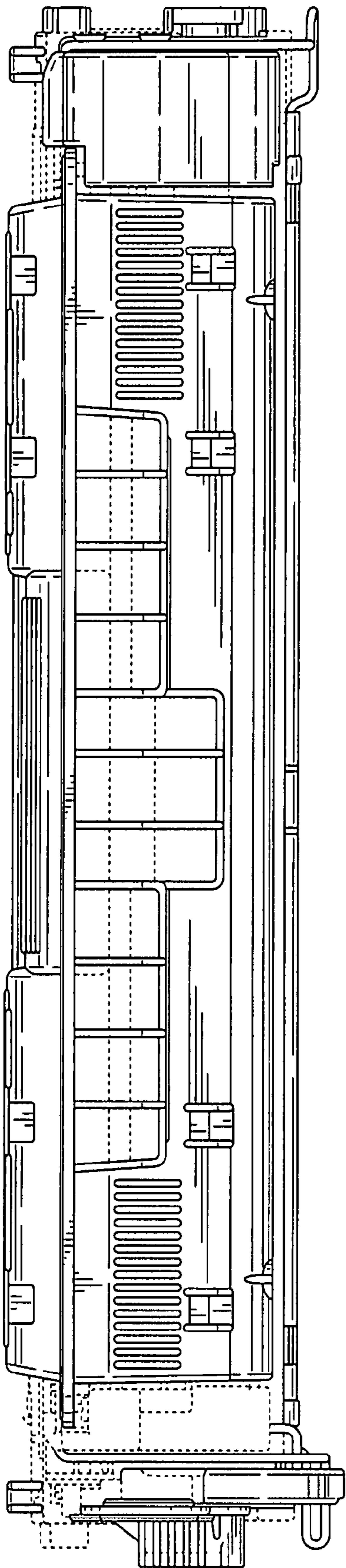
FIG. 6 is a right side view thereof; and,

FIG. 7 is a perspective view thereof.

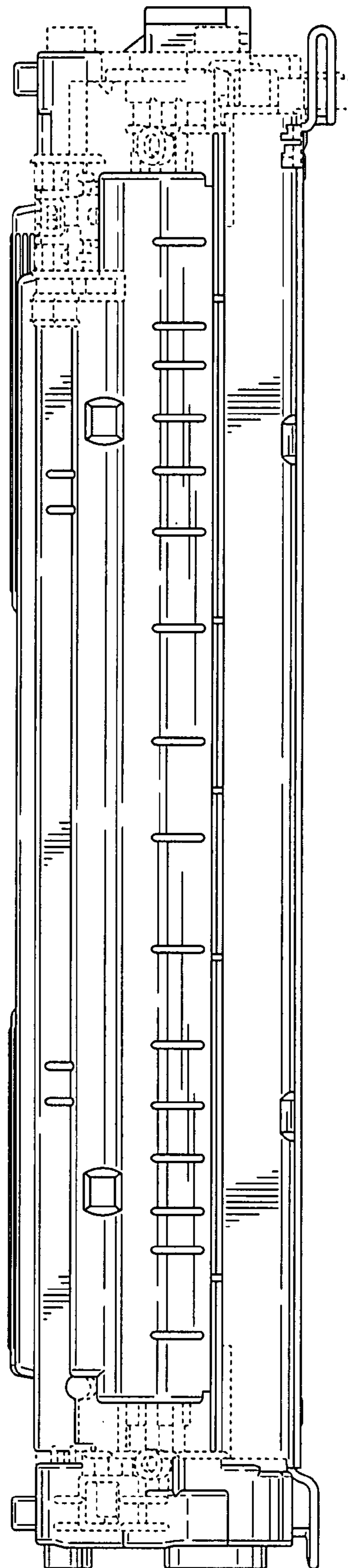
The broken lines depict environmental subject matter only  
and form no part of the claimed design.

**1 Claim, 5 Drawing Sheets**





*FIG. 1*



*FIG. 2*

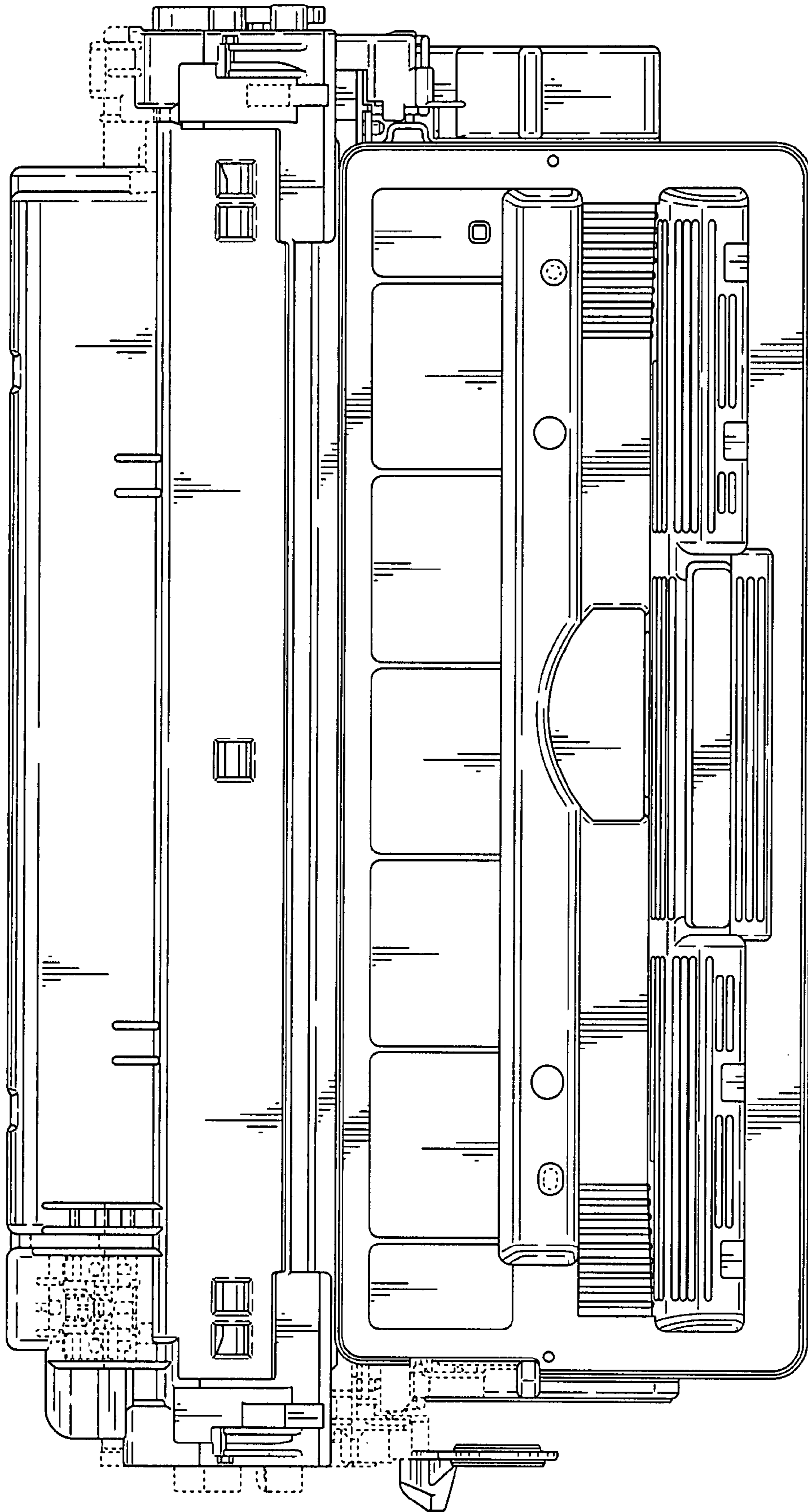


FIG. 3

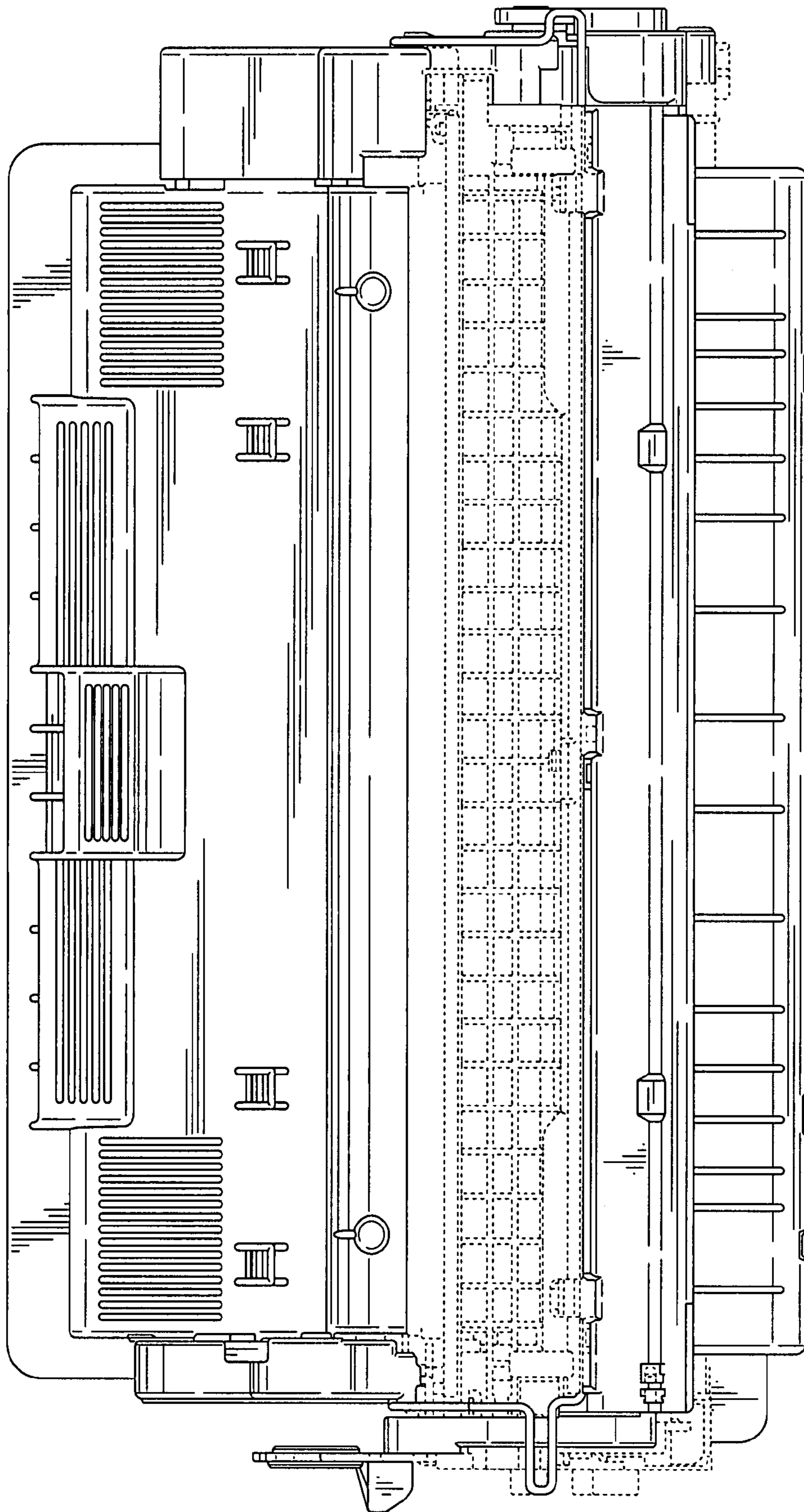
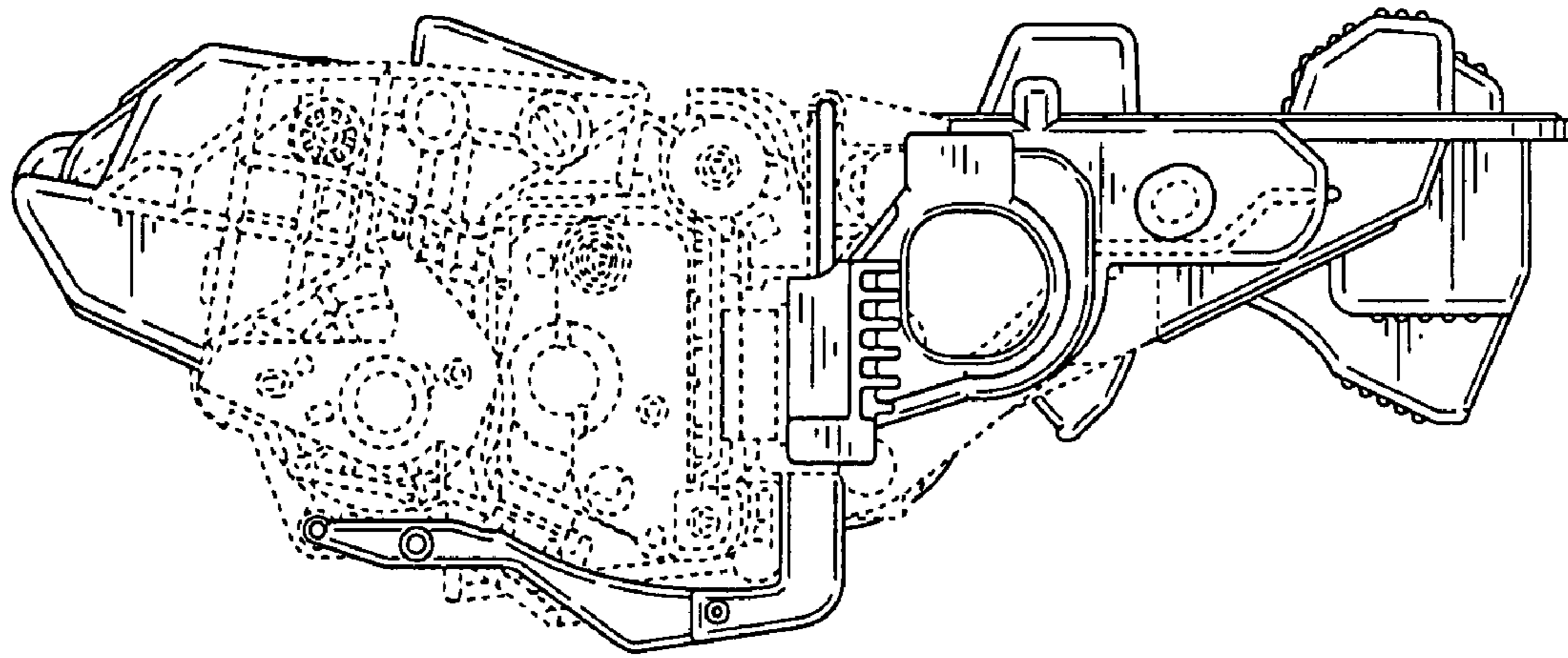
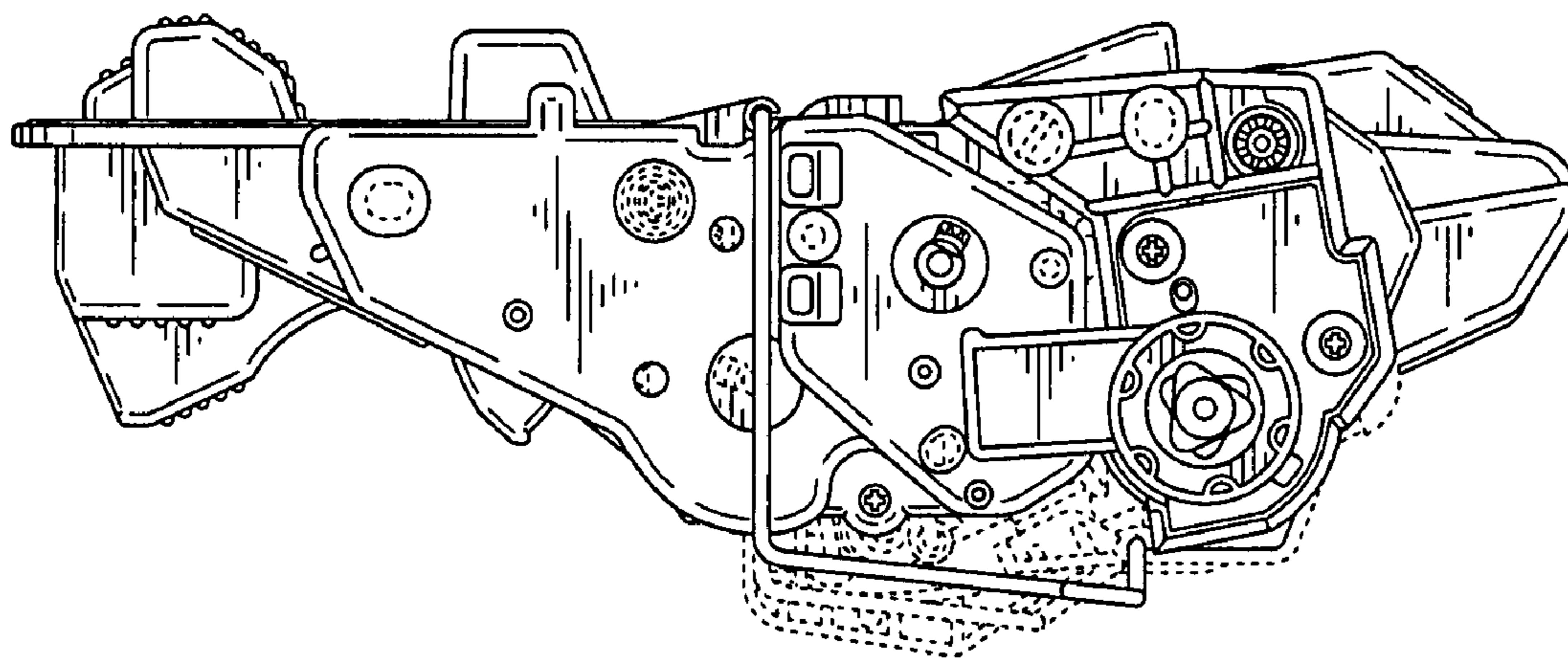


FIG. 4



*FIG. 5*



*FIG. 6*

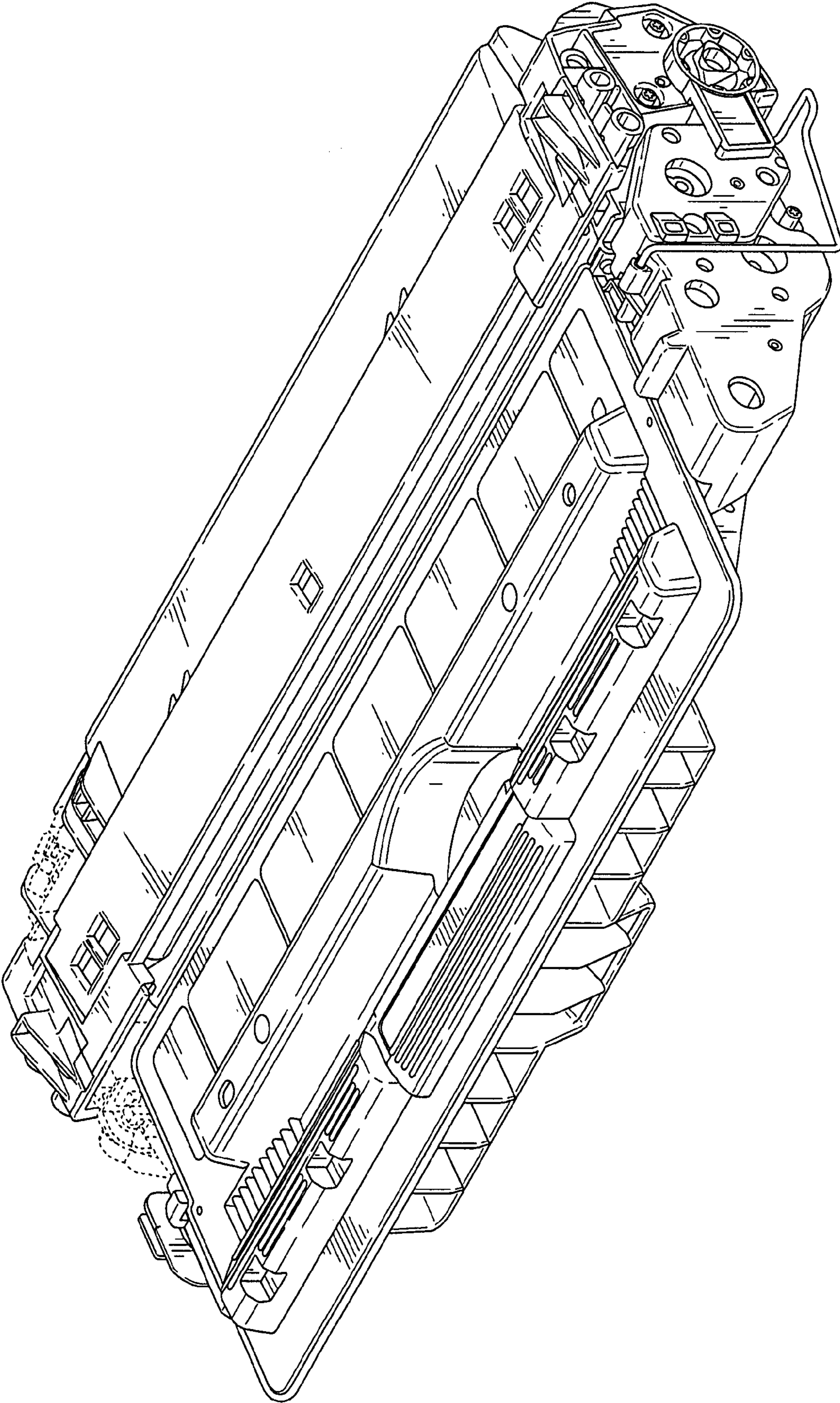


FIG. 7