



US00D555716S

(12) **United States Design Patent**
Chen

(10) **Patent No.:** **US D555,716 S**

(45) **Date of Patent:** **** Nov. 20, 2007**

(54) **PAPER BREAKER**

(75) Inventor: **Liangneng Chen**, Shanghai (CN)

(73) Assignee: **Aurora Office Equipment Co., Ltd**,
Shanghai, Shanghai (CN)

(**) Term: **14 Years**

(21) Appl. No.: **29/248,726**

(22) Filed: **Aug. 30, 2006**

(51) **LOC (8) Cl.** **18-04**

(52) **U.S. Cl.** **D18/36.4**

(58) **Field of Classification Search** D18/34.1-34.9,
D18/99, 50; 83/167, 289, 302, 203, 523,
83/633; 241/169.1, 36, 154, 157, 222, 224,
241/158.1, 295, 37.5, 100, 236; 385/13;
D34/7, 8, 9; D14/351, 352

See application file for complete search history.

(56) **References Cited**

U.S. PATENT DOCUMENTS

D437,343 S * 2/2001 Ho D18/34.6
6,390,398 B1 * 5/2002 Wu Huang 241/100
D498,253 S * 11/2004 Lo D18/34.6
D502,961 S * 3/2005 Lo D18/34.6

6,962,301 B1 * 11/2005 Chang 241/100
6,964,386 B2 * 11/2005 Ho 241/100
7,040,559 B2 * 5/2006 Matlin et al. 241/100
7,083,131 B2 * 8/2006 Ting 241/100
D532,444 S * 11/2006 Kao et al. D18/34.4
D532,445 S * 11/2006 Lo D18/34.5
7,150,422 B2 * 12/2006 Wang 241/100

* cited by examiner

Primary Examiner—Charles A. Rademaker

(74) *Attorney, Agent, or Firm*—Bourque and Associates

(57) **CLAIM**

The ornamental design for a paper breaker, as shown.

DESCRIPTION

FIG. 1 is a front elevation of a paper breaker showing my new design;

FIG. 2 is a rear elevation thereof;

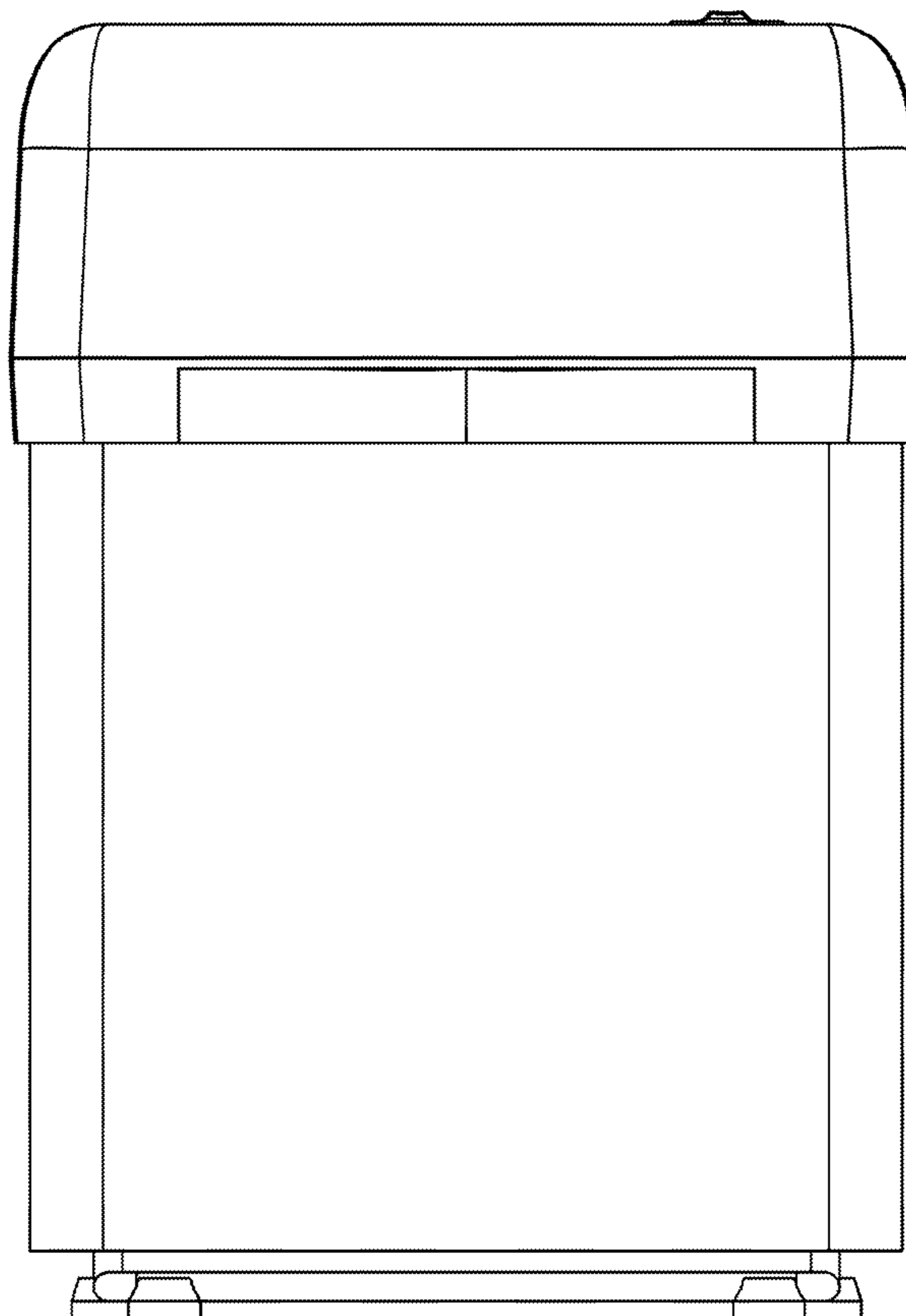
FIG. 3 is a left side elevation thereof;

FIG. 4 is a right side elevation thereof;

FIG. 5 is a top plan view thereof; and,

FIG. 6 is a top perspective view thereof.

1 Claim, 6 Drawing Sheets



Front View

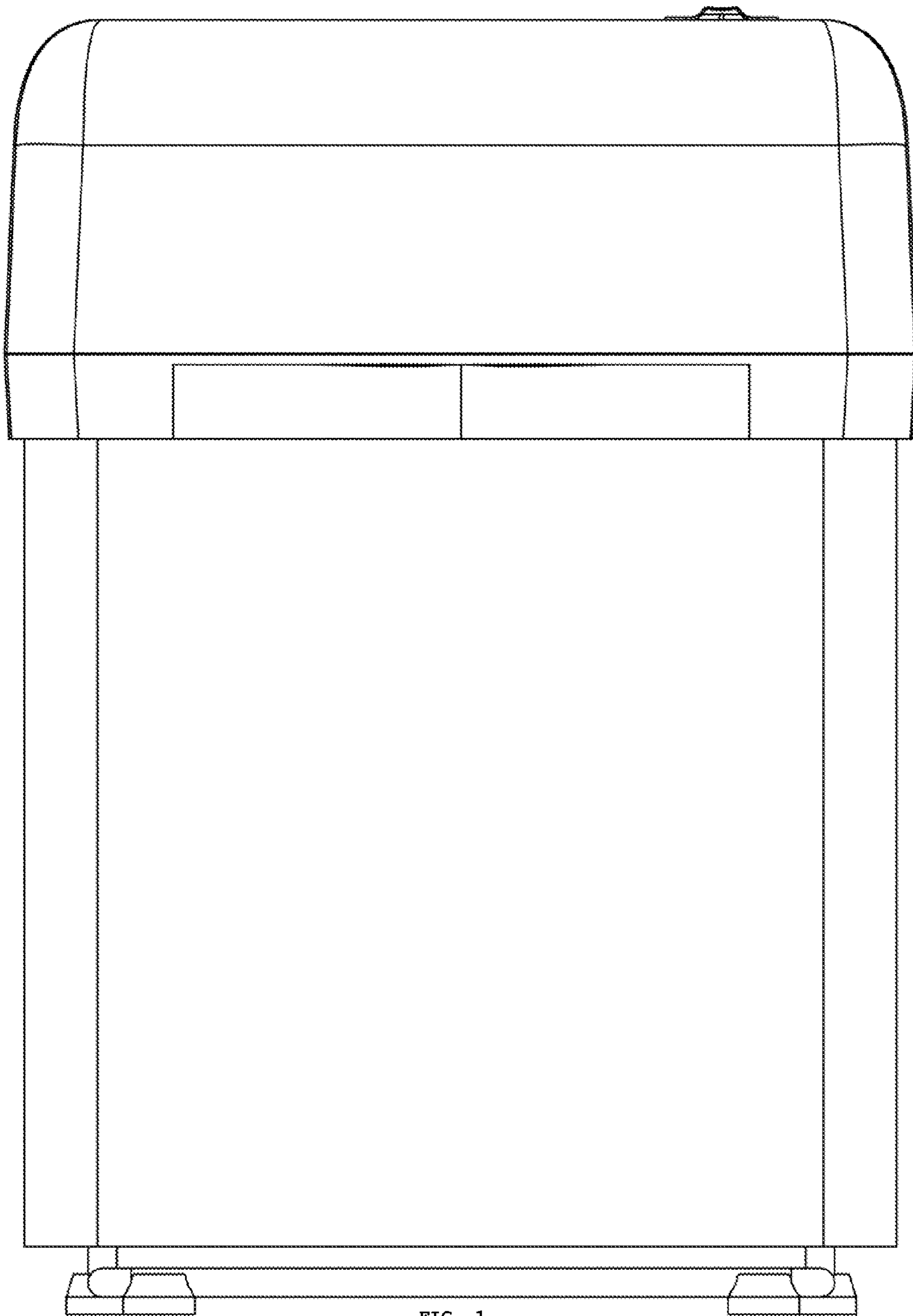


FIG. 1

Front View

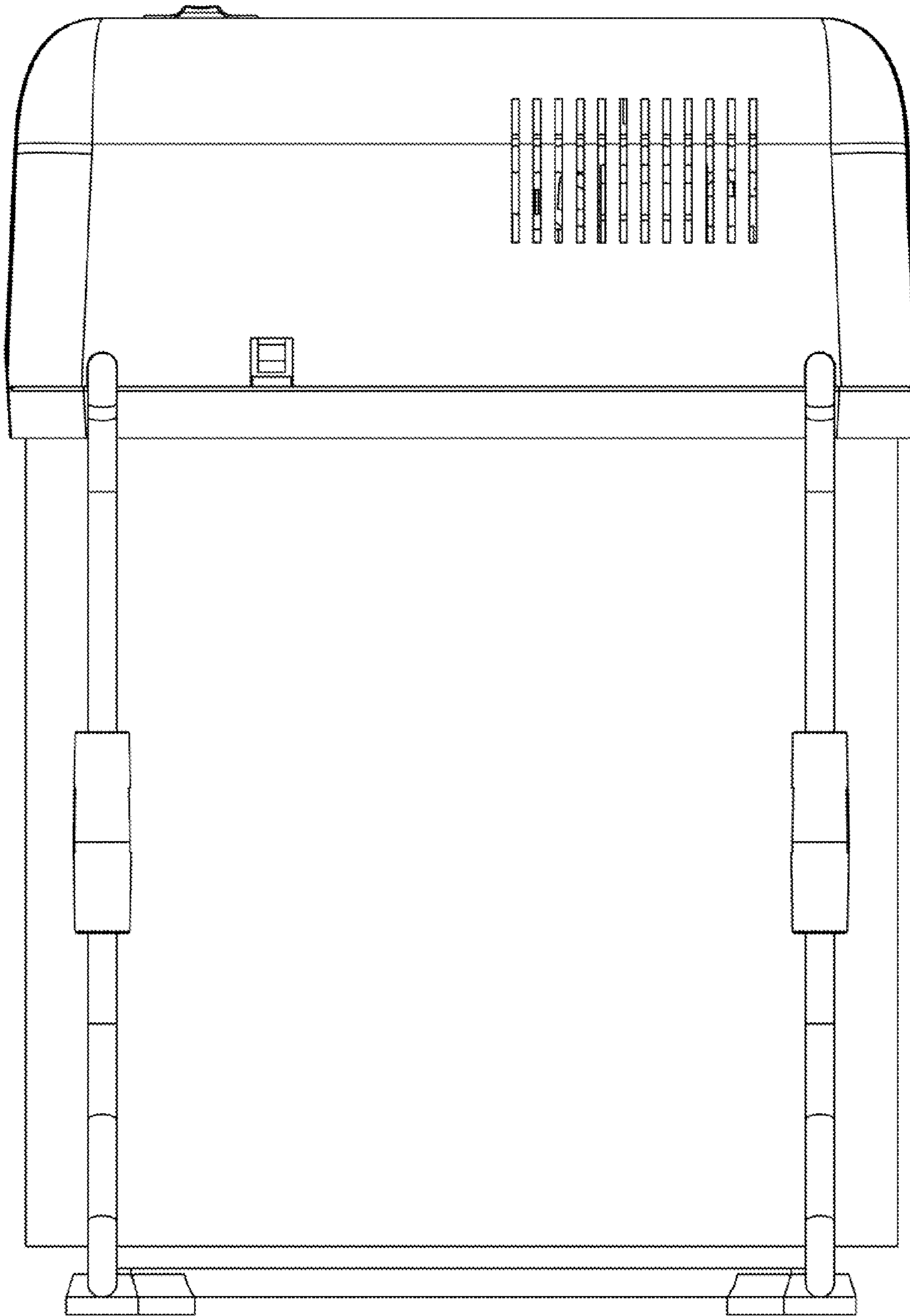


FIG. 2
Back View

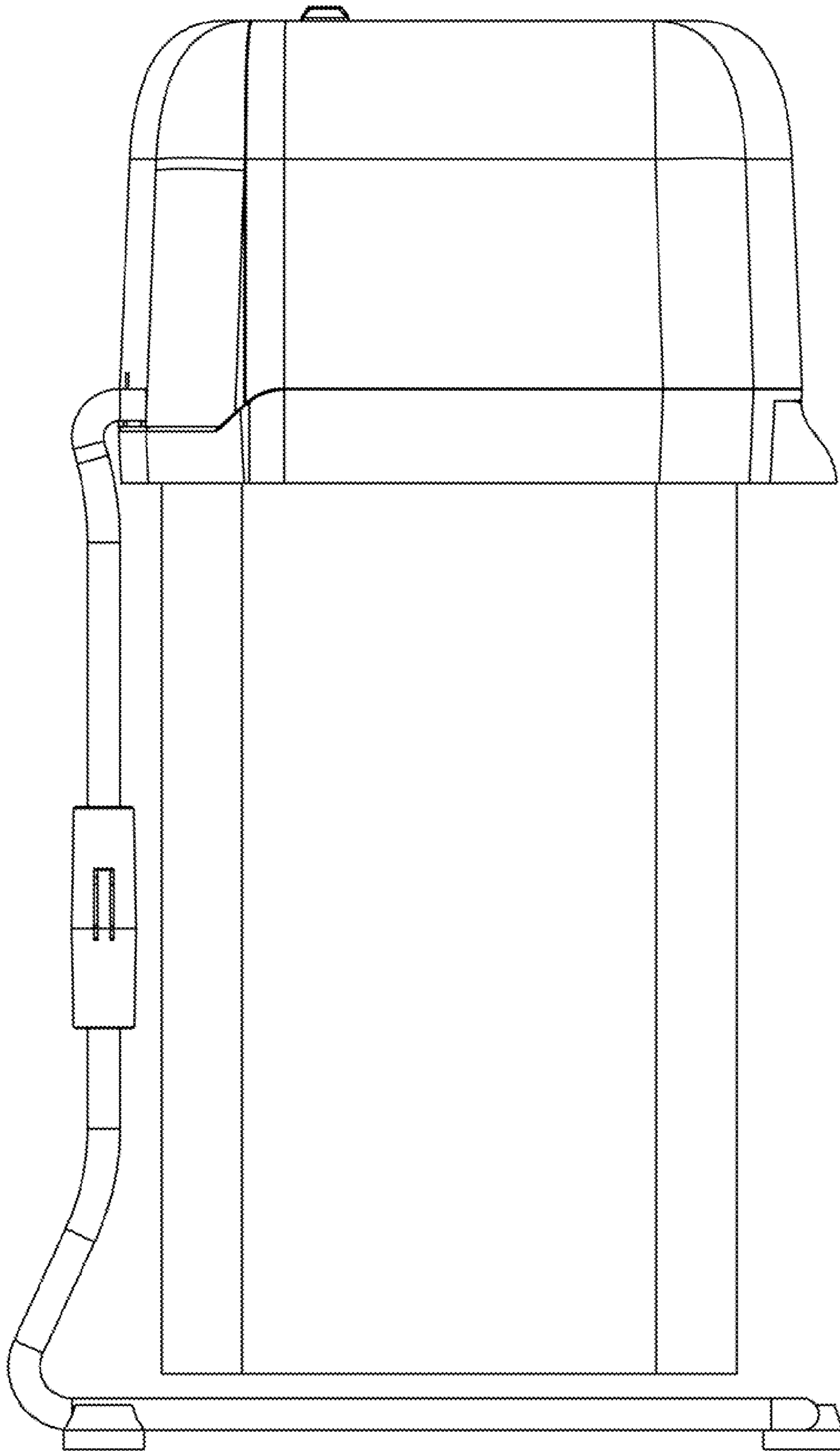


FIG. 3
Left View

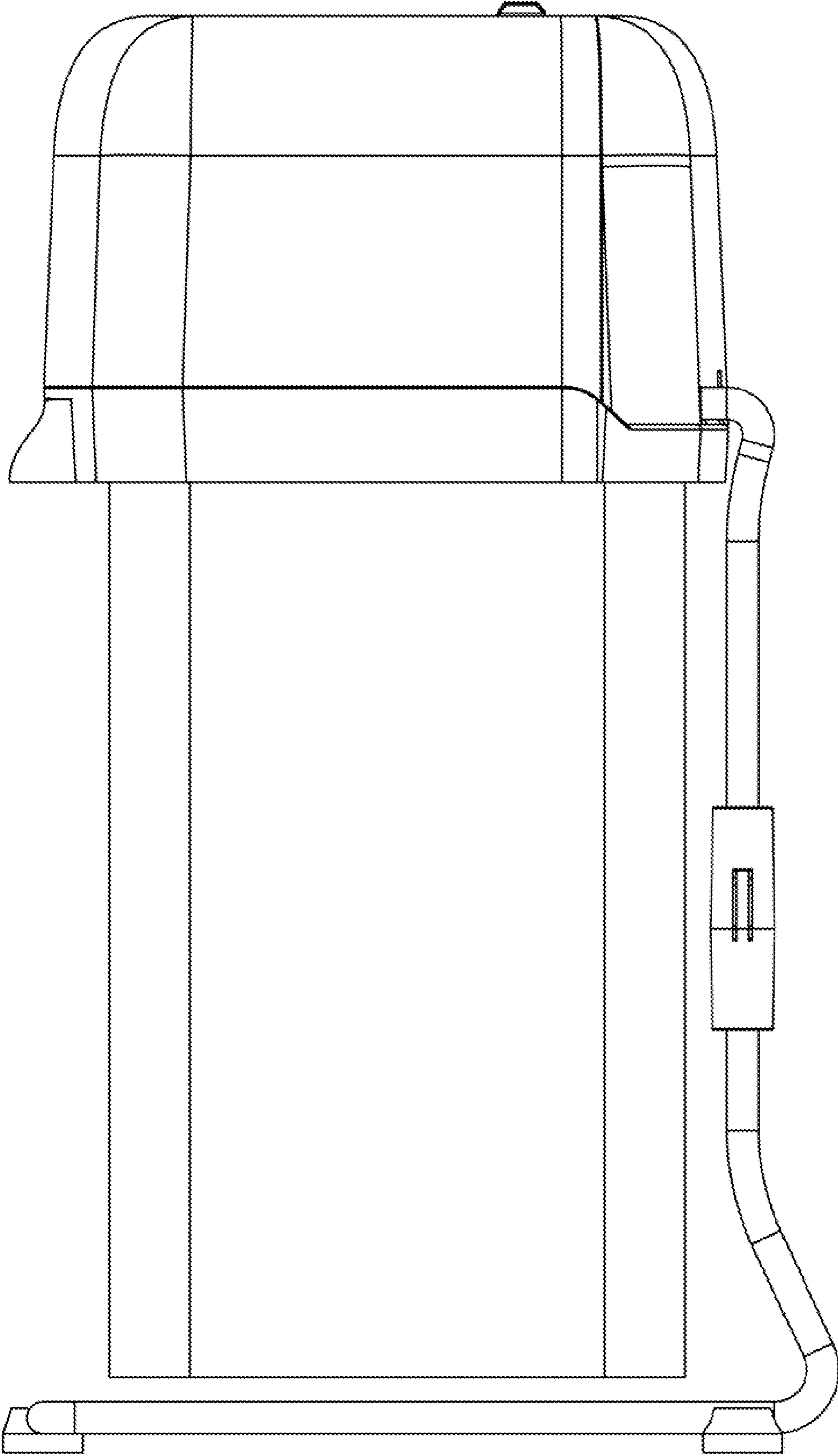


FIG. 4
Right View

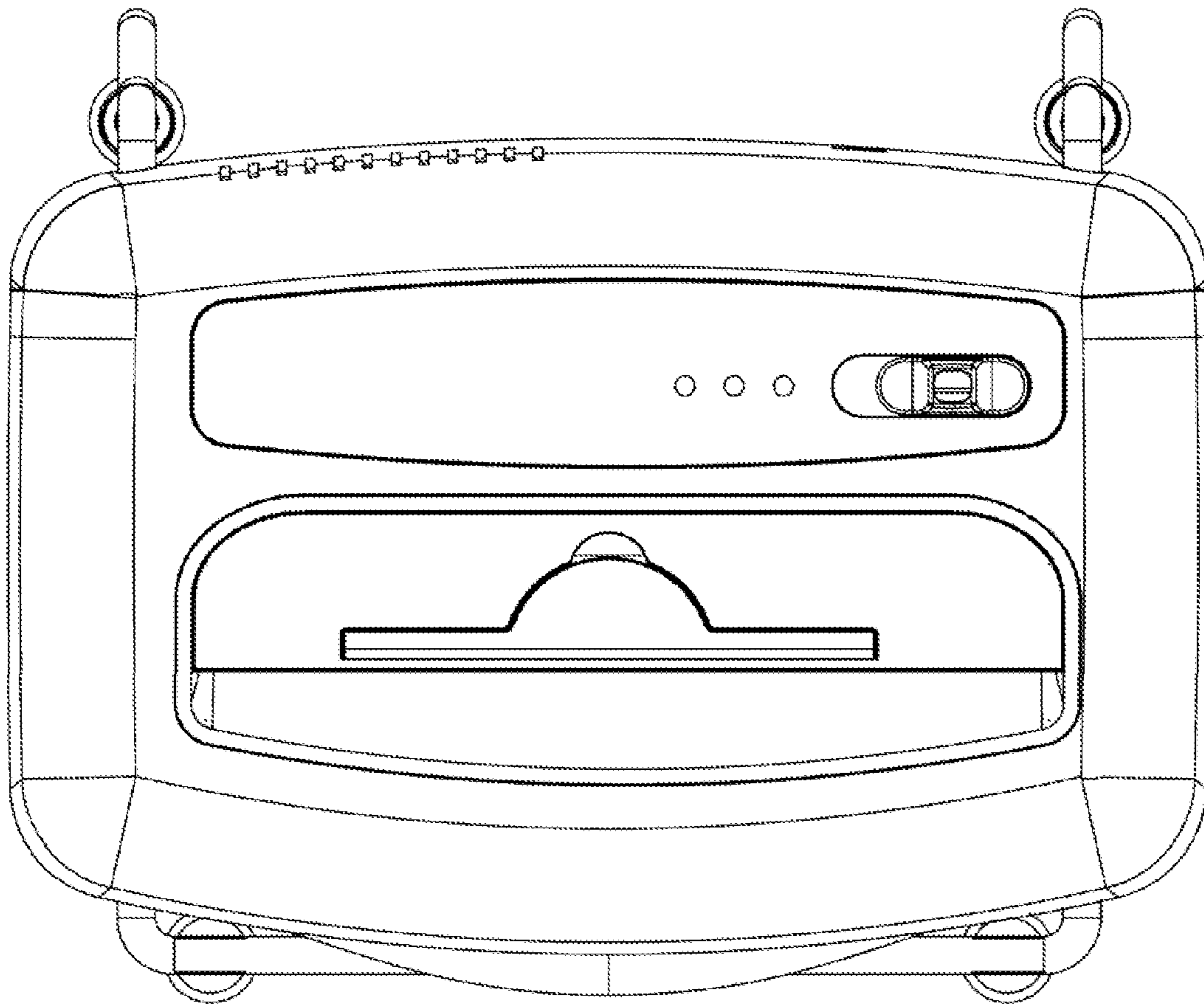
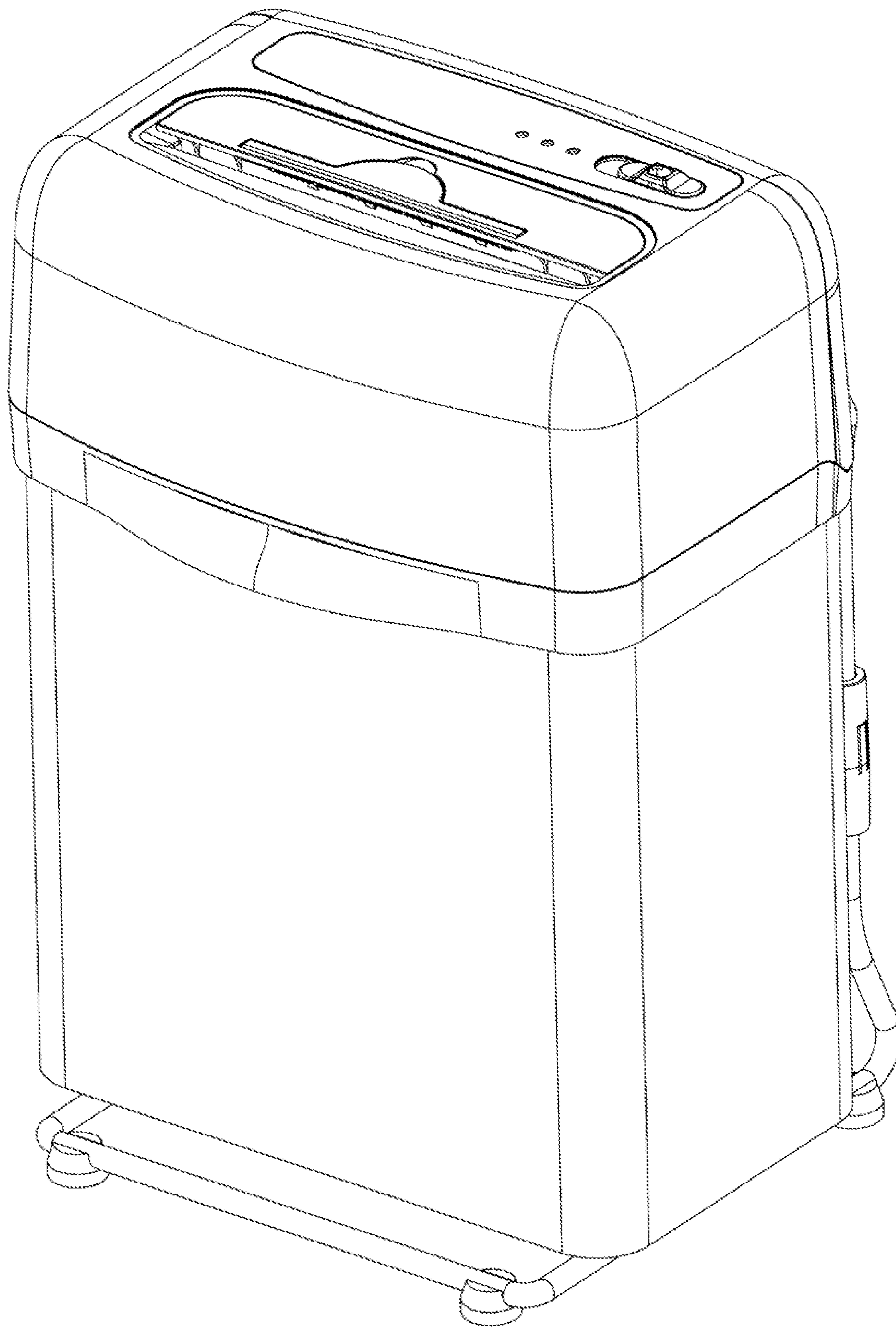


FIG. 5

Top View



Perspective View

FIG. 6