



US00D555715S

(12) **United States Design Patent**
Butler et al.

(10) **Patent No.:** **US D555,715 S**

(45) **Date of Patent:** **** Nov. 20, 2007**

(54) **PICK UP**

2003/0172793 A1* 9/2003 Hori 84/298

(75) Inventors: **Kelly Butler**, Natick, MA (US); **Craig Small**, Hopkinton, MA (US)

* cited by examiner

(73) Assignee: **First Act Inc.**, Boston, MA (US)

Primary Examiner—Ian Simmons

Assistant Examiner—Anna J Burmeister

(**) Term: **14 Years**

(74) *Attorney, Agent, or Firm*—John E. Toupal; Harold G. Jarcho

(21) Appl. No.: **29/234,460**

(57) **CLAIM**

(22) Filed: **Jul. 20, 2005**

The ornamental design for a pick up, as shown and described.

(51) **LOC (8) Cl.** **17-01**

(52) **U.S. Cl.** **D17/20**

(58) **Field of Classification Search** D17/20–21,
D17/99; 84/730, 209, 298–299, 307
See application file for complete search history.

DESCRIPTION

FIG. 1 is a top, front, and right side perspective view of a pick up showing our new design;

FIG. 2 is a top plan view thereof;

FIG. 3 is a front elevational view thereof;

FIG. 4 is a rear elevational view thereof; and,

FIG. 5 is a right side elevational view thereof, where in the left side elevational view is a mirror image.

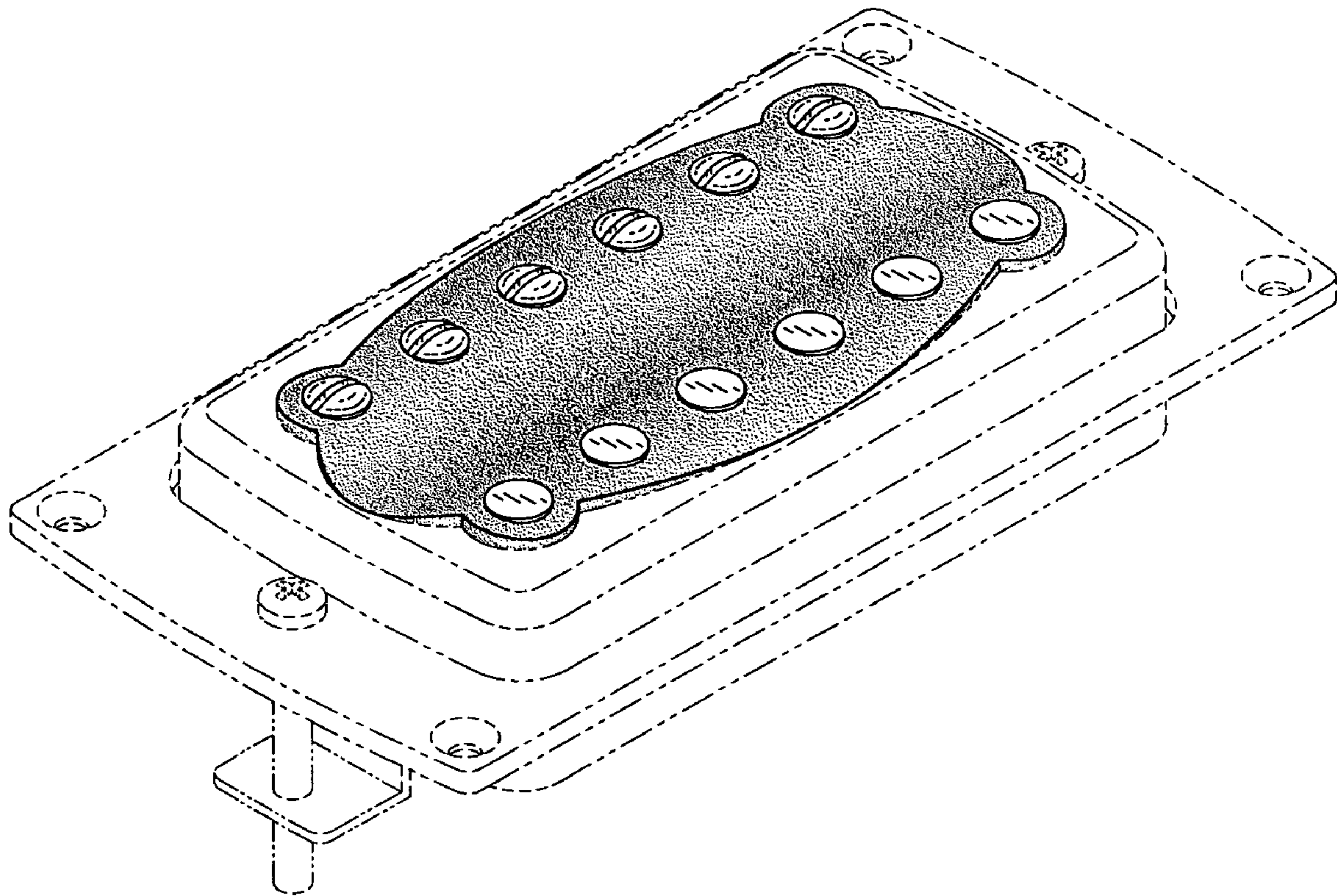
The broken lines shown in the drawings are for illustrative purposes only and form no part of the claimed design.

(56) **References Cited**

U.S. PATENT DOCUMENTS

D28,507 S *	4/1898	Son	D17/21
D244,051 S *	4/1977	Podunavac	D17/21
D355,207 S *	2/1995	Beller	D17/20
D400,564 S *	11/1998	Ferguson	D17/21
D444,806 S *	7/2001	Park	D17/21
D535,321 S *	1/2007	Butler et al.	D17/20

1 Claim, 2 Drawing Sheets



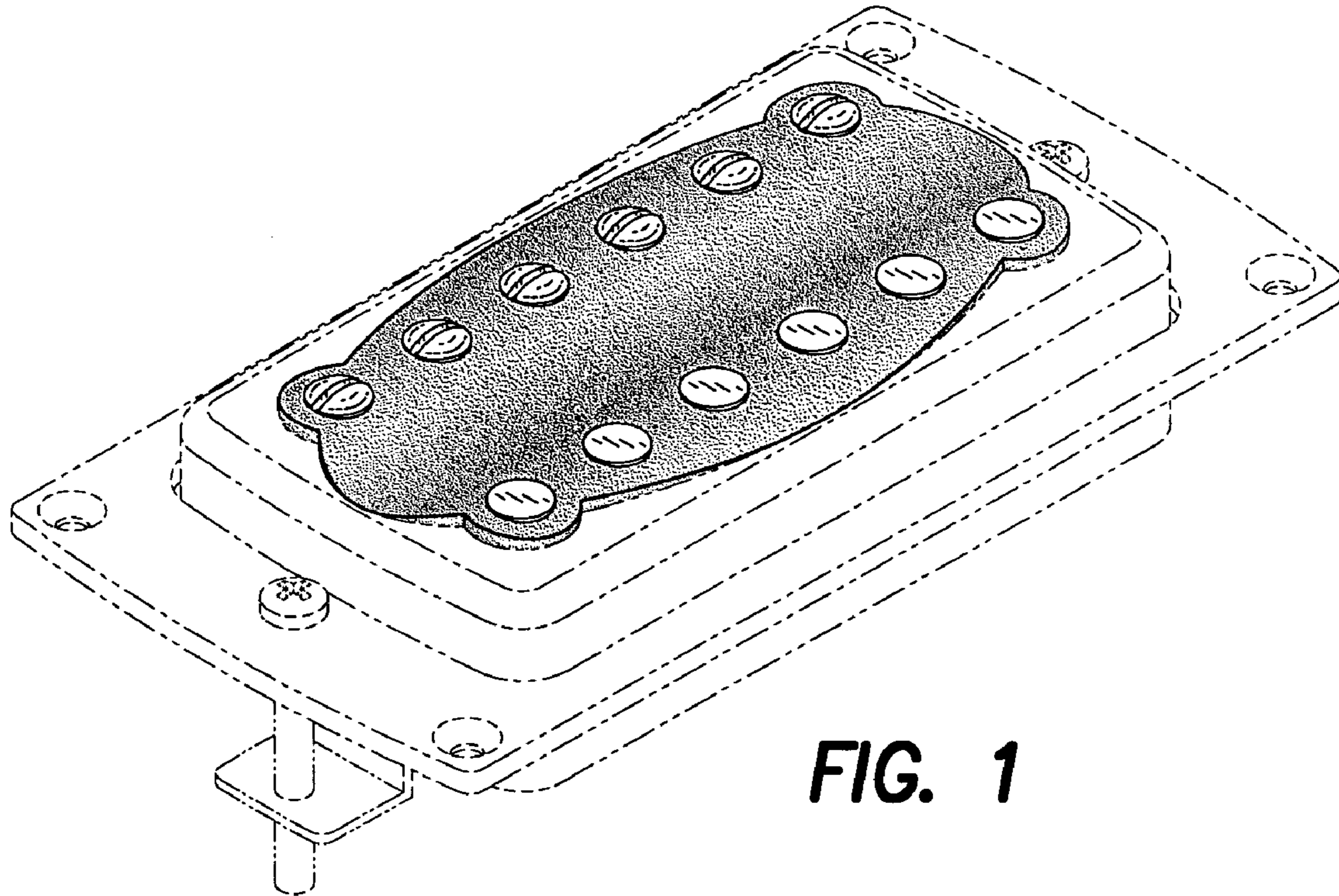


FIG. 1

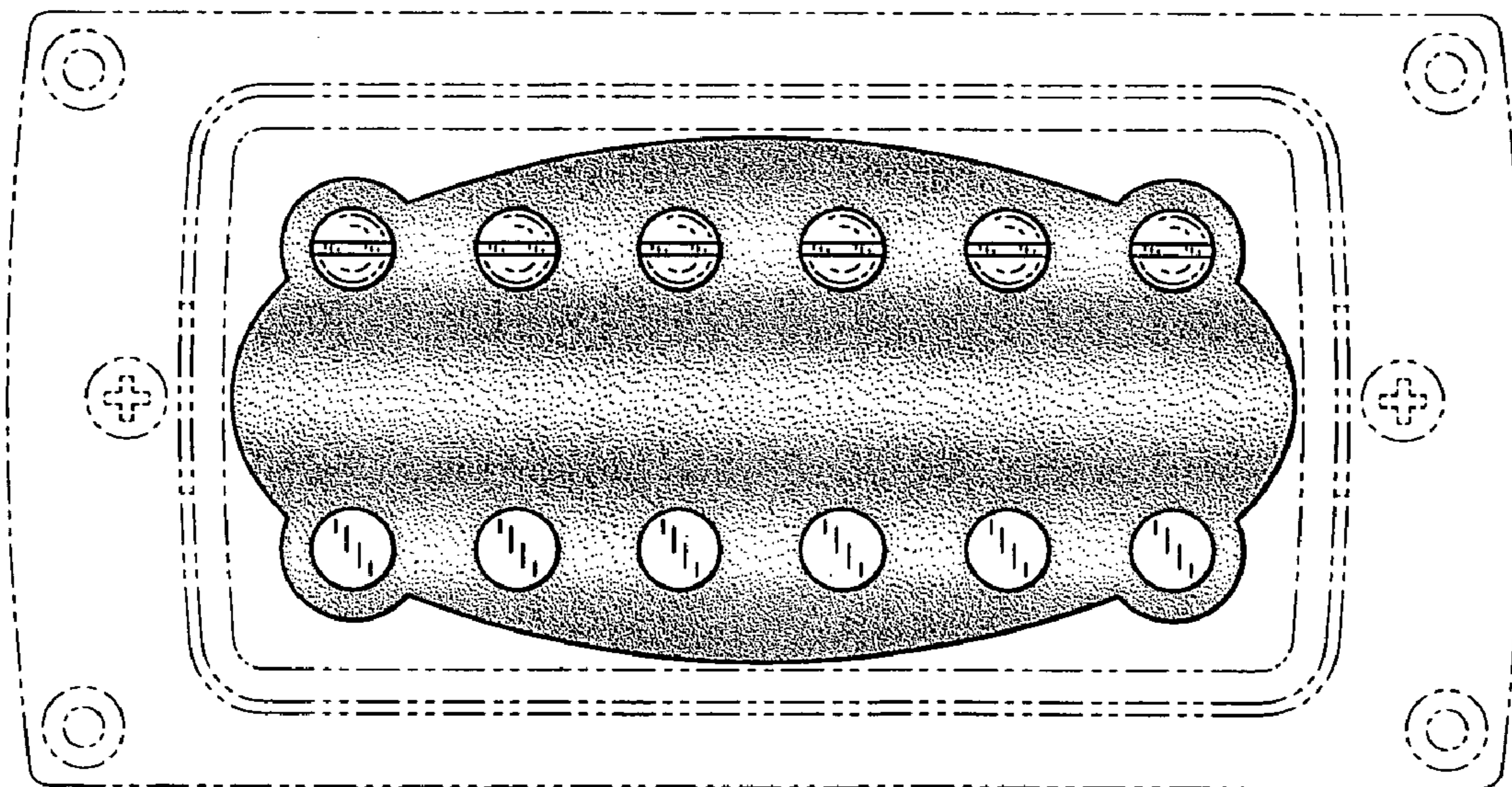


FIG. 2

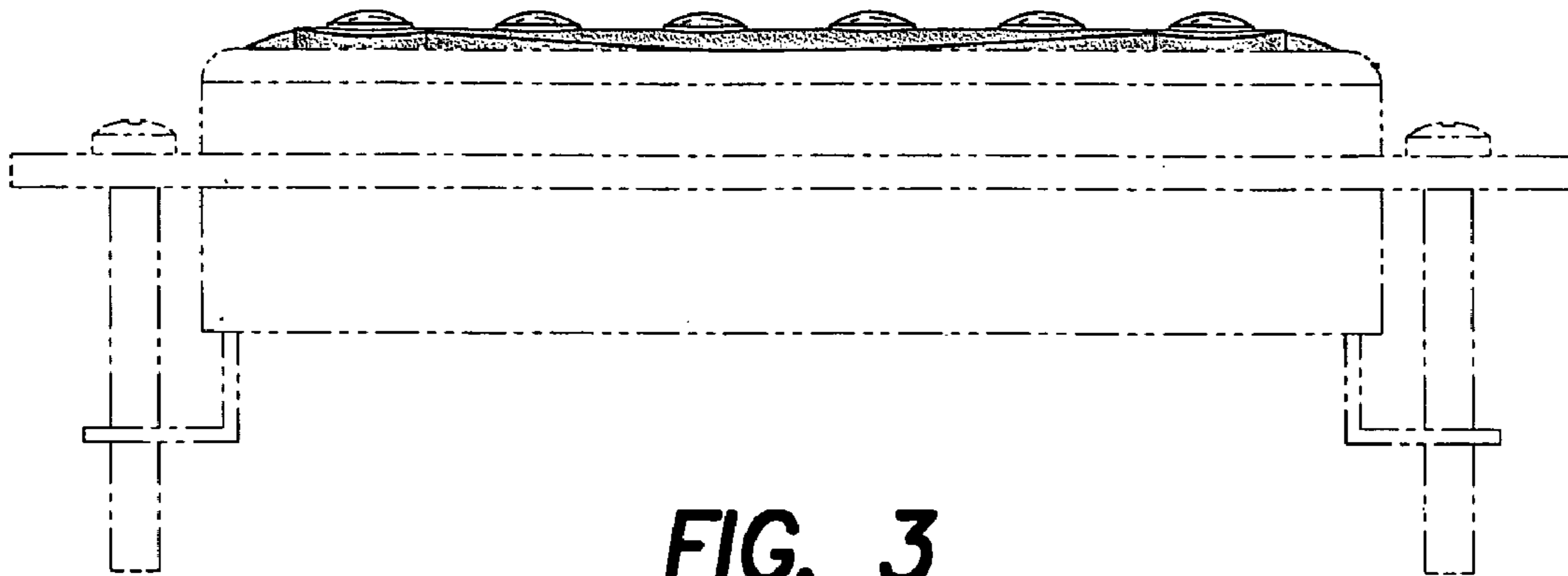


FIG. 3

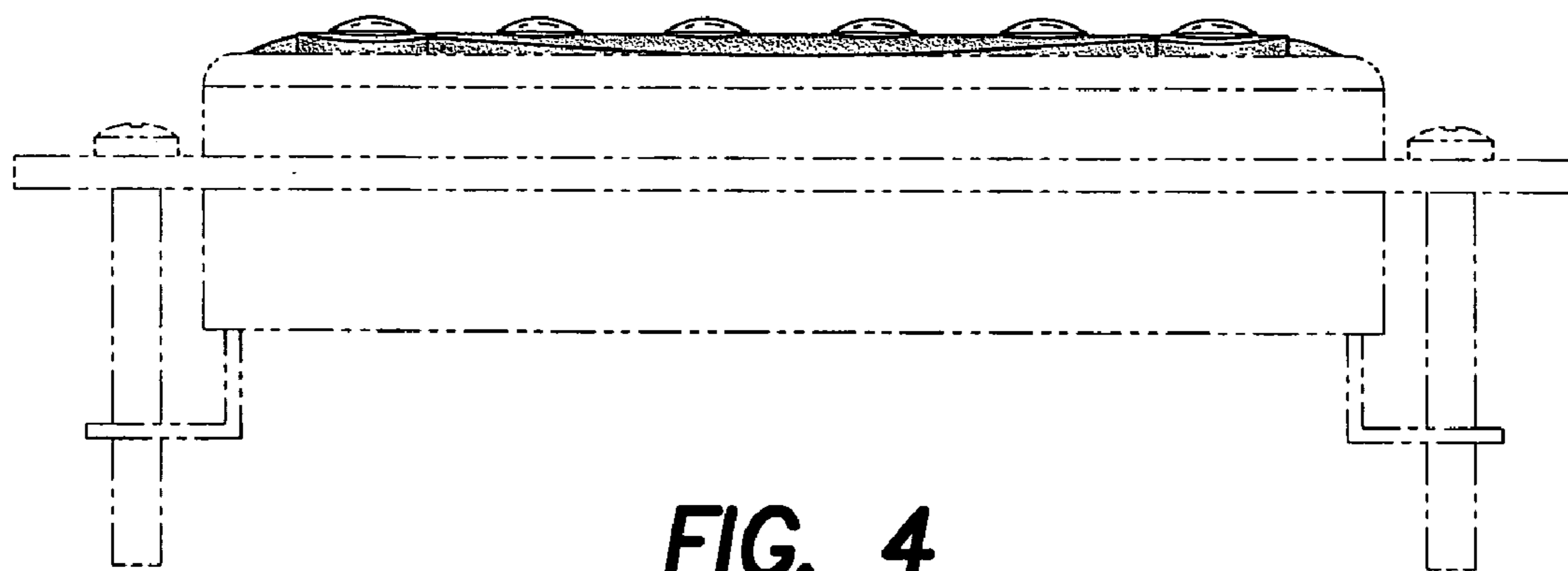


FIG. 4

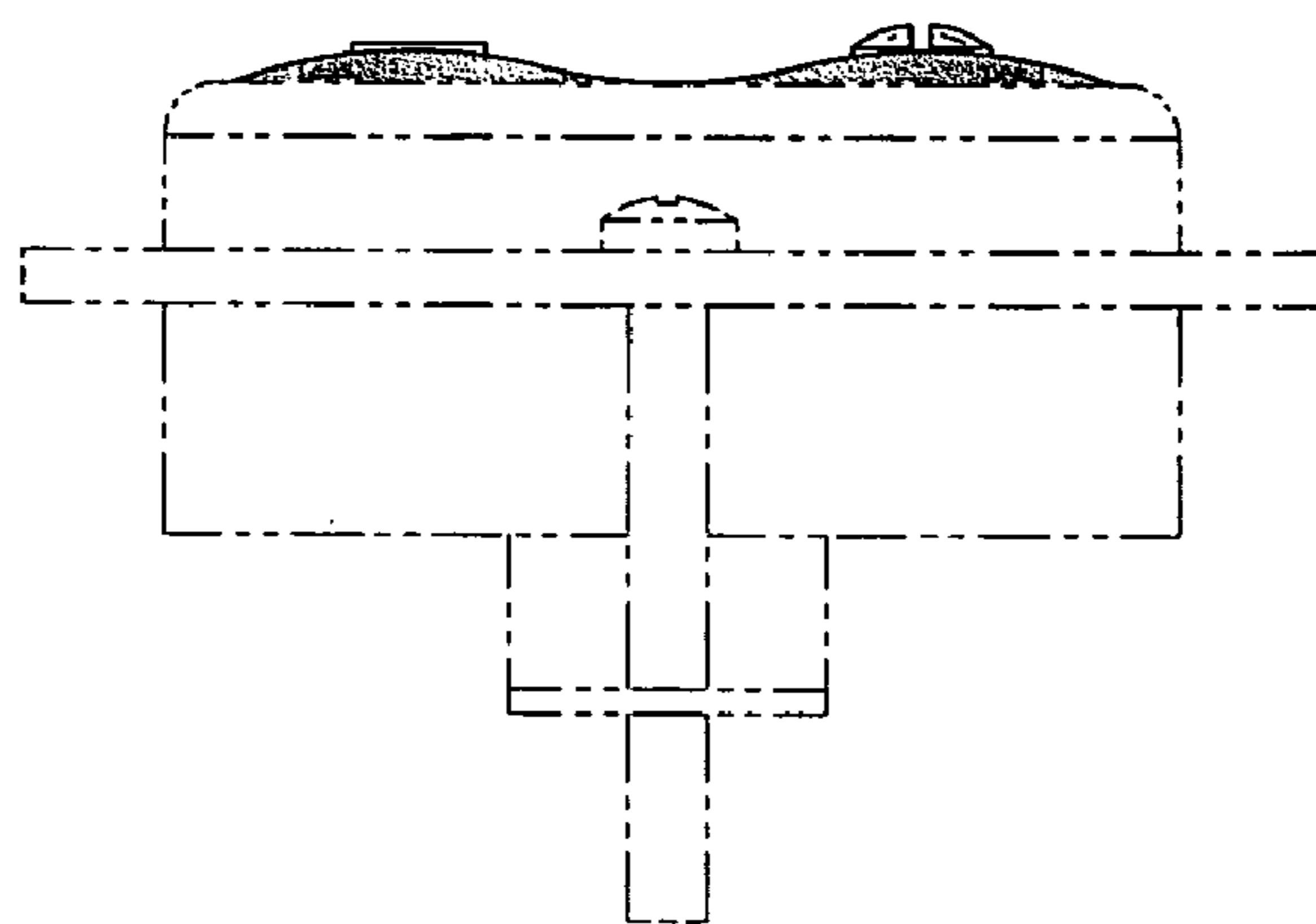


FIG. 5