



US00D555714S

(12) **United States Design Patent** (10) **Patent No.:** **US D555,714 S**
Katsumata et al. (45) **Date of Patent:** **** Nov. 20, 2007**

(54) **ELECTRONIC PIANO**

(75) Inventors: **Yoshihiro Katsumata**, Hamamatsu (JP); **Enrico Bergese**, Hamamatsu (JP)

(73) Assignee: **Yamaha Corporation**, Shizuoka (JP)

(**) Term: **14 Years**

(21) Appl. No.: **29/261,656**

(22) Filed: **Jun. 19, 2006**

(30) **Foreign Application Priority Data**

Jan. 18, 2006 (JP) 2006-000800

(51) **LOC (8) Cl.** **17-01**

(52) **U.S. Cl.** **D17/7**

(58) **Field of Classification Search** D17/1, D17/2, 7, 9; 84/13, 17, 172, 174, 176, 423 R, 84/719, 720, 743-745, 177-181, DIG. 3
See application file for complete search history.

(56) **References Cited**

U.S. PATENT DOCUMENTS

D2,822 S *	11/1867	Lomas	D17/7
D100,427 S *	7/1936	Jacob	D17/7
2,249,978 A *	7/1941	Pfaff	84/177
3,577,823 A *	5/1971	Pavia	84/174
D255,366 S *	6/1980	Karaki et al.	D17/8
4,361,067 A *	11/1982	Ishii	84/633
4,419,921 A *	12/1983	Simanski	84/467
5,031,500 A *	7/1991	Koike et al.	84/600

D322,086 S *	12/1991	Yamawaki et al.	D17/7
D369,378 S *	4/1996	Okamura	D17/7
D499,443 S *	12/2004	Ohno	D17/7
2007/0017337 A1 *	1/2007	Sugimoto et al.	84/423 R

FOREIGN PATENT DOCUMENTS

JP 2005338284 A * 12/2005

* cited by examiner

Primary Examiner—Ian Simmons

Assistant Examiner—R. Johnson

(74) *Attorney, Agent, or Firm*—Sughrue Mion, PLLC

(57) **CLAIM**

The ornamental design for an electronic piano, as shown and described.

DESCRIPTION

FIG. 1 is a perspective view of the top, front and left side of an electronic piano showing our new design;

FIG. 2 is a front elevational view thereof;

FIG. 3 is a rear elevational view thereof;

FIG. 4 is a left side elevational view thereof;

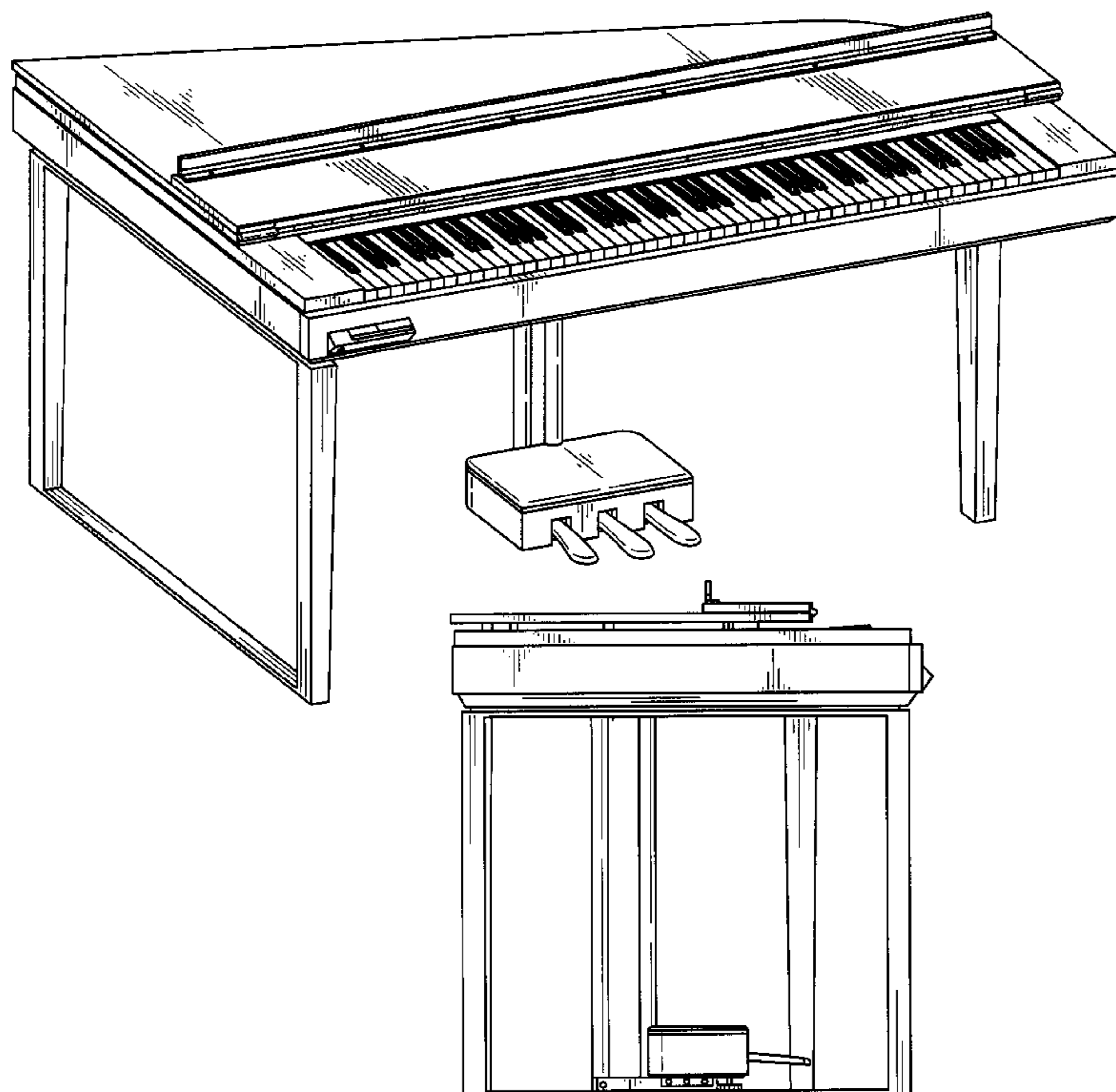
FIG. 5 is a right side elevational view thereof;

FIG. 6 is a top plan view thereof;

FIG. 7 is a bottom plan view thereof; and,

FIG. 8 is a perspective view thereof with the keyboard cover closed.

1 Claim, 7 Drawing Sheets



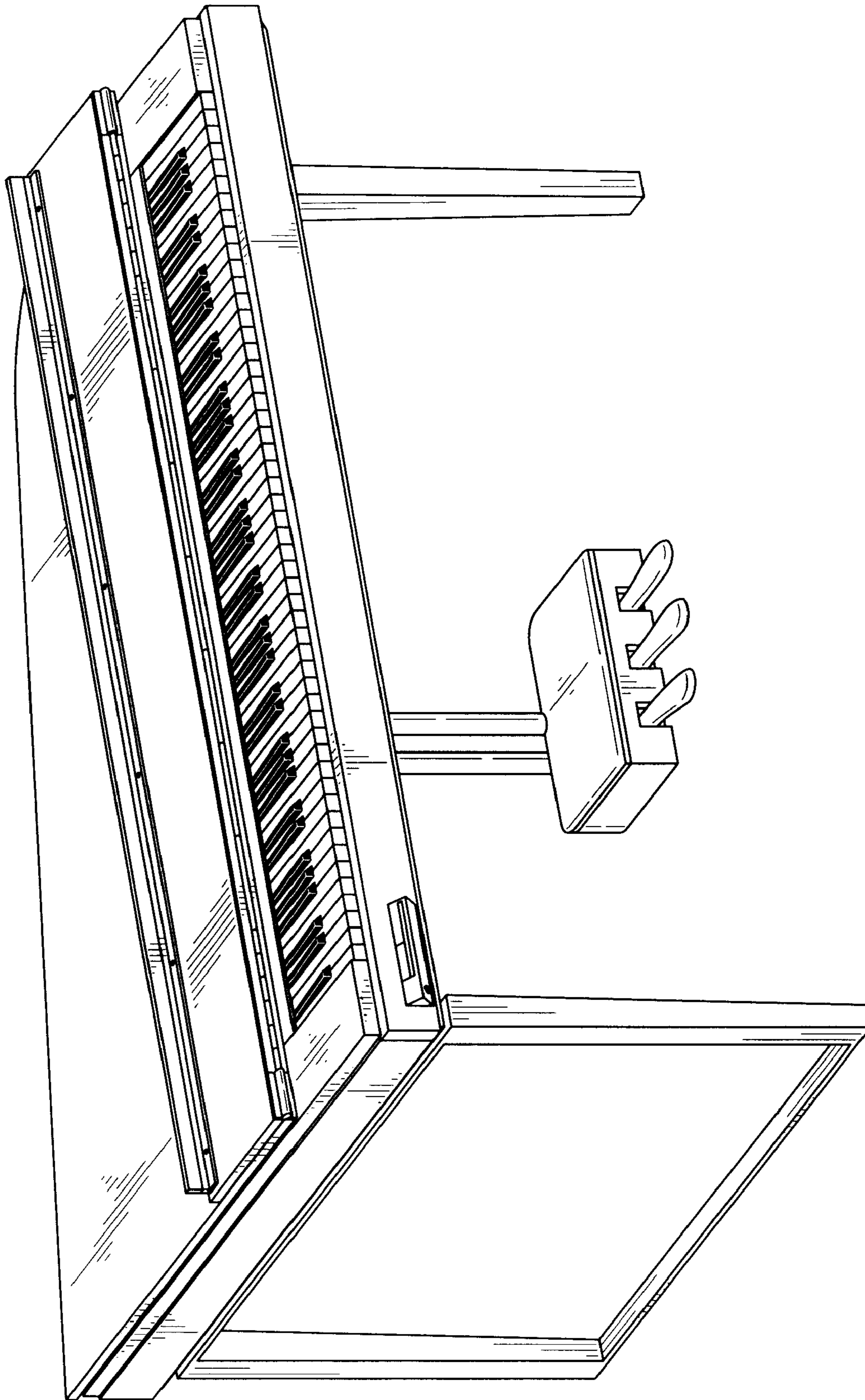


FIG. 1

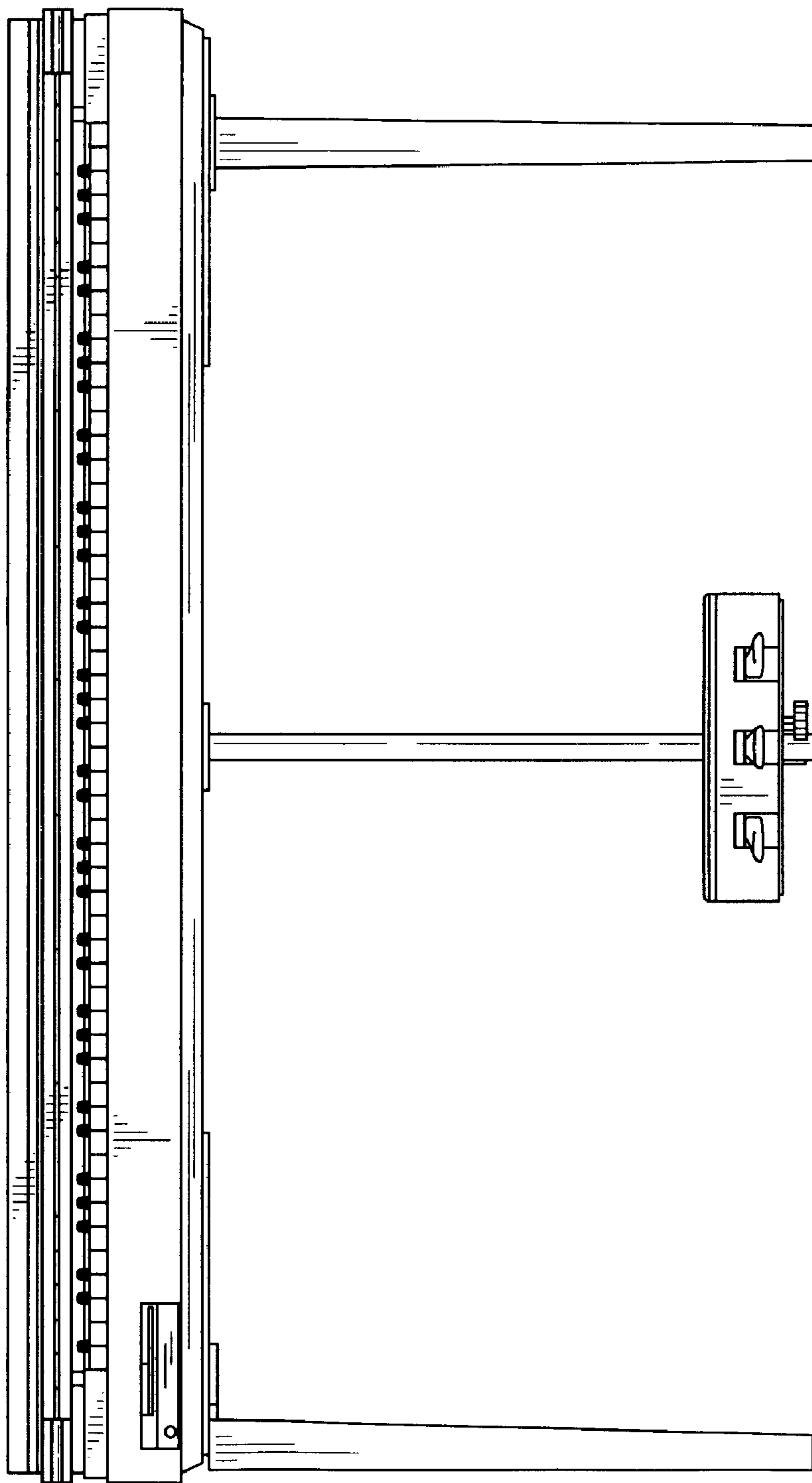


FIG. 2

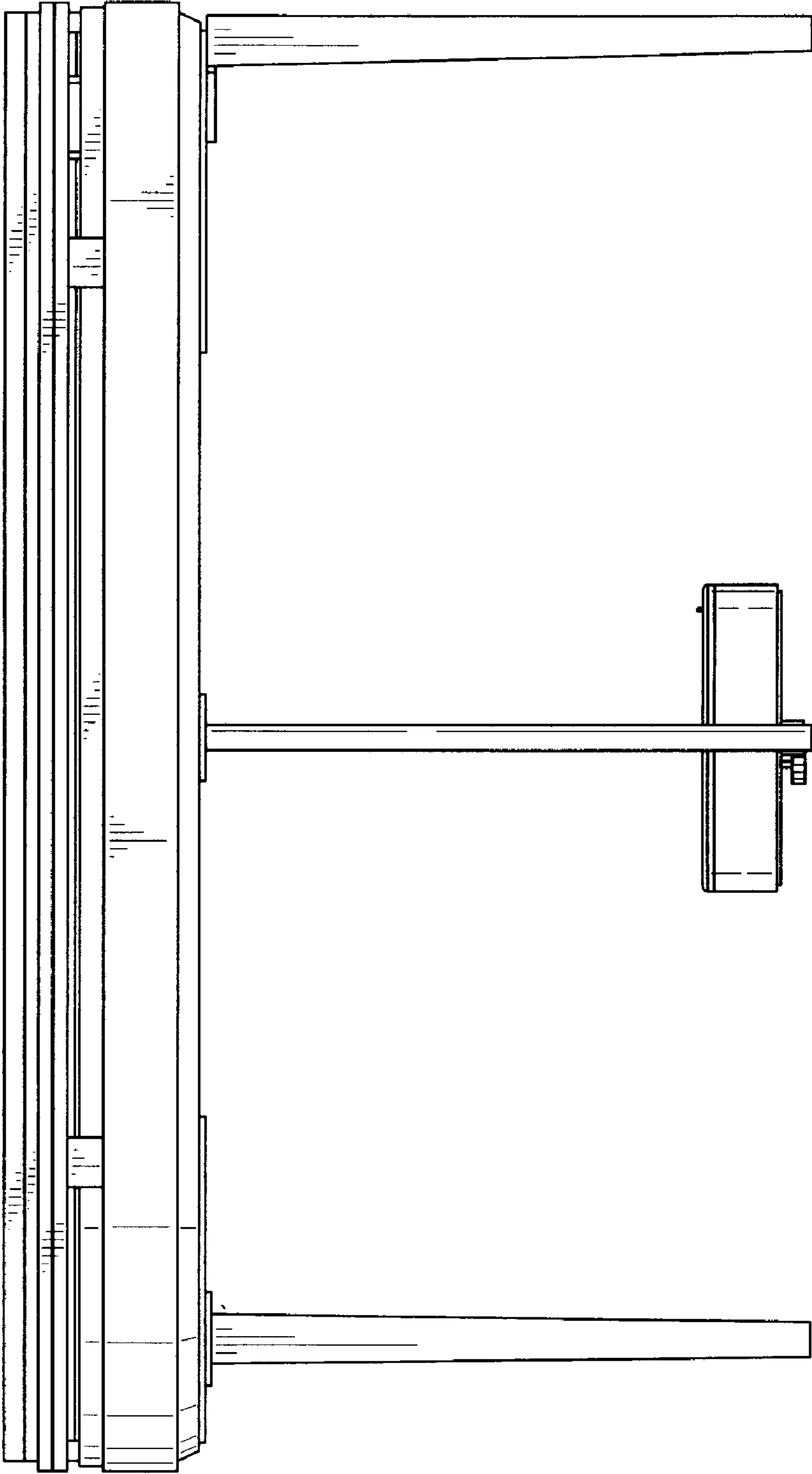


FIG. 3

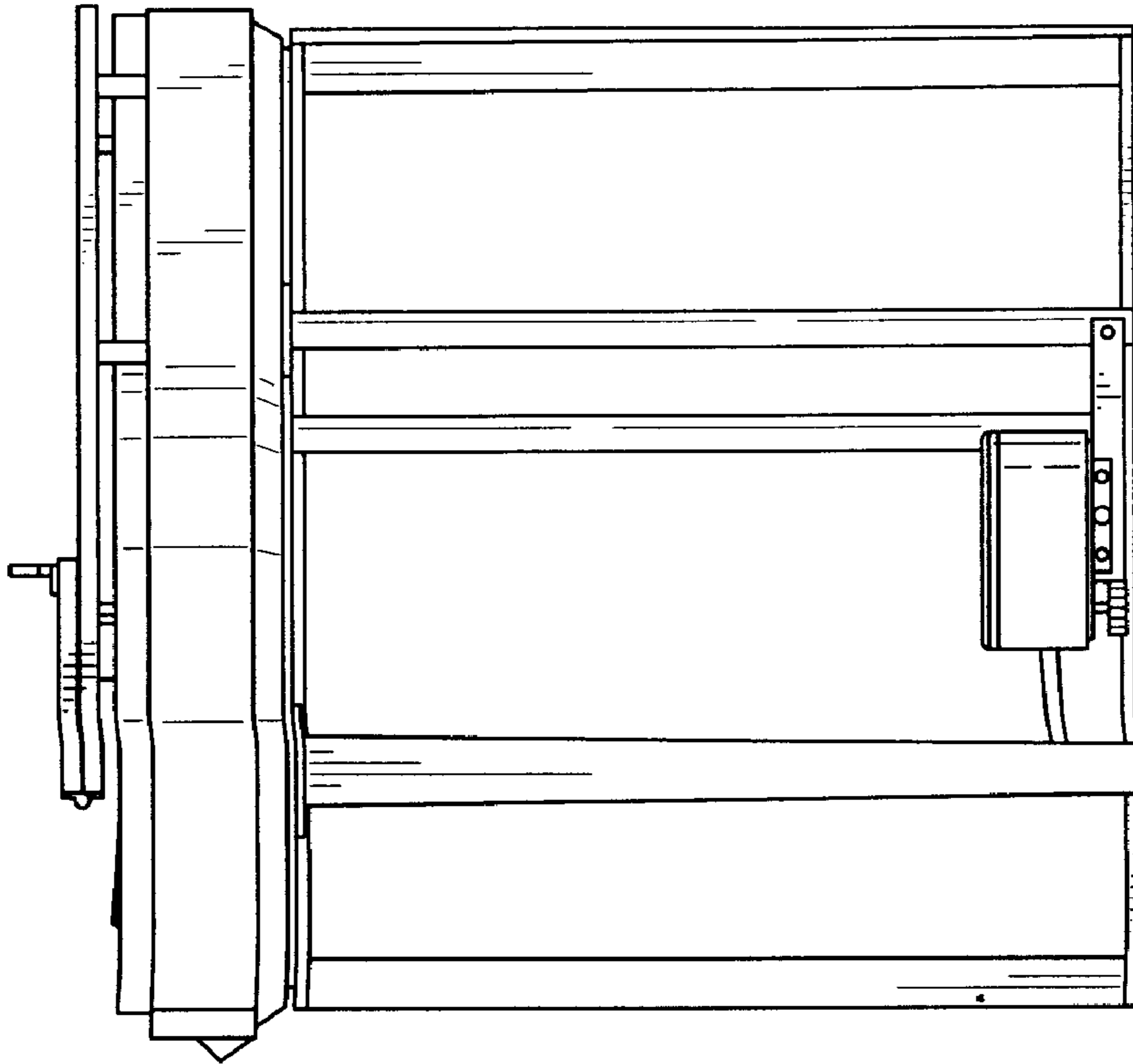


FIG. 5

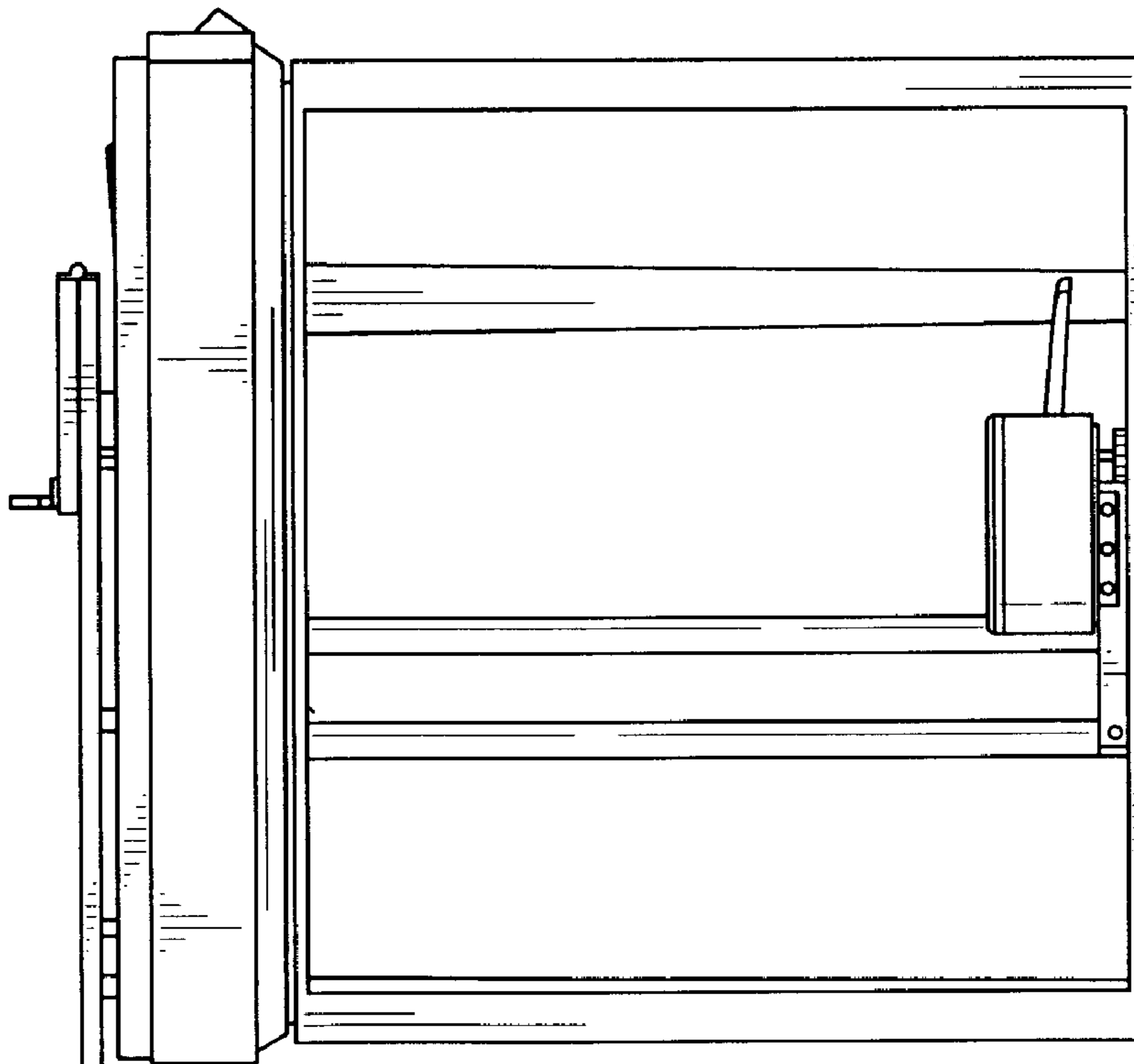


FIG. 4

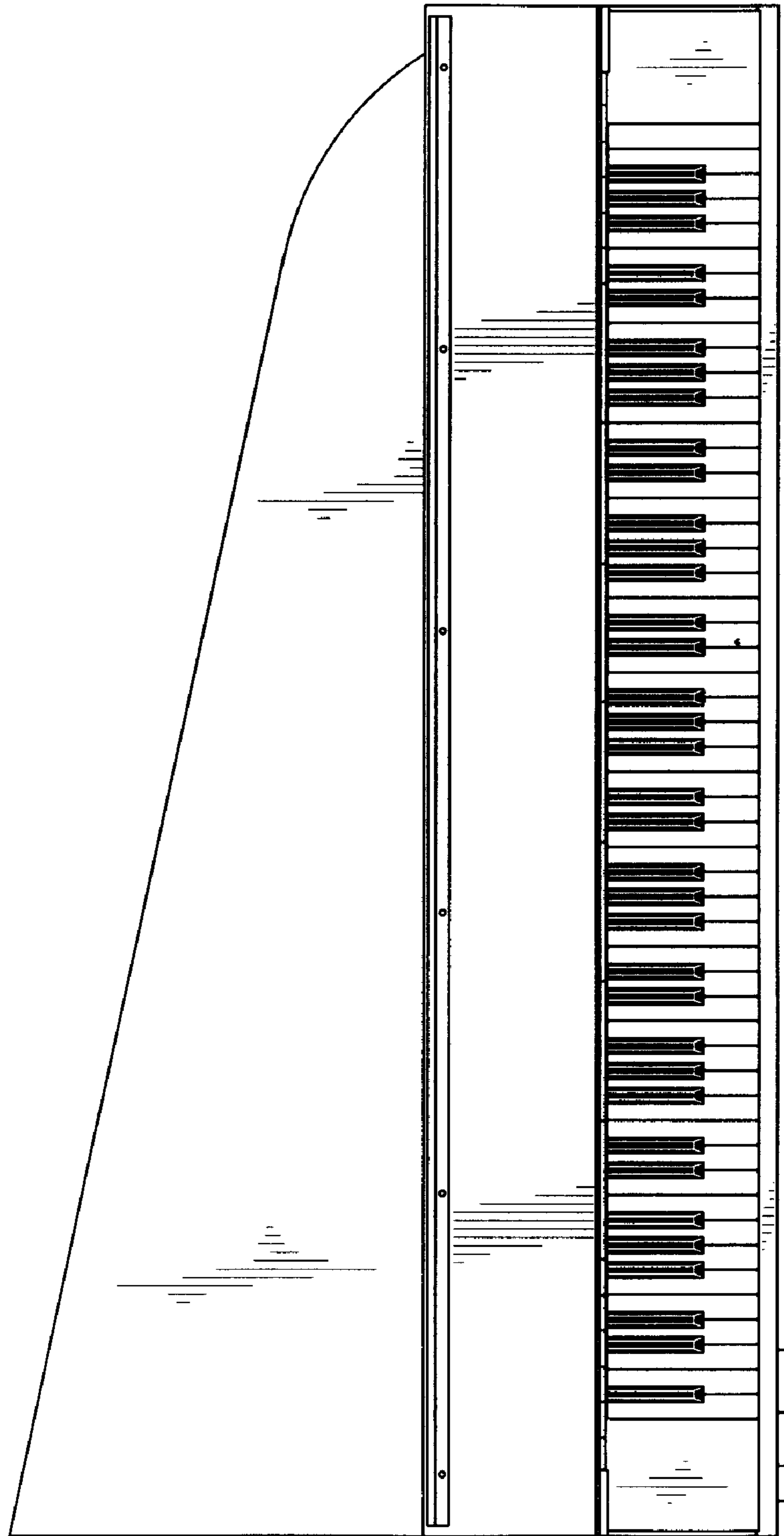


FIG. 6

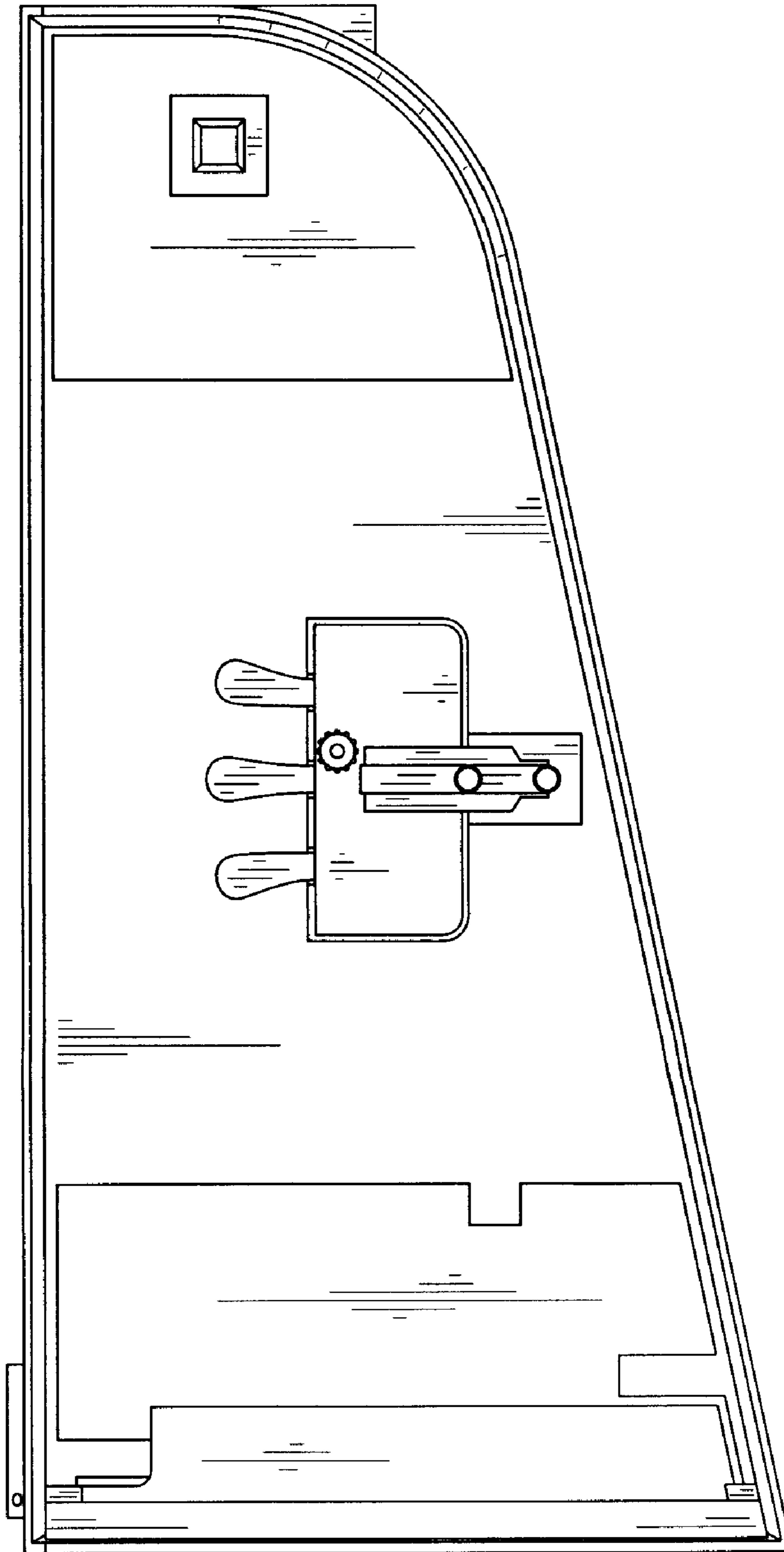


FIG. 7

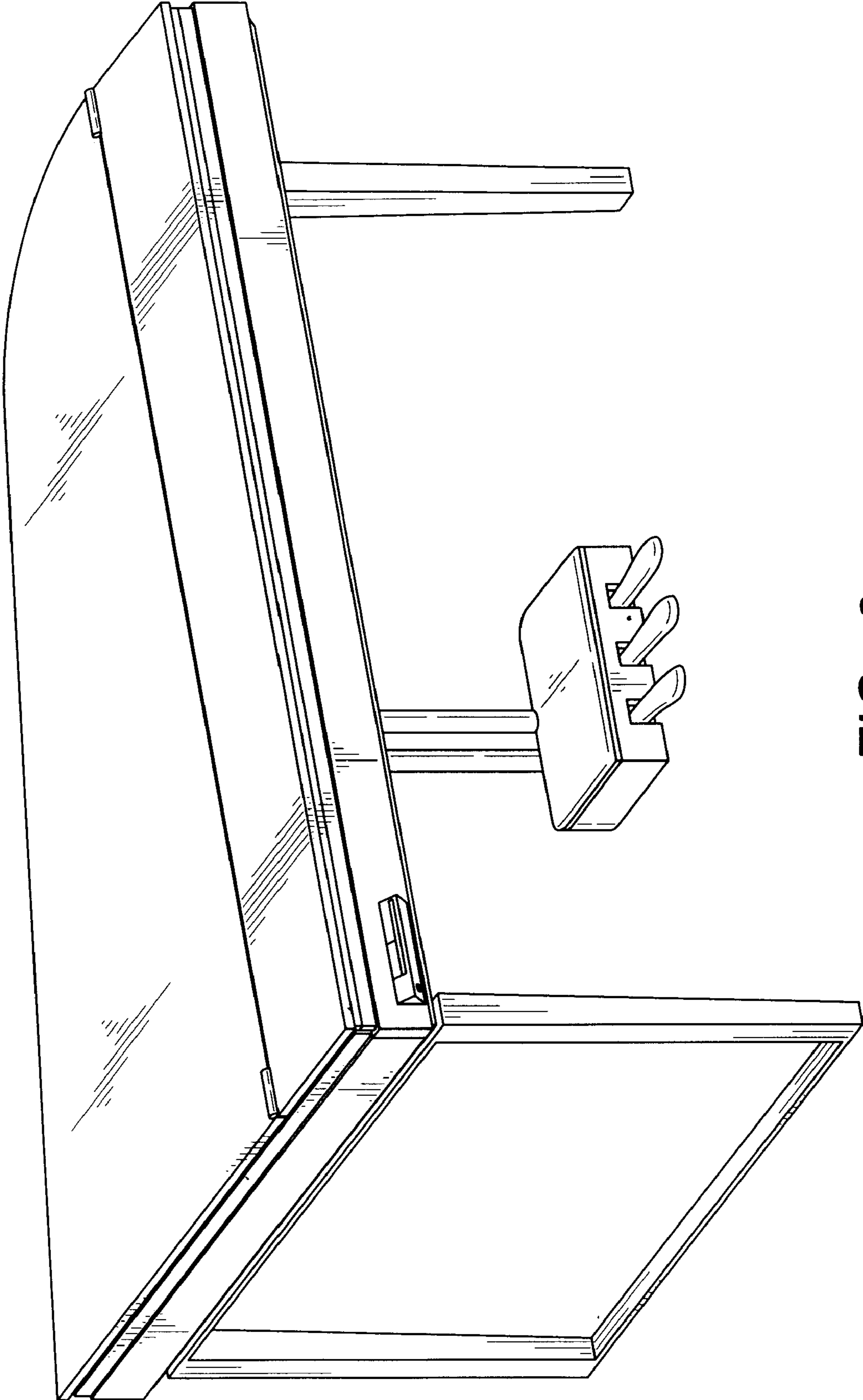


FIG. 8