



US00D555713S

(12) **United States Design Patent**
Mikage

(10) **Patent No.:** **US D555,713 S**

(45) **Date of Patent:** **** Nov. 20, 2007**

(54) **ELECTRONIC PIANO**

(75) Inventor: **Yukinori Mikage**, Hamamatsu (JP)

(73) Assignee: **Yamaha Corporation**, Shizuoka (JP)

(**) Term: **14 Years**

(21) Appl. No.: **29/234,542**

(22) Filed: **Jul. 20, 2005**

(30) **Foreign Application Priority Data**

Mar. 23, 2005 (JP) 2005-008446

(51) **LOC (8) Cl.** **17-01**

(52) **U.S. Cl.** **D17/7; D17/9**

(58) **Field of Classification Search** D17/1,
D17/2, 7, 9; 84/13, 17, 172, 174, 176, 423 R,
84/719, 720, 743-745, 171-181, DIG. 3;
248/441.1

See application file for complete search history.

(56) **References Cited**

U.S. PATENT DOCUMENTS

D113,628 S *	3/1939	Gugler	D17/7
D170,363 S *	9/1953	Palma, Jr.	D17/7
D192,128 S *	1/1962	Pollack	D17/7
D248,993 S *	8/1978	Oliver et al.	D17/9
D322,089 S *	12/1991	Orris	D17/8
D372,728 S *	8/1996	Mizushima	D17/7

D386,514 S *	11/1997	Nakada et al.	D17/7
D499,443 S *	12/2004	Ohno	D17/7
2006/0070509 A1 *	4/2006	Nakaya	84/472
2007/0012162 A1 *	1/2007	Saito	84/478

* cited by examiner

Primary Examiner—Ian Simmons

Assistant Examiner—R. Johnson

(74) *Attorney, Agent, or Firm*—Sughrue Mion Pllc.

(57) **CLAIM**

The ornamental design for an electronic piano, as shown and described.

DESCRIPTION

FIG. 1 is a perspective view of the top, front and left side of an electronic piano showing my new design;

FIG. 2 is a front elevational view thereof;

FIG. 3 is a rear elevational view thereof;

FIG. 4 is a left side elevational view thereof;

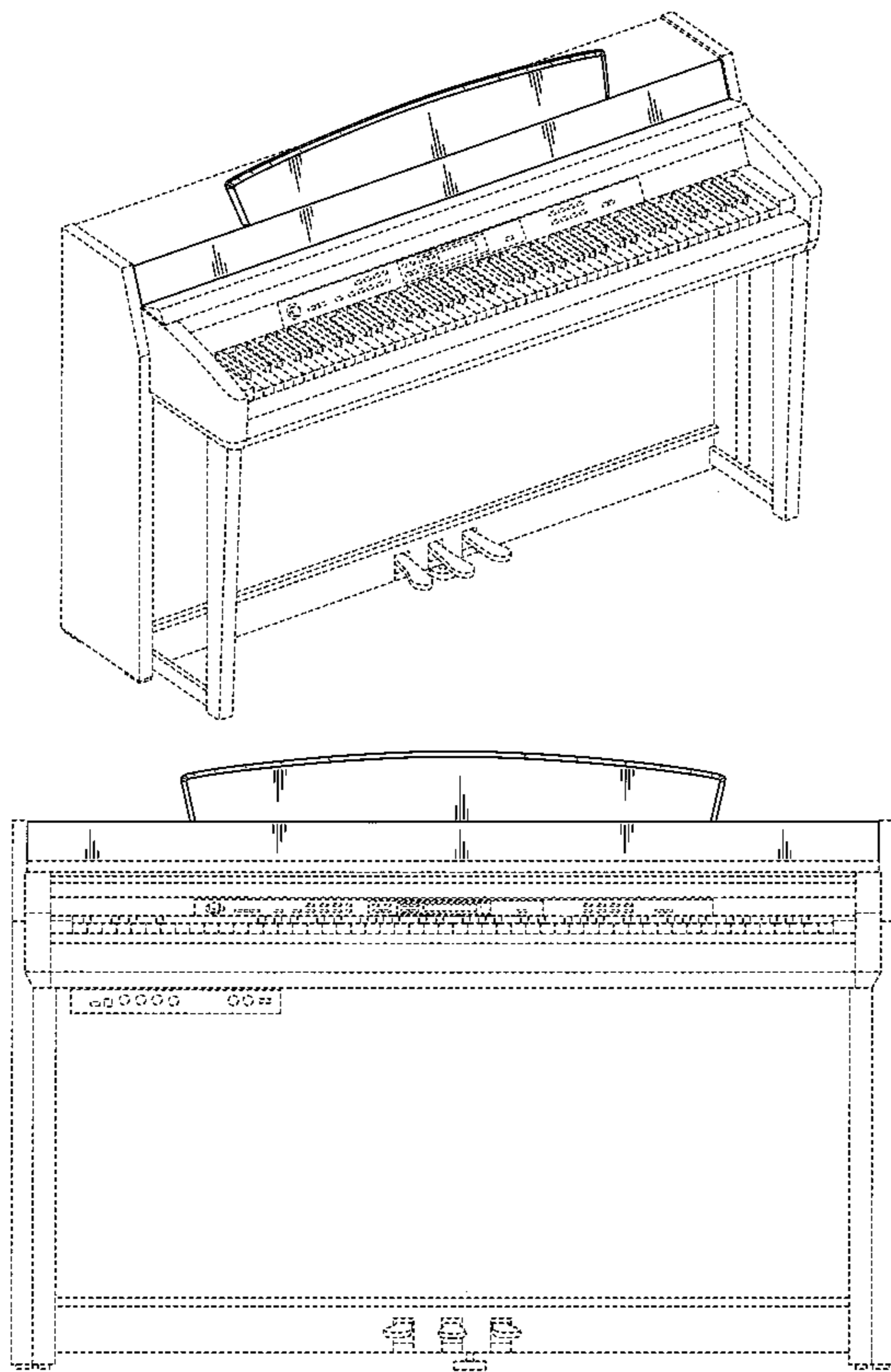
FIG. 5 is a right side elevational view thereof;

FIG. 6 is a top plan view thereof; and,

FIG. 7 is a bottom plan view thereof.

The portions shown in broken lines are for illustrative purposes only and form no part of the claimed design.

1 Claim, 6 Drawing Sheets



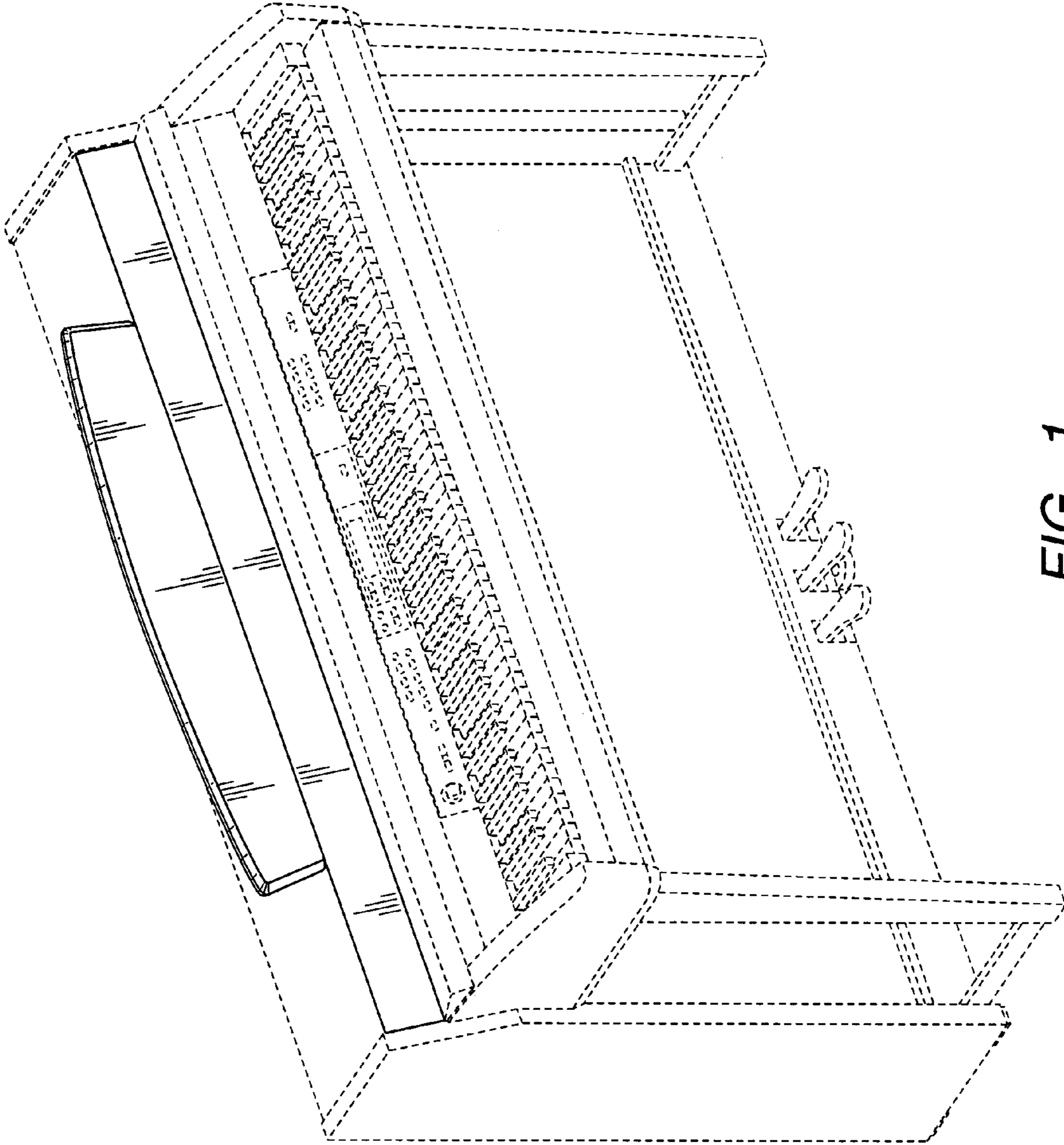


FIG. 1

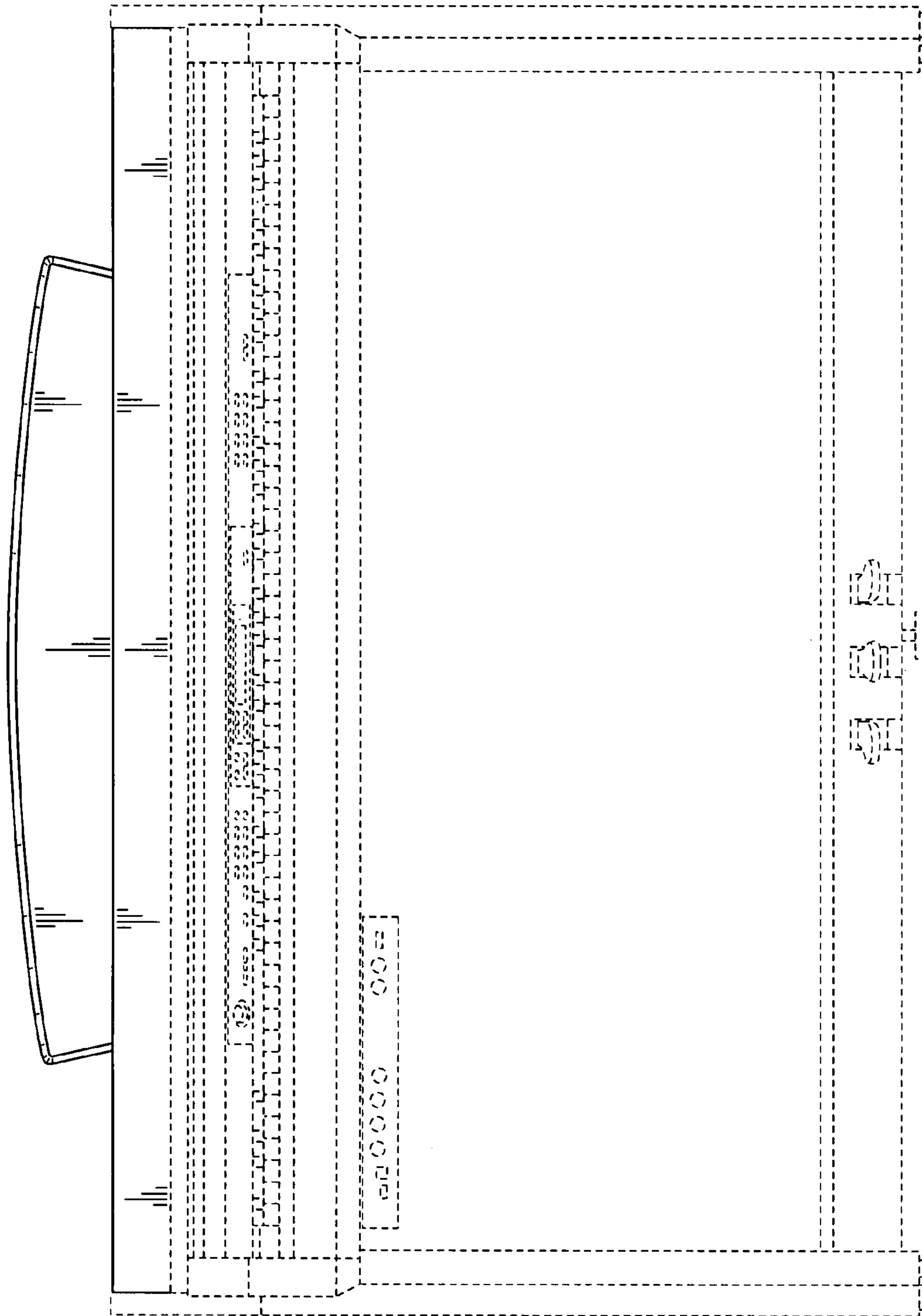


FIG. 2

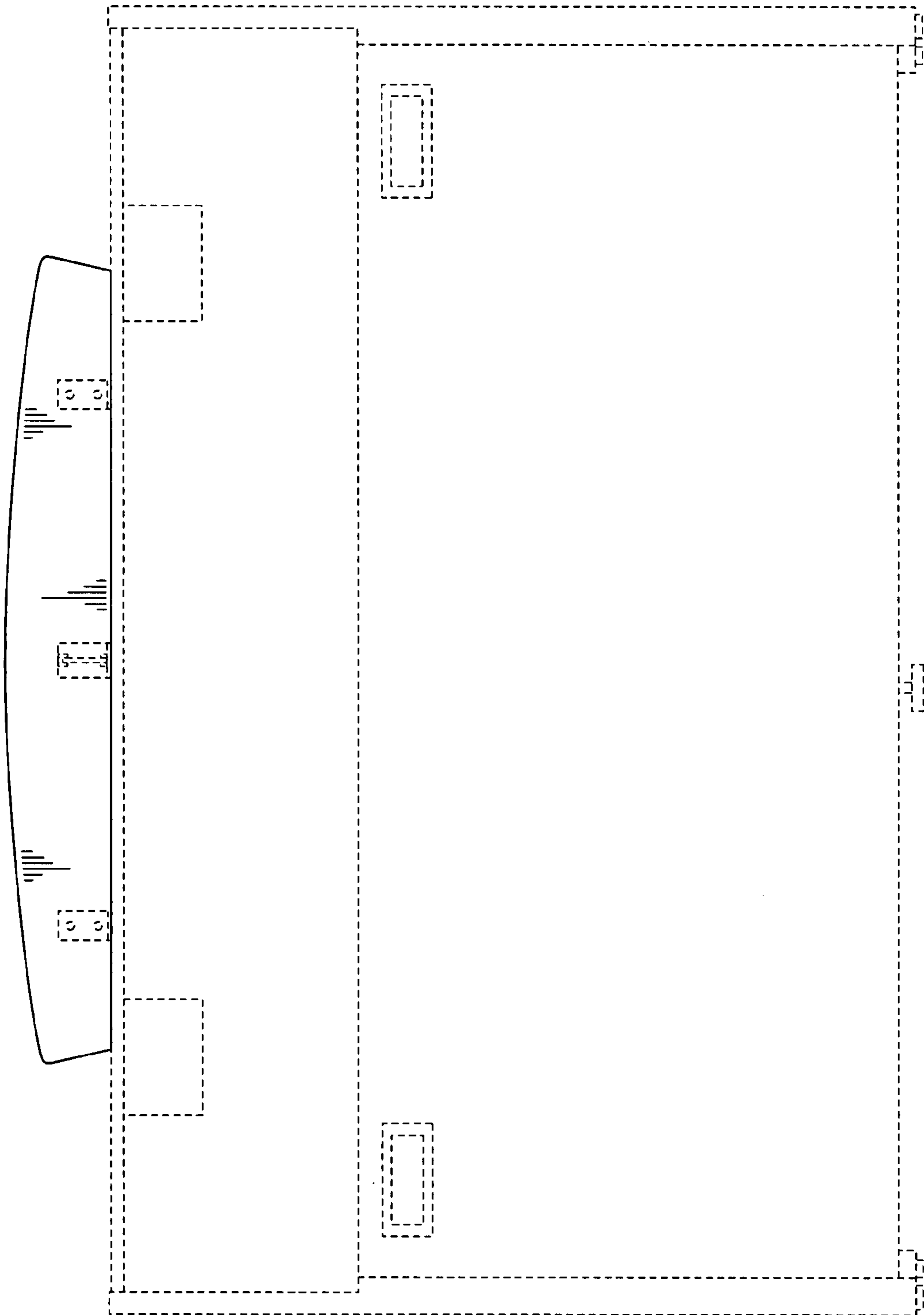


FIG. 3

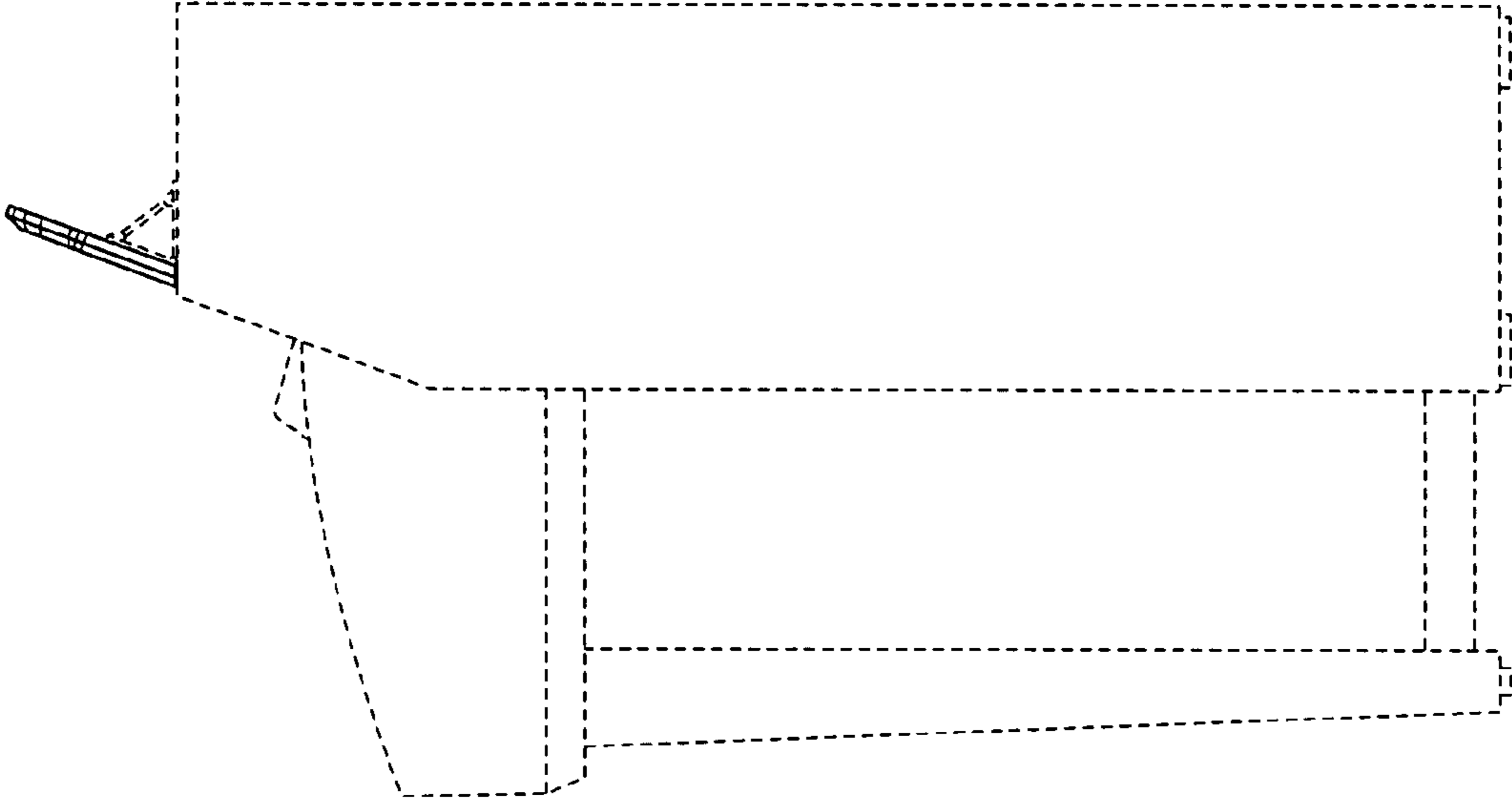


FIG. 5

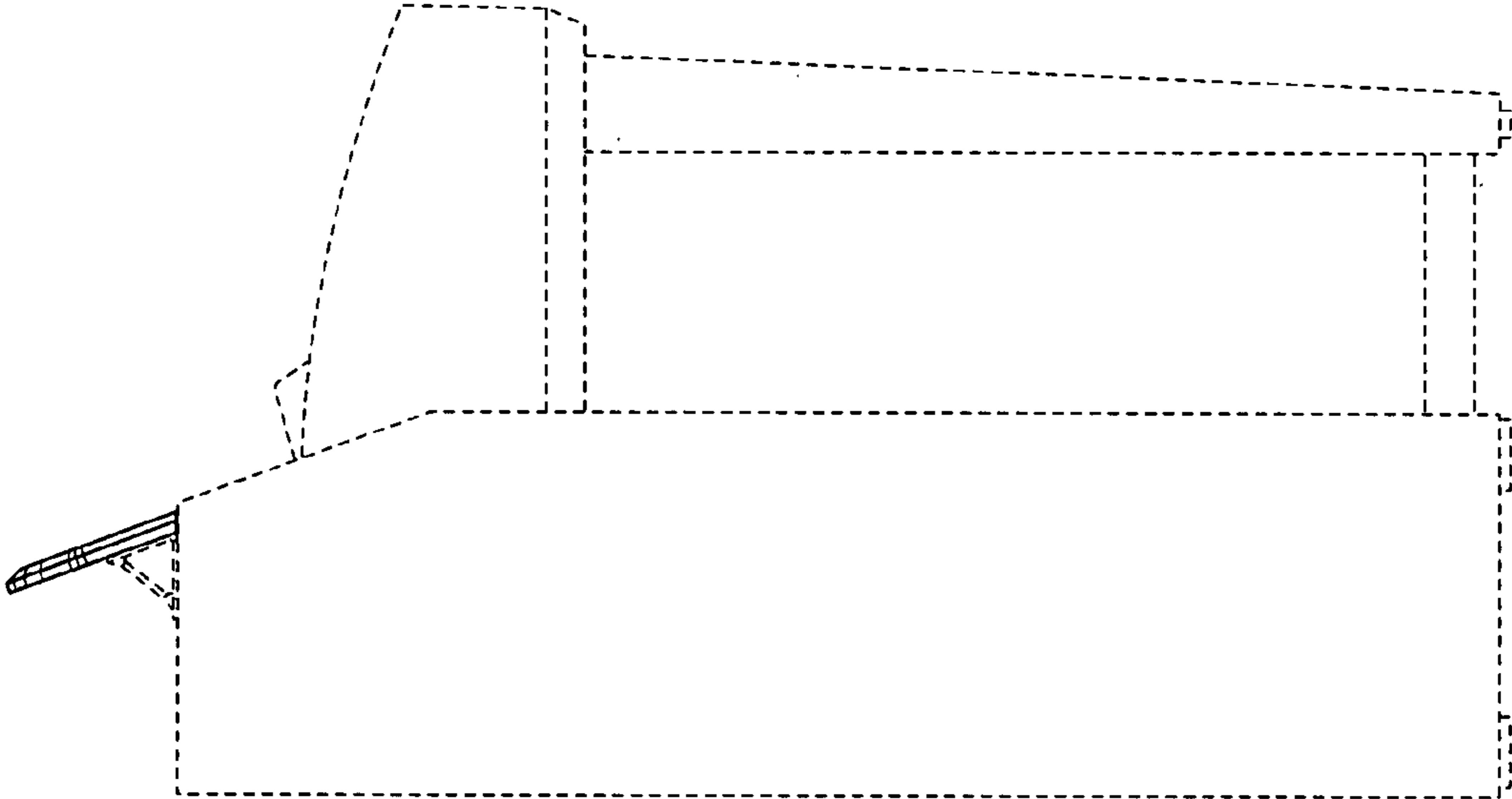


FIG. 4

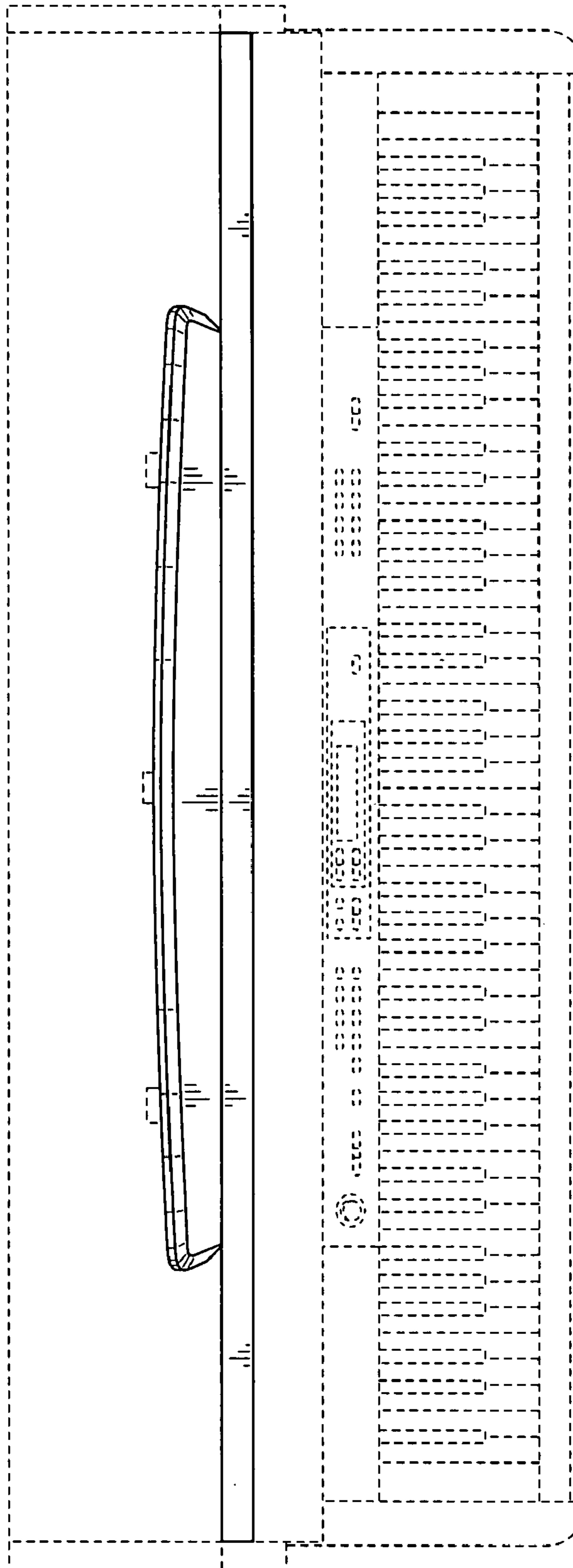


FIG. 6

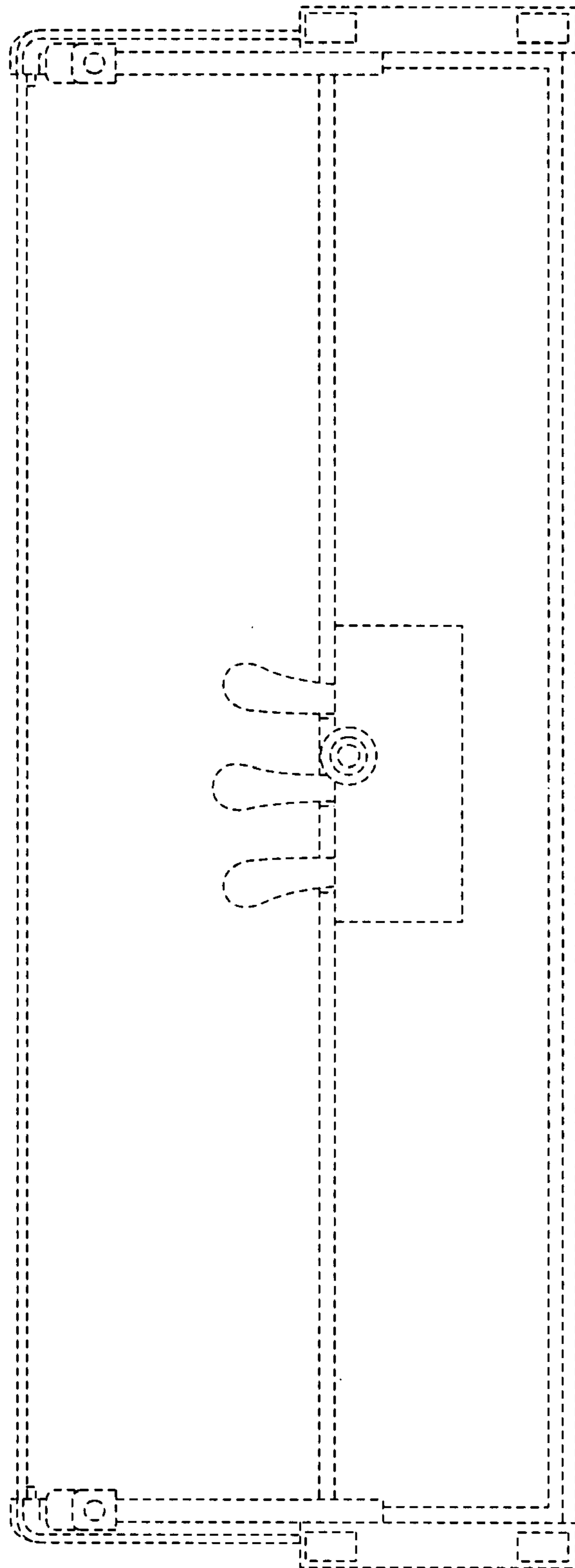


FIG. 7