



US00D555711S

(12) **United States Design Patent**  
**Hashimoto et al.**

(10) **Patent No.:** **US D555,711 S**

(45) **Date of Patent:** **\*\* Nov. 20, 2007**

(54) **ELECTRONIC KEYBOARD MUSICAL INSTRUMENT**

D532,815 S \* 11/2006 Utsunomiya et al. .... D17/1

\* cited by examiner

(75) Inventors: **Ichiro Hashimoto**, Kawasaki (JP);  
**Naoya Nishizawa**, Tokyo (JP)

*Primary Examiner*—Ian Simmons

*Assistant Examiner*—R. Johnson

(73) Assignee: **Casio Keisanki Kabushiki Kaisha**,  
Tokyo (JP)

(74) *Attorney, Agent, or Firm*—Frishauf, Holtz, Goodman &  
Chick, P.C.

(\*\*) Term: **14 Years**

(57) **CLAIM**

(21) Appl. No.: **29/245,572**

The ornamental design for an electronic keyboard musical instrument, as shown.

(22) Filed: **Dec. 22, 2005**

**DESCRIPTION**

(51) **LOC (8) Cl.** ..... **17-01**

FIG. 1 is a front, left side, bottom perspective view of an electronic keyboard musical instrument showing our new design;

(52) **U.S. Cl.** ..... **D17/1; D17/7**

FIG. 2 is a front elevational view thereof;

(58) **Field of Classification Search** ..... D17/1,

FIG. 3 is a rear elevational view thereof;

D17/2, 7, 9; 84/13, 17, 172, 174, 176, 423 R,

FIG. 4 is a left side view thereof;

84/719, 720, 743–745, 177–181, DIG. 3

FIG. 5 is a right side view thereof;

See application file for complete search history.

FIG. 6 is a top plan view thereof; and,

(56) **References Cited**

FIG. 7 is a bottom plan view thereof.

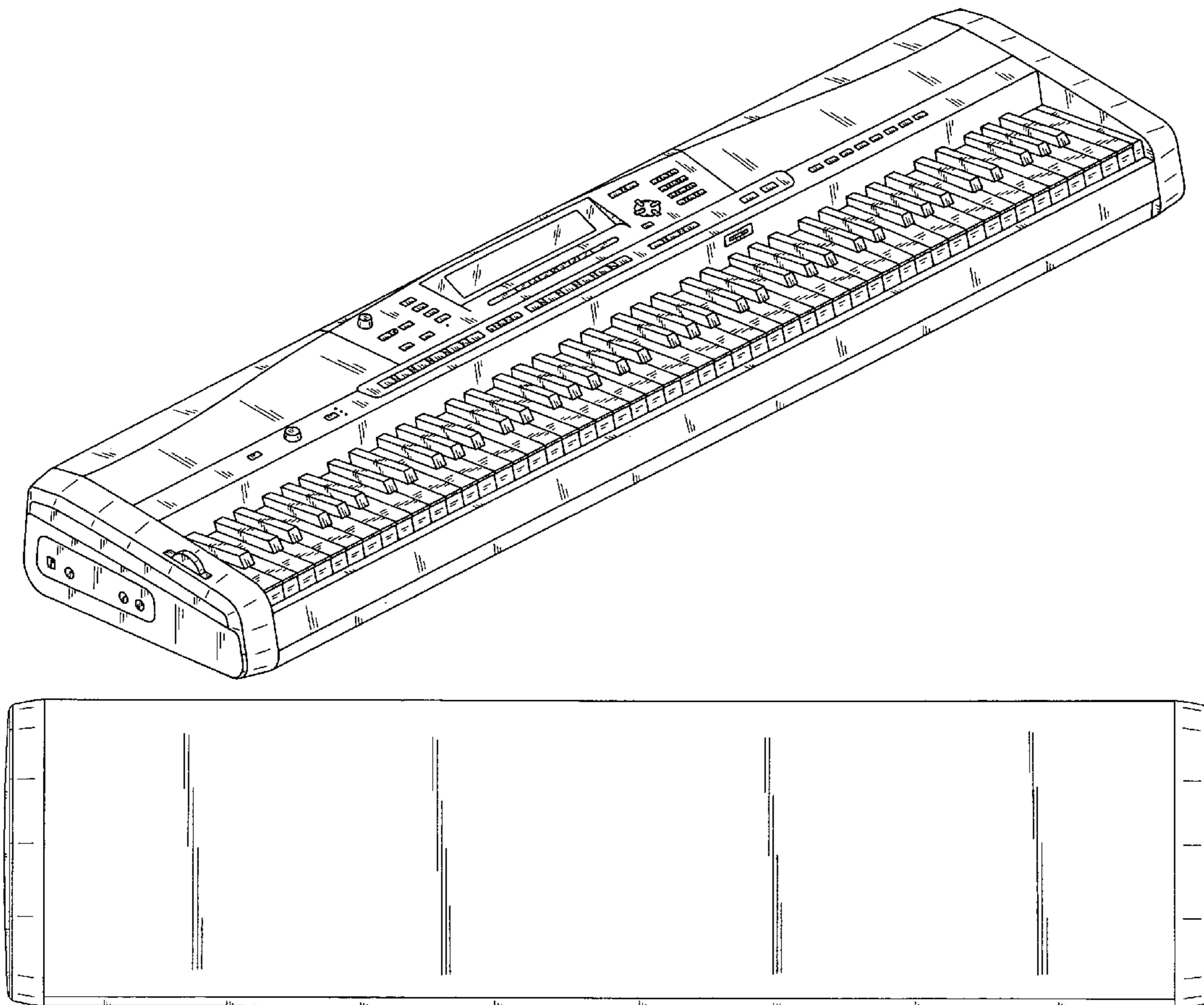
**U.S. PATENT DOCUMENTS**

D506,494 S \* 6/2005 Nishizawa ..... D17/1

D508,256 S \* 8/2005 Ida et al. .... D17/1

D526,676 S \* 8/2006 Utsunomiya et al. .... D17/1

**1 Claim, 6 Drawing Sheets**



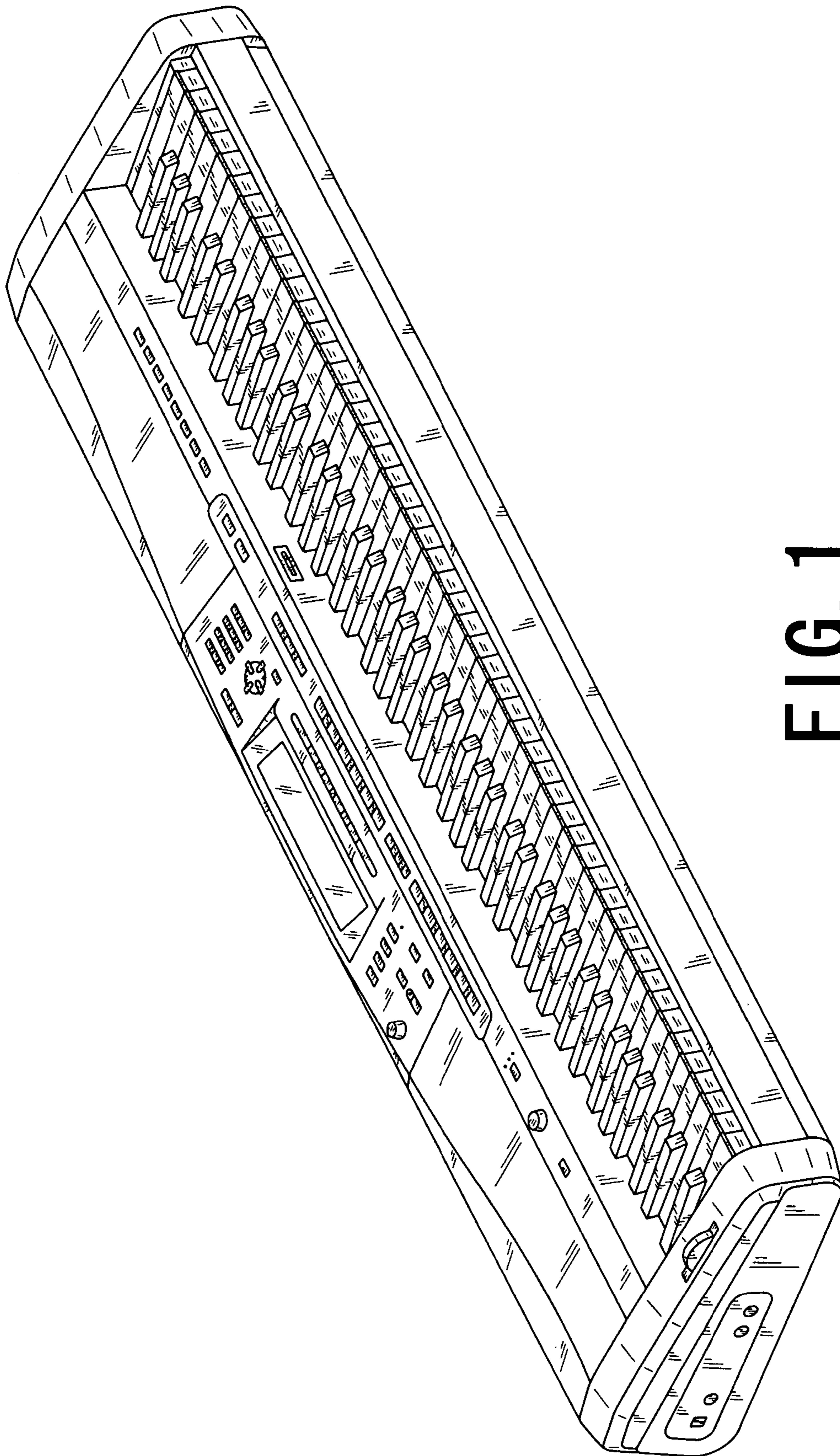


FIG. 1

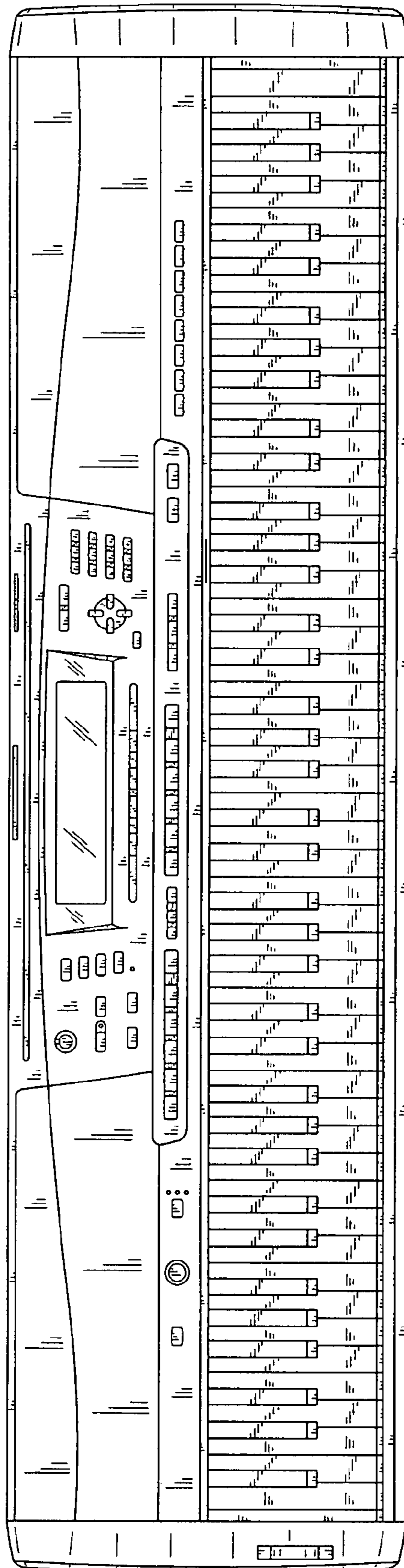


FIG. 2

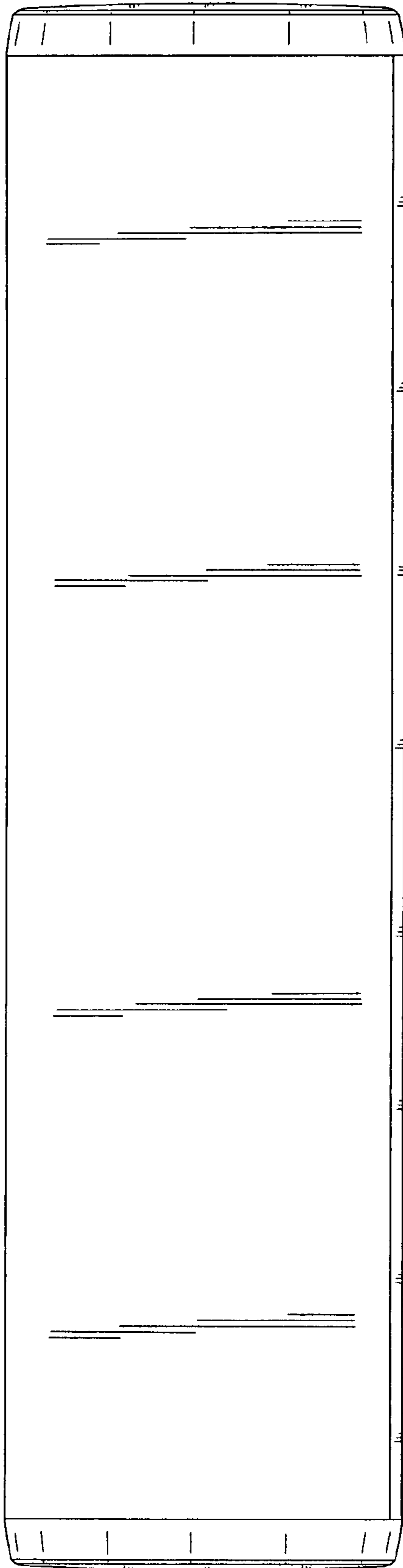
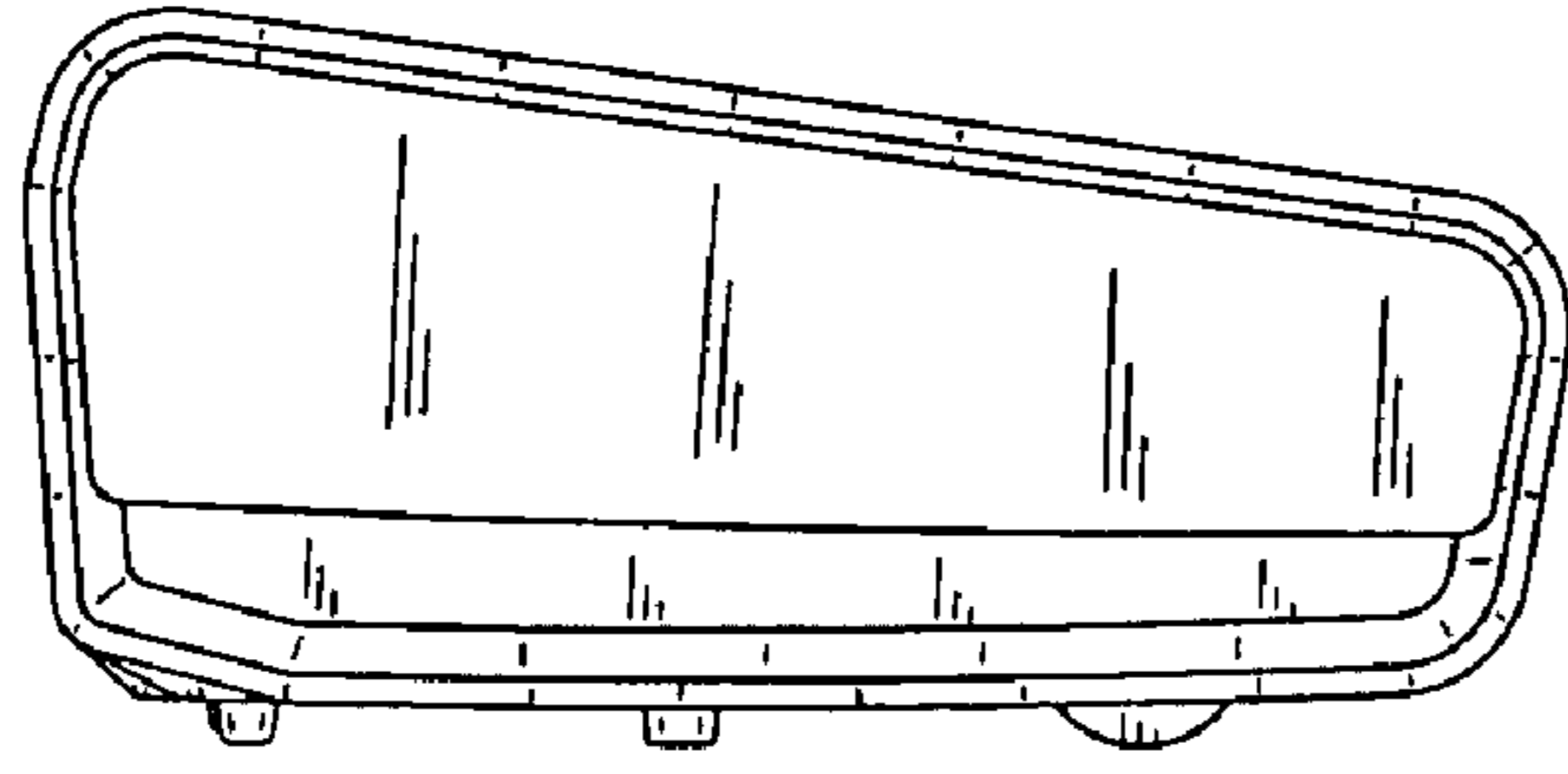
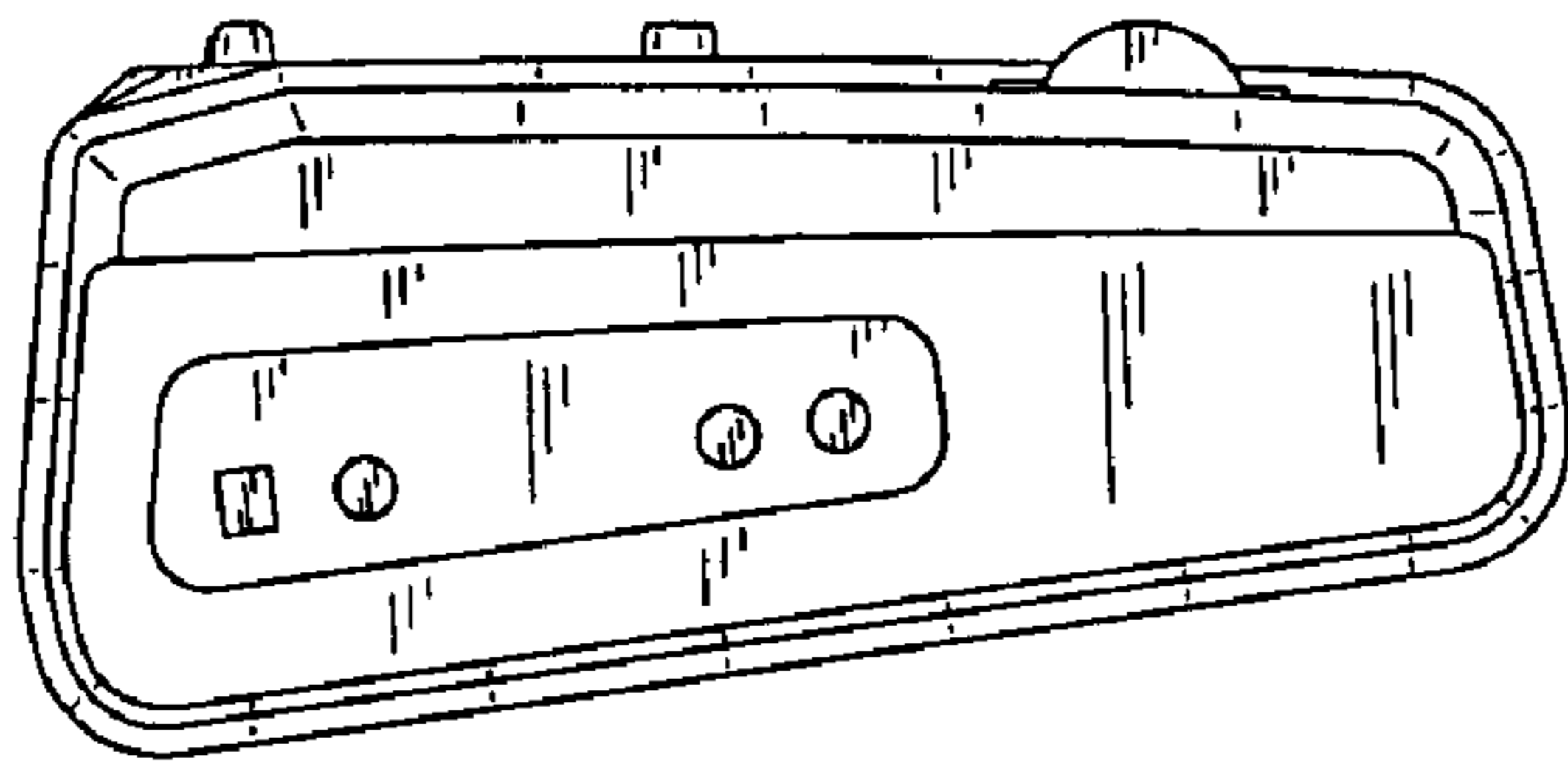


FIG. 3



**FIG. 5**



**FIG. 4**

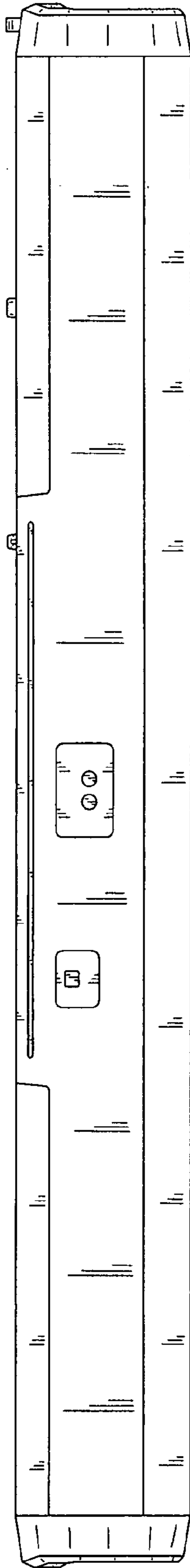


FIG. 6

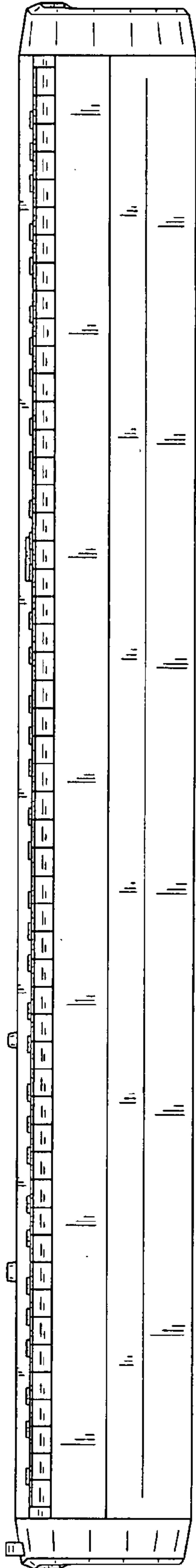


FIG. 7