



US00D555709S

(12) **United States Design Patent** (10) **Patent No.:** **US D555,709 S**  
**Chen** (45) **Date of Patent:** **\*\* Nov. 20, 2007**

(54) **HINGE ELEMENT FOR GLASSES FRAME**

D516,605 S \* 3/2006 Marc et al. .... D16/334  
7,070,274 B2 \* 7/2006 Kamishita et al. .... 351/159

(76) Inventor: **Ke-Lin Chen**, No. 126, Dawan Rd.,  
Yongkang City, Tainan Hsien (TW)

\* cited by examiner

(\*\*) Term: **14 Years**

*Primary Examiner*—T. Chase Nelson  
*Assistant Examiner*—Barbara Blantin Lohr  
(74) *Attorney, Agent, or Firm*—Troxell Law Office, PLLC

(21) Appl. No.: **29/245,023**

(22) Filed: **Dec. 19, 2005**

(57) **CLAIM**

(51) **LOC (8) Cl.** ..... **16-06**

The ornamental design for a hinge element for glasses frame, as shown and described.

(52) **U.S. Cl.** ..... **D16/334**

(58) **Field of Classification Search** ..... D16/101,  
D16/300–330, 332–338, 900; D21/190;  
D24/110.2; 351/41, 44, 51, 52, 61–63, 83,  
351/86, 92, 103–111, 114, 117, 119, 121–124,  
351/128, 130–132, 136–139, 158–159, 47–48,  
351/57–59, 155, 157; 2/426–432, 434–437,  
2/441, 447–449, 19, 12, 13, 866; D12/191;  
248/902, 474; D29/103–104, 109–110  
See application file for complete search history.

**DESCRIPTION**

(56) **References Cited**

**U.S. PATENT DOCUMENTS**

D223,295 S *	4/1972	Obster et al. ....	D16/334
D285,452 S *	9/1986	Tabacchi .....	D16/334
D322,799 S *	12/1991	Balder .....	D16/334
D367,876 S *	3/1996	Rabut .....	D16/334
D378,217 S *	2/1997	Huang .....	D16/334
D384,365 S *	9/1997	Keith .....	D16/334
D407,624 S *	4/1999	Ehrig .....	D8/323
D411,561 S *	6/1999	Hall et al. ....	D16/334
D459,748 S *	7/2002	Marc et al. ....	D16/334
D468,340 S *	1/2003	Marc et al. ....	D16/334
D491,601 S *	6/2004	Lovegrove .....	D16/334

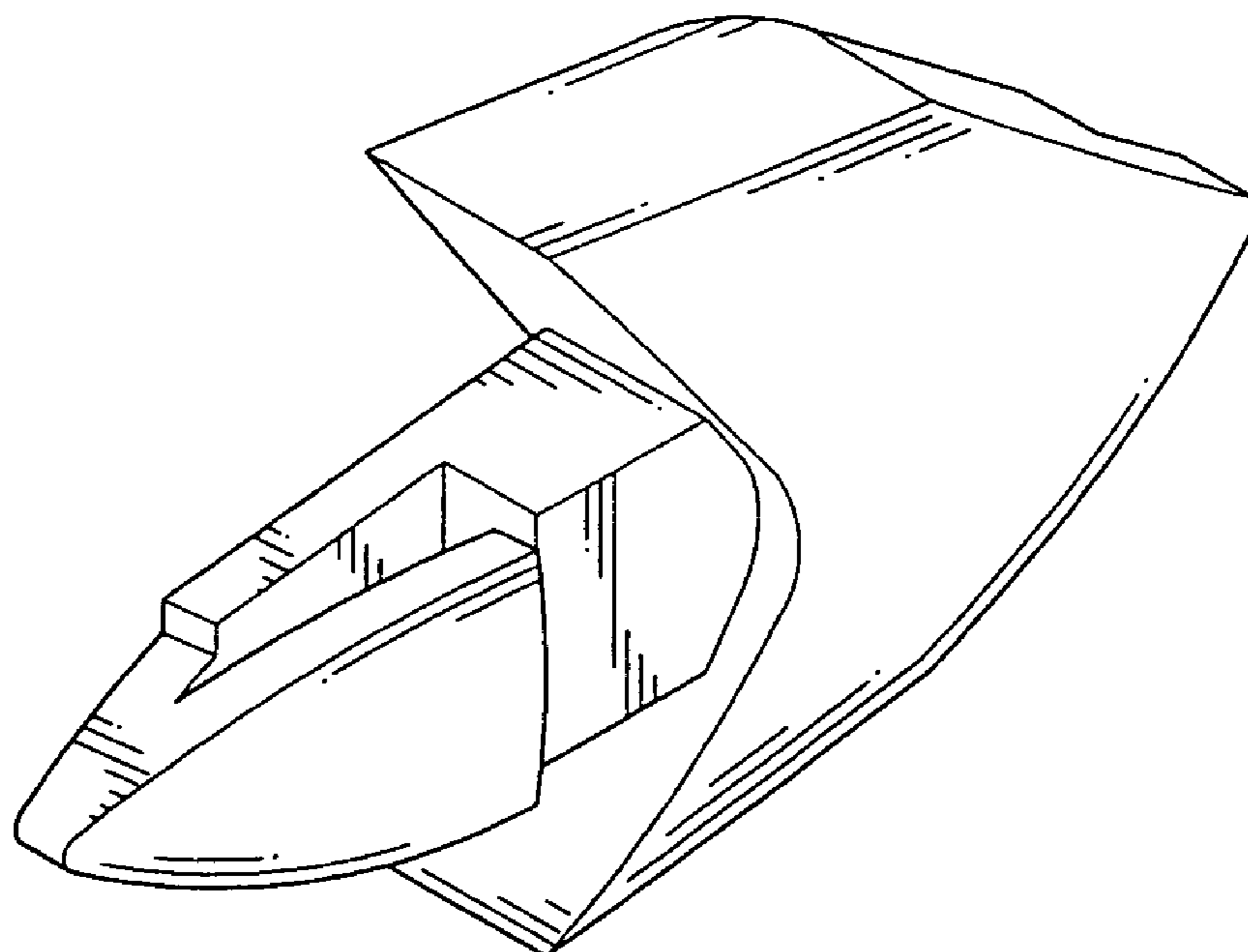
FIG. 1 is a perspective view of a hinge element for glasses frame, showing my new design;  
FIG. 2 is a front view thereof;  
FIG. 3 is a rear view thereof;  
FIG. 4 is a left view thereof;  
FIG. 5 is a right view thereof;  
FIG. 6 is a top view thereof;  
FIG. 7 is a bottom view thereof;

FIG. 8 is a perspective view of the hinge element for glasses frame attached to one, broken line ear piece of the glasses frame; and,

FIG. 9 is a perspective view of the hinge element for glasses frame shown in condition of use on a broken line pair of glasses.

The broken line disclosure in the various views is for environmental purposes only and does not constitute a part of the claimed design.

**1 Claim, 6 Drawing Sheets**



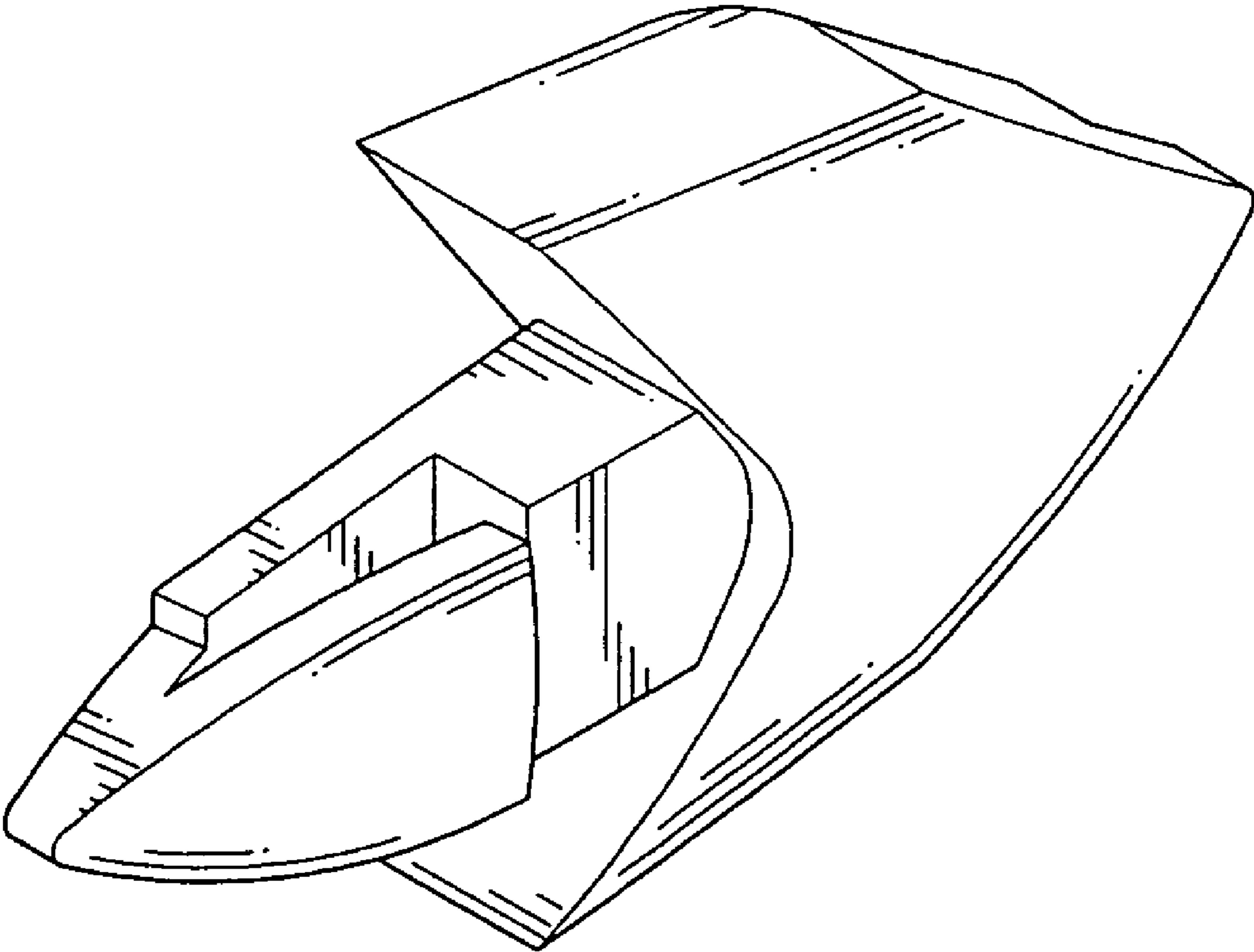


FIG. 1

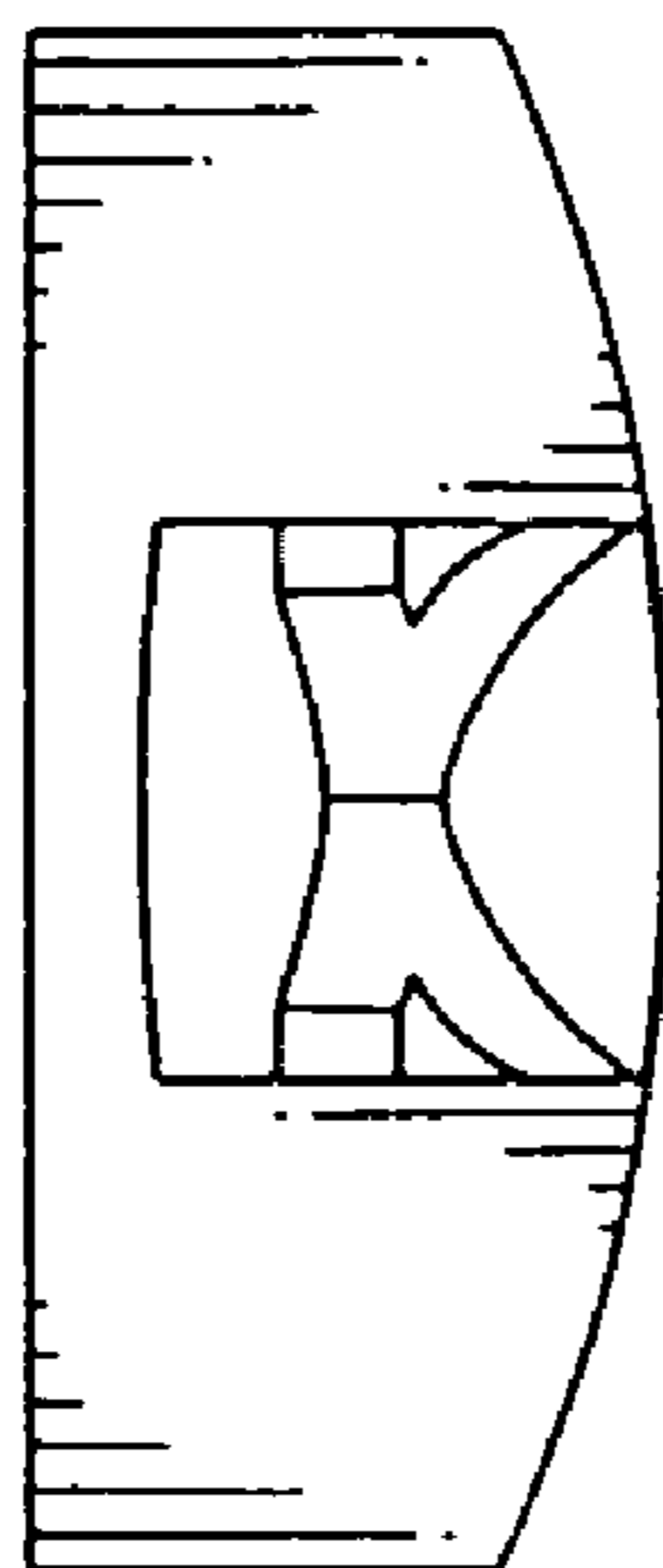


FIG. 2



FIG. 3

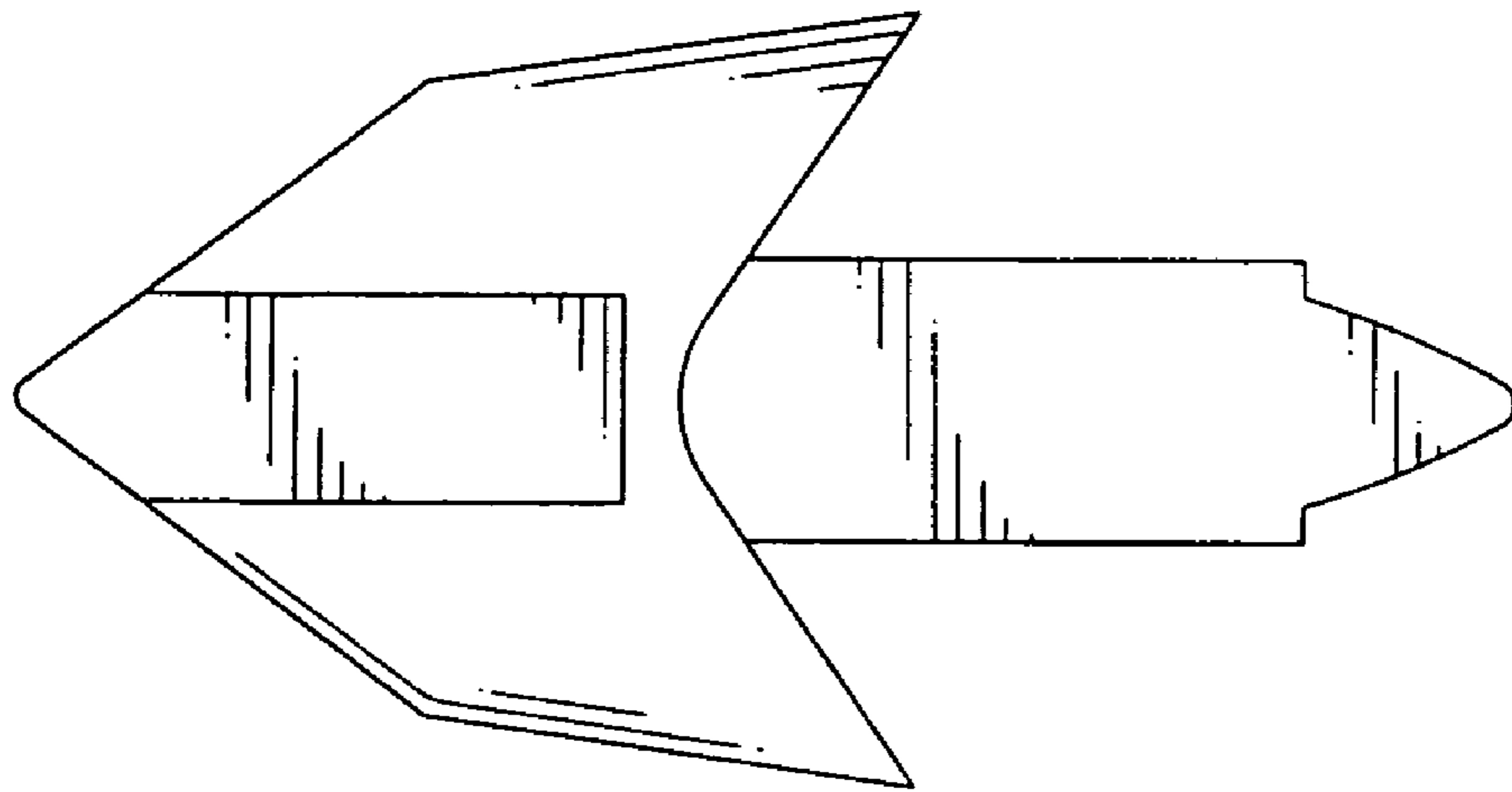


FIG. 4

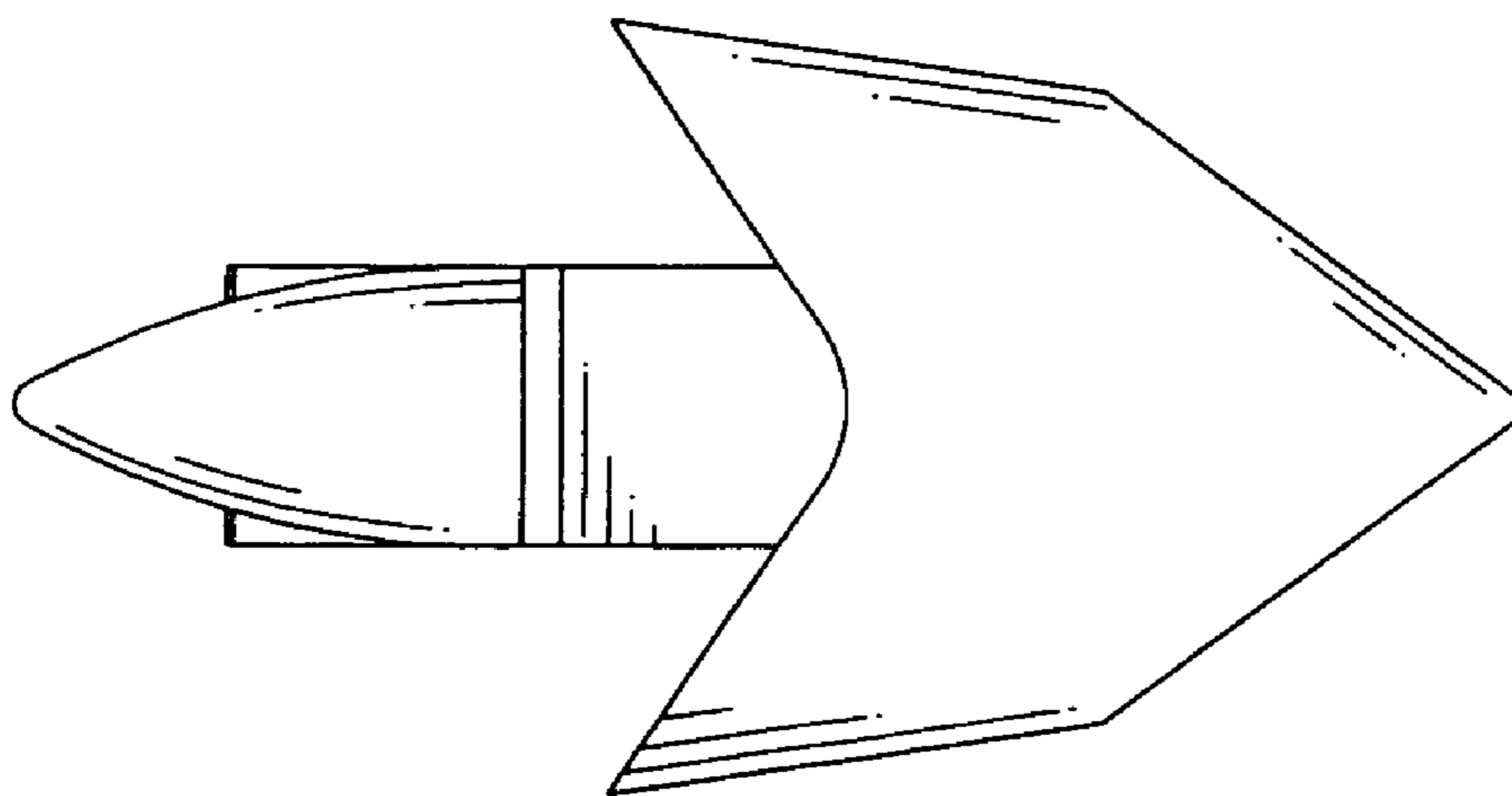


FIG. 5

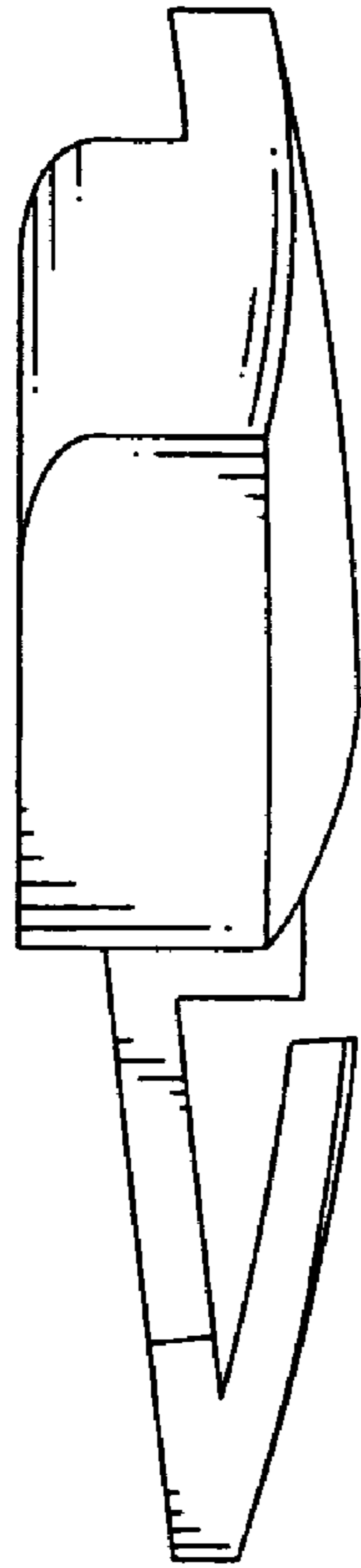


FIG. 6

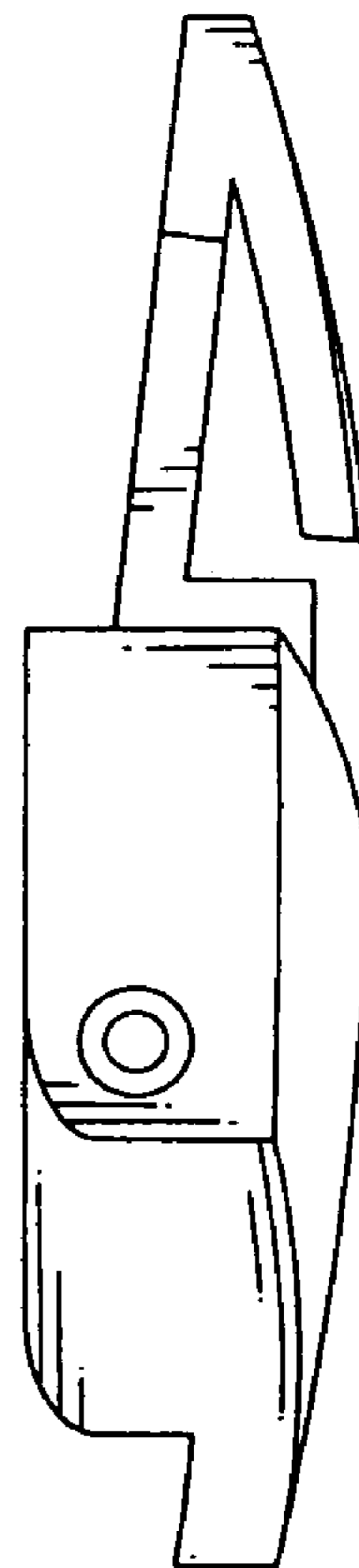


FIG. 7

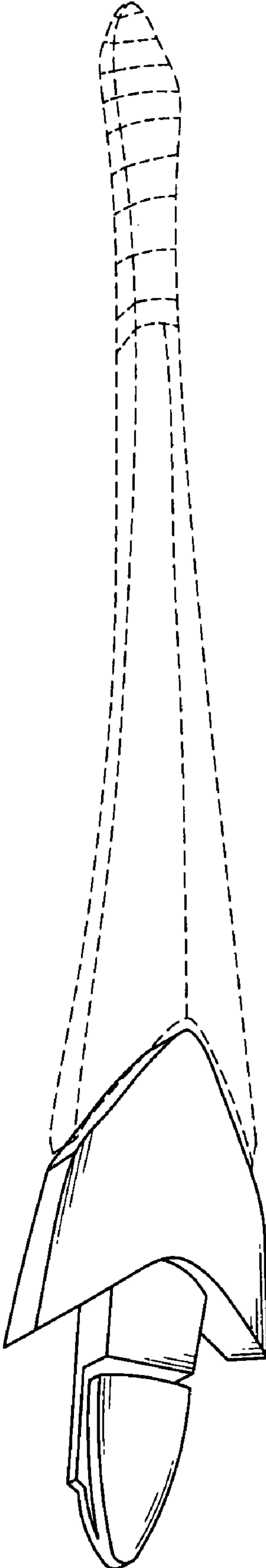


FIG.8

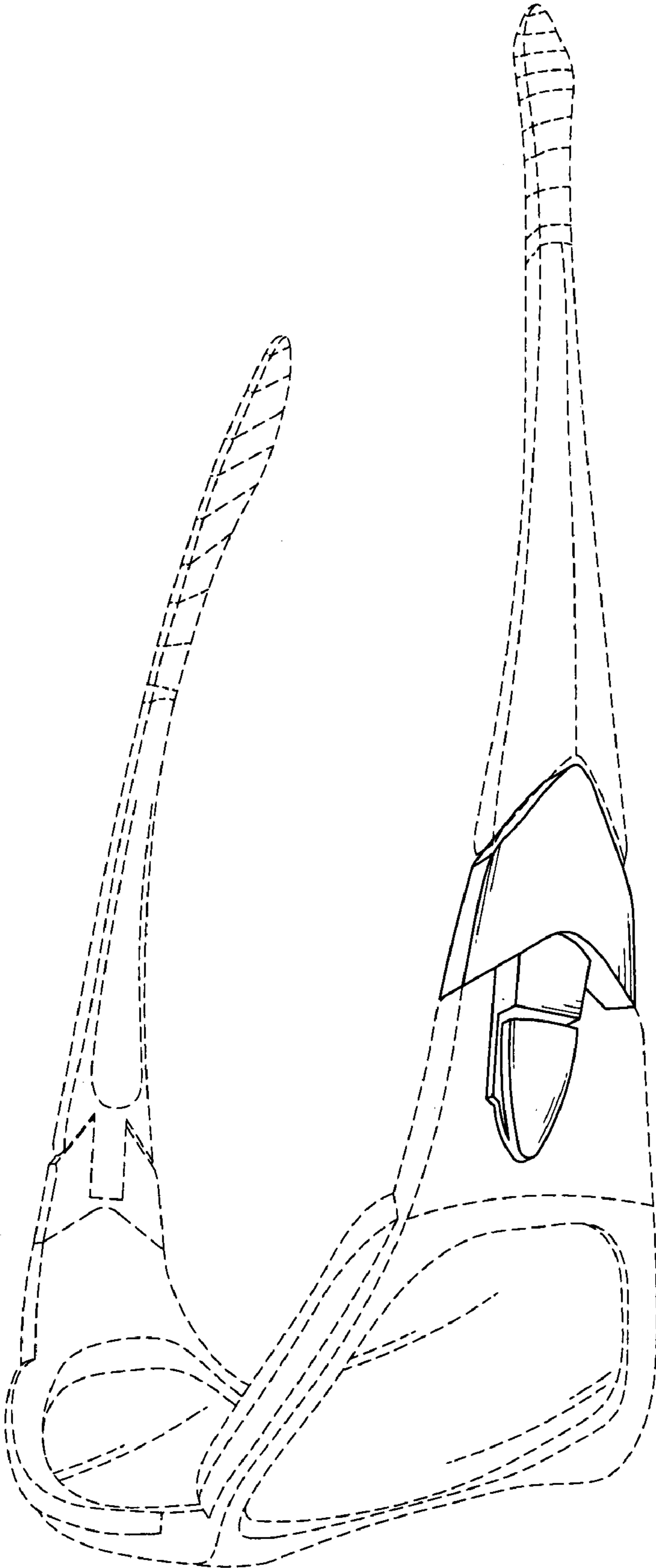


FIG. 9