



US00D555699S

(12) **United States Design Patent**
Oh et al.

(10) **Patent No.:** **US D555,699 S**

(45) **Date of Patent:** **** Nov. 20, 2007**

(54) **CAMERA STAND**

(75) Inventors: **Kok Chong Anthony Oh**, Singapore (SG); **Andrew Loh**, Singapore (SG)

(73) Assignee: **Creative Technology Ltd**, Singapore (SG)

(**) Term: **14 Years**

(21) Appl. No.: **29/258,034**

(22) Filed: **Apr. 13, 2006**

(51) **LOC (8) Cl.** **16-05**

(52) **U.S. Cl.** **D16/242; D16/245**

(58) **Field of Classification Search** D16/200–205, D16/208, 219, 242, 245; 248/121, 126, 918, 248/166–171; 396/419, 421, 427–428
See application file for complete search history.

(56) **References Cited**

U.S. PATENT DOCUMENTS

1,208,344	A *	12/1916	McAll	248/126
D392,299	S *	3/1998	Lin	D16/202
5,855,343	A *	1/1999	Krekelberg	248/121
D440,244	S *	4/2001	Prather et al.	D16/202
D446,538	S *	8/2001	Prather et al.	D16/242
6,431,507	B2 *	8/2002	Prather et al.	248/166
6,663,066	B1 *	12/2003	Hong	248/231.41
6,738,094	B1	5/2004	Minami		
7,066,664	B1 *	6/2006	Sitoh et al.	248/121
D527,755	S *	9/2006	Wu	D16/202
D532,807	S *	11/2006	Shih	D16/203
2006/0127082	A1 *	6/2006	Sitoh et al.	396/428

* cited by examiner

Primary Examiner—Ian Simmons

Assistant Examiner—Wan Laymon

(74) *Attorney, Agent, or Firm*—P Francois de Villiers

(57) **CLAIM**

The ornamental design for a camera stand, substantially as shown and described.

DESCRIPTION

FIG. 1 is a perspective view of a camera stand showing our new design;

FIG. 2 is a top view of FIG. 1;

FIG. 3 is a bottom view of FIG. 1;

FIG. 4 is a right side view of FIG. 1;

FIG. 5 is a left side view of FIG. 1;

FIG. 6 is a rear view of FIG. 1;

FIG. 7 is a front view of FIG. 1;

FIG. 8 is a perspective view of the camera stand of a camera stand showing with the rear leg in an extended position;

FIG. 9 is a top view of FIG. 8;

FIG. 10 is a bottom view of FIG. 8;

FIG. 11 is a right side view of FIG. 8;

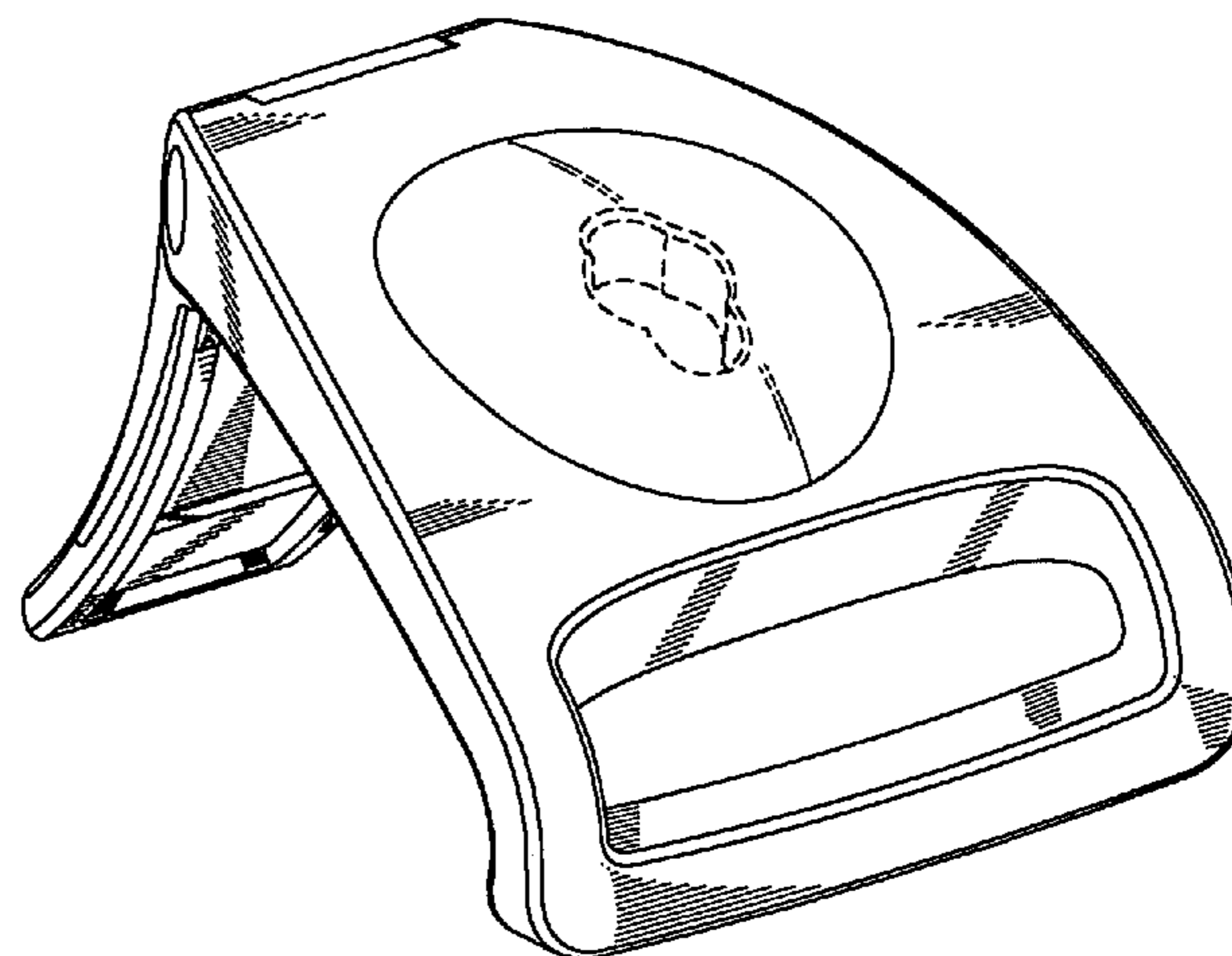
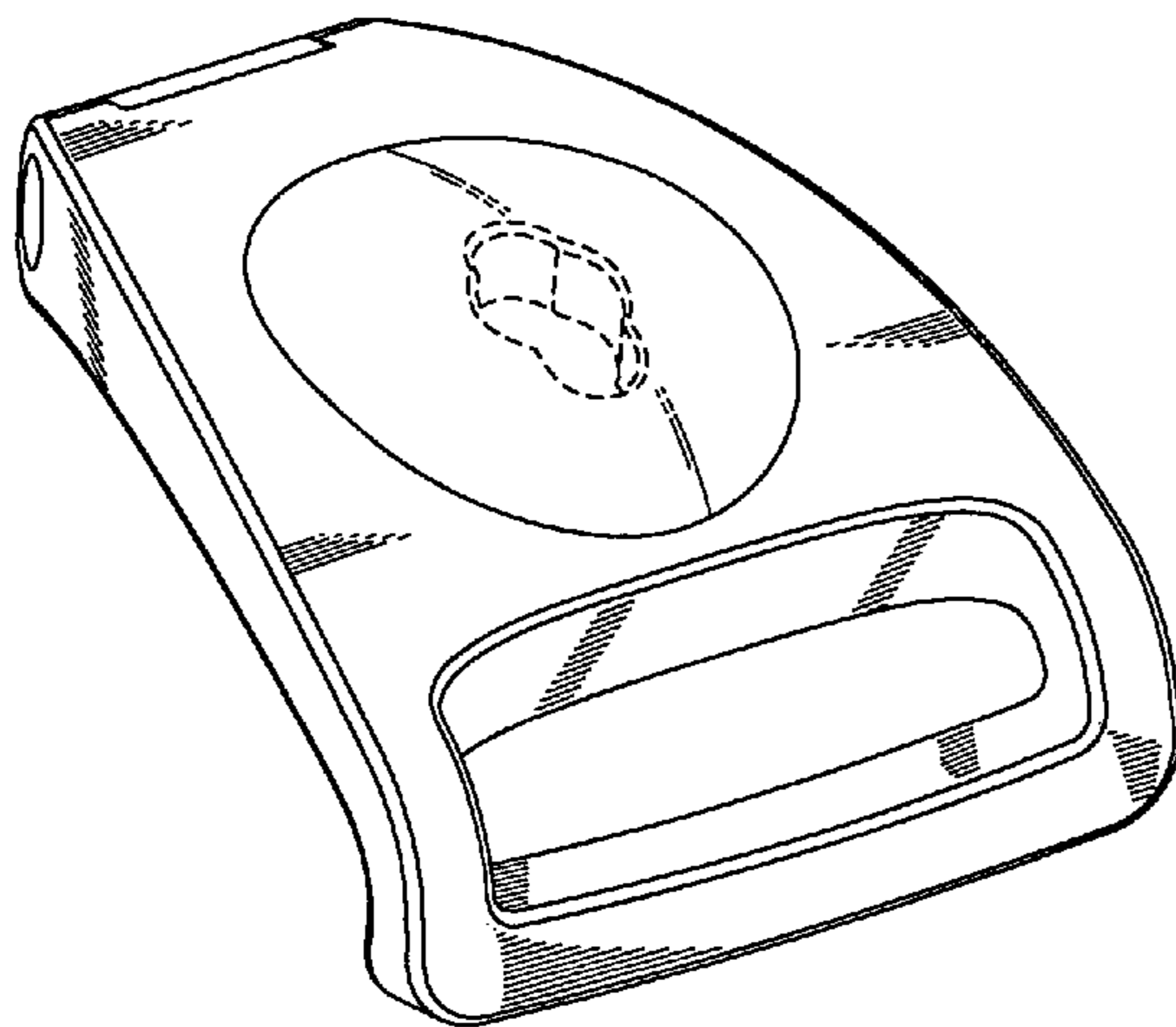
FIG. 12 is a left side view of FIG. 8;

FIG. 13 is a rear view of FIG. 8; and,

FIG. 14 is a front view of FIG. 8.

Features illustrated in phantom using dashed lines (broken lines) are shown for exemplary purposes only and form no part of the claimed design.

1 Claim, 8 Drawing Sheets



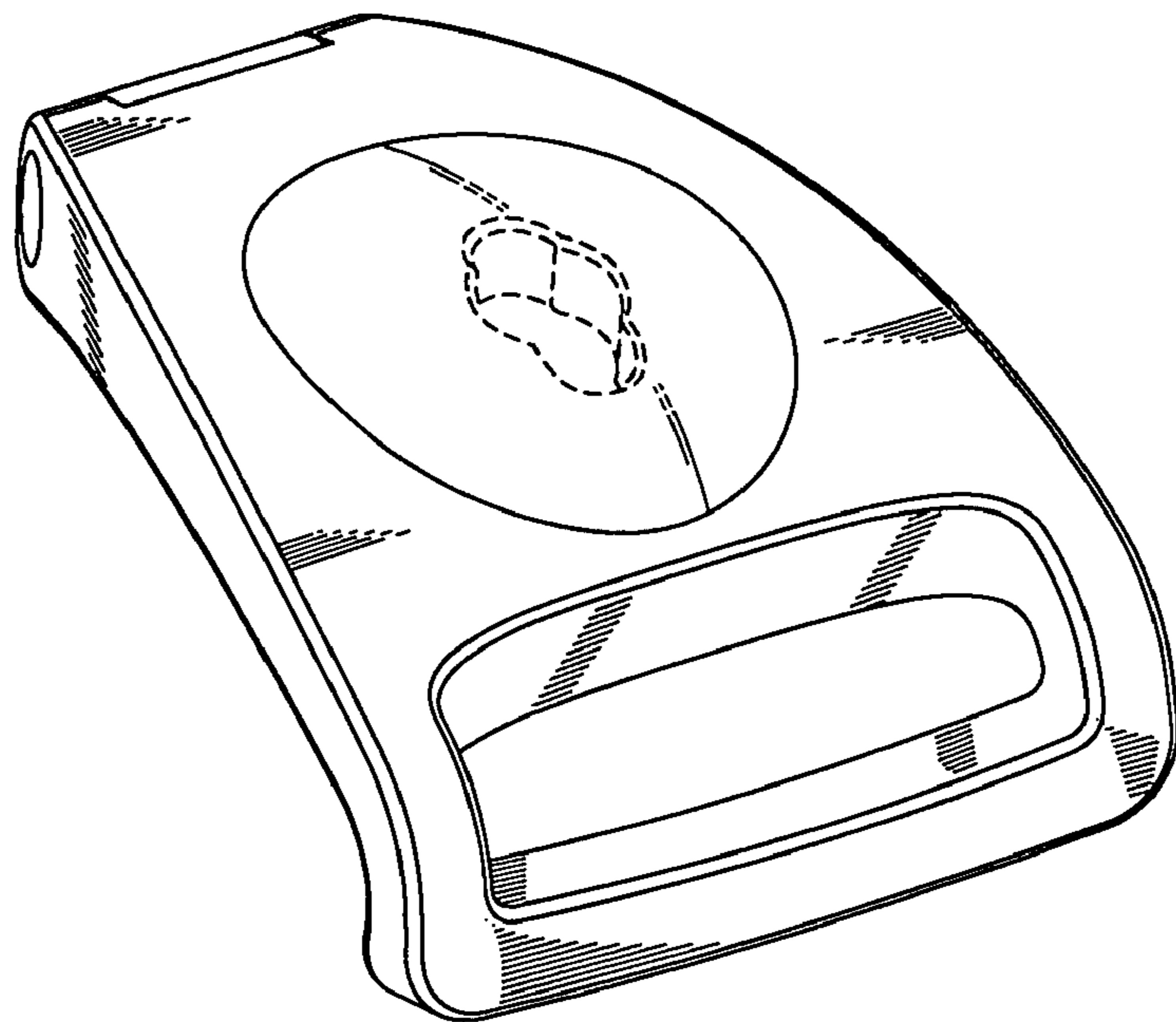


FIG. 1

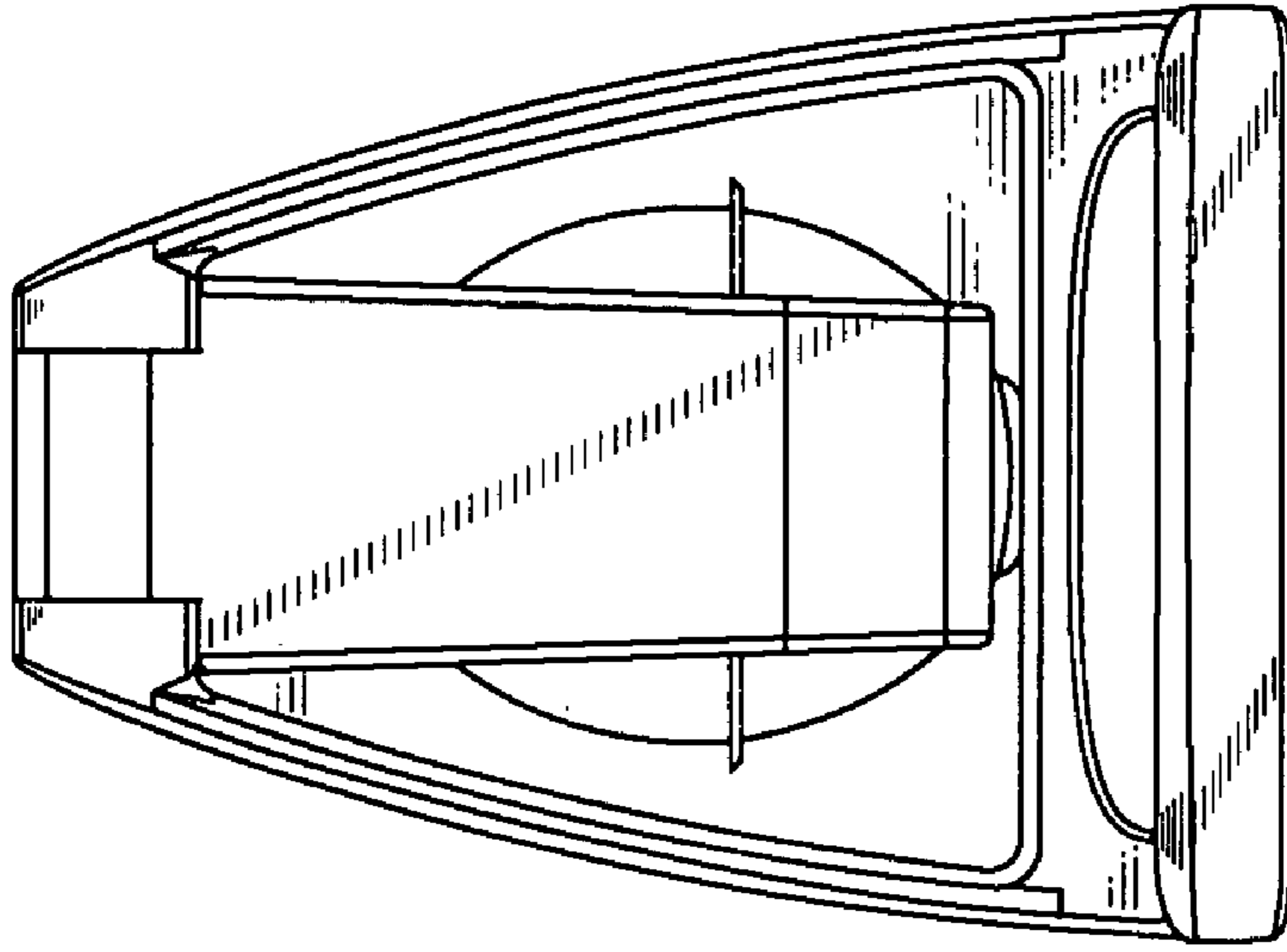


FIG. 2

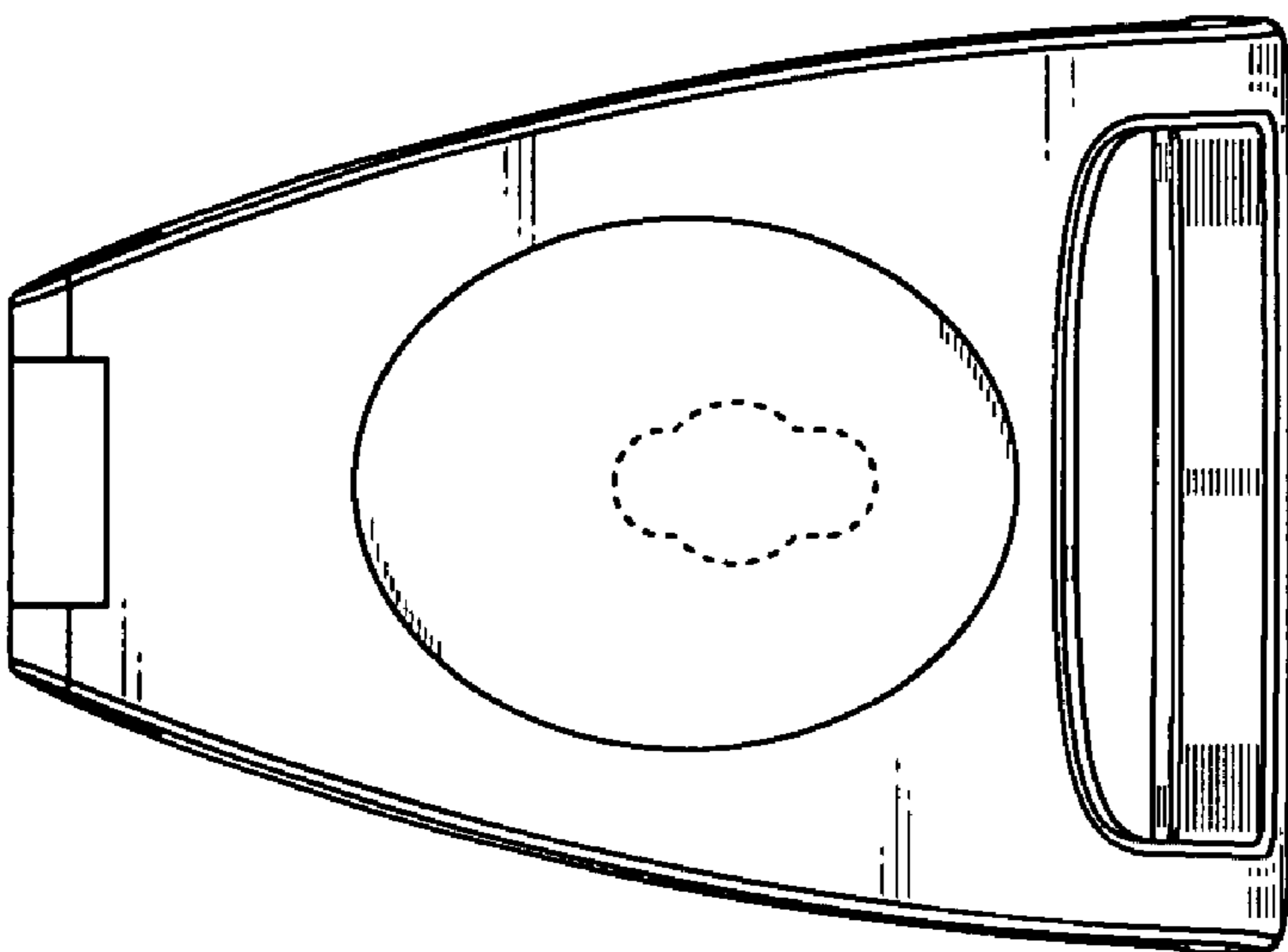


FIG. 3

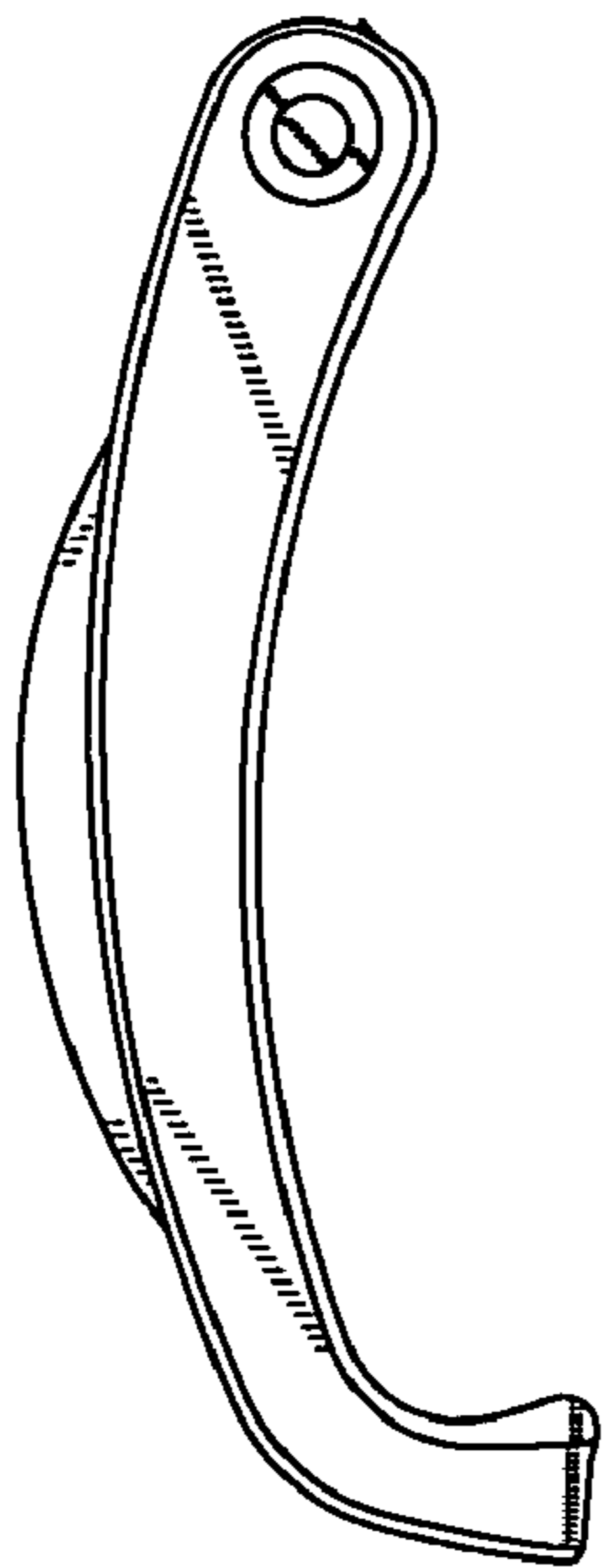


FIG. 4

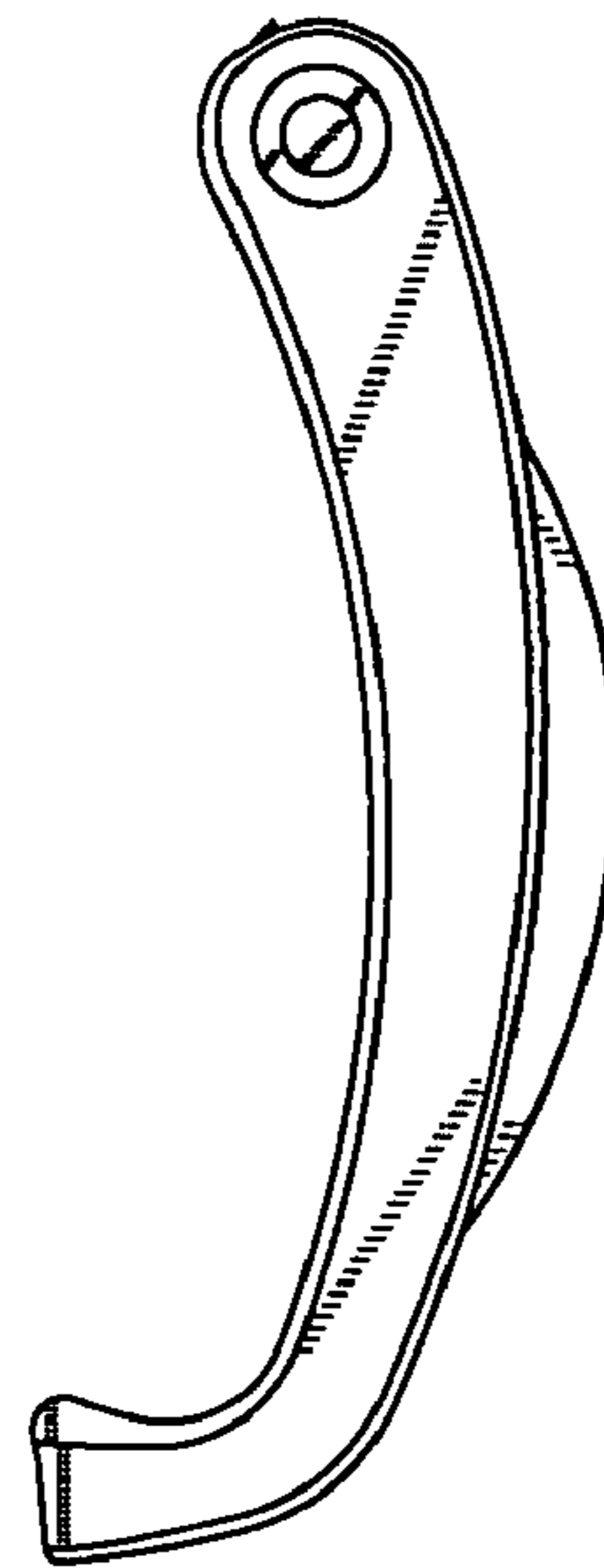


FIG. 5

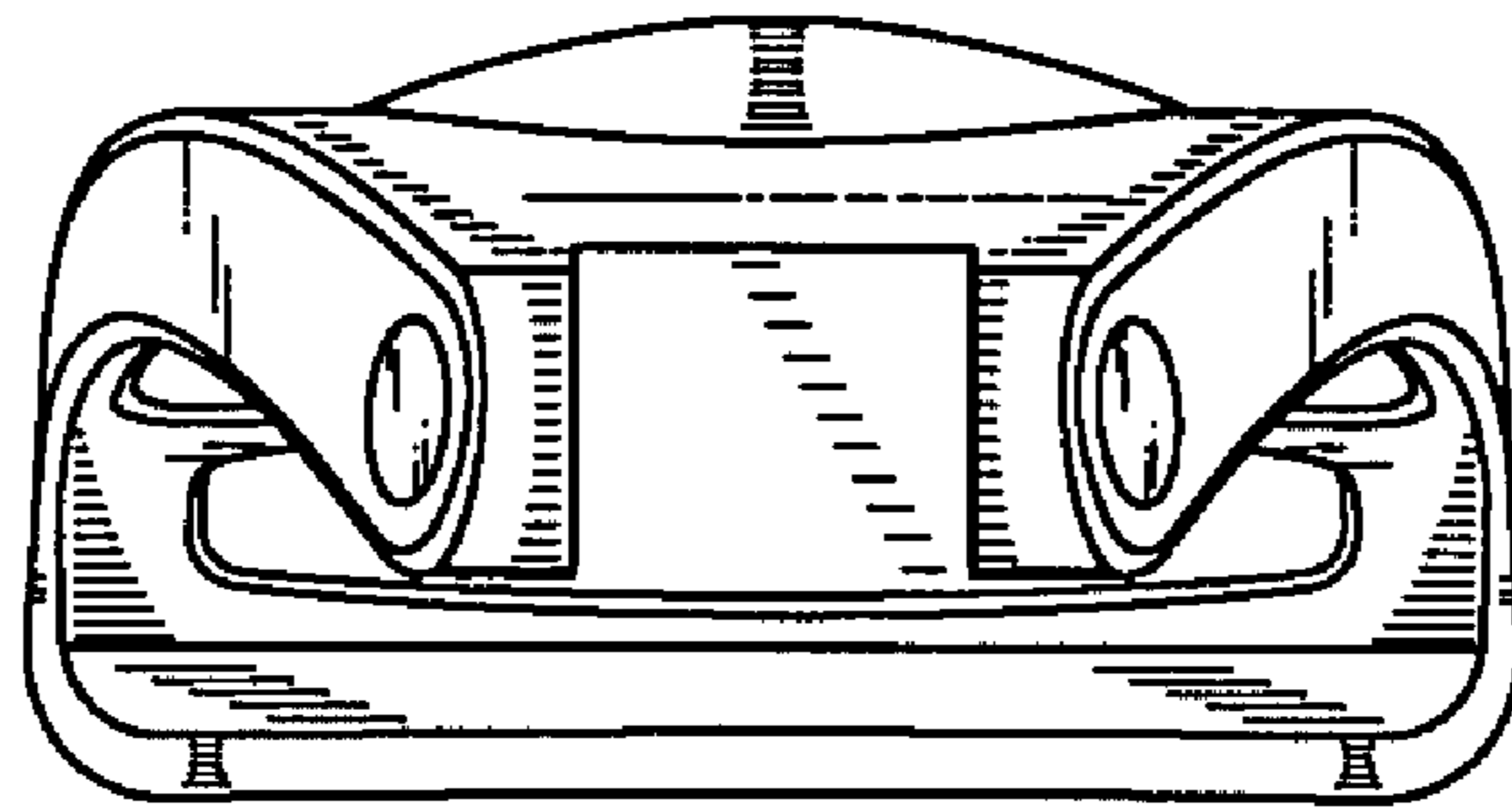


FIG. 6

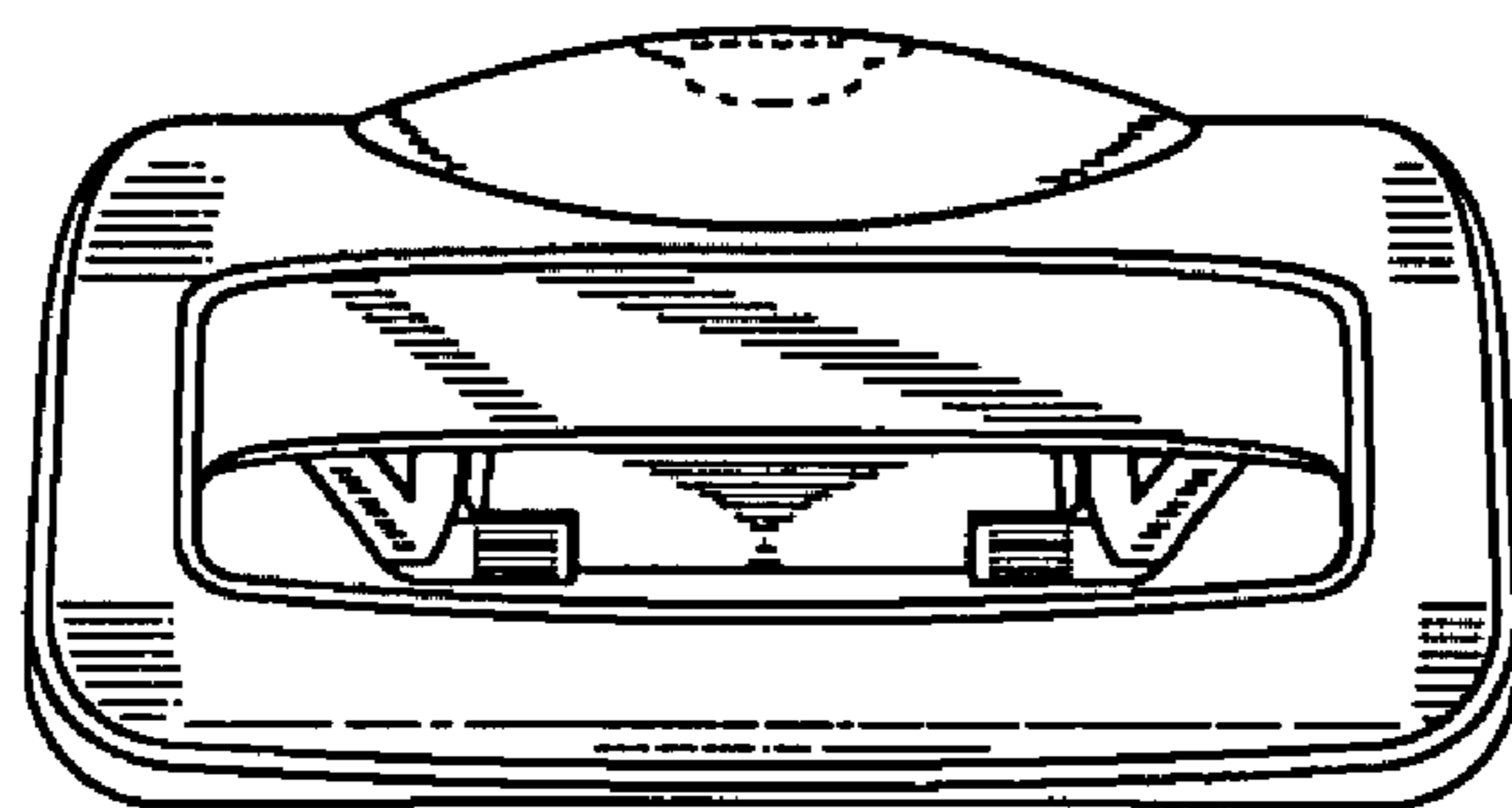


FIG. 7

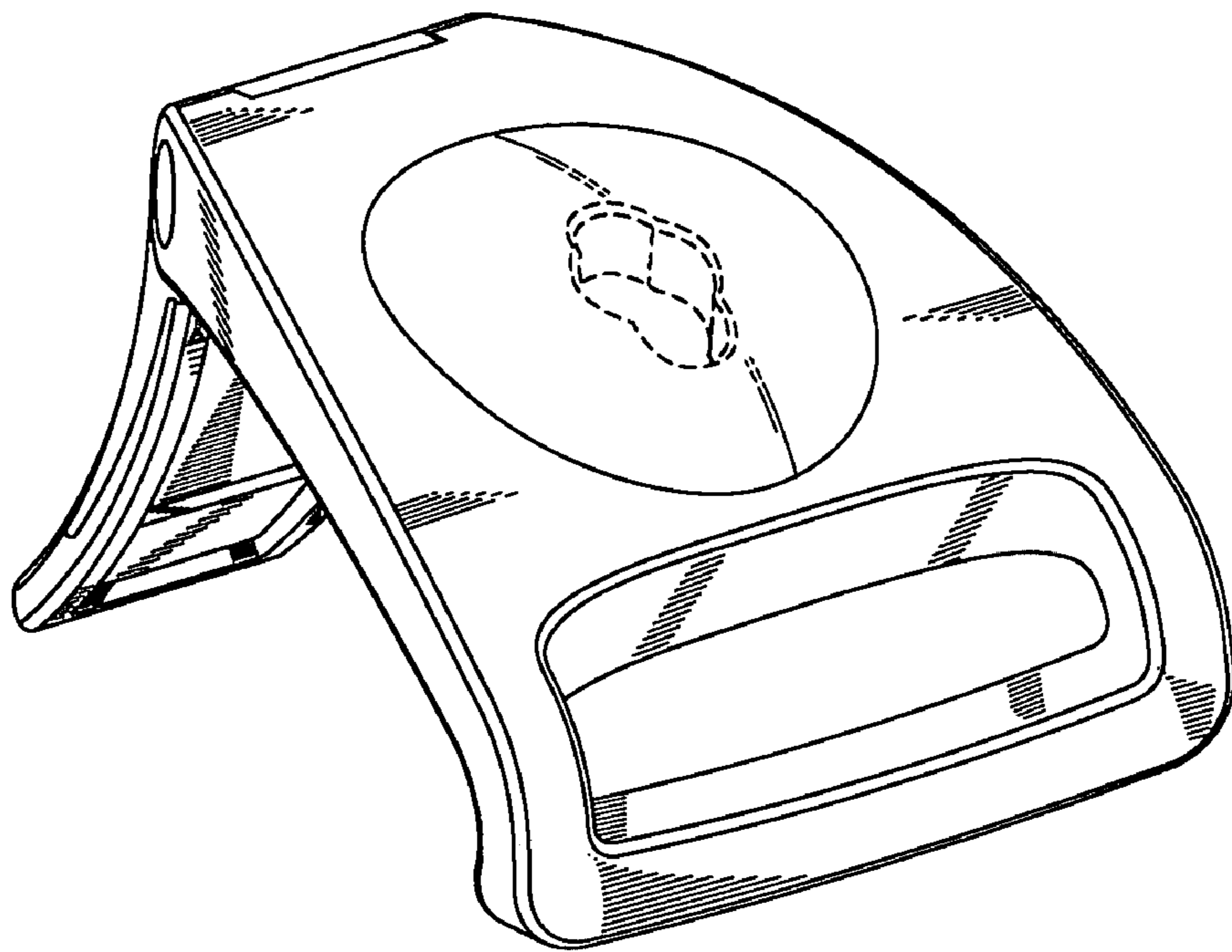


FIG. 8

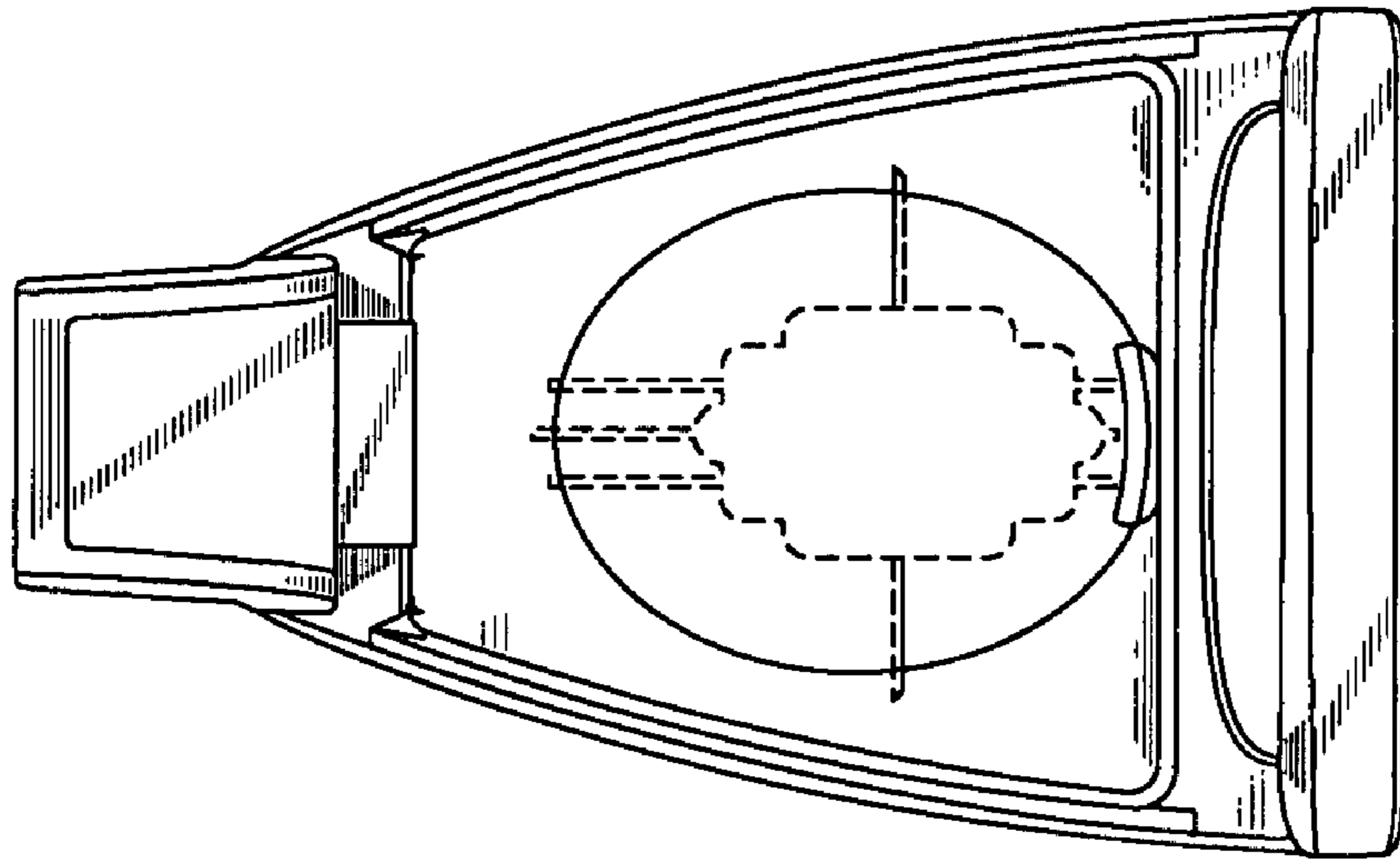


FIG. 9

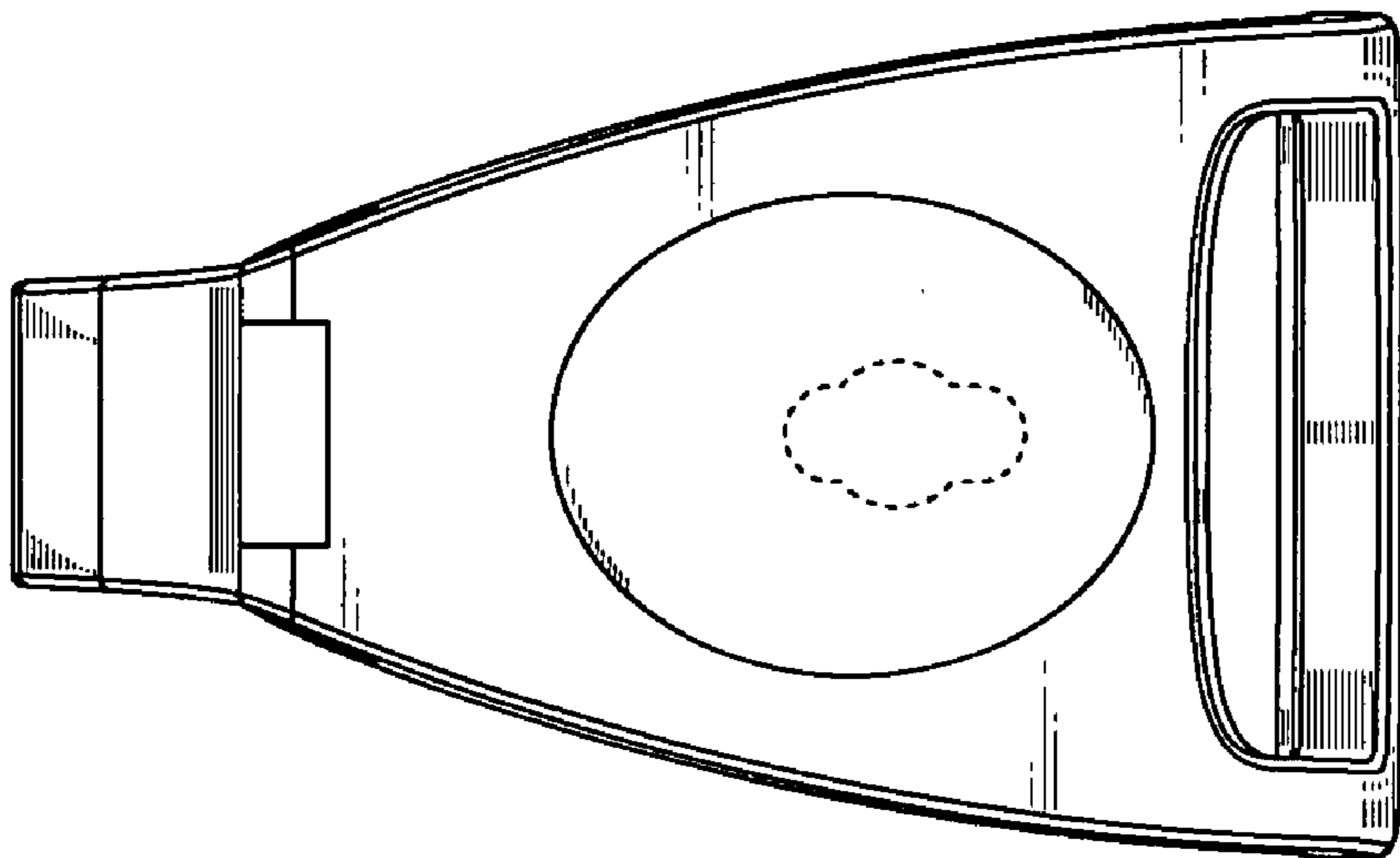


FIG. 10

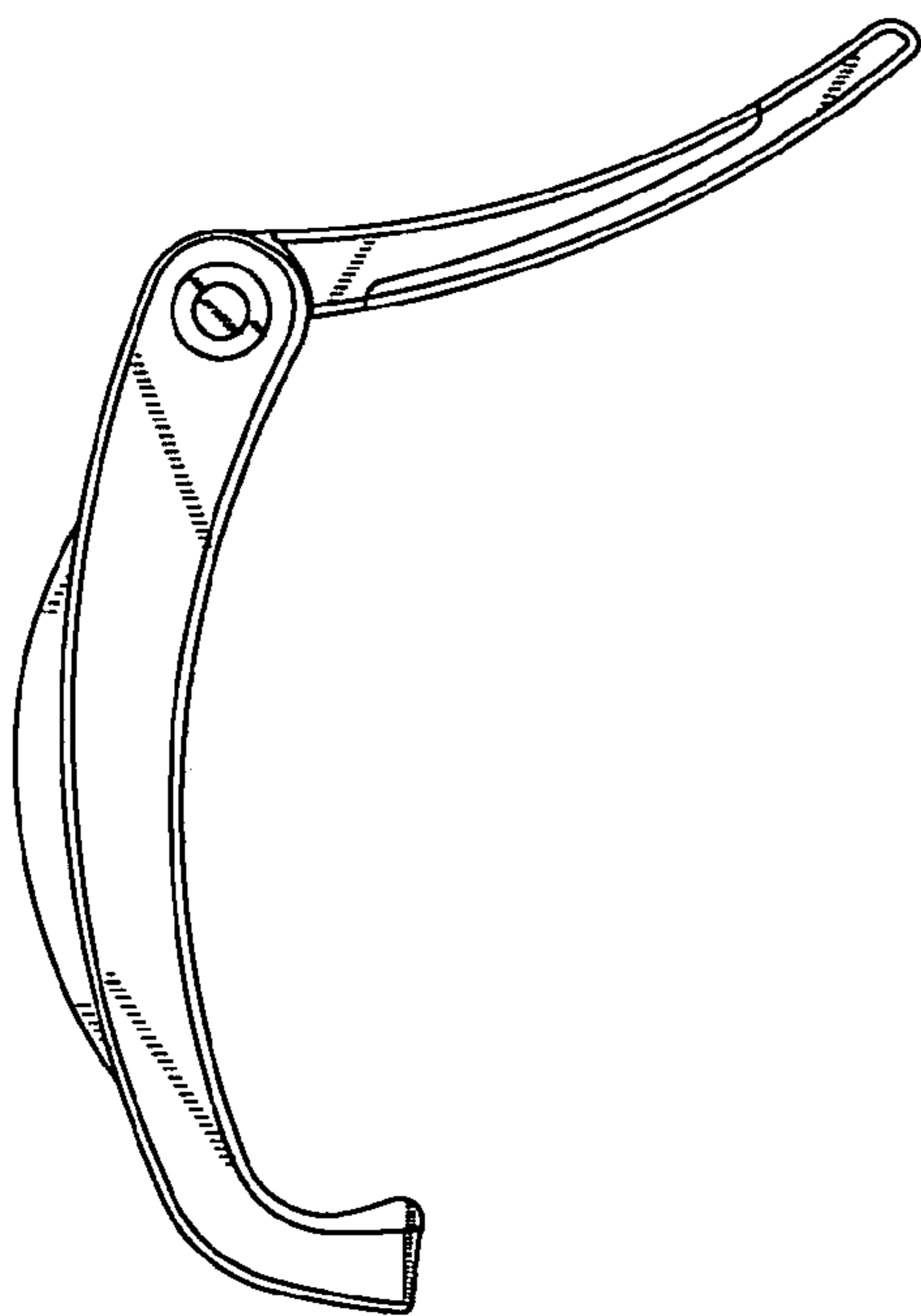


FIG. 11

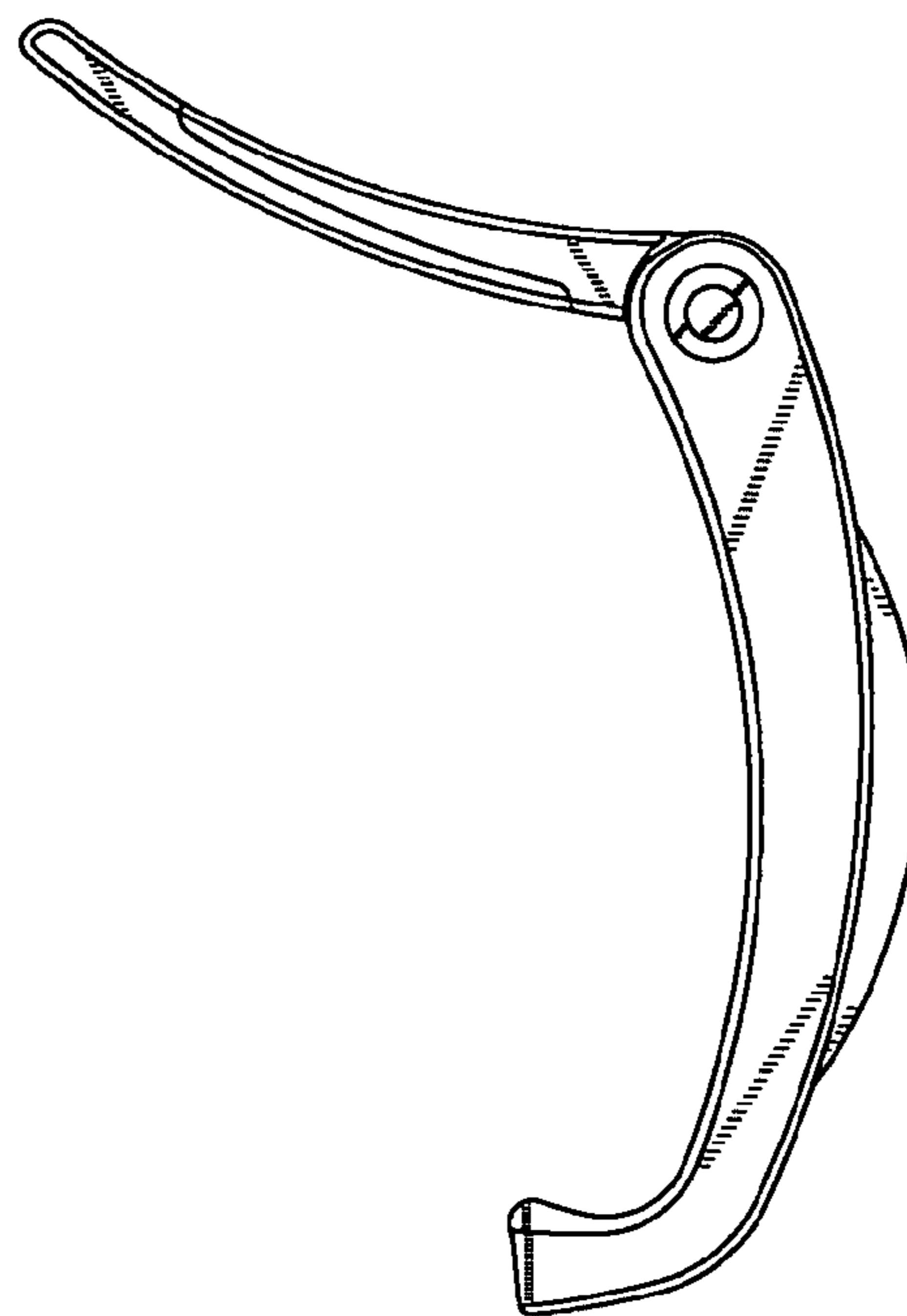


FIG. 12

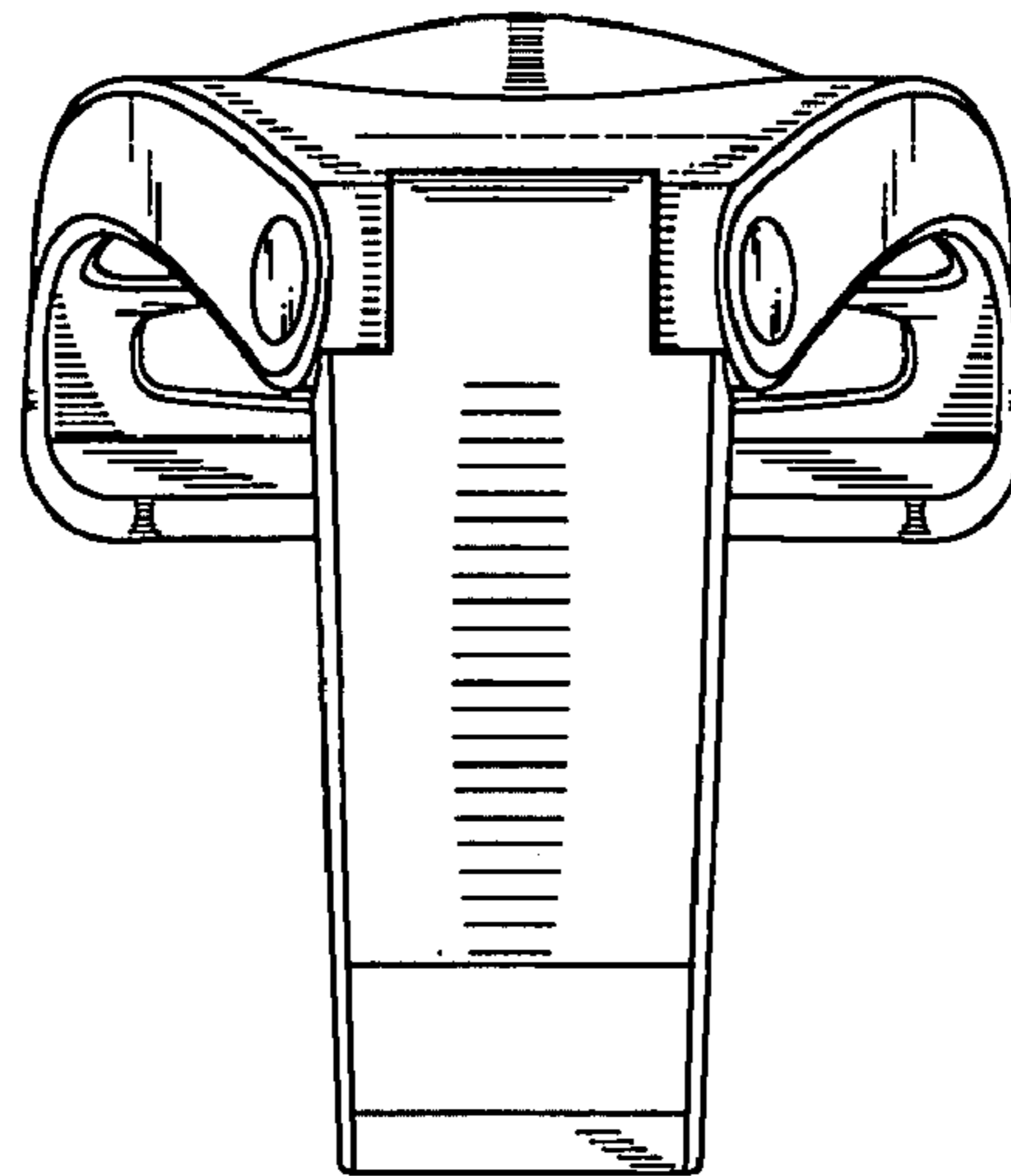


FIG. 13

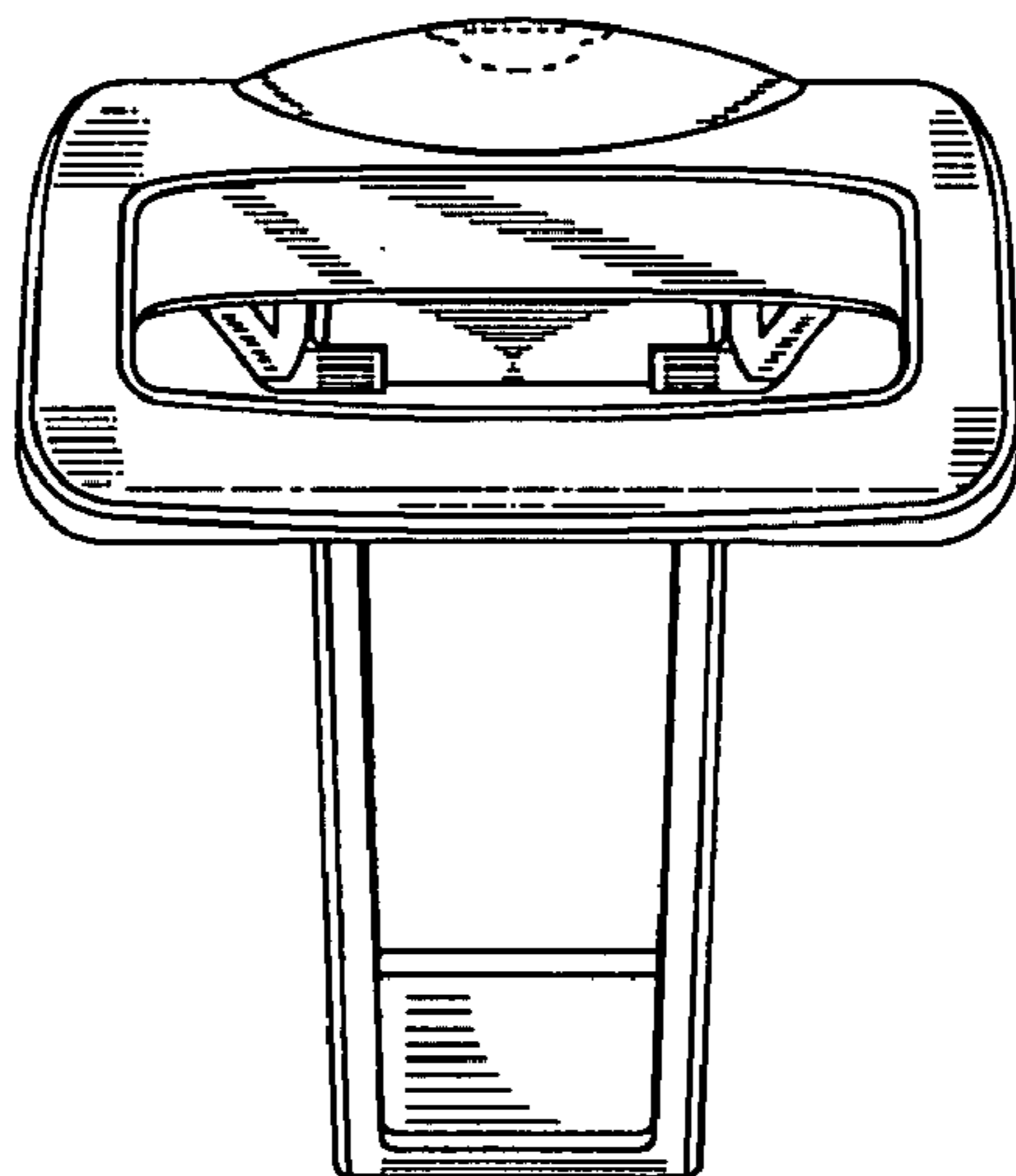


FIG. 14