



US00D555697S

(12) **United States Design Patent**
Kawabe et al.

(10) **Patent No.:** **US D555,697 S**

(45) **Date of Patent:** **** Nov. 20, 2007**

(54) **PROJECTOR**

(75) Inventors: **Genta Kawabe**, Nagano-ken (JP);
Wataru Suzuki, Nagano-ken (JP);
Tsuyoshi Arai, Nagano-ken (JP);
Hideki Takasuka, Nagano-ken (JP)

(73) Assignee: **Seiko Epson Corporation**, Tokyo (JP)

(**) Term: **14 Years**

(21) Appl. No.: **29/272,747**

(22) Filed: **Feb. 16, 2007**

Related U.S. Application Data

(62) Division of application No. 29/262,872, filed on Jul. 13, 2006.

(30) **Foreign Application Priority Data**

May 19, 2006 (JP) 2006-012674
May 19, 2006 (JP) 2006-012675

(51) **LOC (8) Cl.** **16-02**

(52) **U.S. Cl.** **D16/230; D16/225**

(58) **Field of Classification Search** D16/205,
D16/206, 208, 214, 217, 221, 225, 229-232;
D21/514; 353/115, 119, 122

See application file for complete search history.

(56) **References Cited**

U.S. PATENT DOCUMENTS

D398,321 S * 9/1998 Iida D16/230

D480,409 S * 10/2003 Wang et al. D16/230
D480,410 S * 10/2003 Morishita et al. D16/230
D492,338 S * 6/2004 Ooshima D16/230
D504,453 S * 4/2005 Junsu et al. D16/231
D513,515 S * 1/2006 Ooshima et al. D16/230
D522,561 S * 6/2006 Ikeuchi et al. D16/230
D523,058 S * 6/2006 On et al. D16/230
D545,864 S * 7/2007 Naruki D16/230

* cited by examiner

Primary Examiner—Ian Simmons

Assistant Examiner—Wan Laymon

(74) *Attorney, Agent, or Firm*—Oliff & Berridge, PLC

(57) **CLAIM**

The ornamental design for a projector, as shown and described.

DESCRIPTION

FIG. 1 is a perspective view of a projector showing our new design;

FIG. 2 is a front view thereof;

FIG. 3 is a rear view thereof;

FIG. 4 is a left-side view thereof;

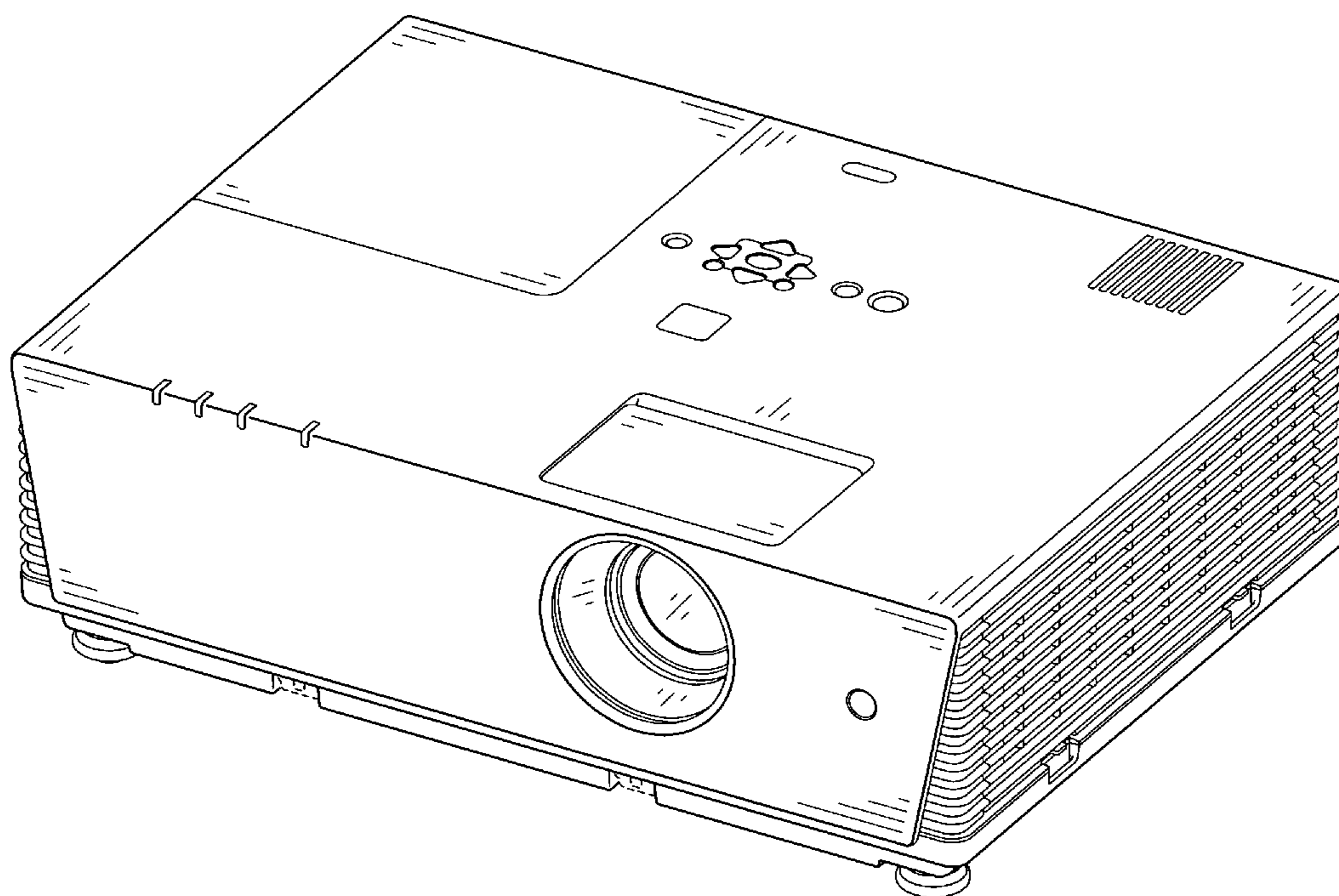
FIG. 5 is a right-side view thereof;

FIG. 6 is a top view thereof; and,

FIG. 7 is a bottom view thereof.

The broken lines in Figures are for illustrative purposes only and form no part of the claimed design.

1 Claim, 7 Drawing Sheets



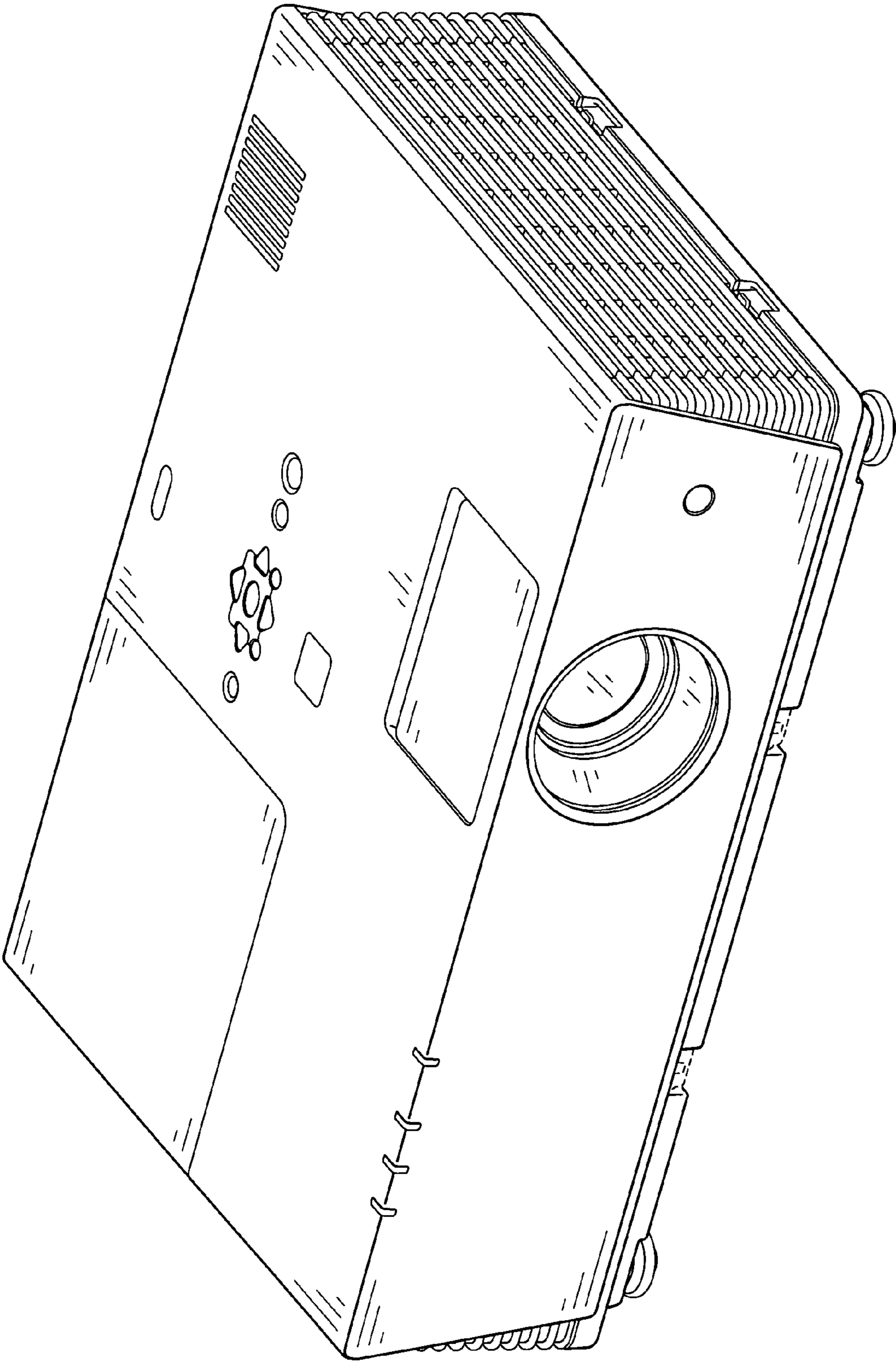


FIG. 1

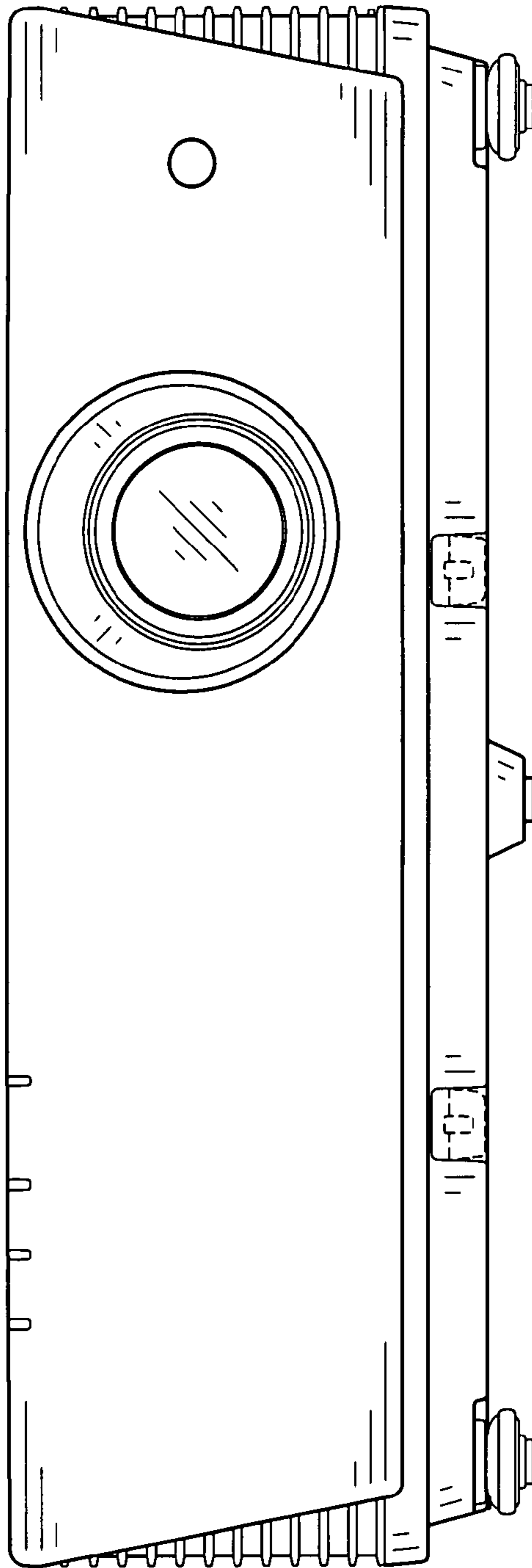


FIG. 2

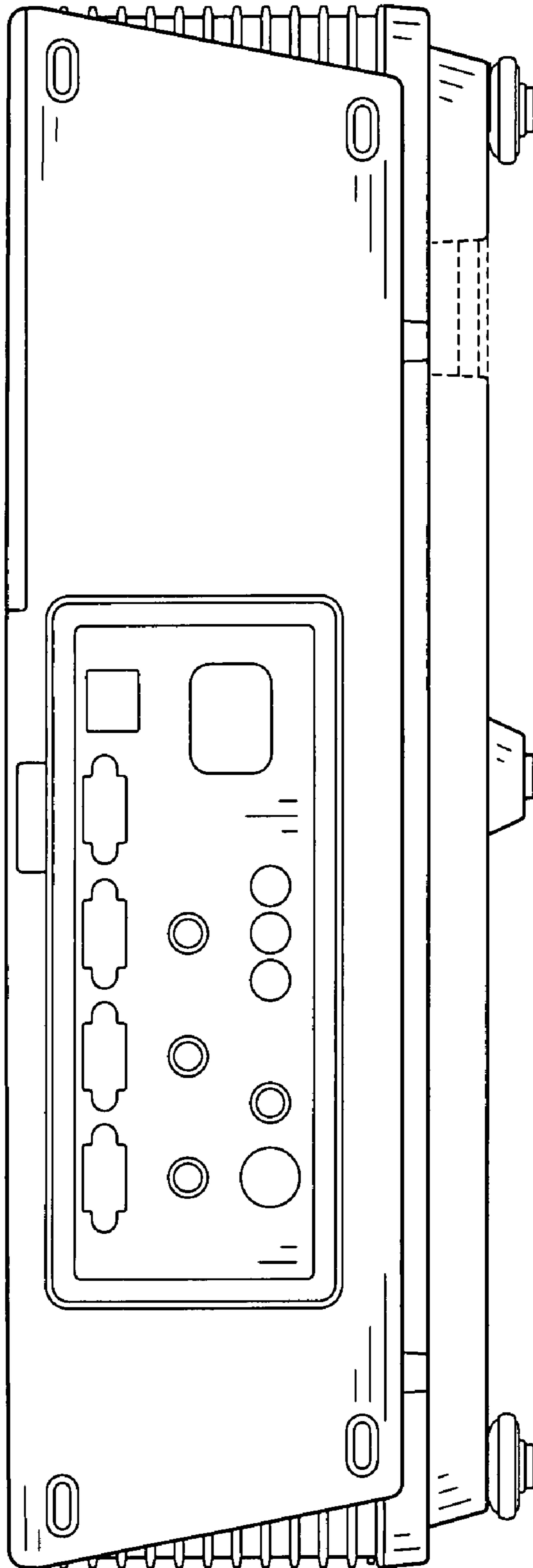


FIG. 3

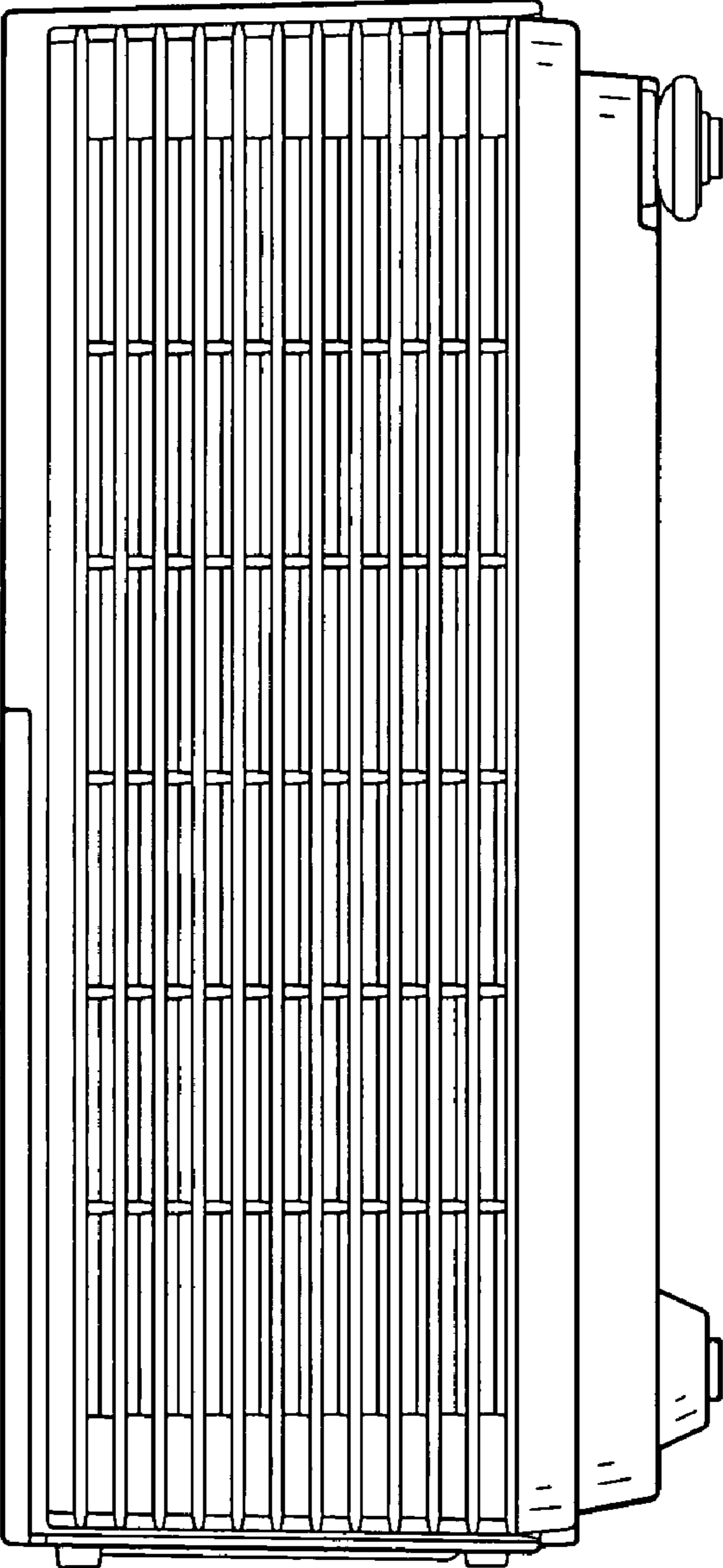


FIG. 4

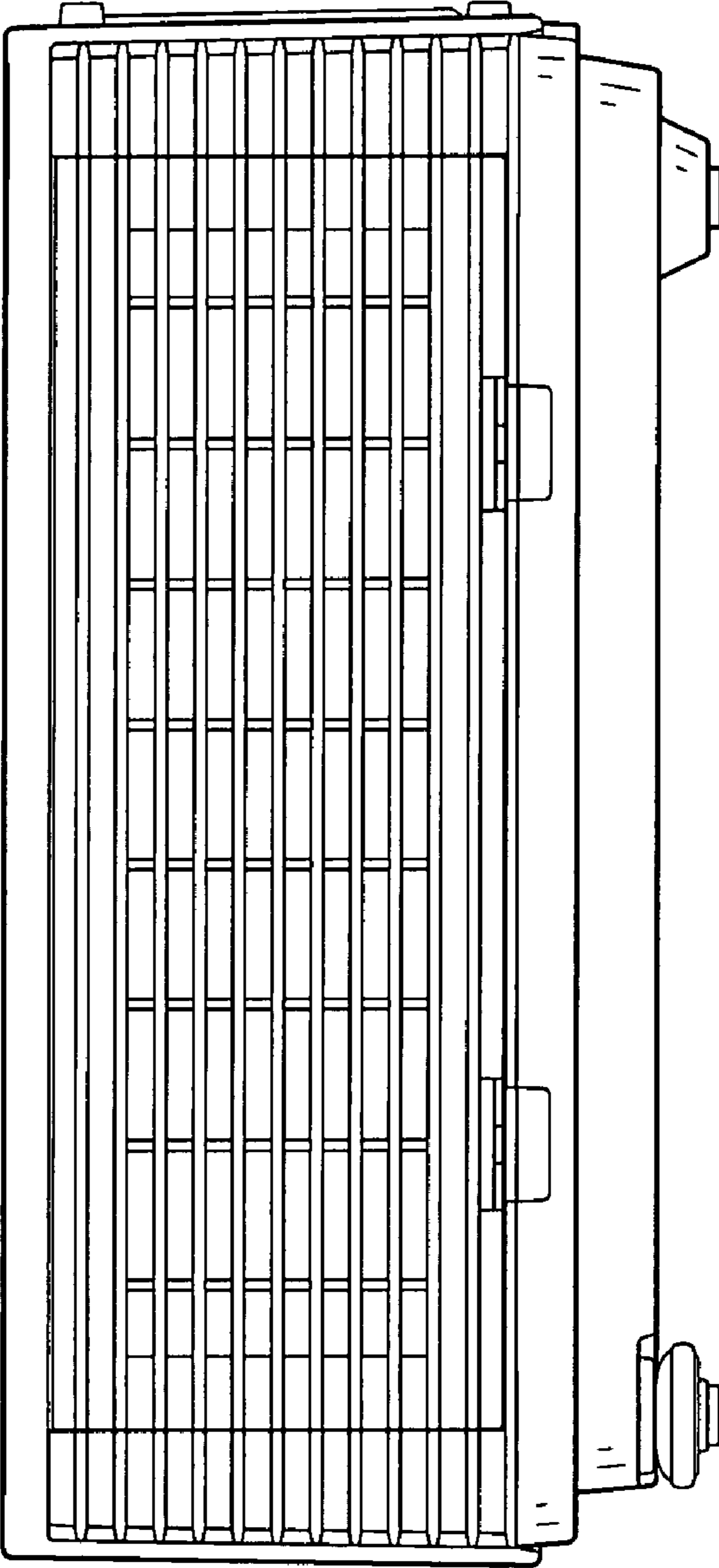


FIG. 5

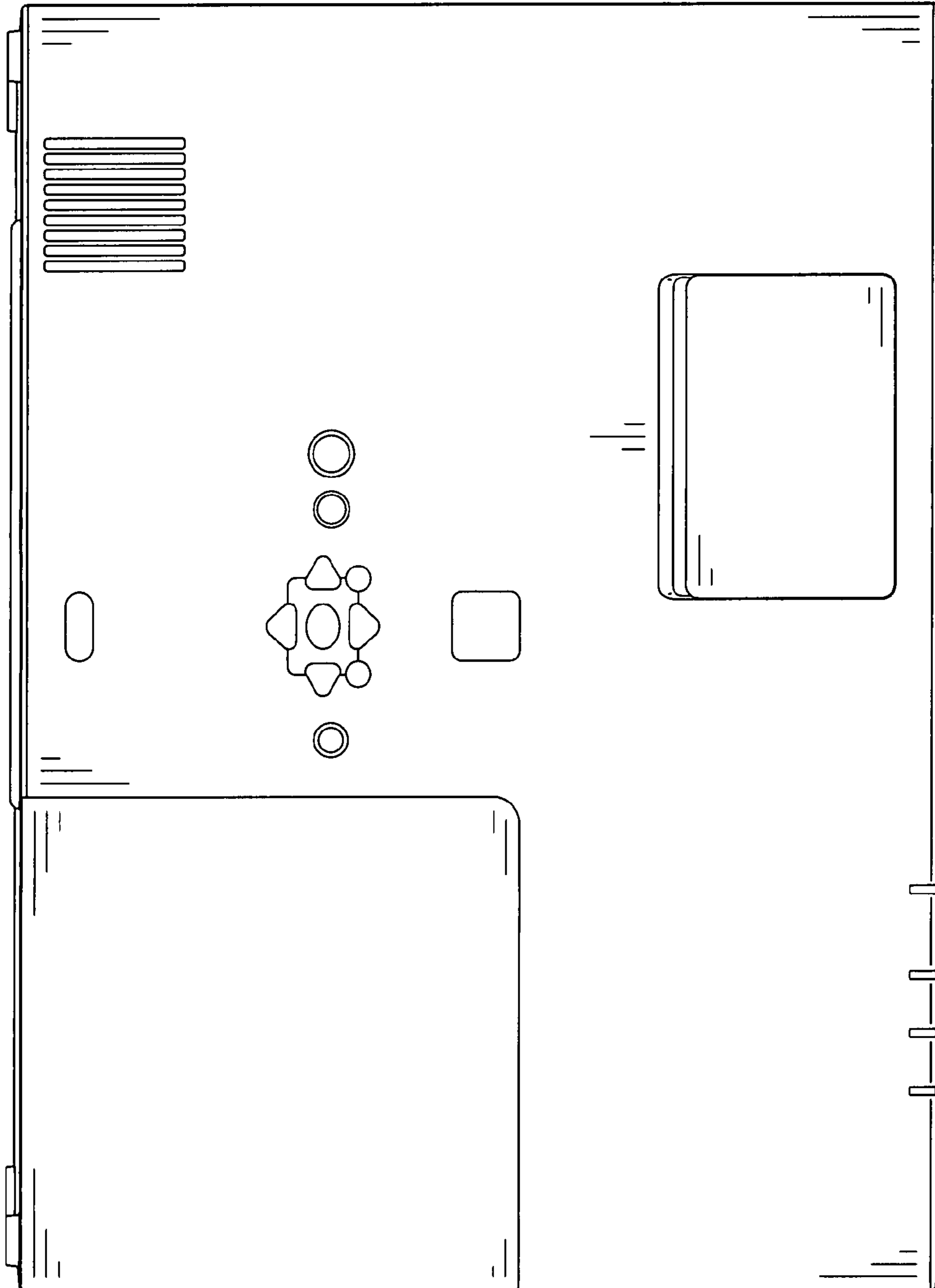


FIG. 6

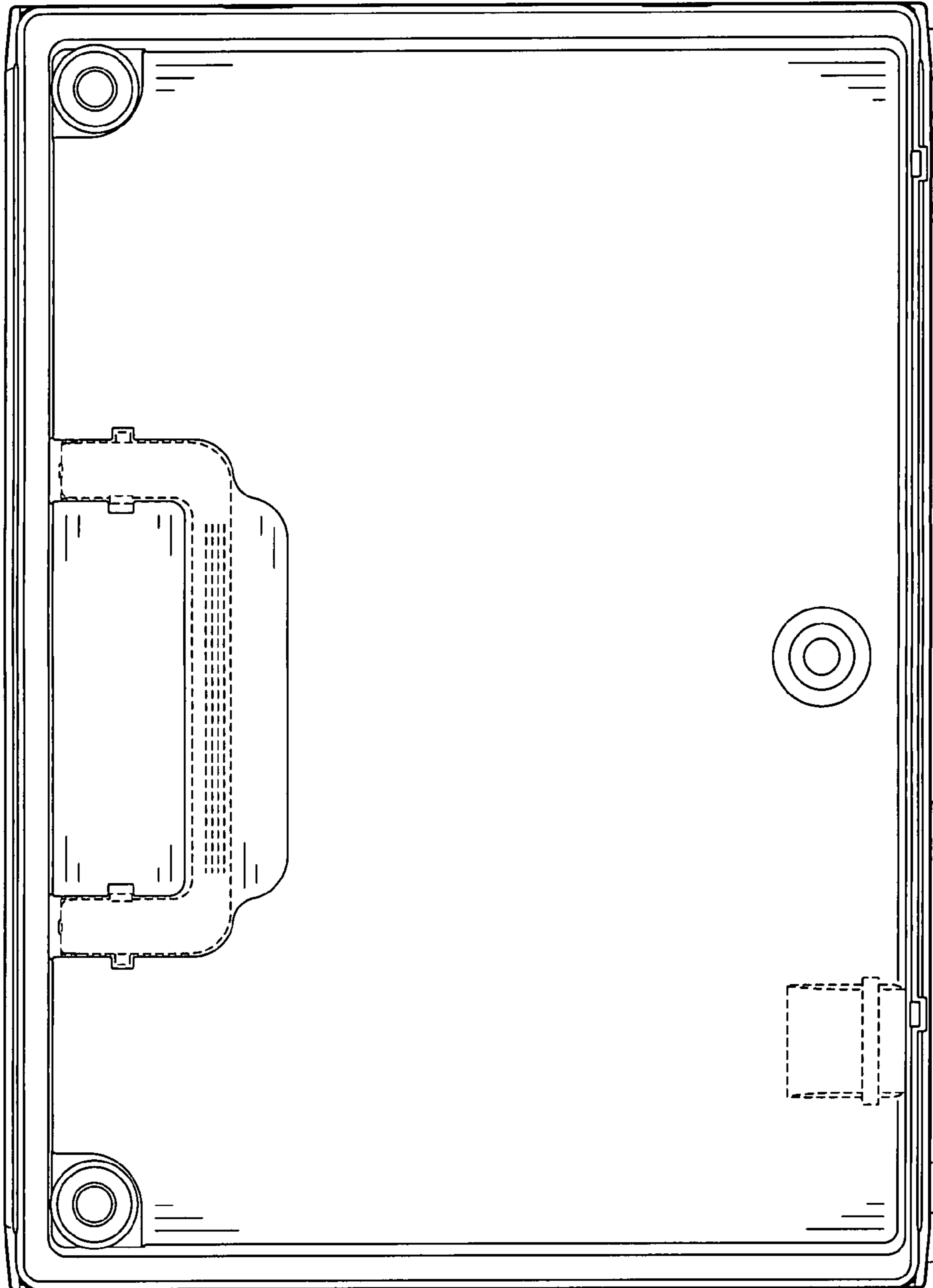


FIG. 7