



US00D555696S

(12) **United States Design Patent** (10) **Patent No.:** **US D555,696 S**
Naruki (45) **Date of Patent:** **** Nov. 20, 2007**

(54) **PROJECTOR** JP D1094300 12/2000
JP D1144873 6/2002
(75) Inventor: **Masatomo Naruki**, Kawasaki (JP) JP D1201429 4/2004

(73) Assignee: **Kabushiki Kaisha Toshiba** (JP)

(**) Term: **14 Years**

(21) Appl. No.: **29/243,673**

(22) Filed: **Nov. 30, 2005**

(30) **Foreign Application Priority Data**

Oct. 13, 2005 (JP) 2005-029833

(51) **LOC (8) Cl.** **16-02**

(52) **U.S. Cl.** **D16/230; D16/225**

(58) **Field of Classification Search** D16/205,
D16/208, 213, 221, 225, 230, 231, 234, 235;
D21/514; 352/34, 242; 353/115, 119, 122;
349/5-9, 58

See application file for complete search history.

(56) **References Cited**

U.S. PATENT DOCUMENTS

D429,270 S 8/2000 Ishibashi et al.
D449,637 S 10/2001 Hayashi et al.
D450,076 S * 11/2001 Fujimaki D16/230
D463,474 S 9/2002 Kawashima
D463,475 S 9/2002 Kawashima
D463,476 S 9/2002 Takizawa
D474,799 S * 5/2003 Kawasaki et al. D16/230
D475,389 S 6/2003 Kurokawa
D480,408 S 10/2003 Kawashima
D492,338 S 6/2004 Ooshima
D503,733 S 4/2005 Kurokawa
D504,453 S * 4/2005 Junsu et al. D16/231
D506,771 S 6/2005 Ooshima et al.
D511,353 S 11/2005 Kawashima
D513,515 S 1/2006 Ooshima et al.
D531,654 S * 11/2006 Lin et al. D16/230

FOREIGN PATENT DOCUMENTS

JP 947328 2/1996

OTHER PUBLICATIONS

B&H Summer Catalog, pp. 124-127, dated Jun. 2004.

* cited by examiner

Primary Examiner—Ian Simmons

Assistant Examiner—Wan Laymon

(74) *Attorney, Agent, or Firm*—Banner & Witcoff, Ltd.

(57) **CLAIM**

The ornamental design for a projector, as shown and described.

DESCRIPTION

FIG. 1 is a front, top and right side perspective view of a projector showing my new design,

FIG. 2 is a perspective view showing the projector with a lens cover being detached,

FIG. 3 is a front elevational view thereof,

FIG. 4 is a rear elevational view thereof,

FIG. 5 is a left side elevational view thereof,

FIG. 6 is a right side elevational view thereof,

FIG. 7 is a top plan view thereof.

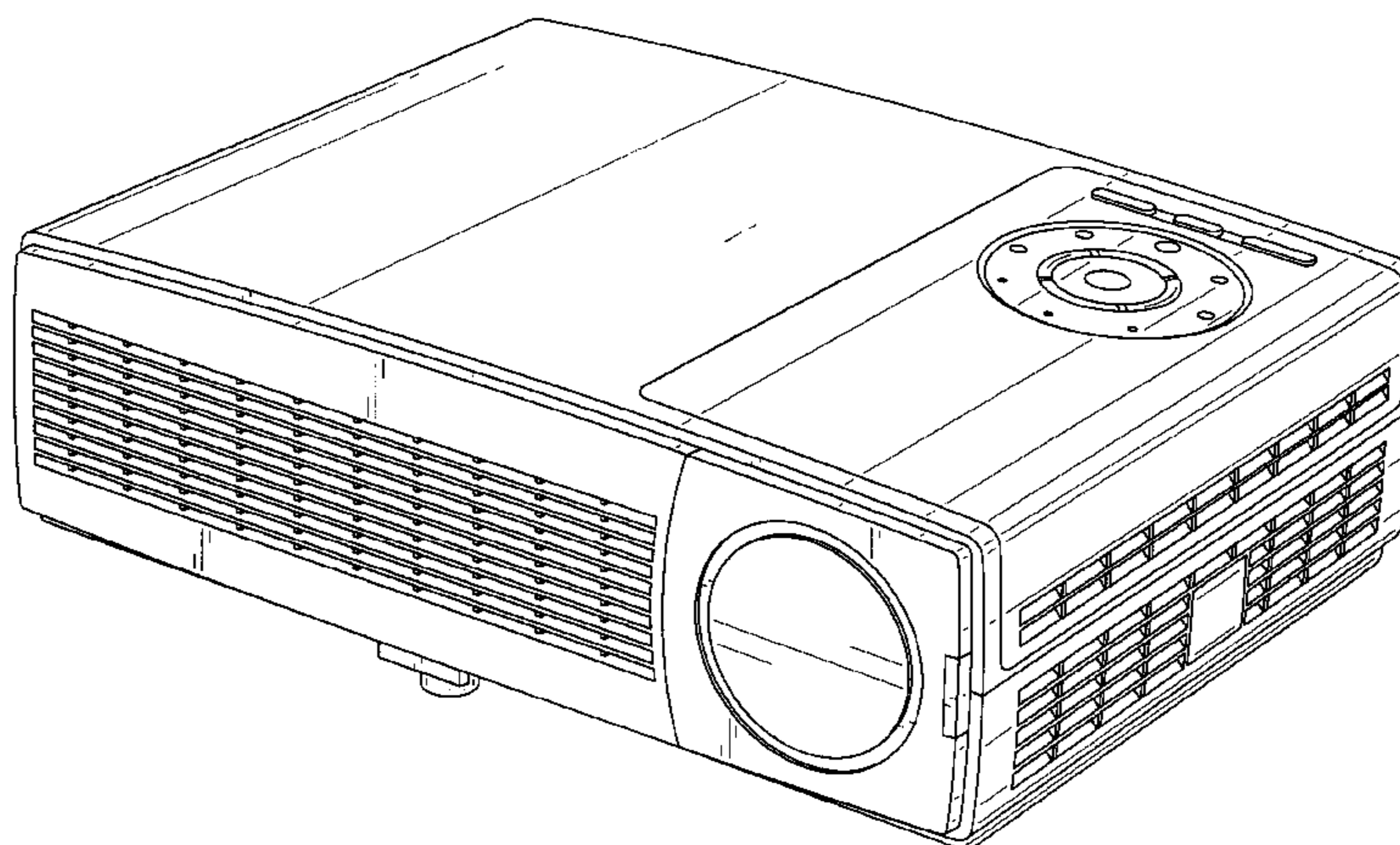
FIG. 8 is a bottom plan view thereof,

FIG. 9 is a front elevational view showing the projector with a lens cover being detached thereof,

FIG. 10 is a right side elevational view showing the projector with a lens cover being detached; and,

FIG. 11 is a top plan view showing the projector with a lens cover being detached.

1 Claim, 11 Drawing Sheets



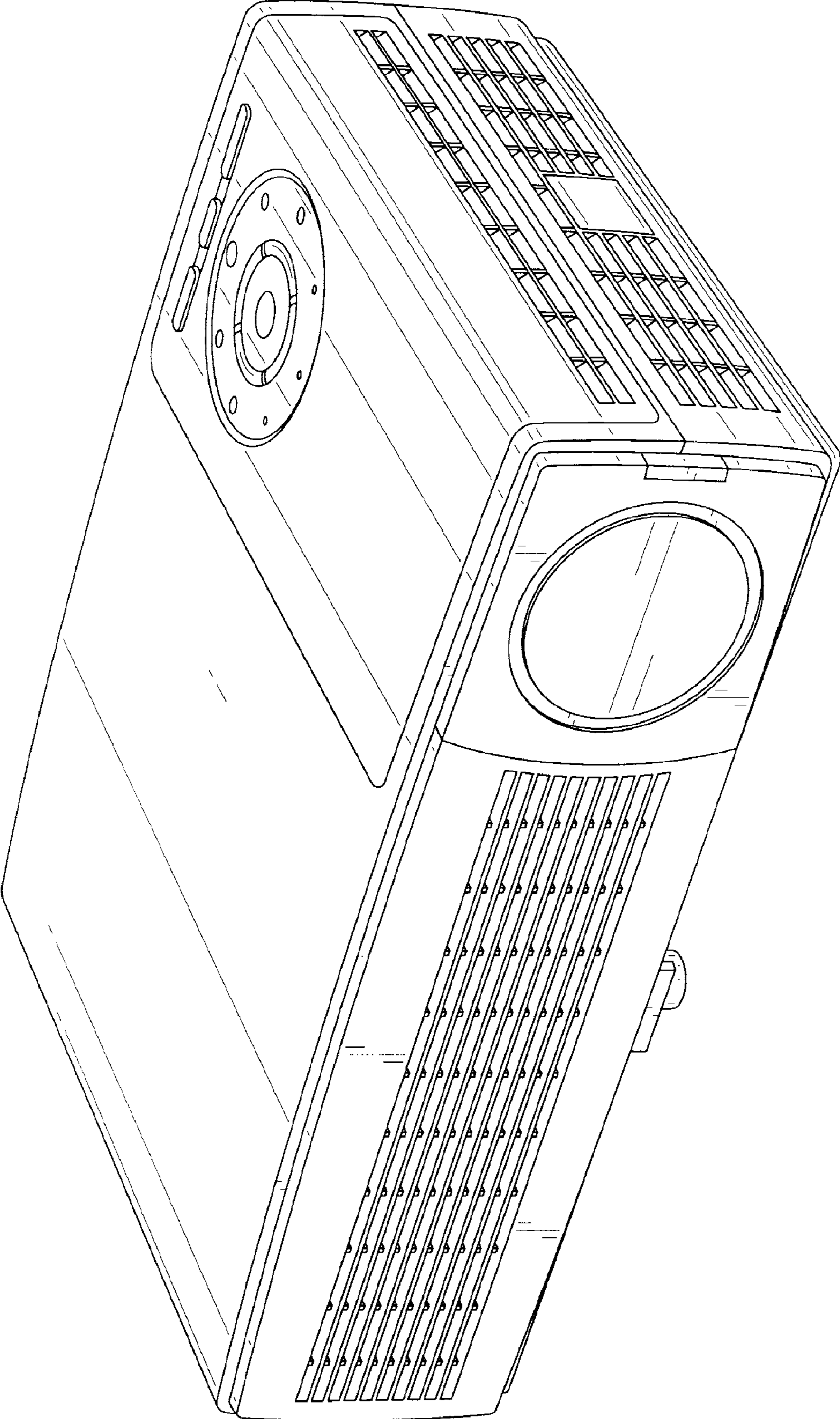


FIG. 1

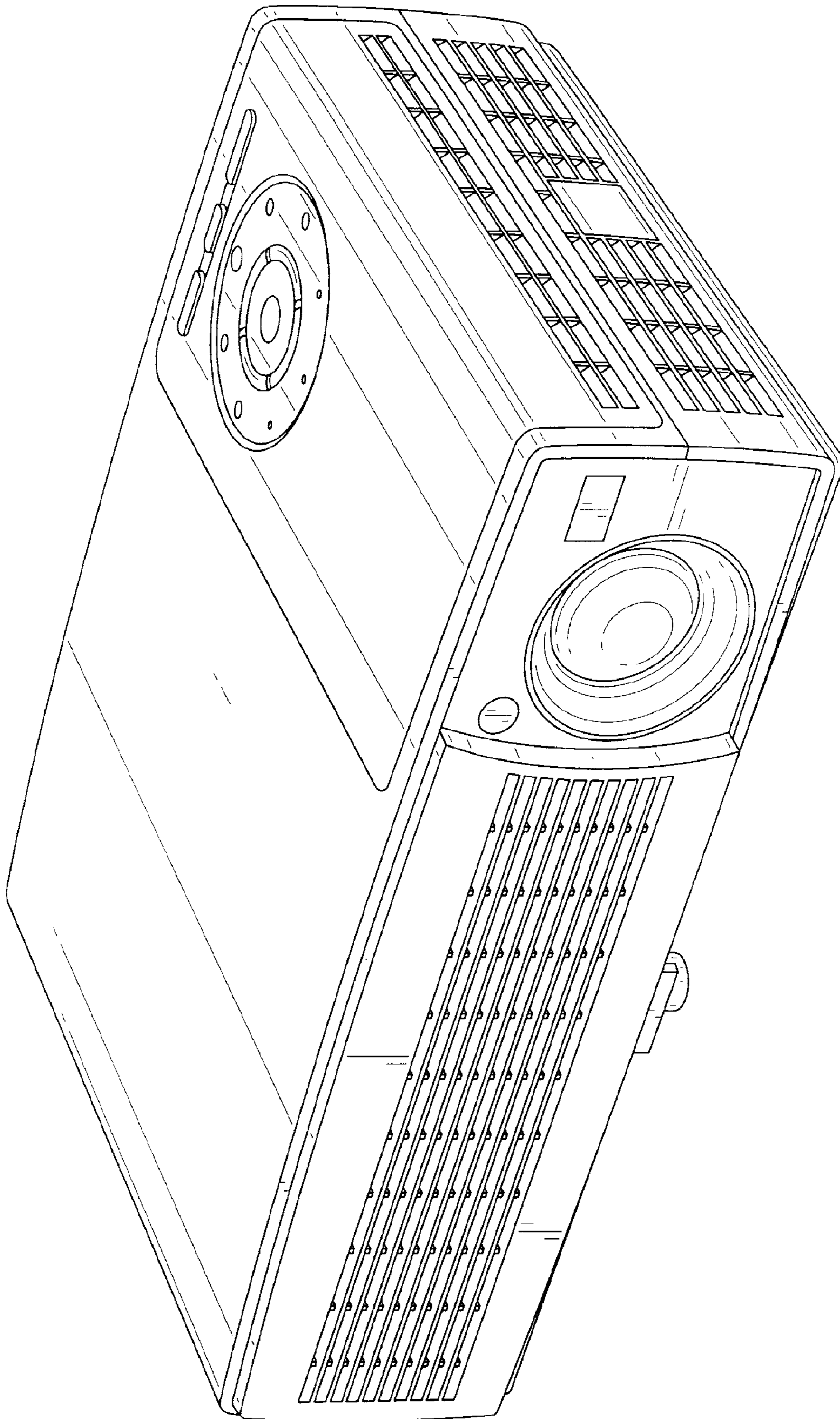


FIG. 2

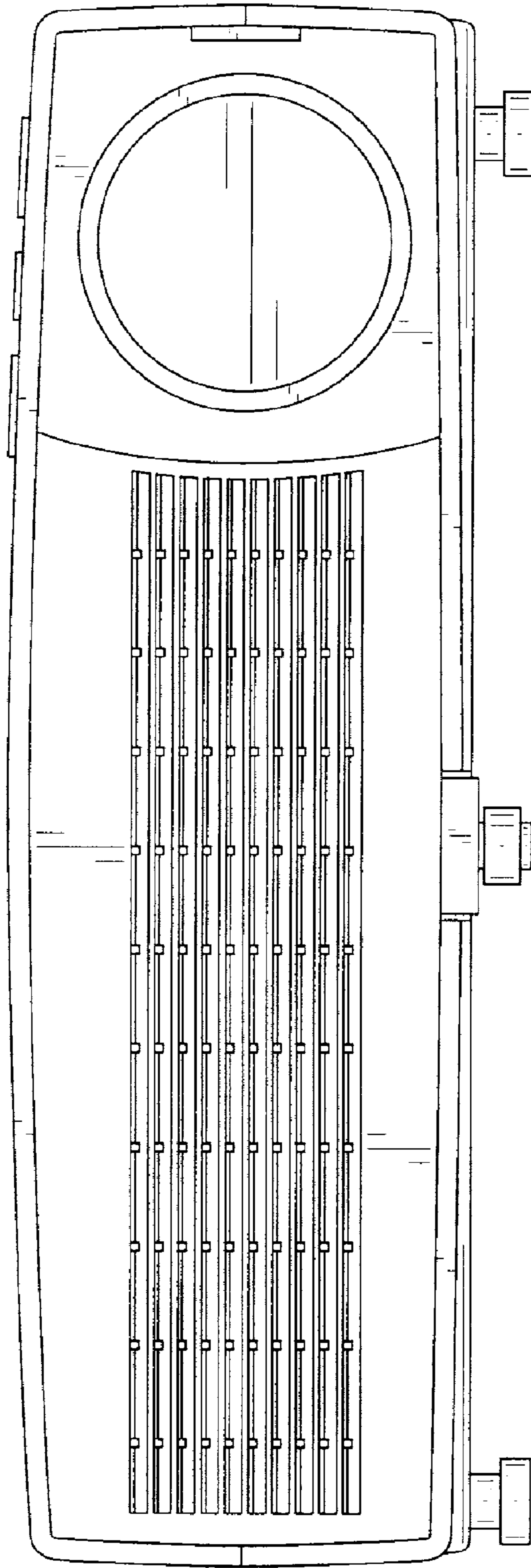


FIG. 3

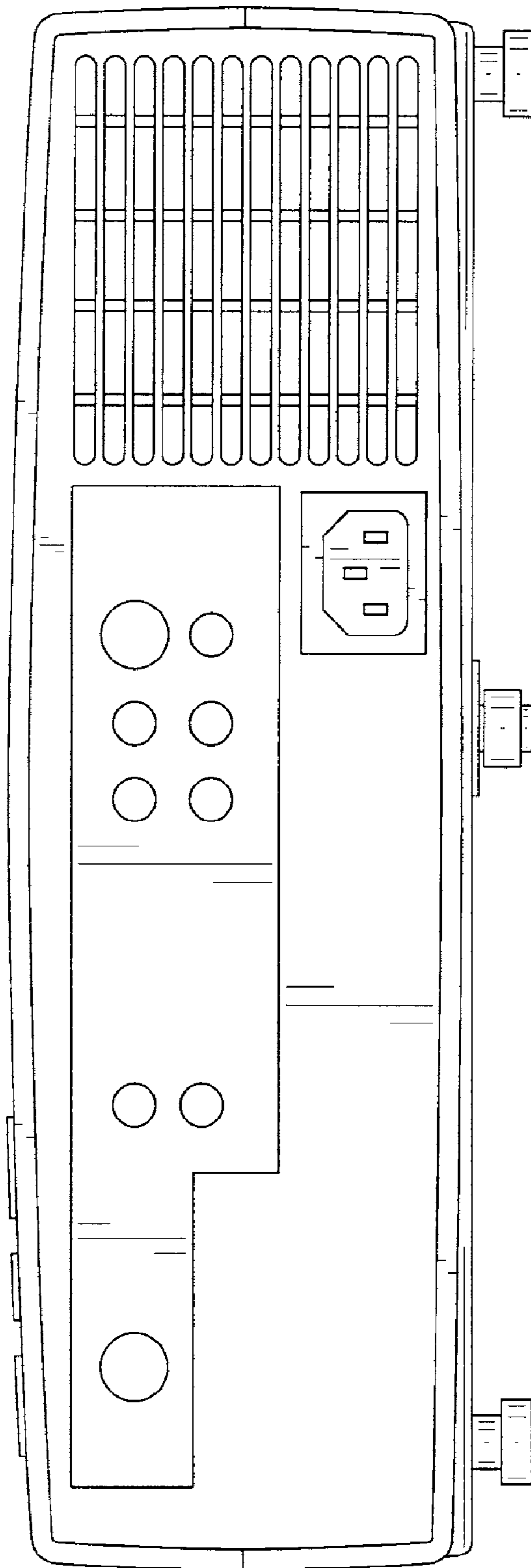


FIG. 4

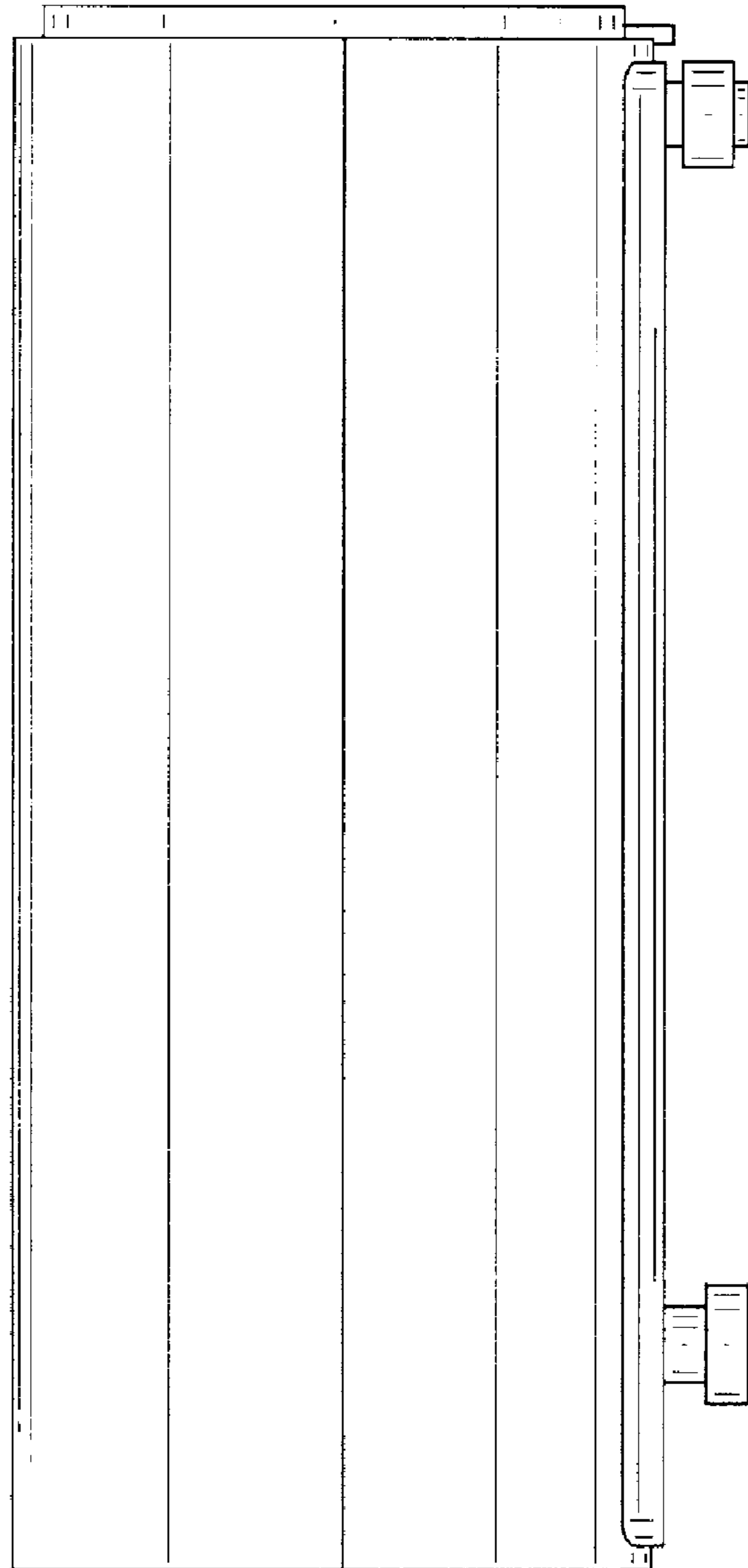


FIG. 5

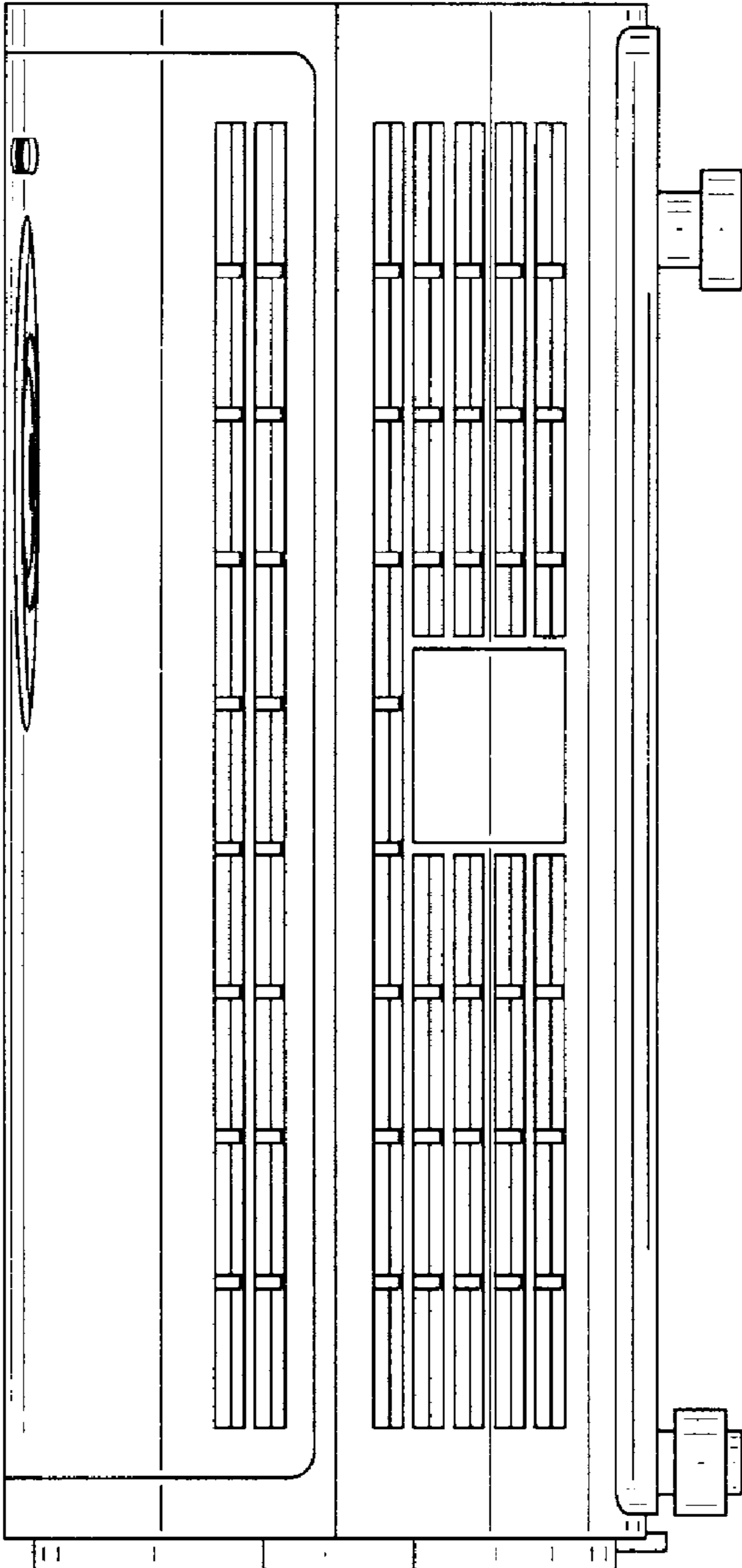


FIG. 6

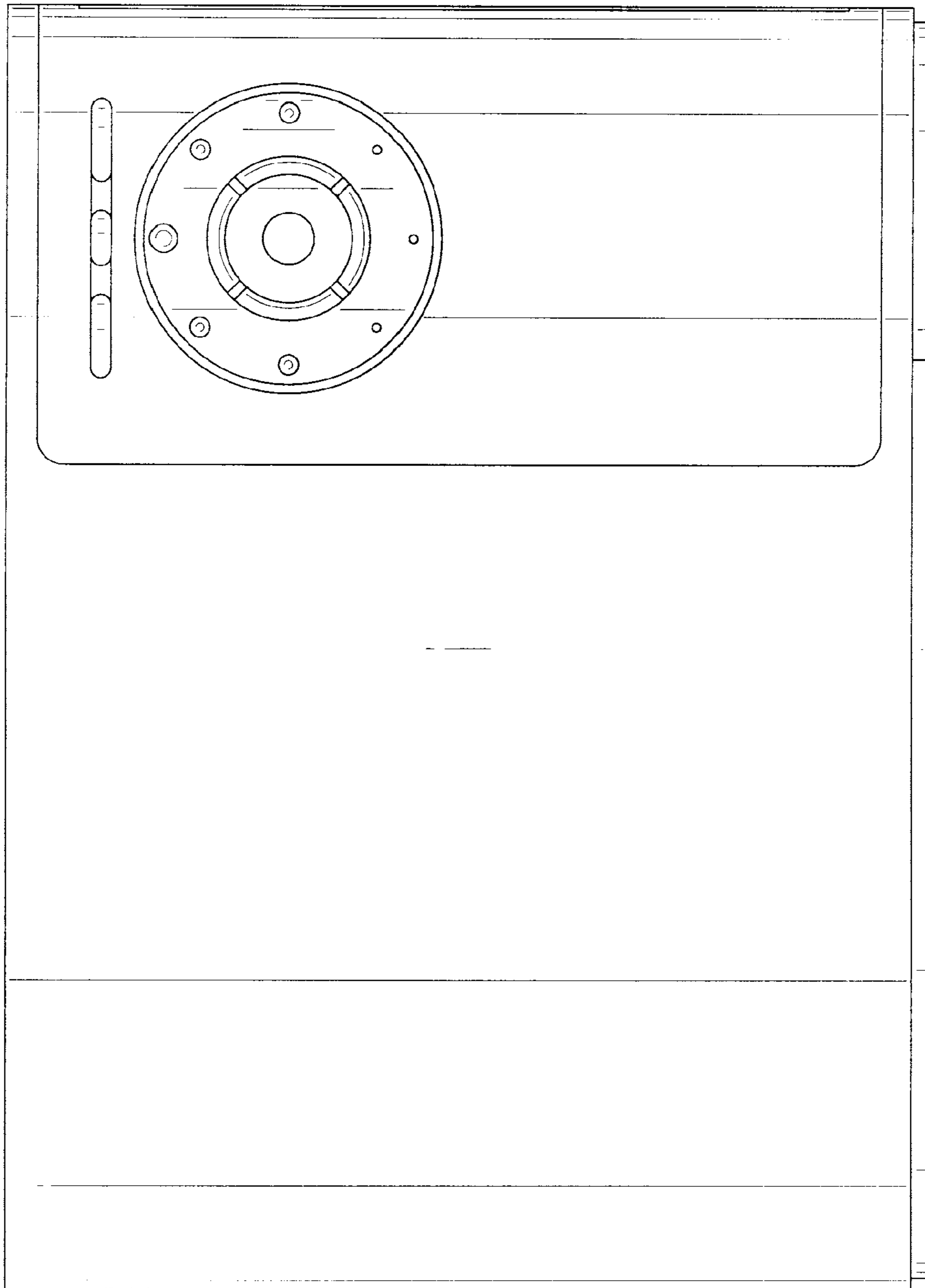


FIG. 7

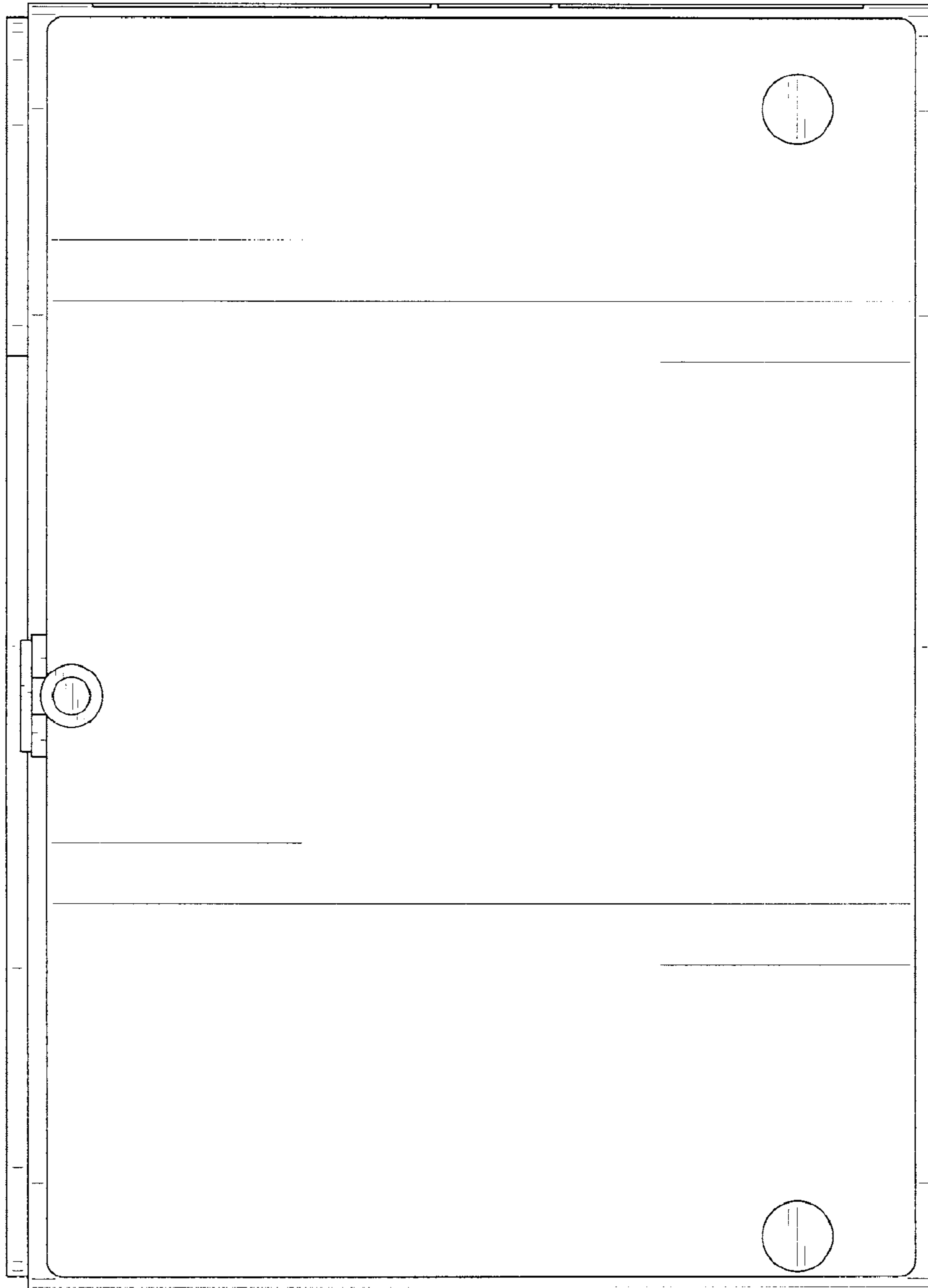


FIG. 8

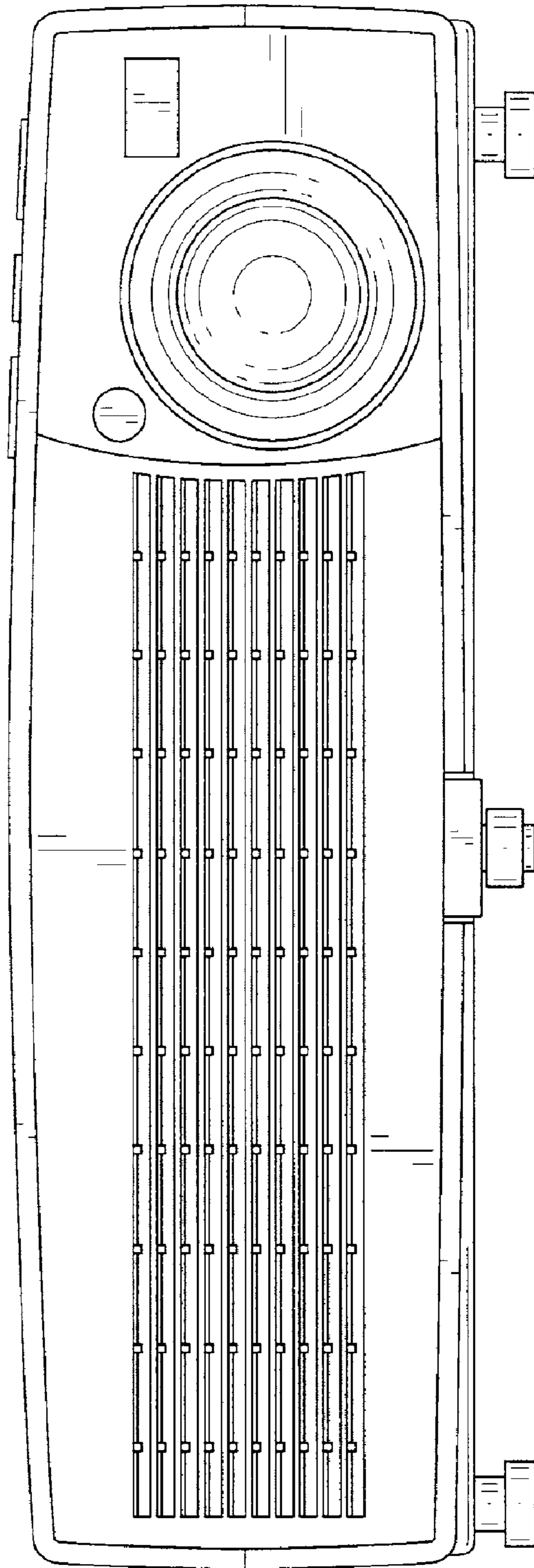


FIG. 9

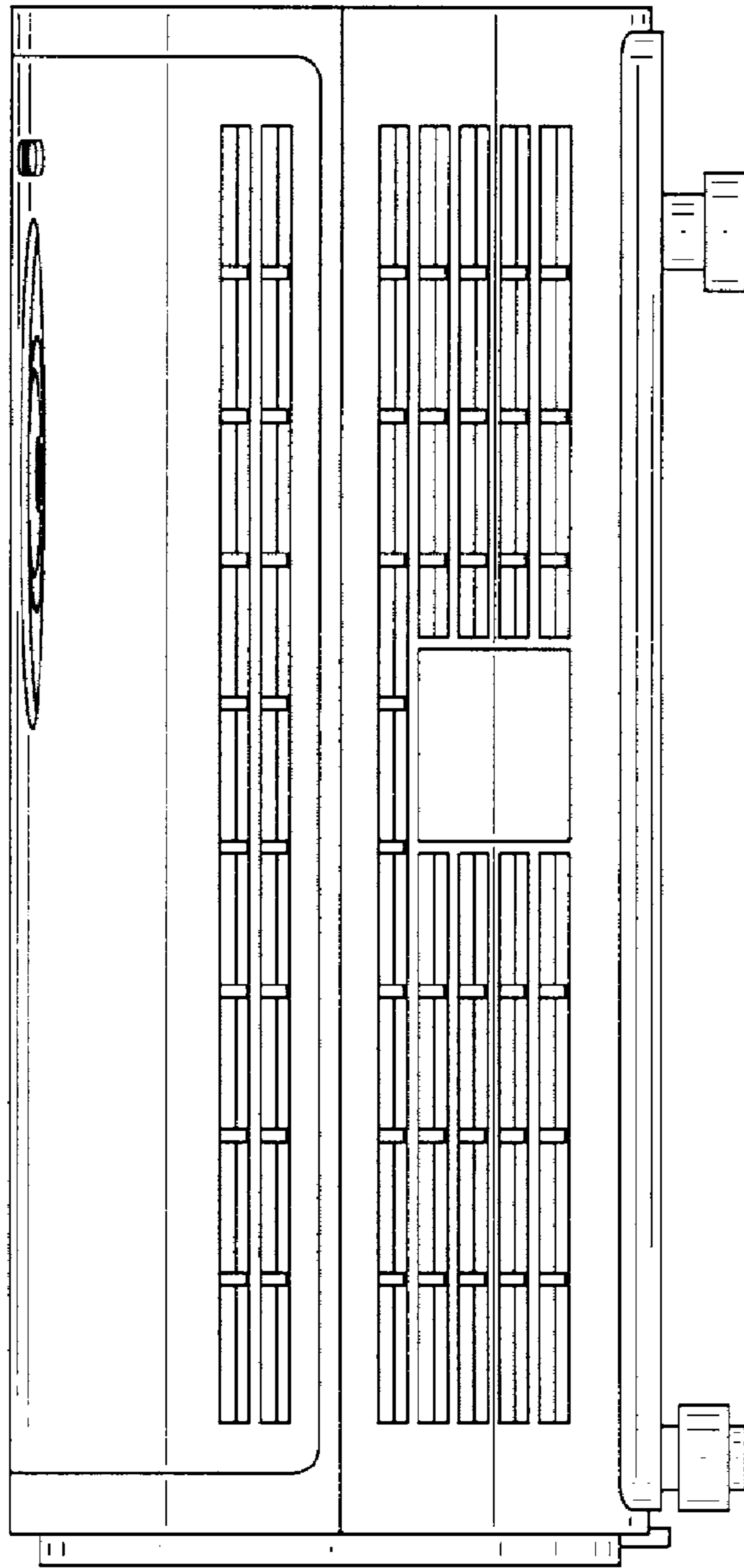


FIG. 10

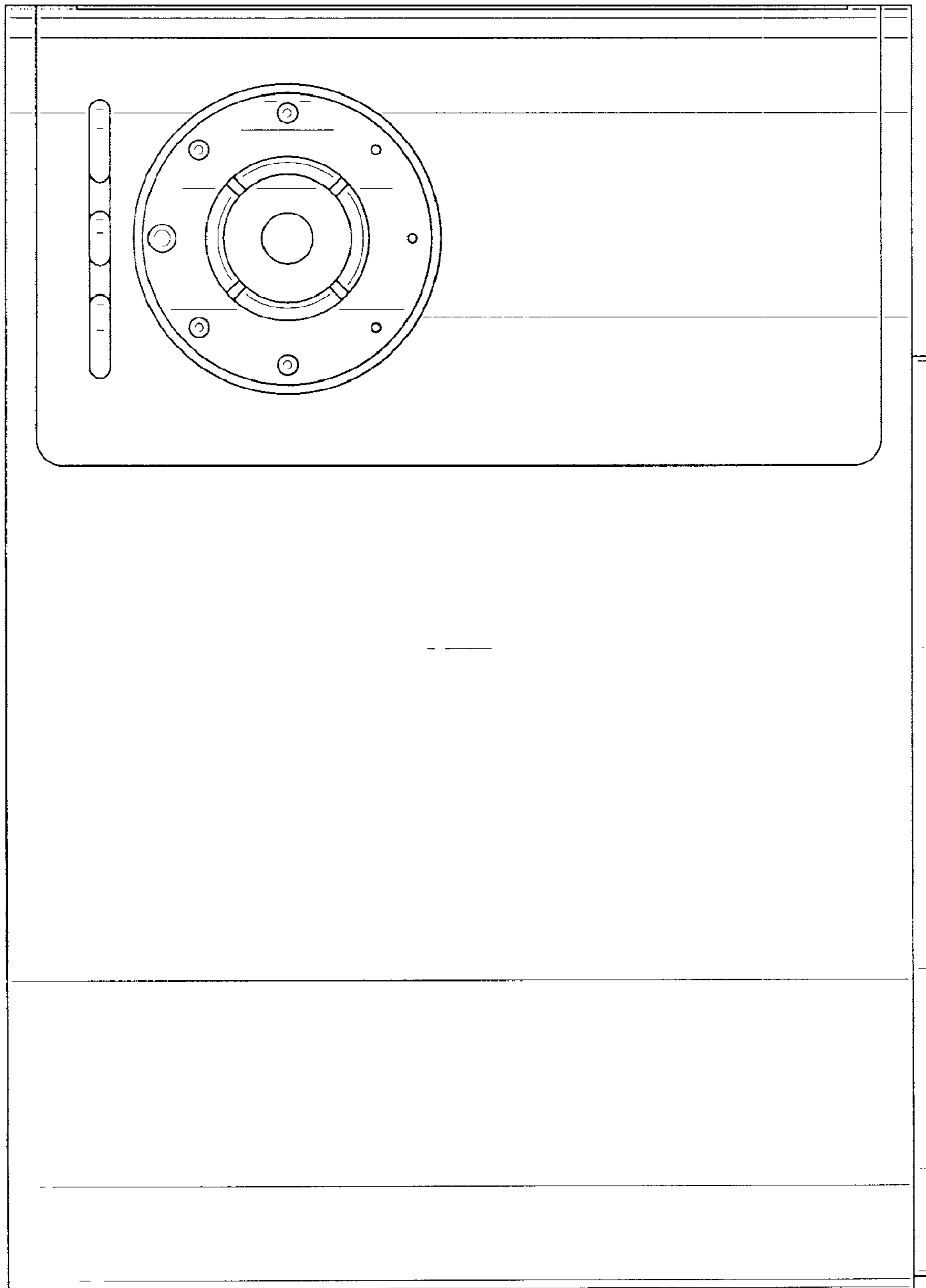


FIG. 11