



US00D555695S

(12) **United States Design Patent** (10) **Patent No.:** **US D555,695 S**
Senda (45) **Date of Patent:** **** Nov. 20, 2007**

(54) **ELECTRONIC CAMERA**

(75) Inventor: **Yutaka Senda**, Tokyo (JP)

(73) Assignee: **Fujifilm Corporation**, Tokyo (JP)

(**) Term: **14 Years**

(21) Appl. No.: **29/259,723**

(22) Filed: **May 16, 2006**

(30) **Foreign Application Priority Data**

Nov. 17, 2005 (JP) 2005-033939

(51) **LOC (8) Cl.** **16-05**

(52) **U.S. Cl.** **D16/219**

(58) **Field of Classification Search** D16/200–205,
D16/208–209, 218–219, 136; D8/300, 310–312,
D8/370, 343; 348/373–376; 396/535–541,
396/176, 349, 448; 358/906, 909.1

See application file for complete search history.

(56) **References Cited**

U.S. PATENT DOCUMENTS

- D320,217 S * 9/1991 Shiiba et al. D16/209
- D331,251 S * 11/1992 Shull et al. D16/209
- 5,708,897 A * 1/1998 Manabe et al. 396/535
- D409,640 S * 5/1999 Funato D16/202
- D456,435 S * 4/2002 Hisatomi et al. D16/202

- D487,282 S * 3/2004 Zhou D16/202
- D491,212 S * 6/2004 Yik et al. D16/202
- D501,496 S * 2/2005 Sadatsuki D16/218
- D508,711 S * 8/2005 Suzuki D16/218
- D512,450 S * 12/2005 Jinde D16/202

* cited by examiner

Primary Examiner—Ian Simmons

Assistant Examiner—Wan Laymon

(74) *Attorney, Agent, or Firm*—Young & Thompson

(57) **CLAIM**

The ornamental design for an electronic camera, as shown and described.

DESCRIPTION

FIG. 1 is a top, front and right side perspective view of an electronic camera showing my new design;

FIG. 2 is a front elevational view thereof;

FIG. 3 is a rear elevational view thereof;

FIG. 4 is a top plan view thereof;

FIG. 5 is a left side elevational view thereof; and,

FIG. 6 is a right side elevational view thereof.

The material shown in broken line illustrates the environment of the present invention.

1 Claim, 4 Drawing Sheets

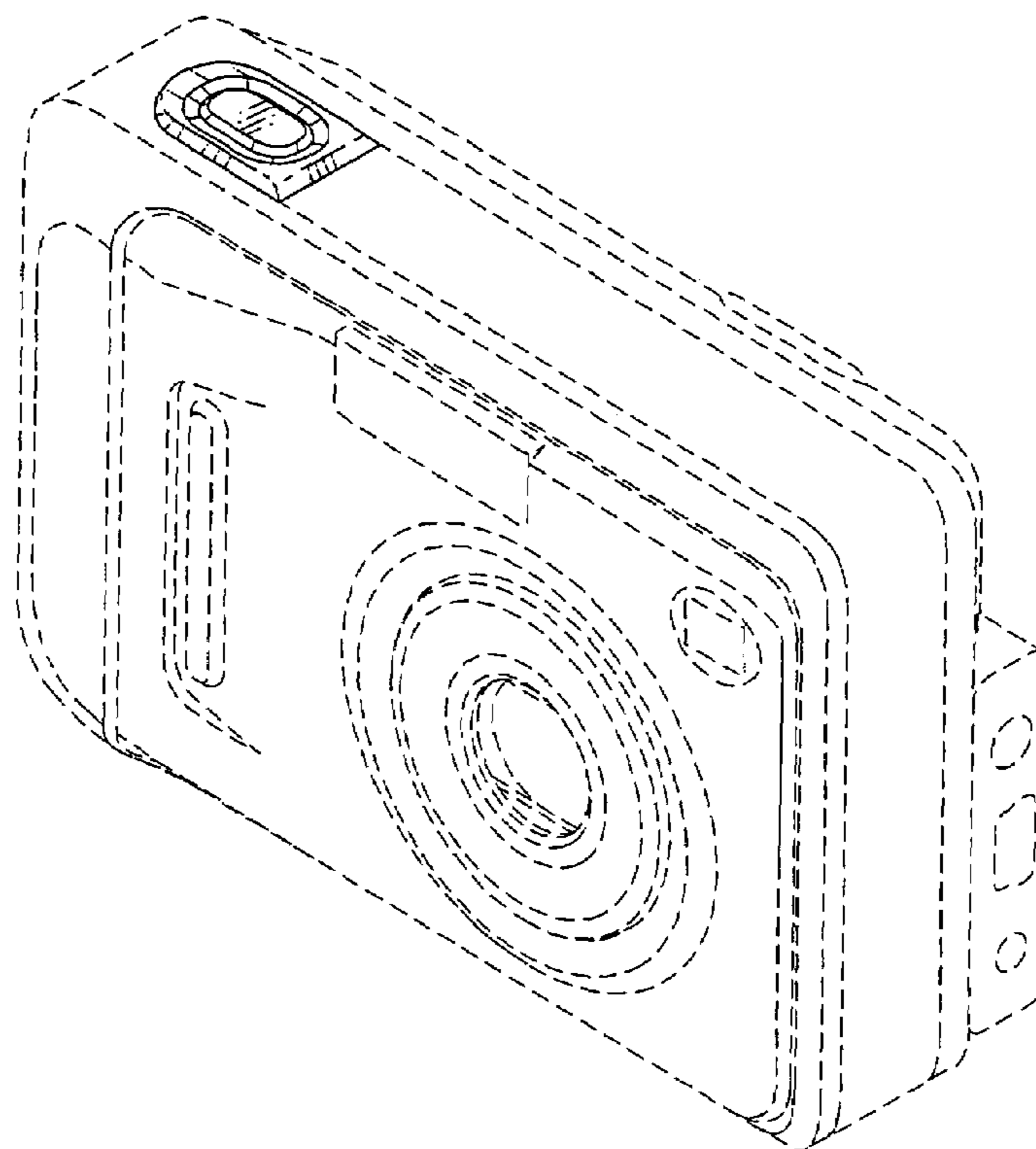


FIG. 1

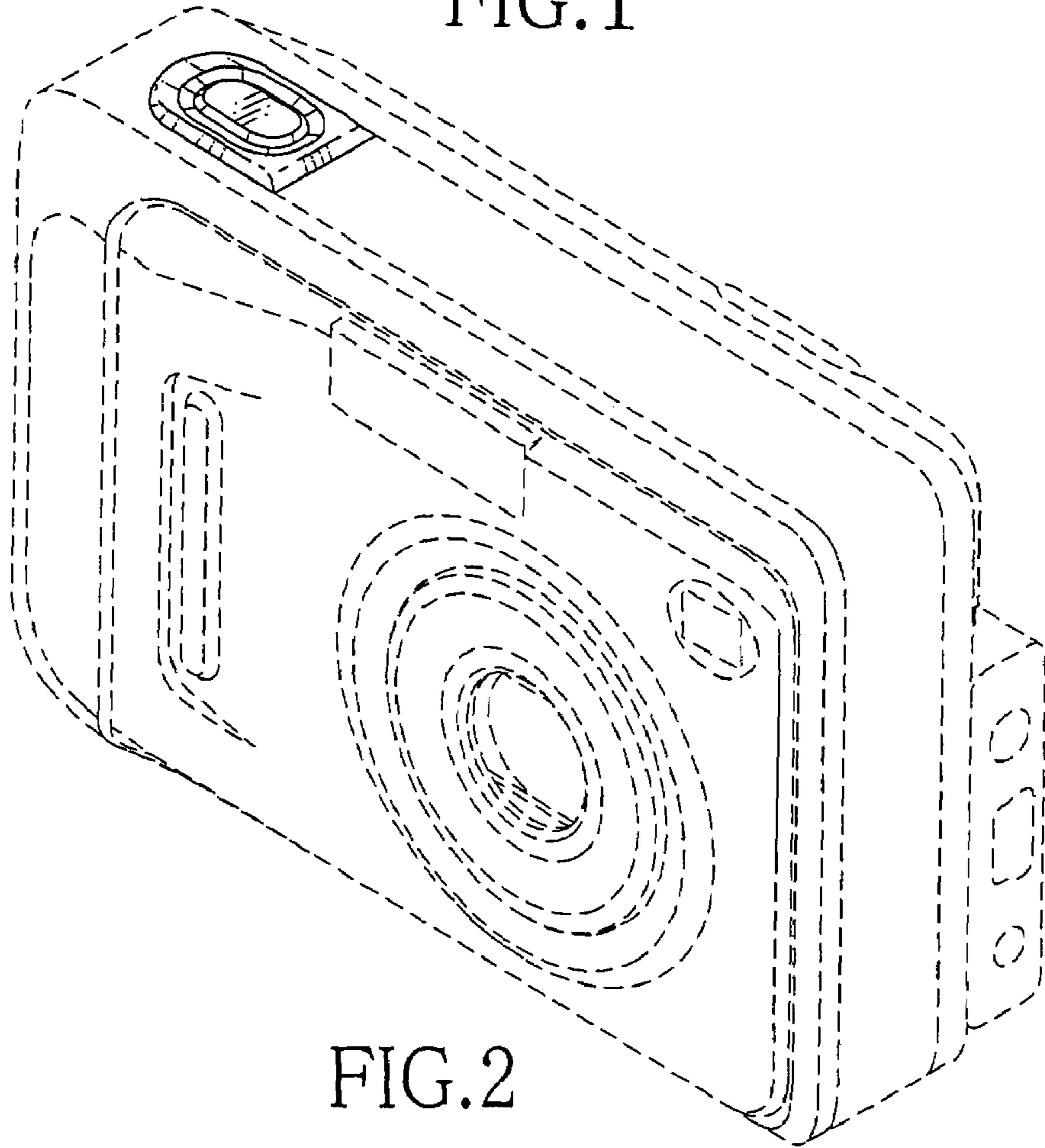


FIG. 2

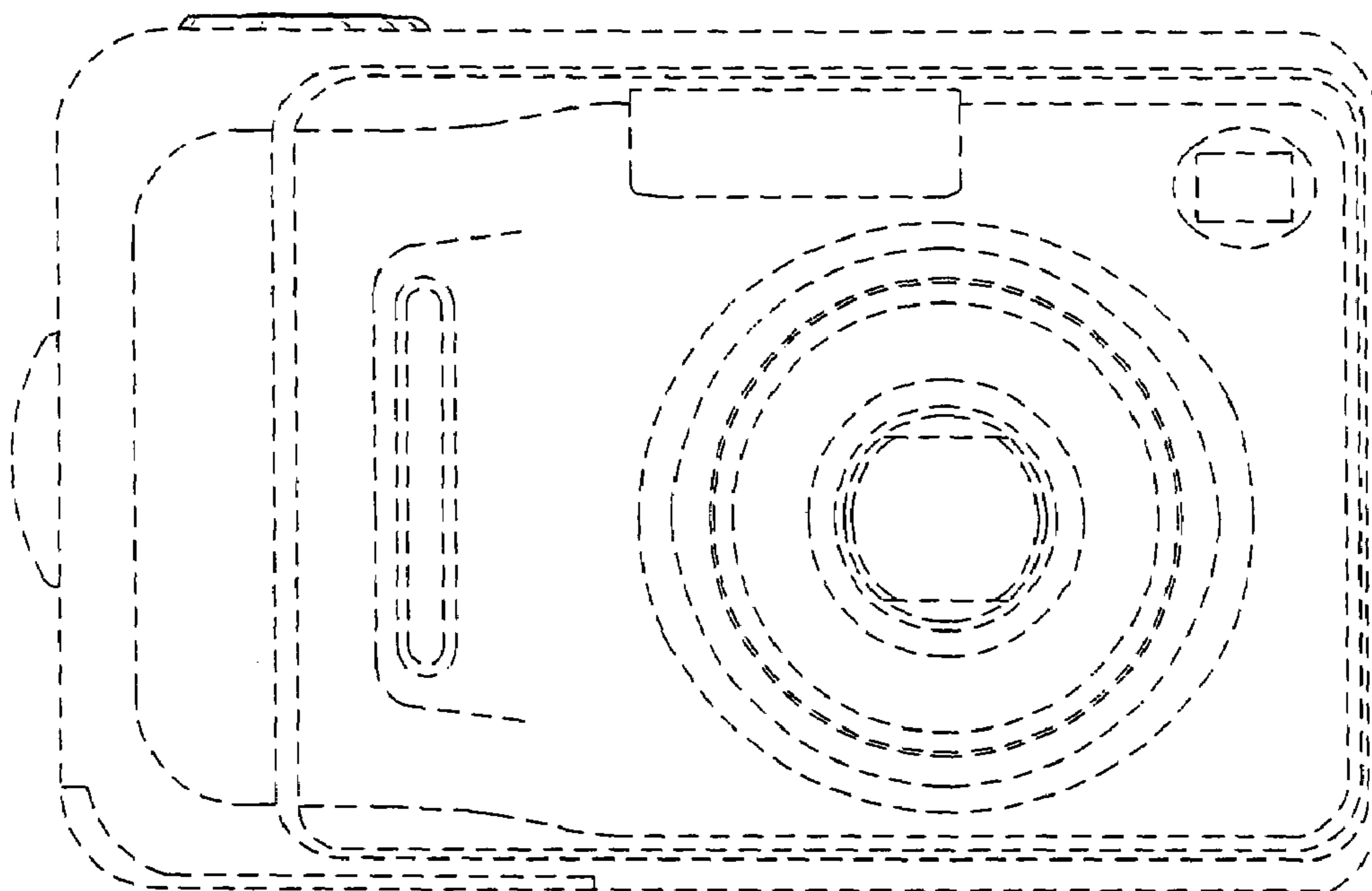


FIG.3

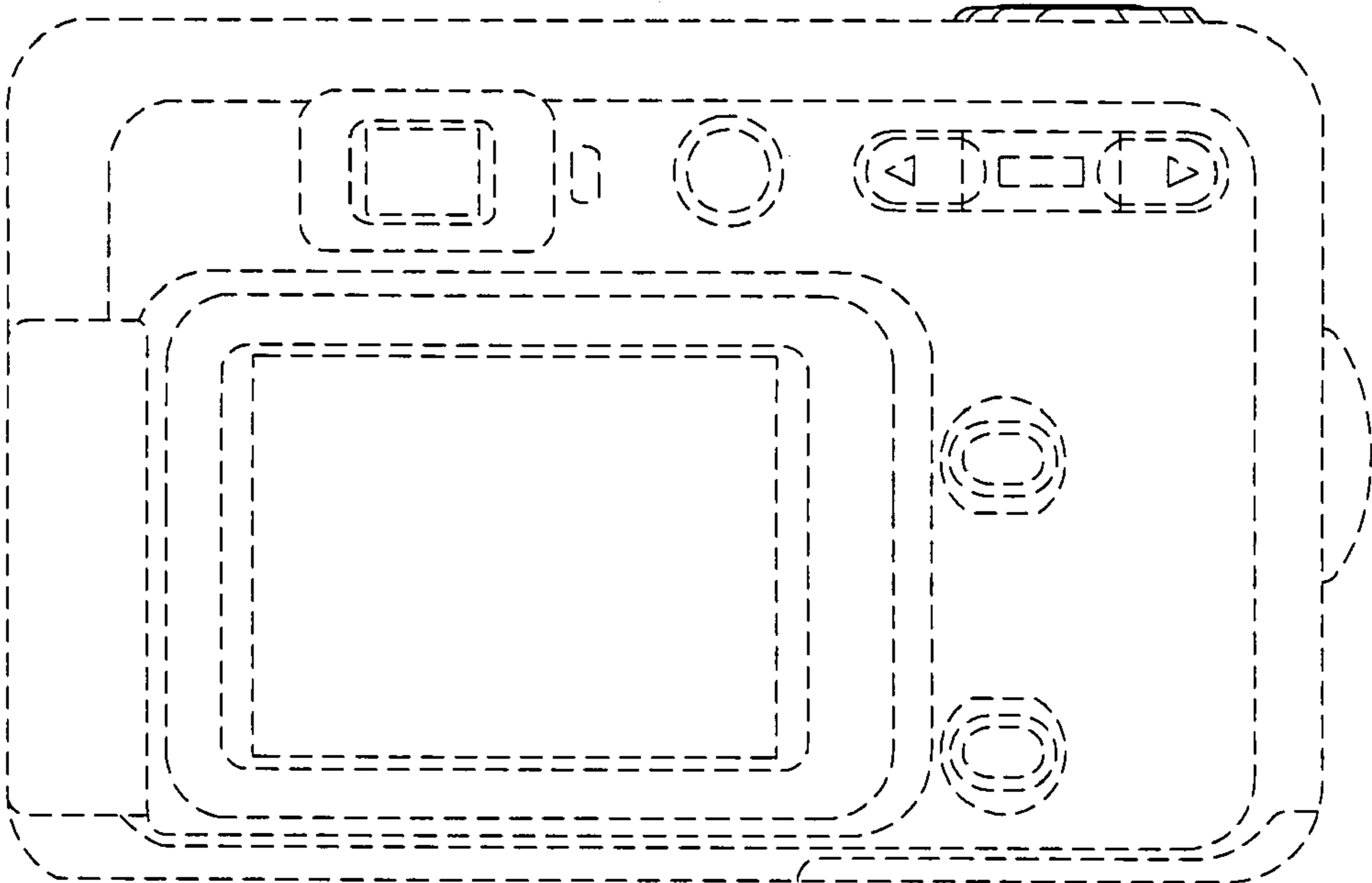


FIG.4

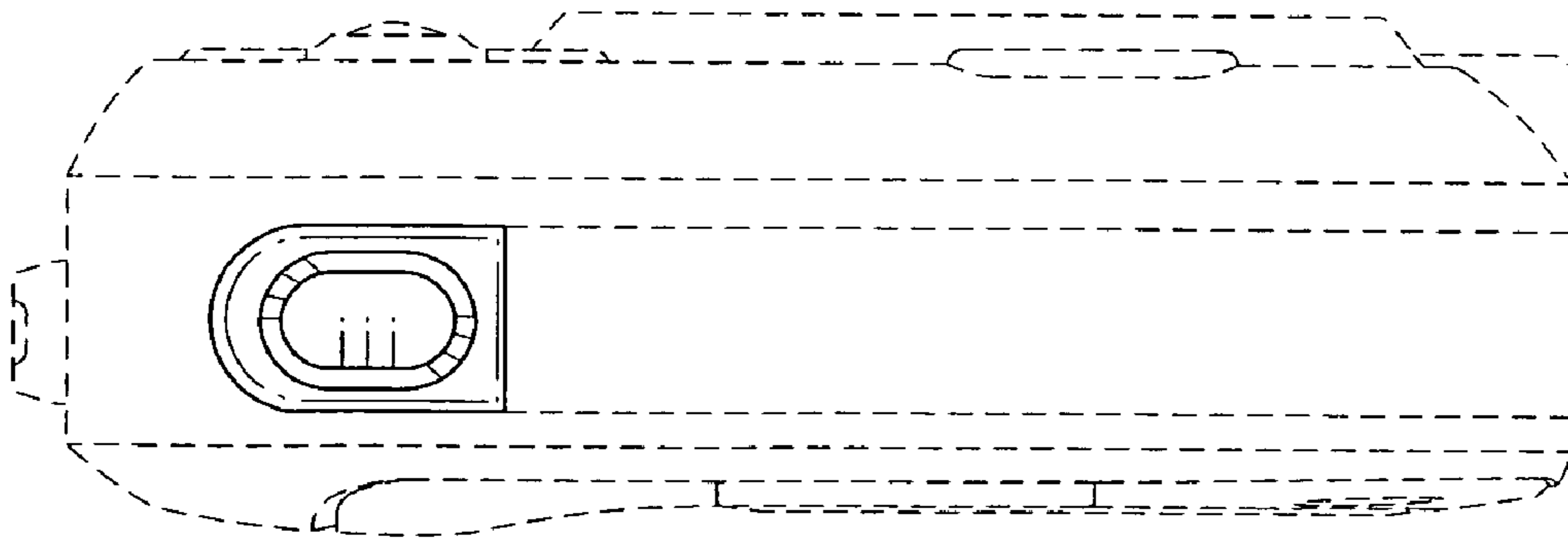


FIG.5

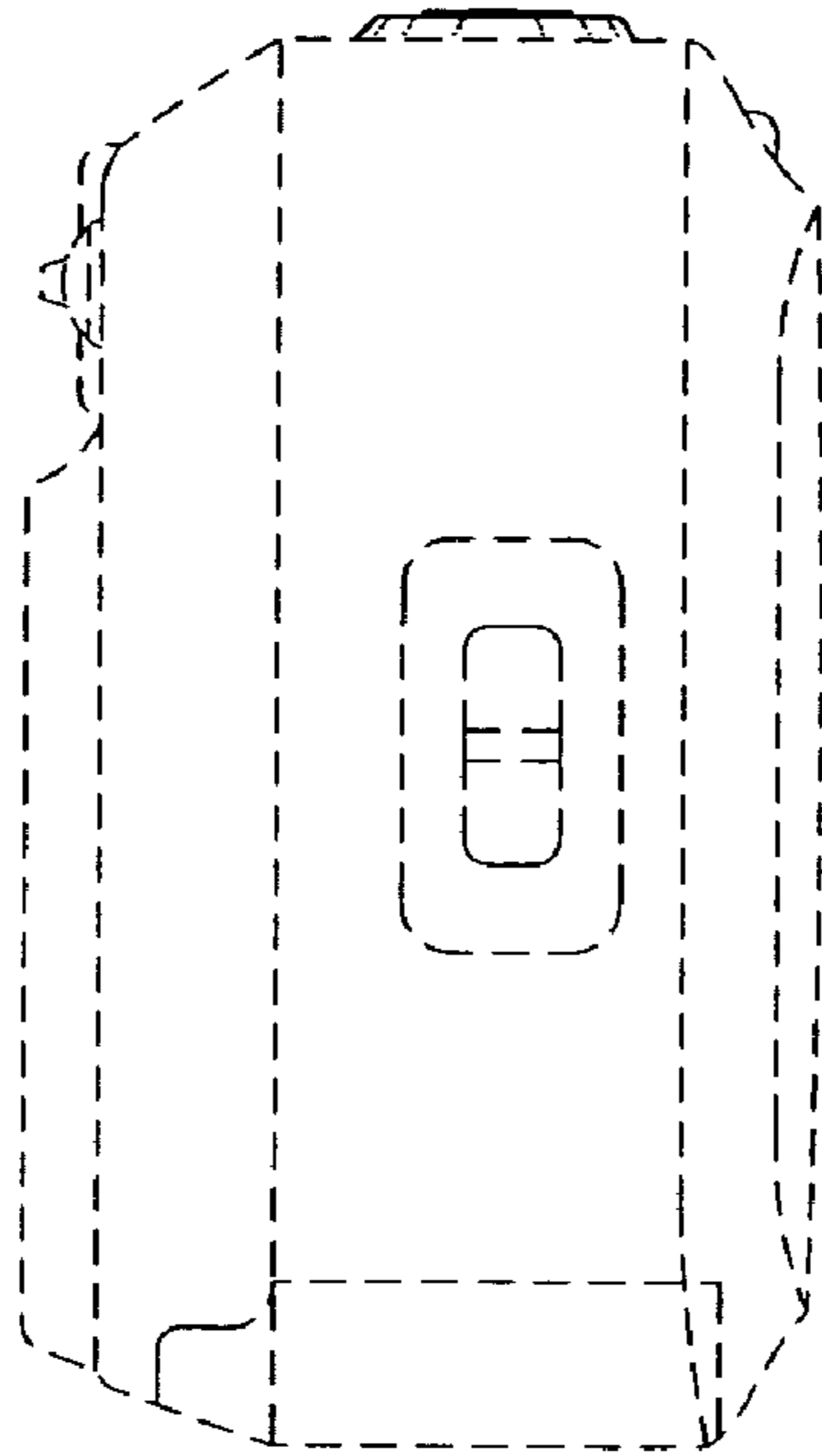


FIG.6

