



US00D555694S

(12) **United States Design Patent**
Yoo et al.

(10) **Patent No.:** **US D555,694 S**

(45) **Date of Patent:** **** Nov. 20, 2007**

(54) **DIGITAL CAMERA**

D532,029 S * 11/2006 Kim D16/202
D532,810 S * 11/2006 Kim D16/202
D543,227 S * 5/2007 Hayashi D16/219

(75) Inventors: **Seung Seup Yoo**, Seoul (KR); **Sung Kyun Bai**, Seoul (KR)

* cited by examiner

(73) Assignee: **Samsung Techwin Co., Ltd.**,
Changwon (KR)

Primary Examiner—Adir Aronovich

(74) *Attorney, Agent, or Firm*—Drinker Biddle & Reath LLP

(**) Term: **14 Years**

(57) **CLAIM**

(21) Appl. No.: **29/258,871**

We claim the ornamental design for a digital camera, as shown and described.

(22) Filed: **Apr. 28, 2006**

(30) **Foreign Application Priority Data**

DESCRIPTION

Nov. 2, 2005 (KR) 30-2005-0036938

FIG. 1 is a perspective view of the design for a digital camera;

(51) **LOC (8) Cl.** **16-05**

FIG. 2 is a front view of the design of FIG. 1;

(52) **U.S. Cl.** **D16/219; D16/202**

FIG. 3 is a rear view of the design of FIG. 1;

(58) **Field of Classification Search** D16/200–206,
D16/208, 218, 219; 348/373–376; 358/909.1;
396/535–541

FIG. 4 is a top view of the design of FIG. 1;

FIG. 5 is a bottom view of the design of FIG. 1;

See application file for complete search history.

FIG. 6 is a left side view of the design of FIG. 1; and,

FIG. 7 is a right side view of the design of FIG. 1.

(56) **References Cited**

The portions of the camera in broken lines are shown for illustrative purposes only and form no part of the claimed design.

U.S. PATENT DOCUMENTS

6,788,894 B2 * 9/2004 Suzuki et al. 396/535
D508,711 S * 8/2005 Suzuki D16/218
D521,038 S * 5/2006 Takagi D16/202
D524,348 S * 7/2006 Nagayama et al. D16/219

1 Claim, 4 Drawing Sheets

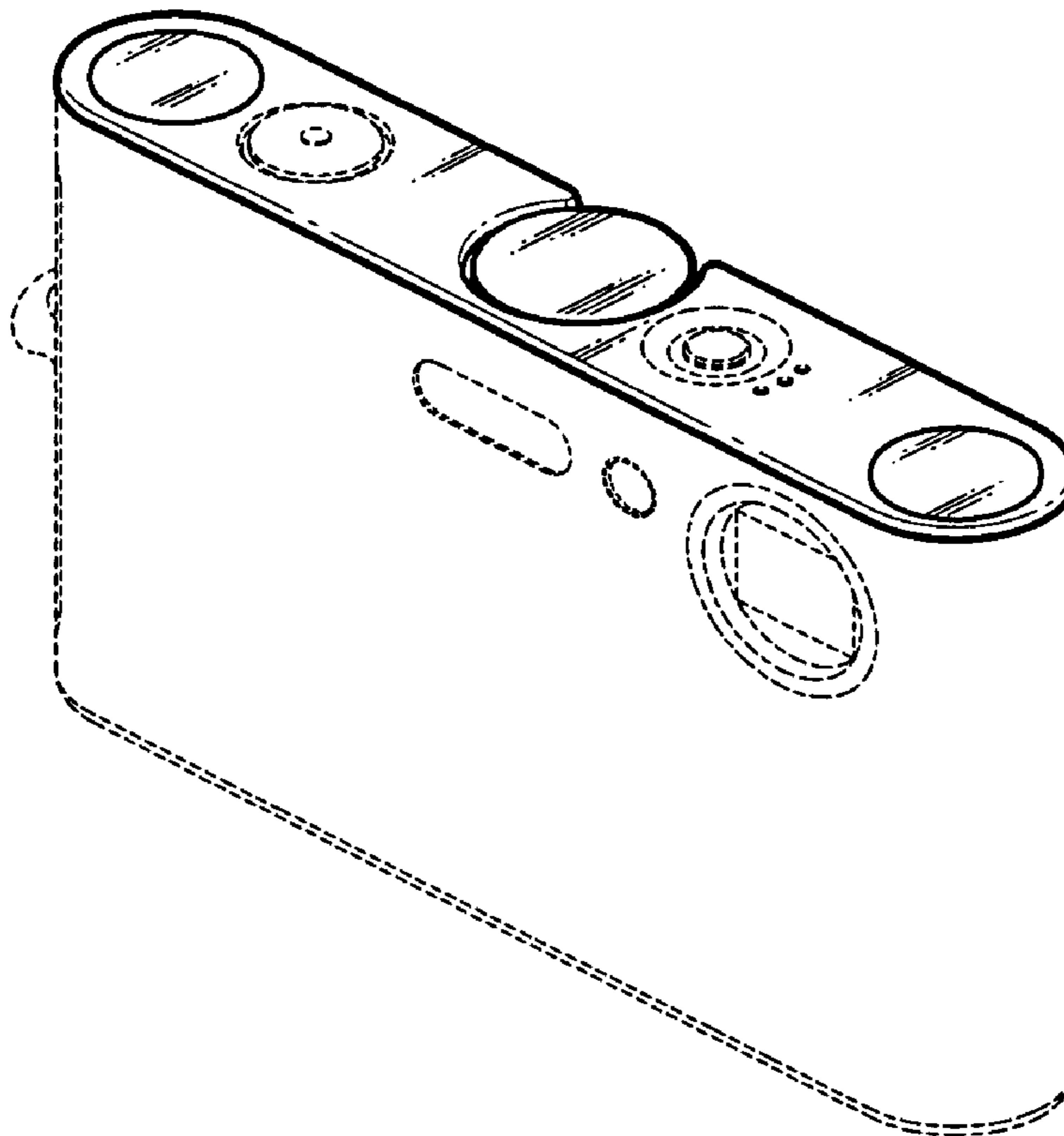


FIG. 1

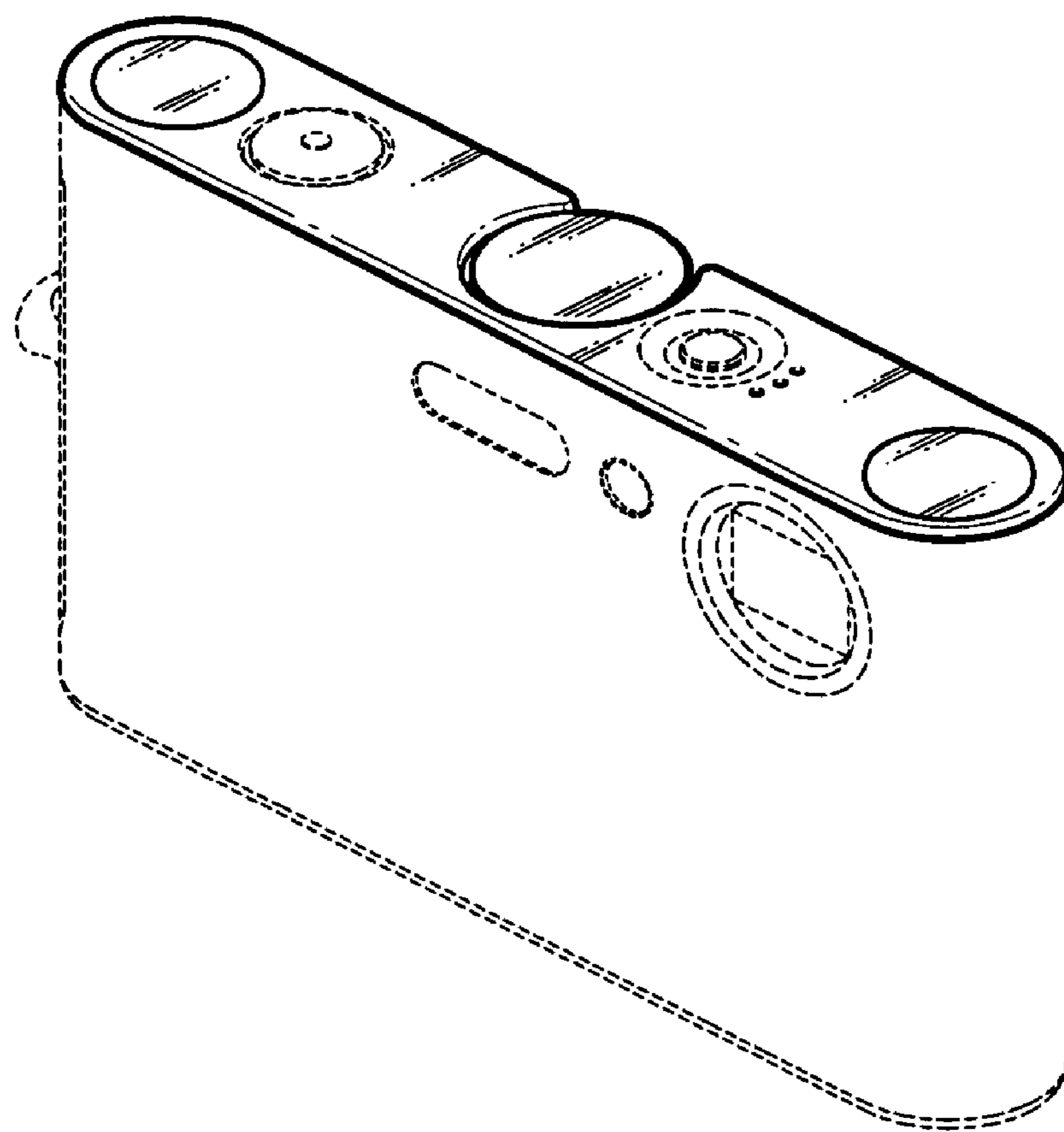


FIG. 2

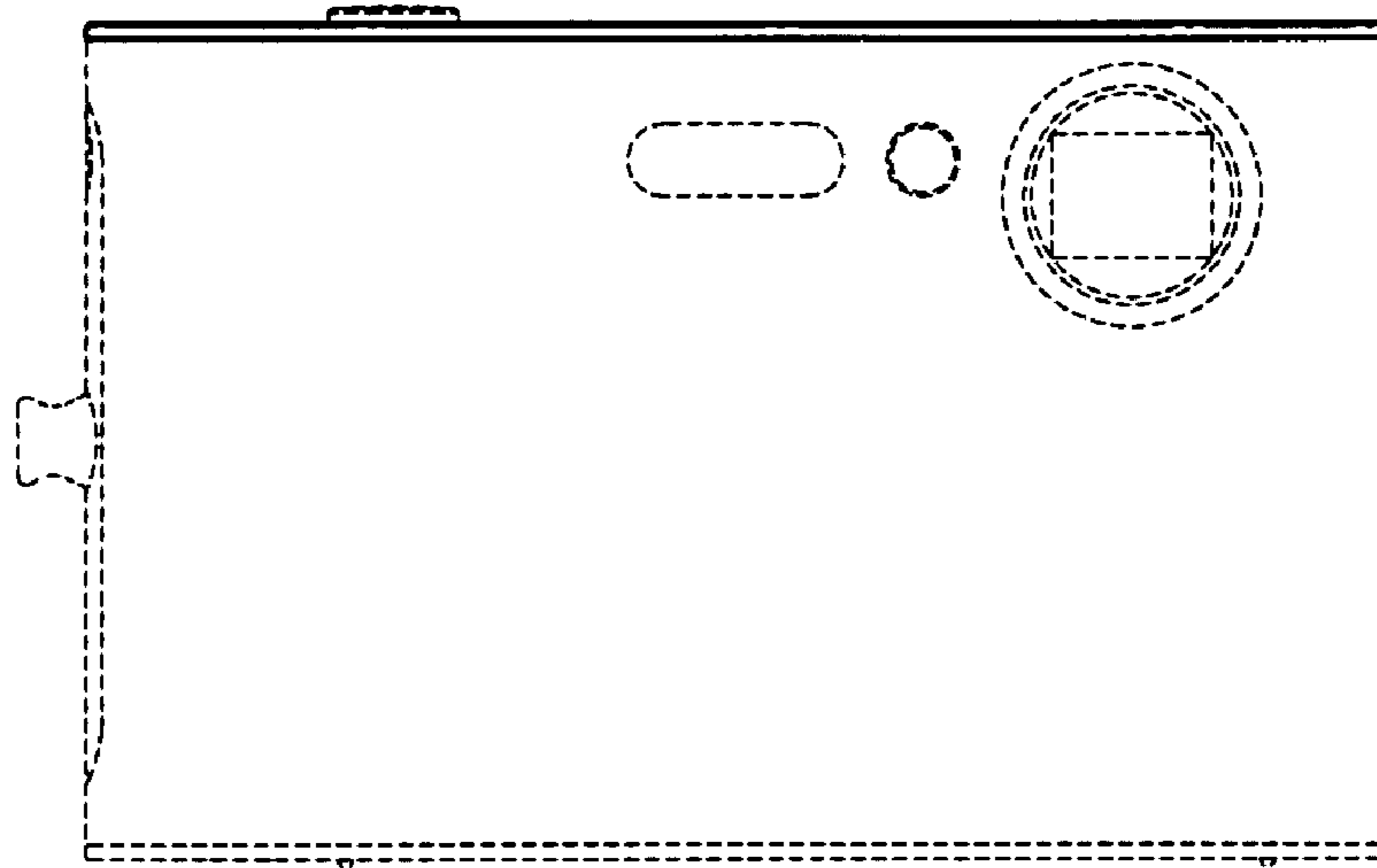


FIG. 3

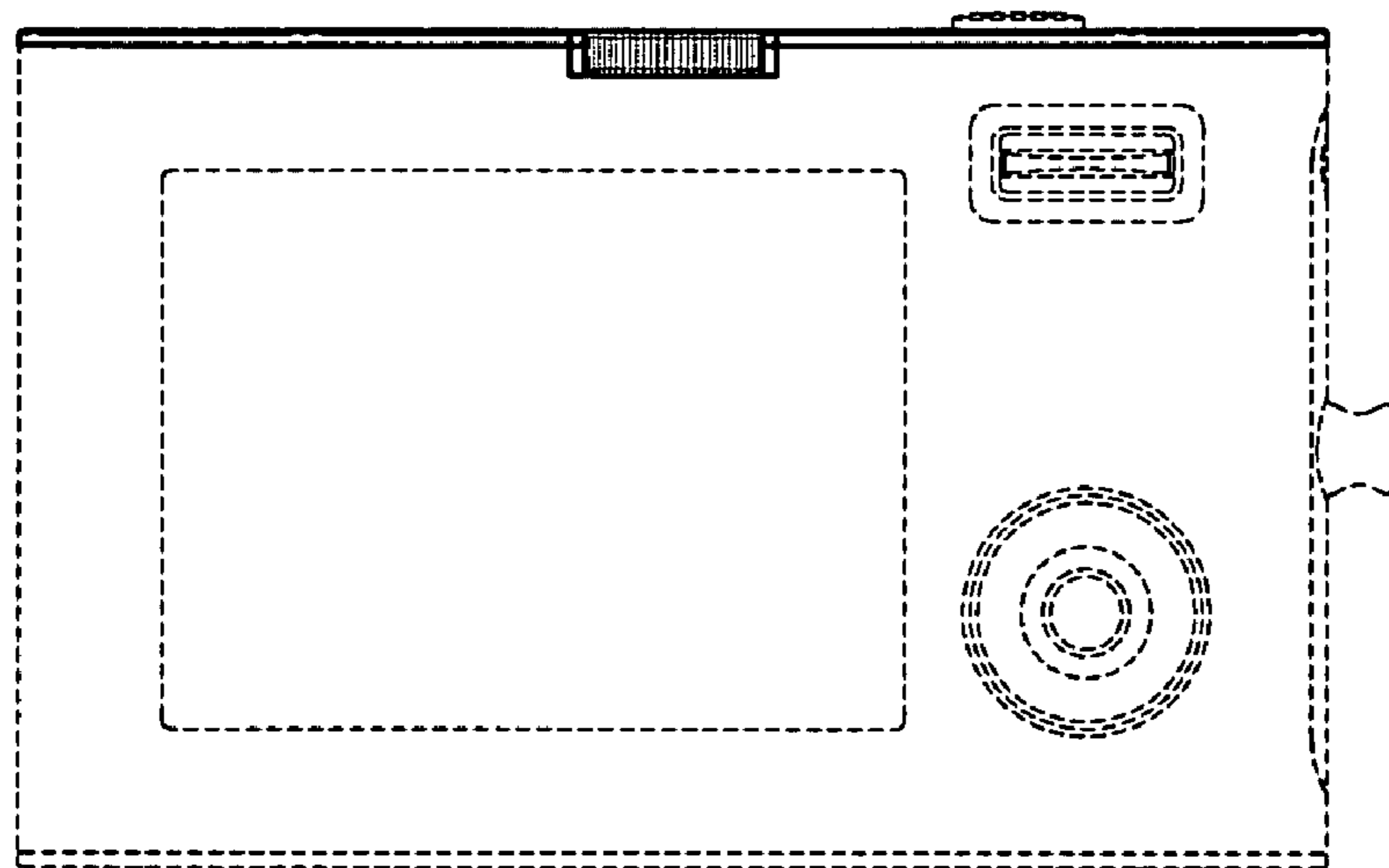


FIG. 4



FIG. 5

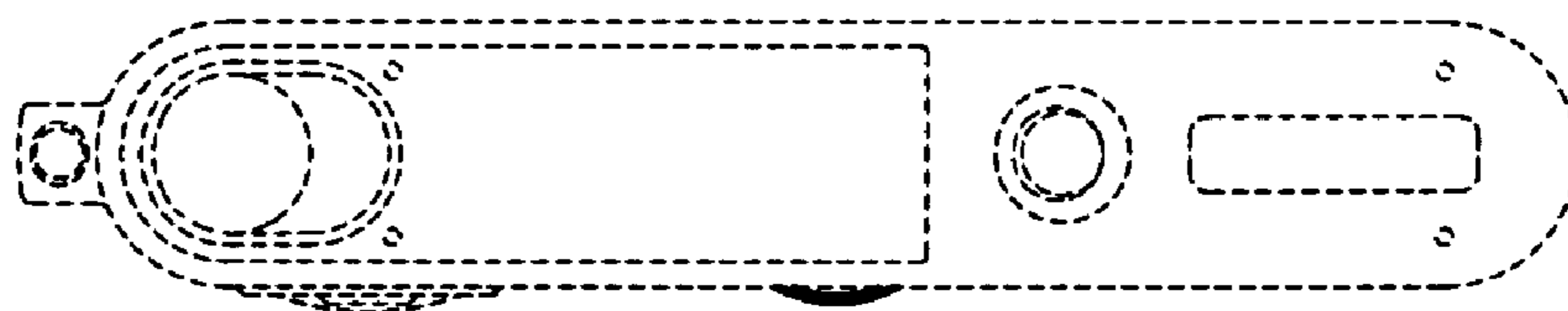


FIG. 6

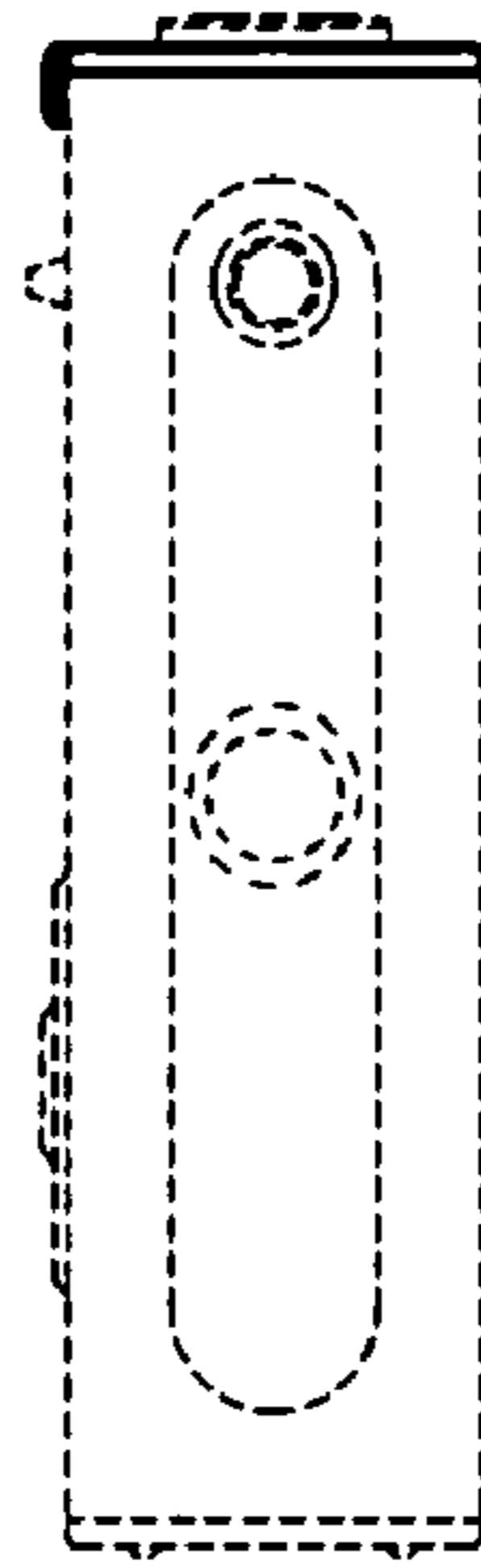


FIG. 7

