



US00D555693S

(12) **United States Design Patent**
Tokiwa et al.

(10) **Patent No.:** **US D555,693 S**

(45) **Date of Patent:** **** Nov. 20, 2007**

(54) **CAMERA BODY**

(75) Inventors: **Kentaro Tokiwa**, Asaka (JP); **Hiroshi Tanaka**, Asaka (JP); **Yoshihiro Ito**, Asaka (JP)

(73) Assignee: **Fujifilm Corporation**, Tokyo (JP)

(**) Term: **14 Years**

(21) Appl. No.: **29/252,585**

(22) Filed: **Jan. 26, 2006**

(30) **Foreign Application Priority Data**

Jul. 28, 2005 (JP) 2005-021977

(51) **LOC (8) Cl.** **16-05**

(52) **U.S. Cl.** **D16/219; D16/134**

(58) **Field of Classification Search** D16/200-205, D16/208-209, 216-219, 134, 136; 348/373-376; 358/906, 909.1; 359/815, 819, 826-828; 396/176-177, 354-359, 535-541, 529-532
See application file for complete search history.

(56) **References Cited**

U.S. PATENT DOCUMENTS

4,330,192 A * 5/1982 Shimizu 396/529
6,089,761 A * 7/2000 Sakurai 396/531

D460,098 S * 7/2002 Katayama D16/209
D471,222 S * 3/2003 Matsumura D16/217
D473,889 S * 4/2003 Kondo D16/209
D510,945 S * 10/2005 Do D16/134
2002/0167740 A1 * 11/2002 Osterried et al. 359/819

* cited by examiner

Primary Examiner—Ian Simmons

Assistant Examiner—Wan Laymon

(74) *Attorney, Agent, or Firm*—Young & Thompson

(57) **CLAIM**

The ornamental design for a camera body, as shown and described.

DESCRIPTION

FIG. 1 is a top, front and side perspective view of a camera body showing our new design;

FIG. 2 is a front elevational view thereof;

FIG. 3 is a bottom plan view thereof;

FIG. 4 is a top, front and side perspective view thereof, with the bayonet lugs shown in a connectable position; and,

FIG. 5 is a perspective view thereof.

The parts shown in broken lines are only to illustrate the environment and are not claimed.

1 Claim, 3 Drawing Sheets

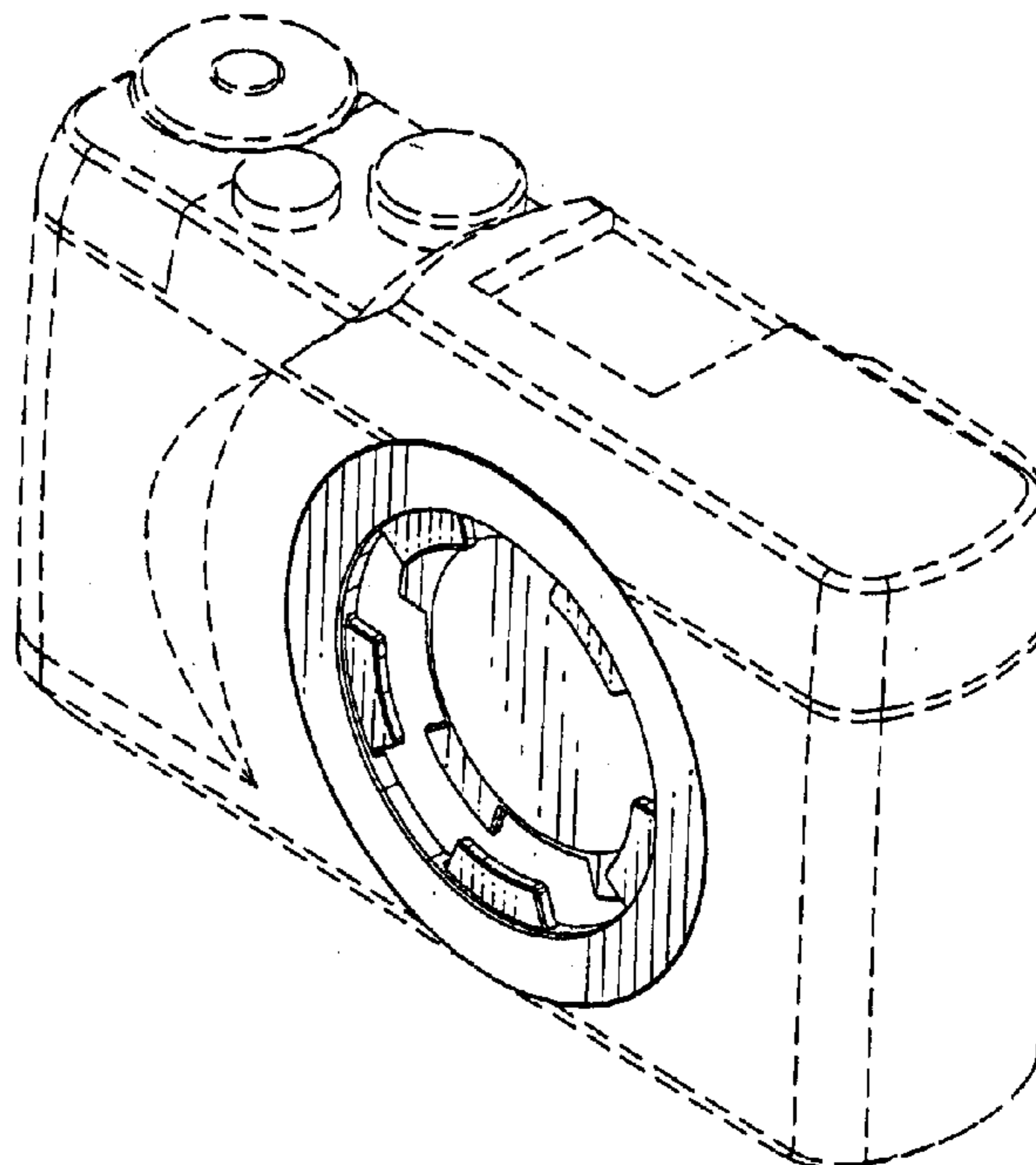
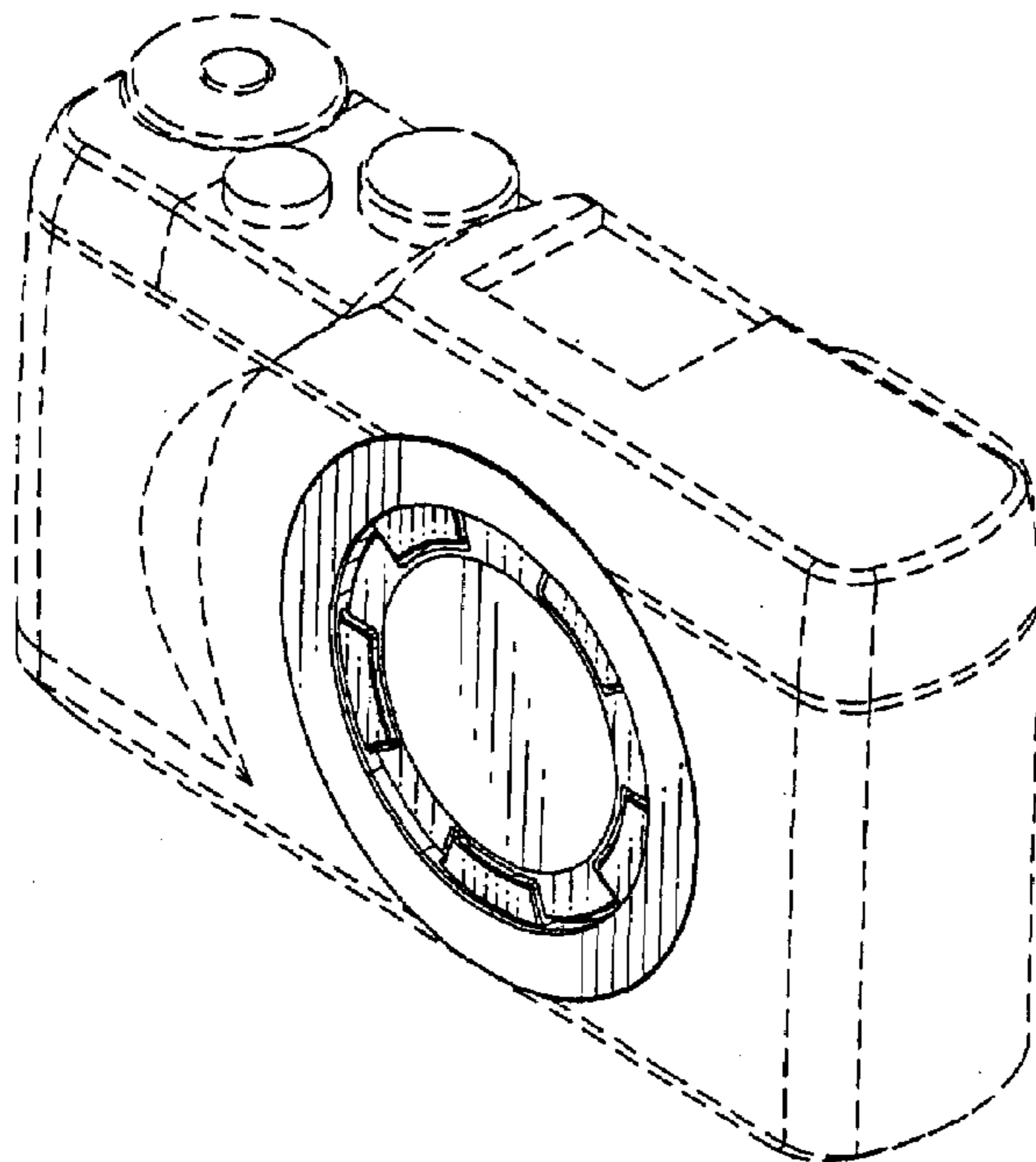


FIG. 1

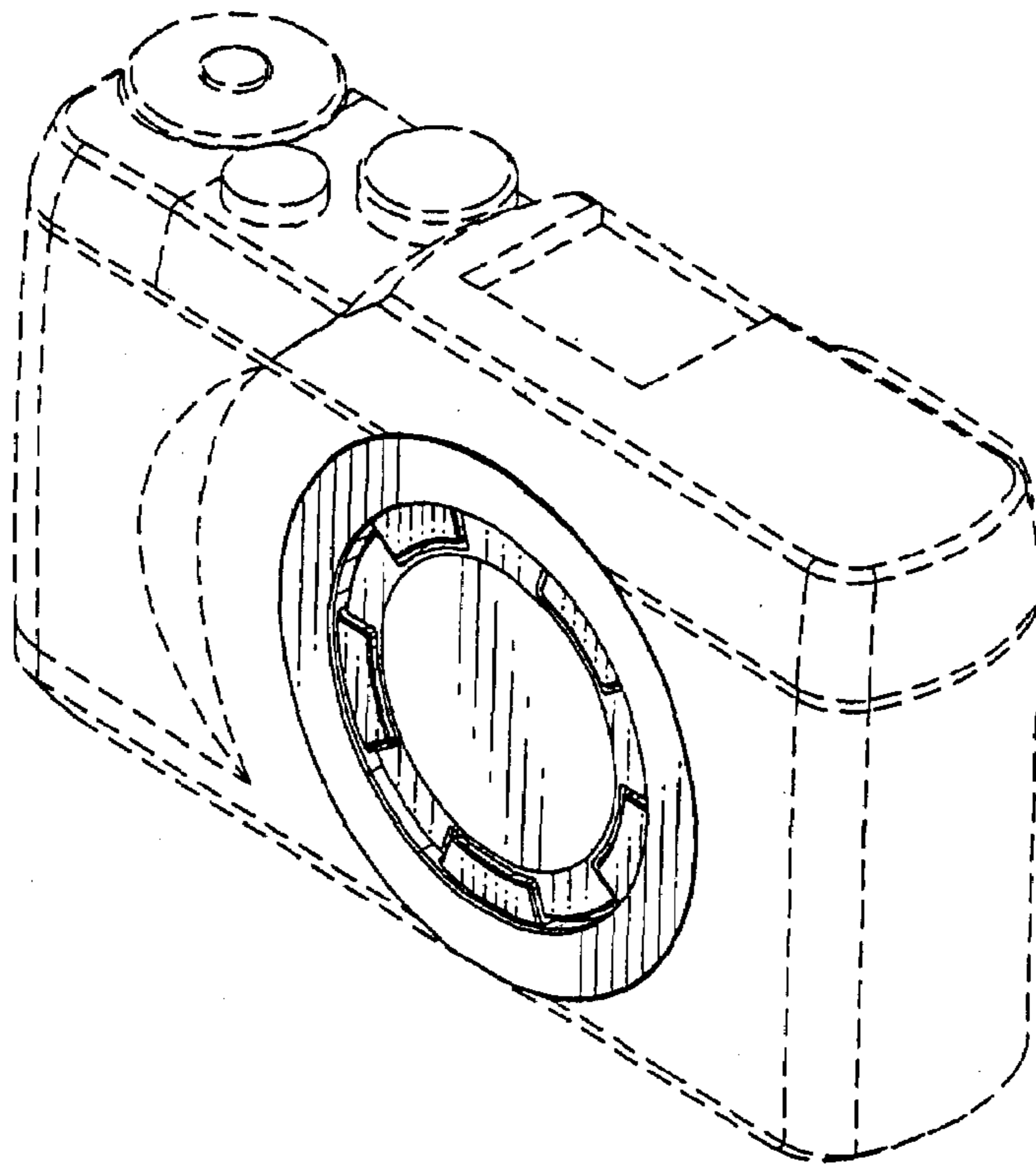


FIG. 2

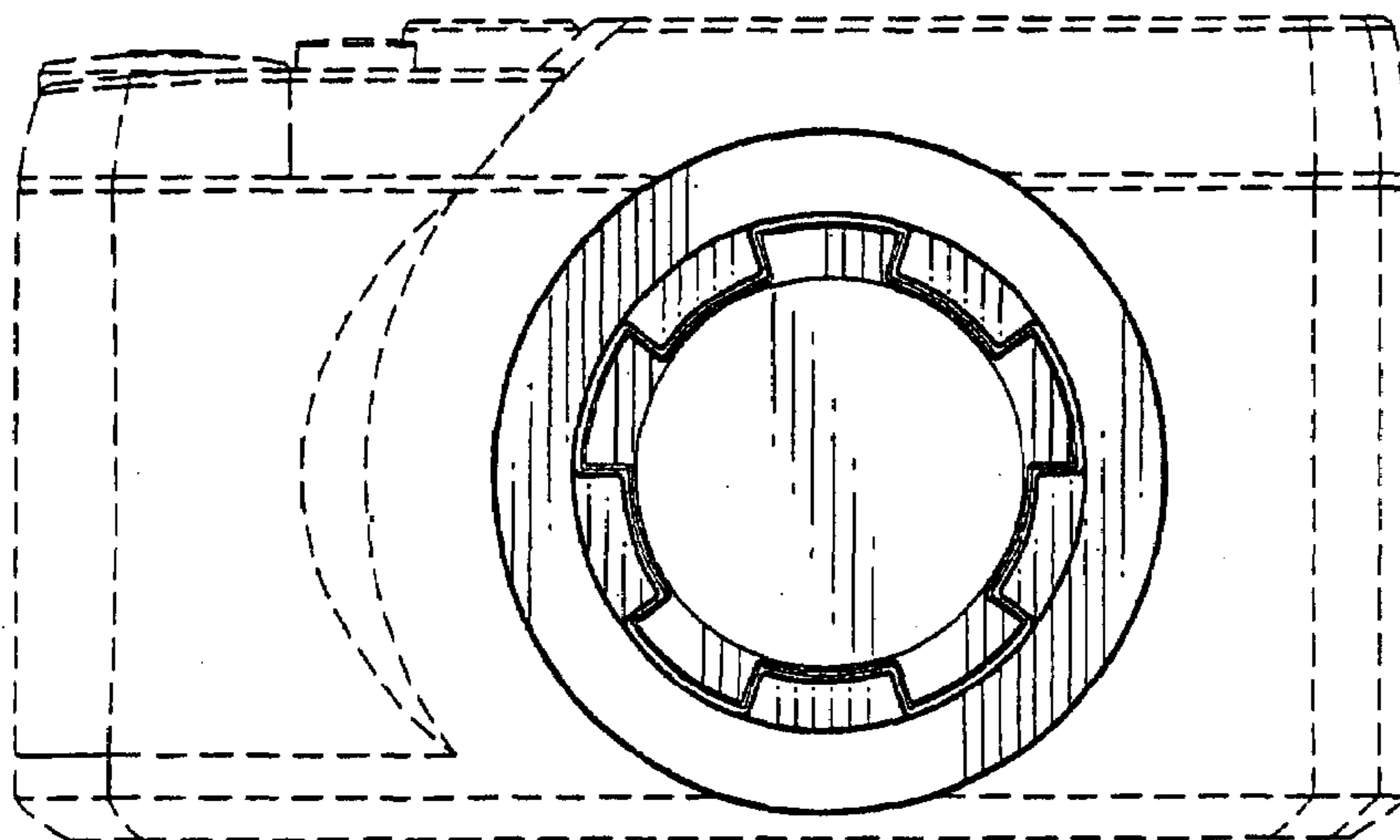


FIG.3

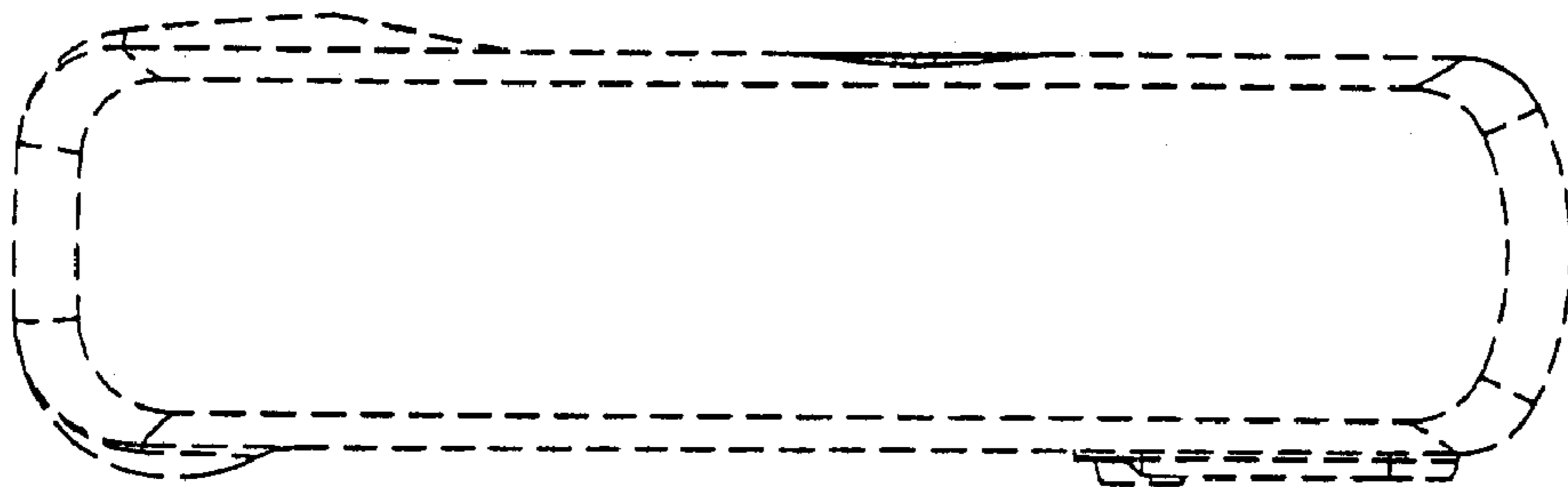


FIG.4

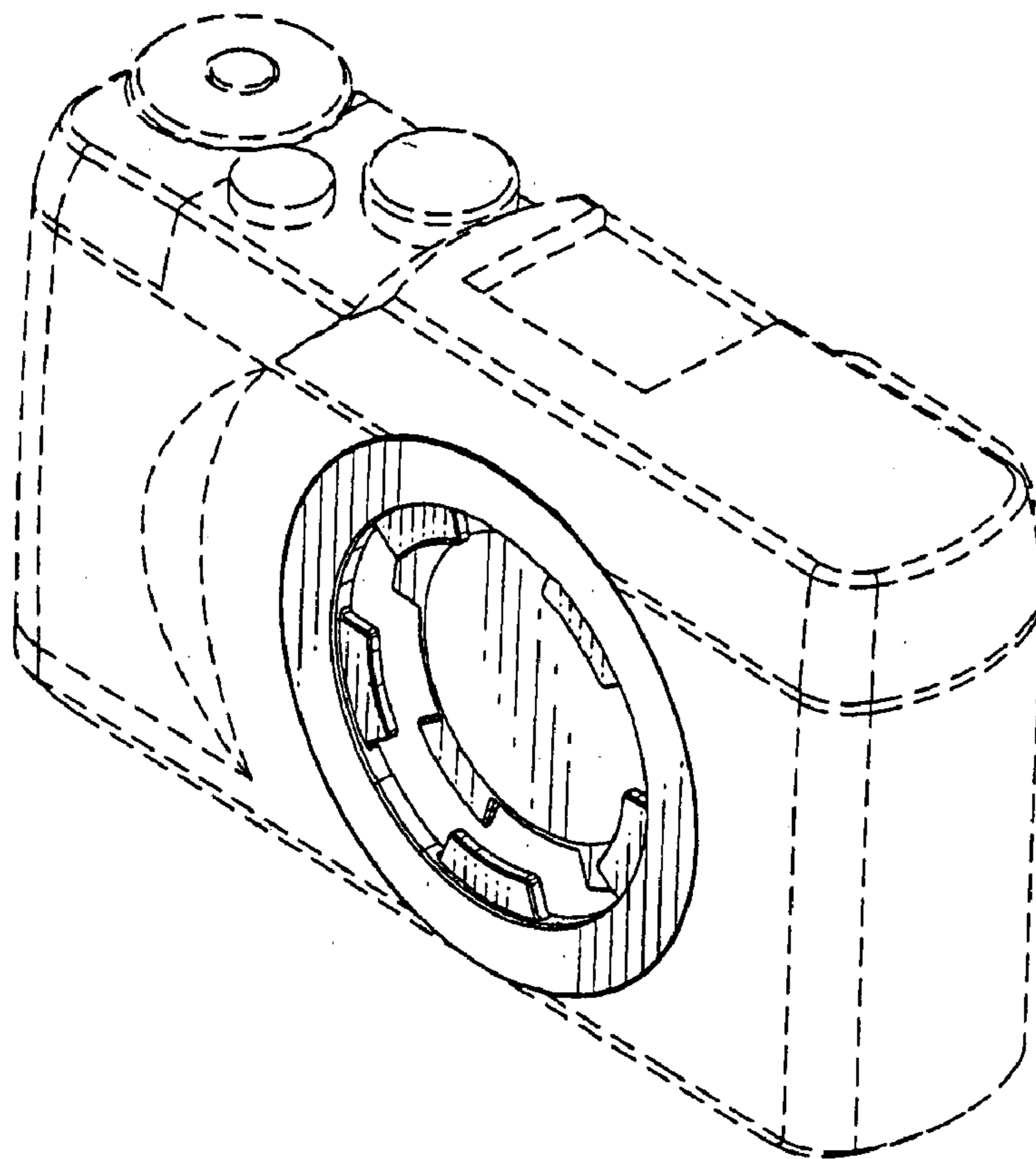


FIG.5

