



US00D555690S

(12) **United States Design Patent**  
**Choi**

(10) **Patent No.:** **US D555,690 S**

(45) **Date of Patent:** **\*\* Nov. 20, 2007**

(54) **THIN DIGITAL CAMERA**

(75) Inventor: **Richard Choi**, Taipei (TW)

(73) Assignee: **Lite-On Technology Corp.**, Taipei (TW)

(\*\*) Term: **14 Years**

(21) Appl. No.: **29/262,609**

(22) Filed: **Jul. 6, 2006**

(30) **Foreign Application Priority Data**

Feb. 27, 2006 (TW) ..... 95300973

(51) **LOC (8) Cl.** ..... **16-01**

(52) **U.S. Cl.** ..... **D16/202; D16/217**

(58) **Field of Classification Search** ..... D16/200–206,  
D16/208–209, 211, 213, 217–218; 348/373–376;  
358/906, 909.1; D21/514; 396/535–541  
See application file for complete search history.

(56) **References Cited**

**U.S. PATENT DOCUMENTS**

2,789,490 A \* 4/1957 Kaufman ..... 396/341  
D244,685 S \* 6/1977 Hansen et al. .... D16/211  
D253,237 S \* 10/1979 Stemme et al. .... D16/211

D263,845 S \* 4/1982 Schlagheck et al. .... D16/211  
4,660,951 A \* 4/1987 Reed et al. .... 396/33  
6,497,519 B1 \* 12/2002 Mills ..... 396/535

\* cited by examiner

*Primary Examiner*—Ian Simmons

*Assistant Examiner*—Wan Laymon

(57) **CLAIM**

The ornamental design for a thin digital camera, as shown and described.

**DESCRIPTION**

FIG. 1 is a perspective of a thin digital camera showing my new design;

FIG. 2 is a right side view thereof;

FIG. 3 is a top view thereof;

FIG. 4 is a front view thereof;

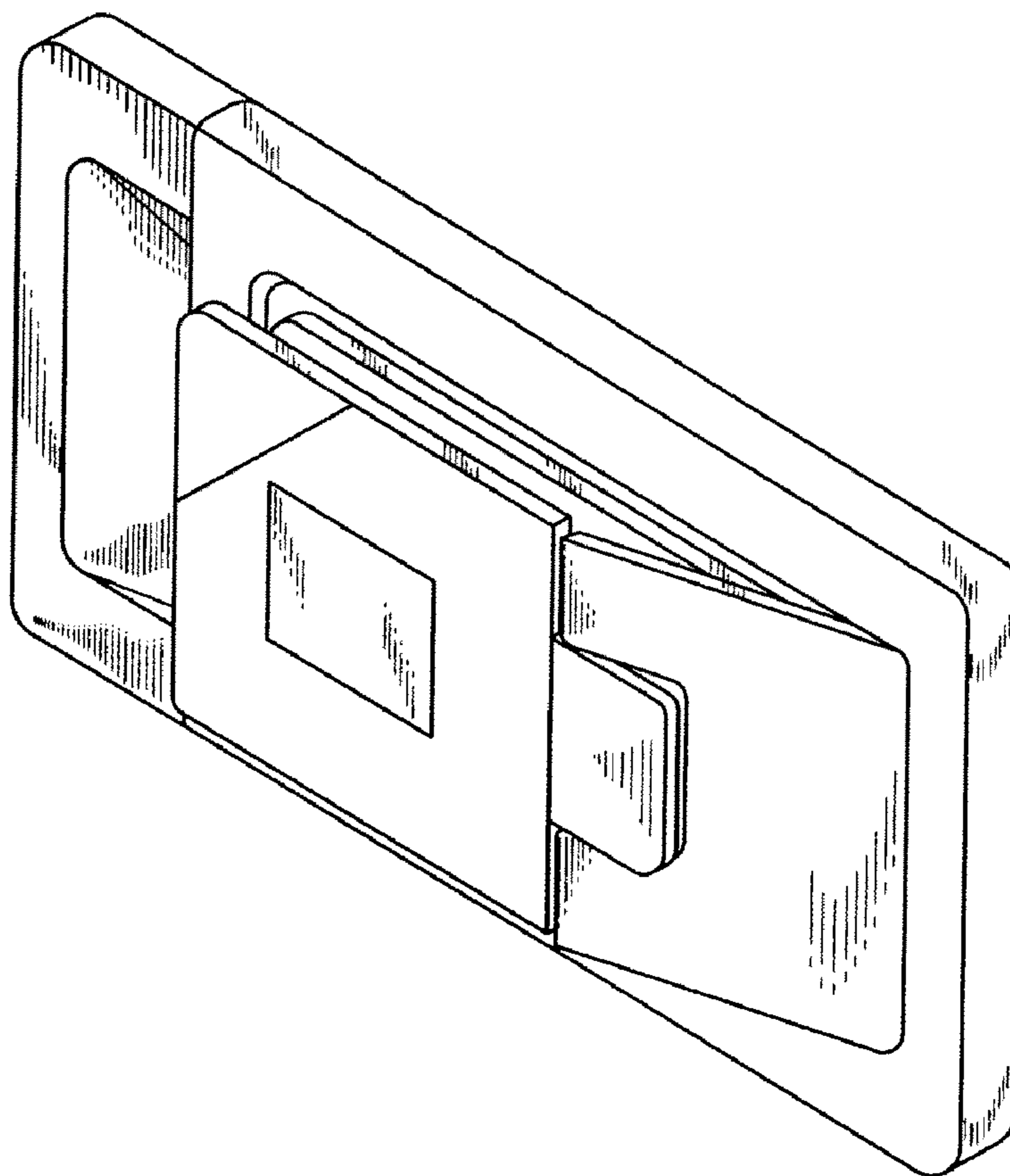
FIG. 5 is a bottom view thereof;

FIG. 6 is a left side view thereof;

FIG. 7 is a rear view thereof; and,

FIG. 8 is a perspective view showing the thin digital camera in an open condition.

**1 Claim, 8 Drawing Sheets**



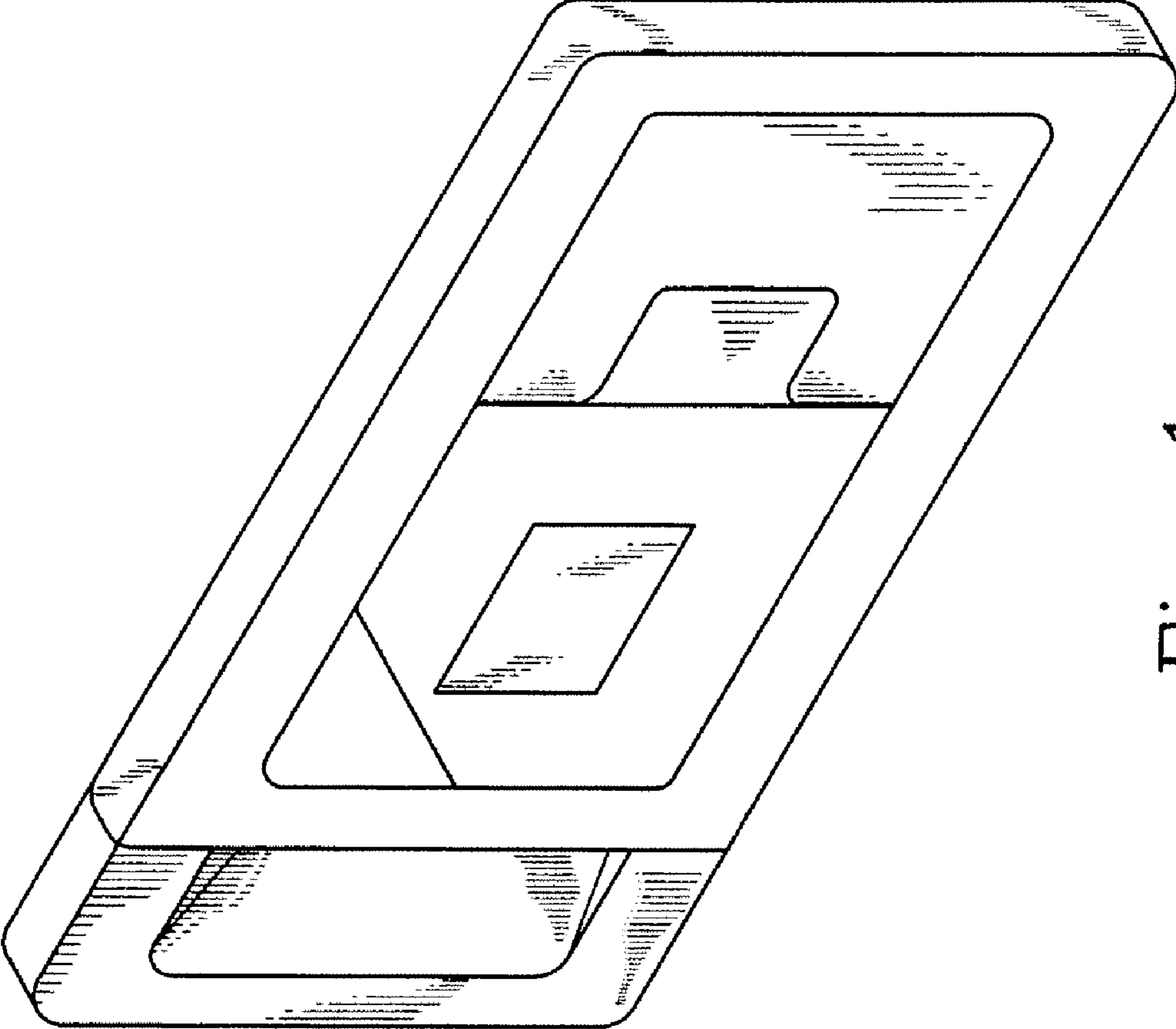


Fig. 1



Fig. 2



Fig. 3

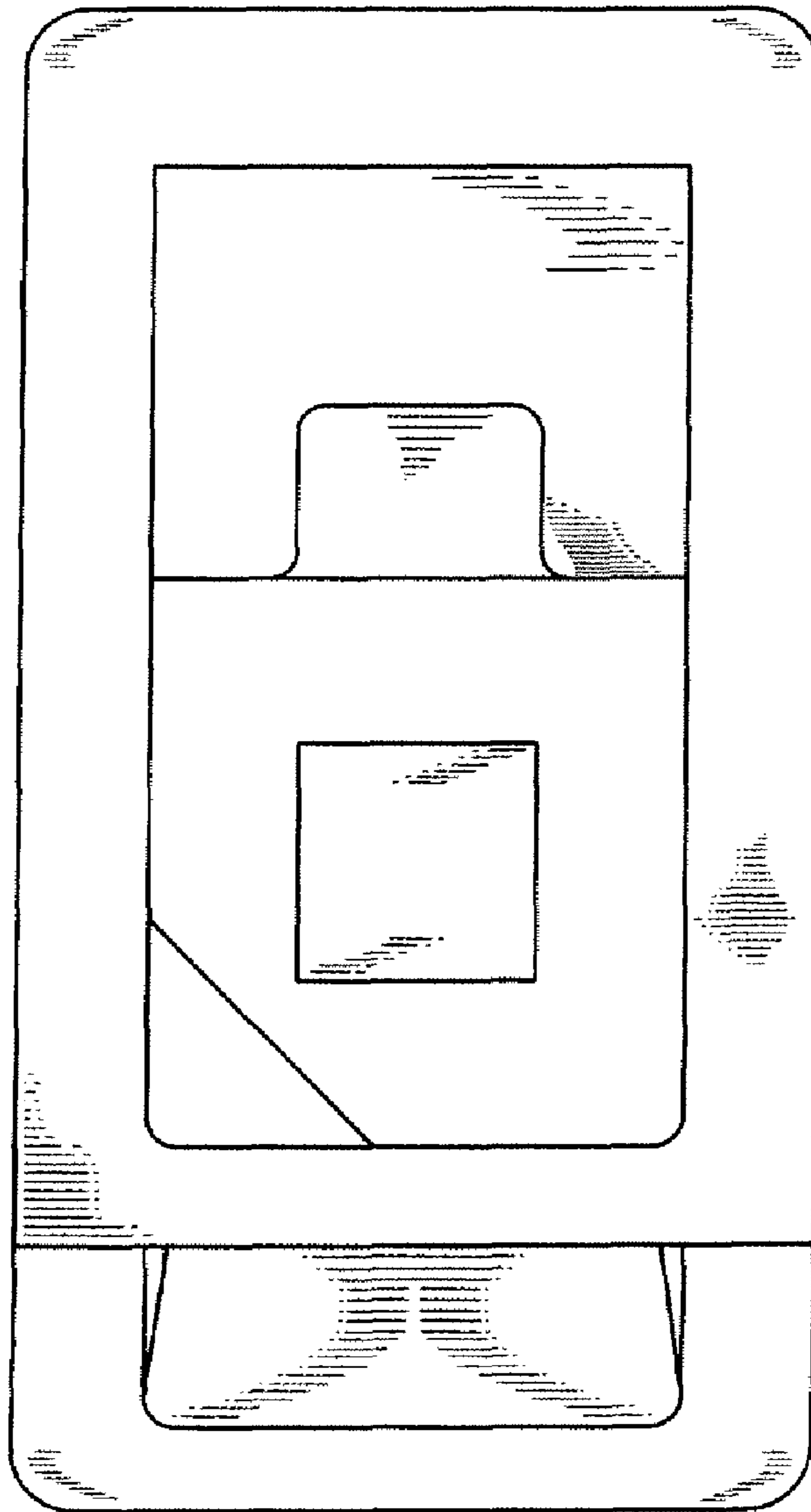


Fig. 4

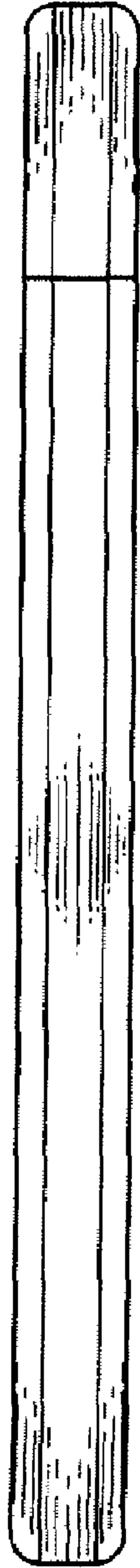


Fig. 5



Fig. 6

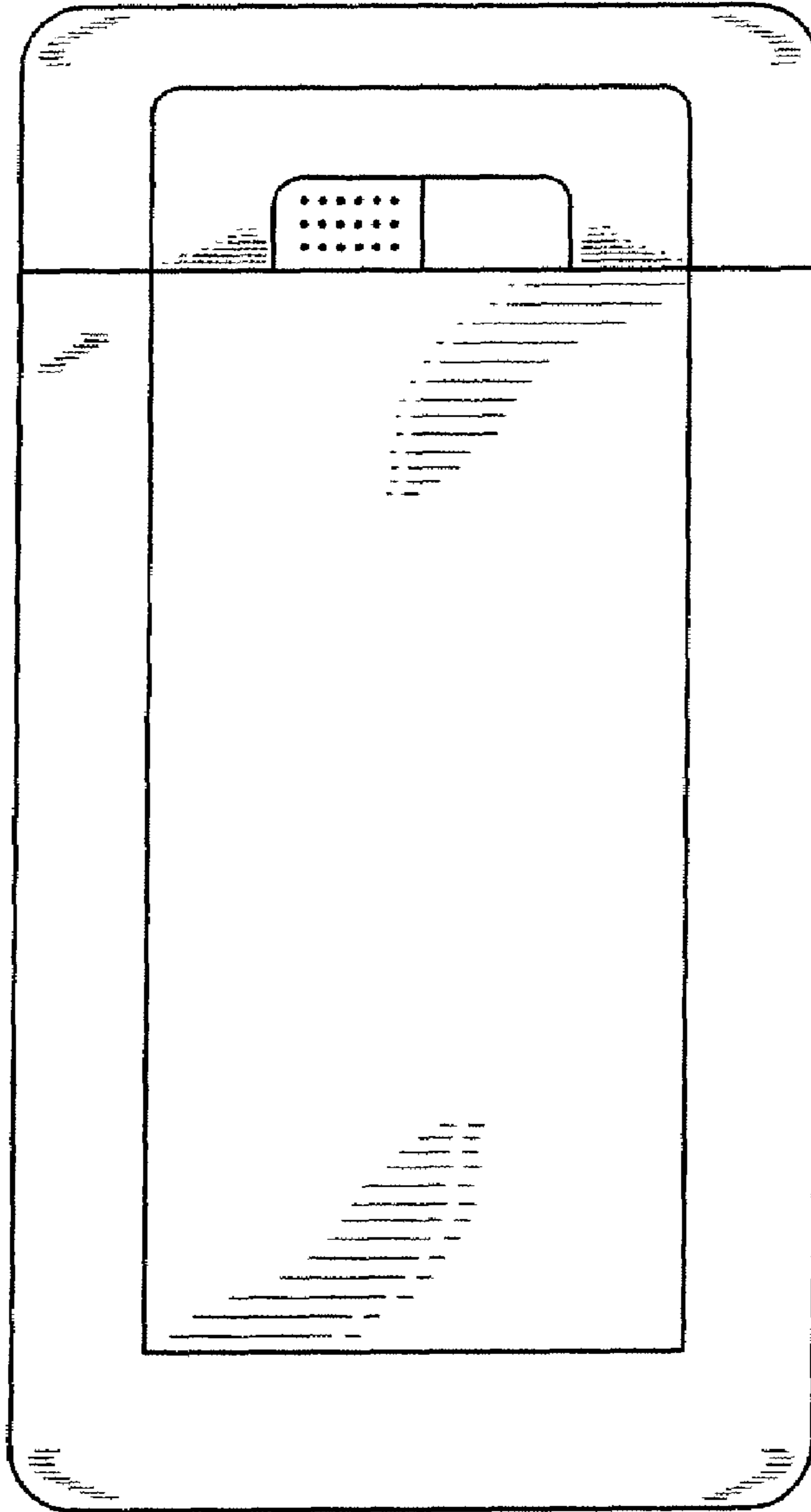


Fig. 7



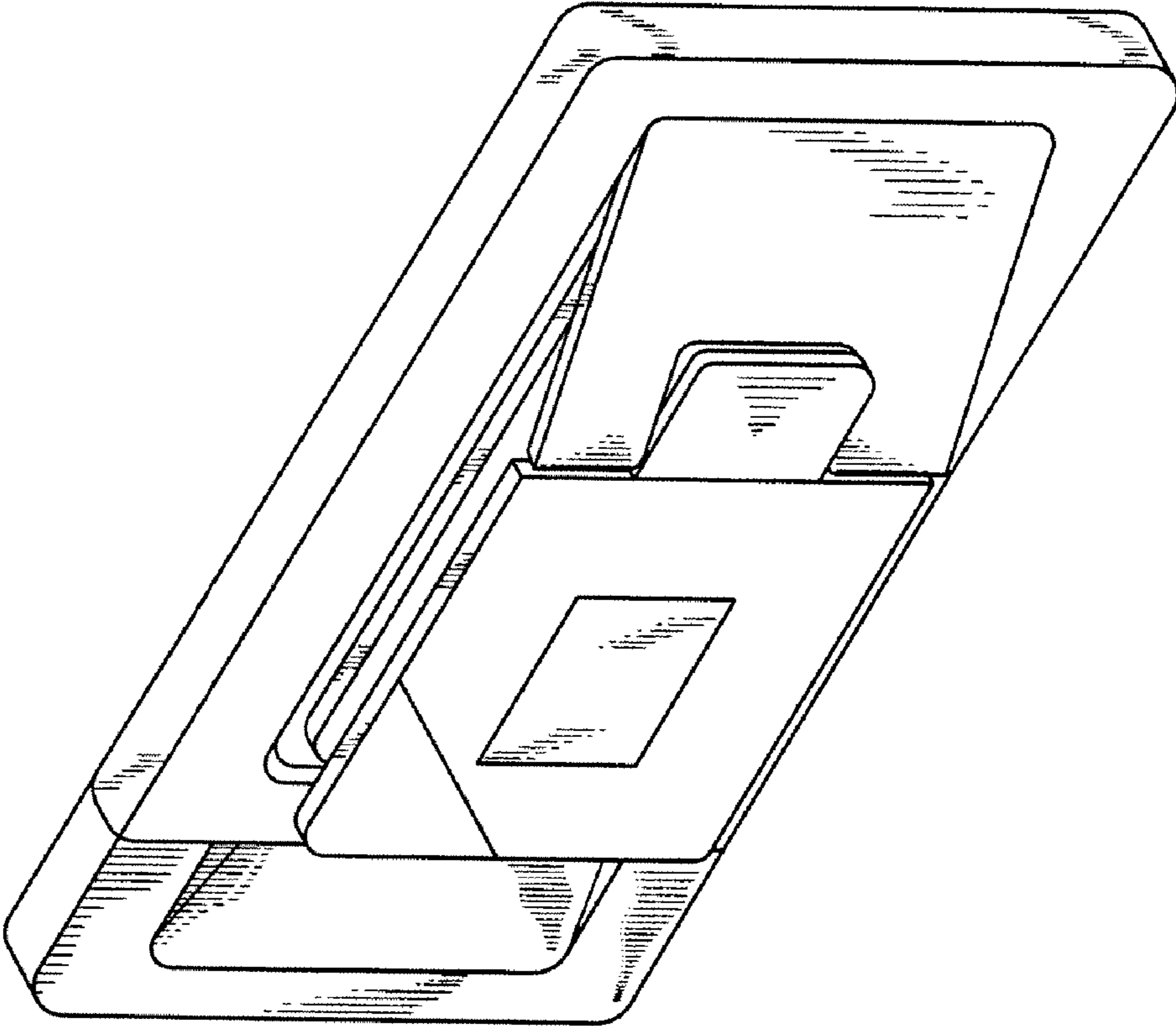


Fig. 8