



US00D555687S

(12) **United States Design Patent**
Yoo et al.

(10) **Patent No.:** **US D555,687 S**

(45) **Date of Patent:** **** Nov. 20, 2007**

(54) **DIGITAL CAMERA**

(75) Inventors: **Seung Seup Yoo**, Seoul (KR); **Sung Kyun Bai**, Seoul (KR)

(73) Assignee: **Samsung Techwin Co., Ltd.**, Changwon (KR)

(**) Term: **14 Years**

(21) Appl. No.: **29/258,869**

(22) Filed: **Apr. 28, 2006**

(30) **Foreign Application Priority Data**

Nov. 2, 2005 (KR) 30-2005-0036936

(51) **LOC (8) Cl.** **16-01**

(52) **U.S. Cl.** **D16/202; D16/218**

(58) **Field of Classification Search** D16/200-206,
D16/208, 218, 219; 348/373-376; 358/909.1;
396/535-541

See application file for complete search history.

(56) **References Cited**

U.S. PATENT DOCUMENTS

6,788,894 B2 * 9/2004 Suzuki et al. 396/535

D508,711 S * 8/2005 Suzuki D16/218
D519,539 S * 4/2006 Takagi D16/202
D521,043 S * 5/2006 Takagi D16/218
D522,555 S * 6/2006 Choi D16/202
D532,029 S * 11/2006 Kim D16/202

* cited by examiner

Primary Examiner—Adir Aronovich

(74) *Attorney, Agent, or Firm*—Drinker Biddle & Reath LLP

(57) **CLAIM**

We claim the ornamental design for a digital camera, as shown and described.

DESCRIPTION

FIG. 1 is a perspective view of the design for a digital camera;

FIG. 2 is a front view of the design of FIG. 1;

FIG. 3 is a rear view of the design of FIG. 1;

FIG. 4 is a top view of the design of FIG. 1;

FIG. 5 is a bottom view of the design of FIG. 1;

FIG. 6 is a left side view of the design of FIG. 1; and,

FIG. 7 is a right side view of the design of FIG. 1.

1 Claim, 4 Drawing Sheets

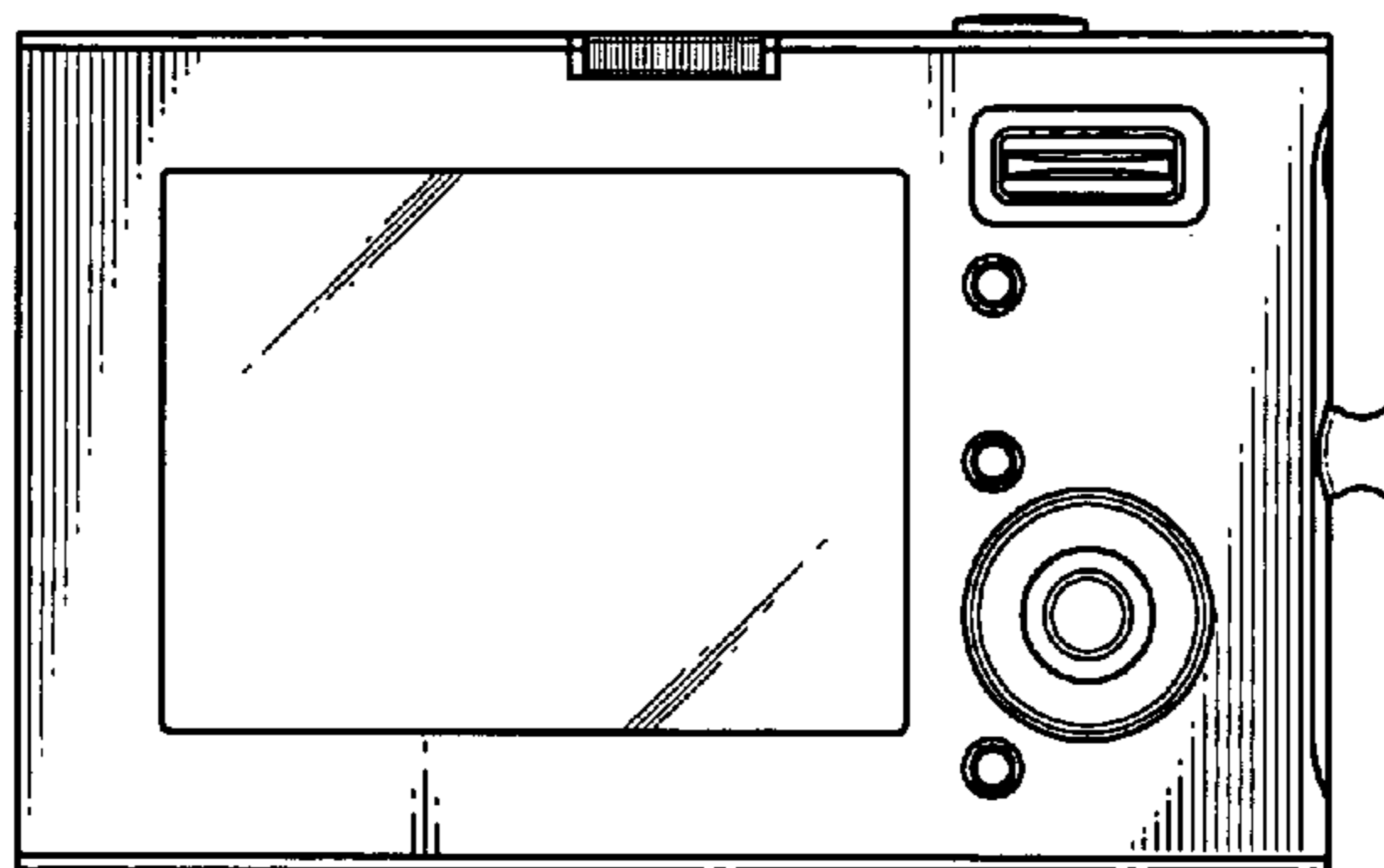
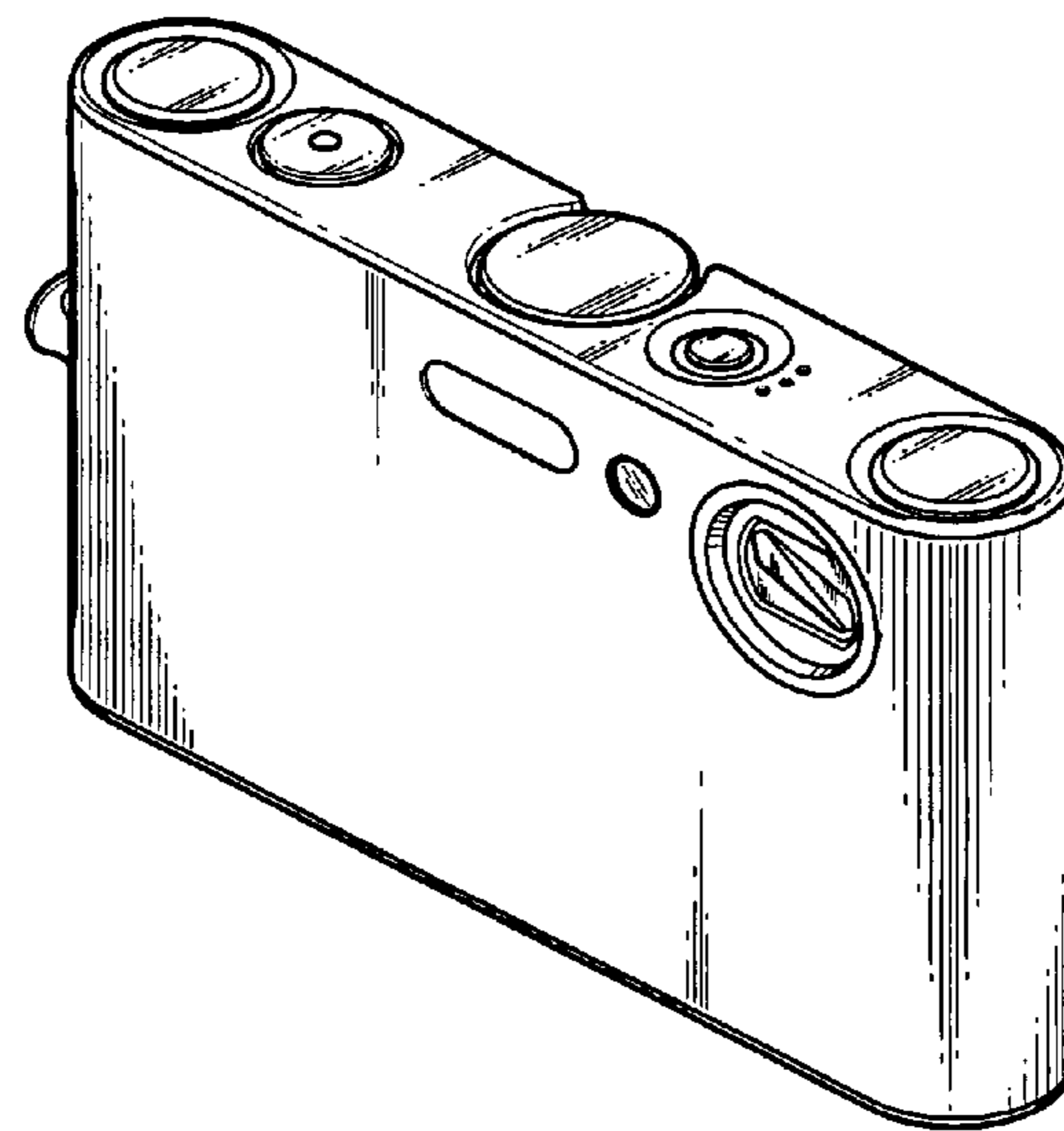


FIG. 1

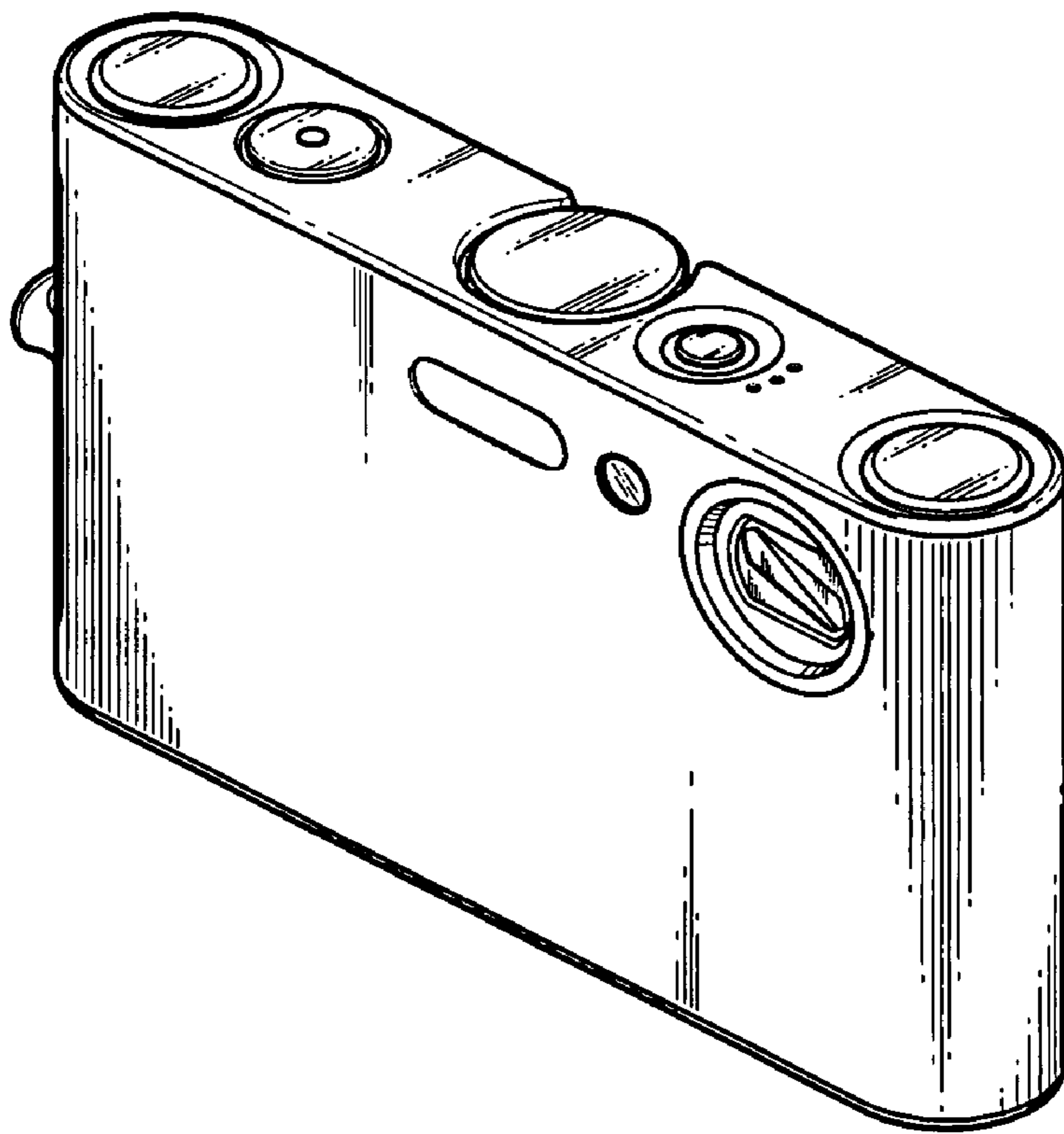


FIG. 2

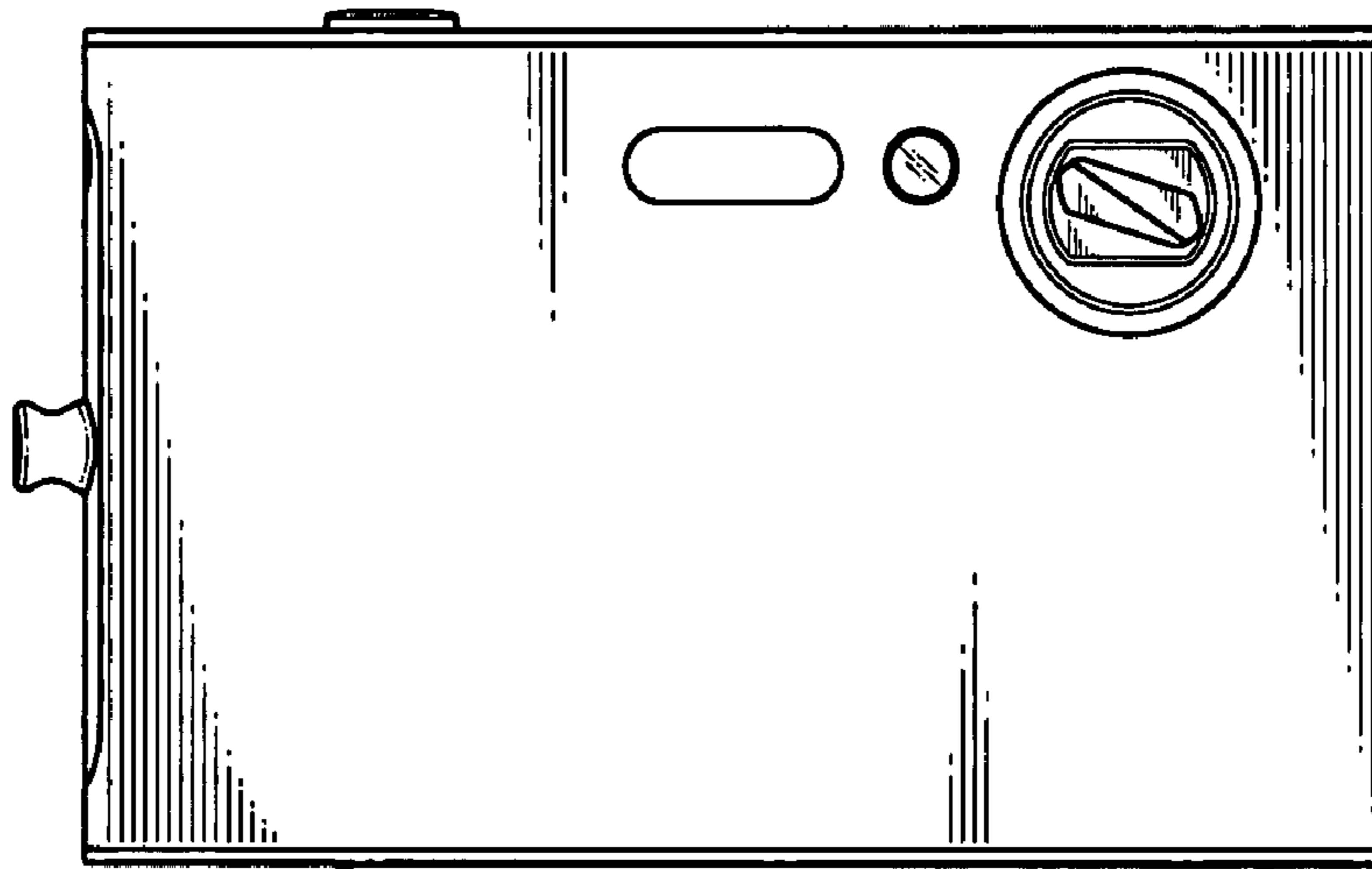


FIG. 3

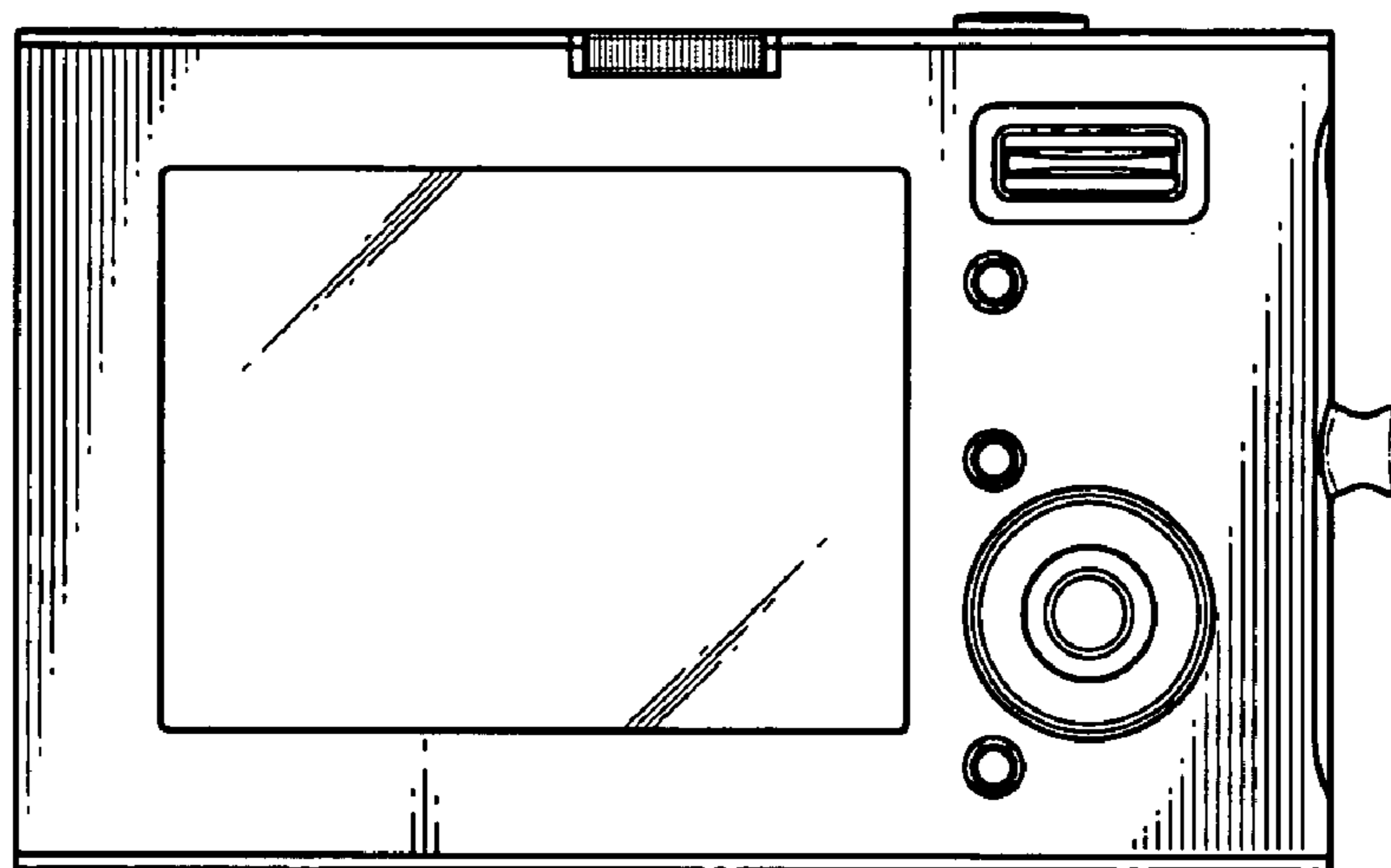


FIG. 4

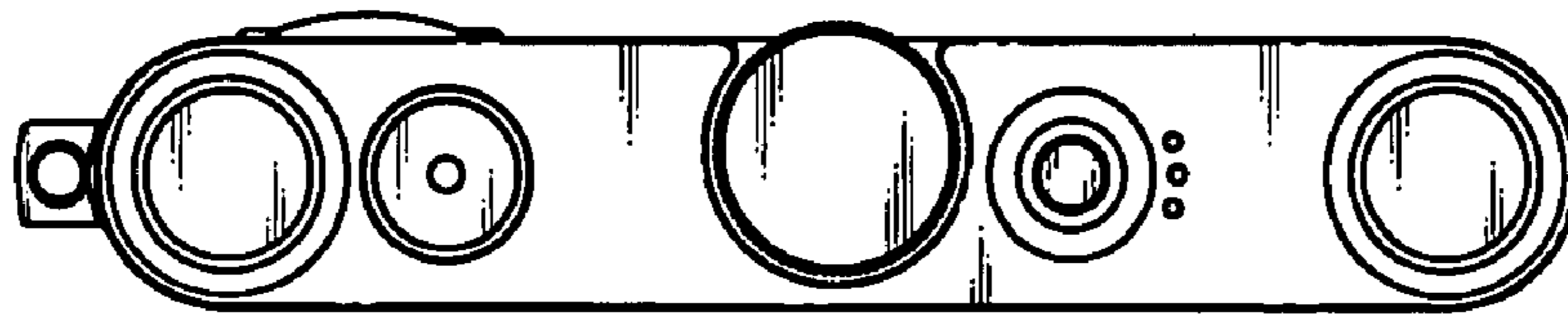


FIG. 5

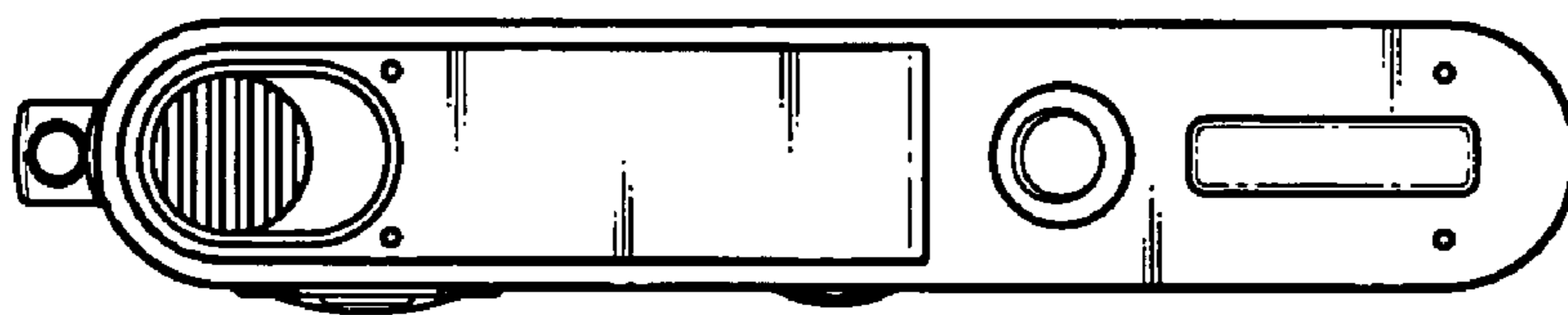


FIG. 6



FIG. 7

