



US00D555686S

(12) **United States Design Patent** (10) **Patent No.:** **US D555,686 S**
Hayakawa (45) **Date of Patent:** **** Nov. 20, 2007**

(54) **CAMCORDER**

GB 2031487 * 5/1994

(75) Inventor: **Yoshiyasu Hayakawa**, Zama (JP)

(73) Assignee: **Victor Company of Japan, Limited**,
Yokohama-shi (JP)

* cited by examiner

(**) Term: **14 Years**

Primary Examiner—Ian Simmons

Assistant Examiner—Wan Laymon

(21) Appl. No.: **29/235,025**

(74) *Attorney, Agent, or Firm*—The Nath Law Group; Jerald L. Meyer; Matthew J. Moffa

(22) Filed: **Jul. 27, 2005**

(57) **CLAIM**

(30) **Foreign Application Priority Data**

The ornamental design for a camcorder, as shown and described.

Feb. 1, 2005 (JP) D2005-002591

(51) **LOC (8) Cl.** **16-01**

DESCRIPTION

(52) **U.S. Cl.** **D16/202; D16/205**

(58) **Field of Classification Search** D16/200–206,
D16/208, 218, 230–231; 348/373–376; 396/535–541,
396/428–429; 358/906, 909.1

FIG. 1 is a perspective view of a camcorder showing my new design;

See application file for complete search history.

FIG. 2 is a rear perspective view thereof;

(56) **References Cited**

FIG. 3 is a front view thereof;

U.S. PATENT DOCUMENTS

FIG. 4 is a rear view thereof;

4,550,343 A * 10/1985 Nakatani 348/375

FIG. 5 is a top plan view thereof;

4,866,465 A * 9/1989 Gallegos 396/189

FIG. 6 is a bottom view thereof;

5,121,147 A * 6/1992 Wada et al. 348/375

FIG. 7 is a right side view thereof; and,

D331,936 S * 12/1992 Ishikawa D16/202

FIG. 8 is a left side view thereof.

D483,782 S * 12/2003 Lannestedt et al. D16/202

The portions of the camcorder in broken lines are shown for illustrative purposes only and form no part of the claimed design.

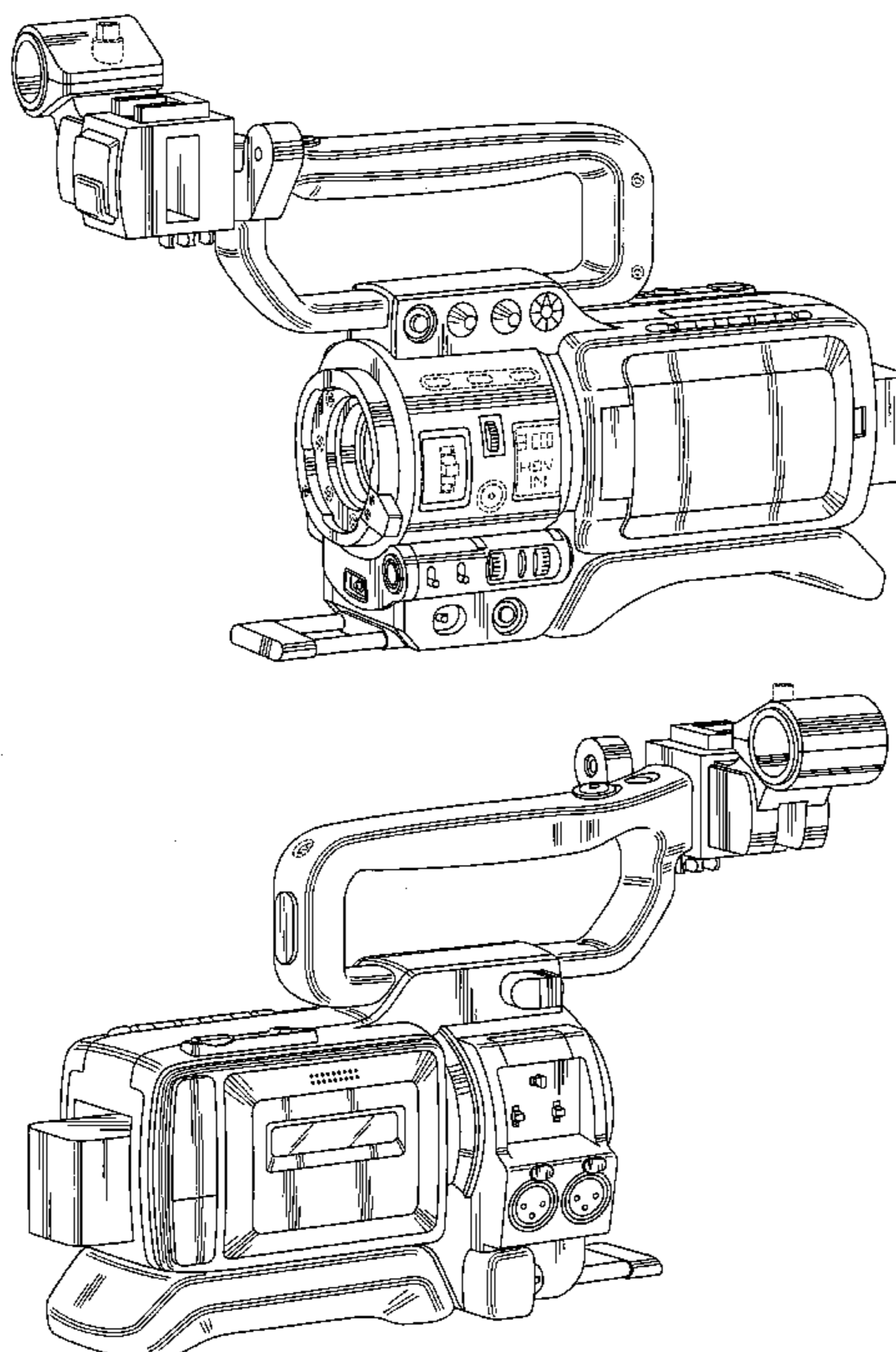
D484,155 S * 12/2003 Lannestedt et al. D16/202

6,977,673 B1 * 12/2005 McKain et al. 348/207.99

FOREIGN PATENT DOCUMENTS

GB 1025265 * 7/1985

1 Claim, 8 Drawing Sheets



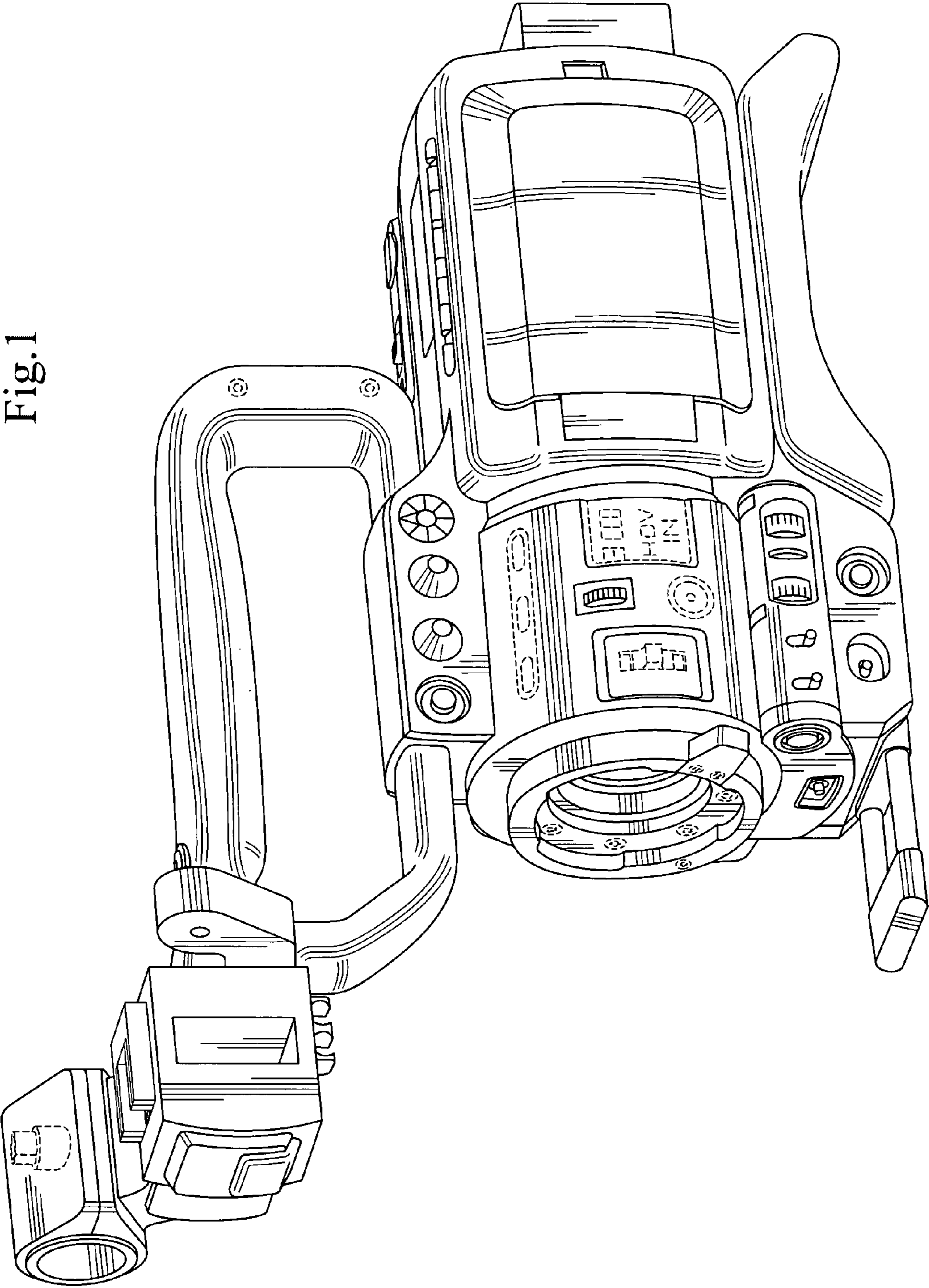


Fig. 1

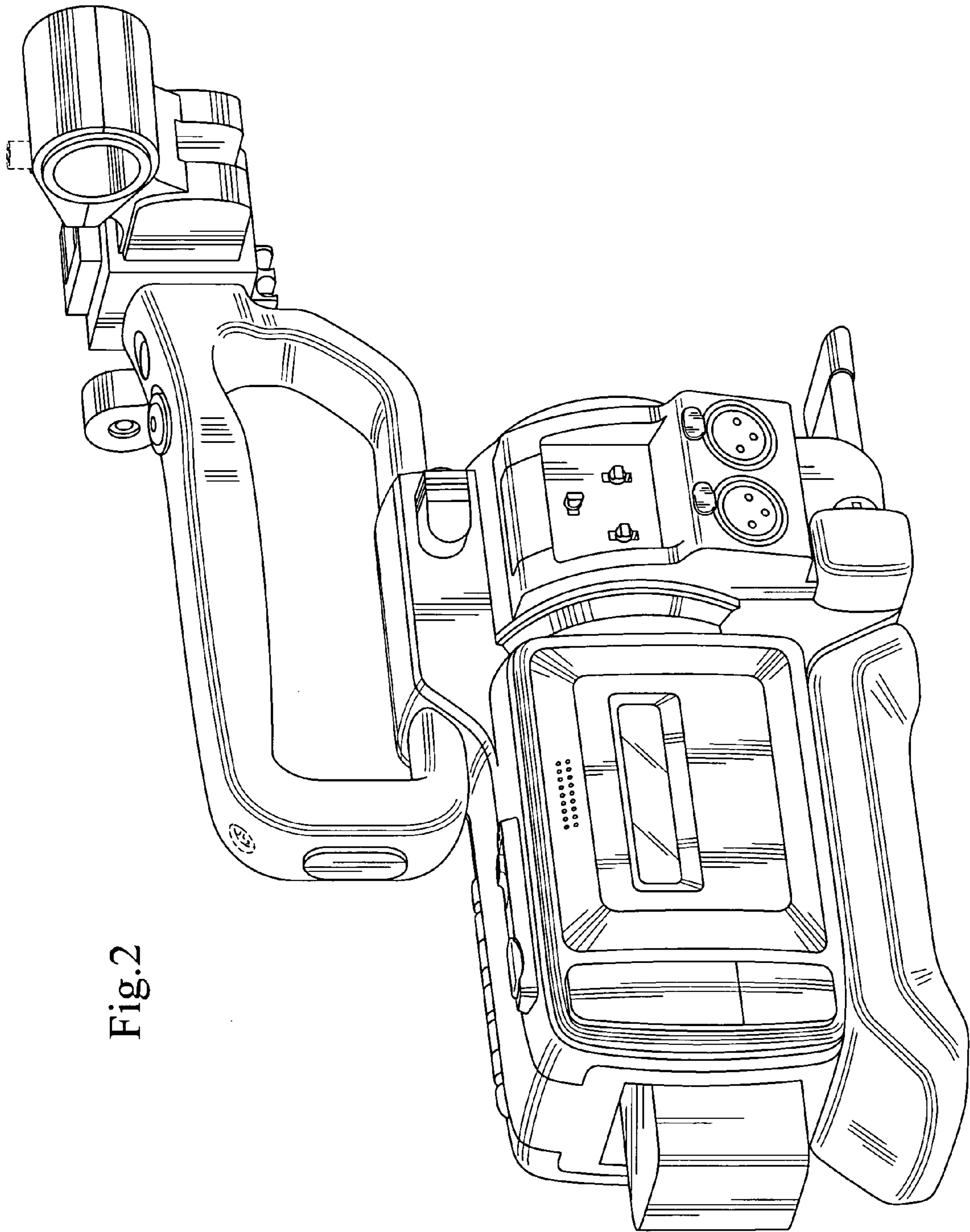


Fig.2

Fig.3

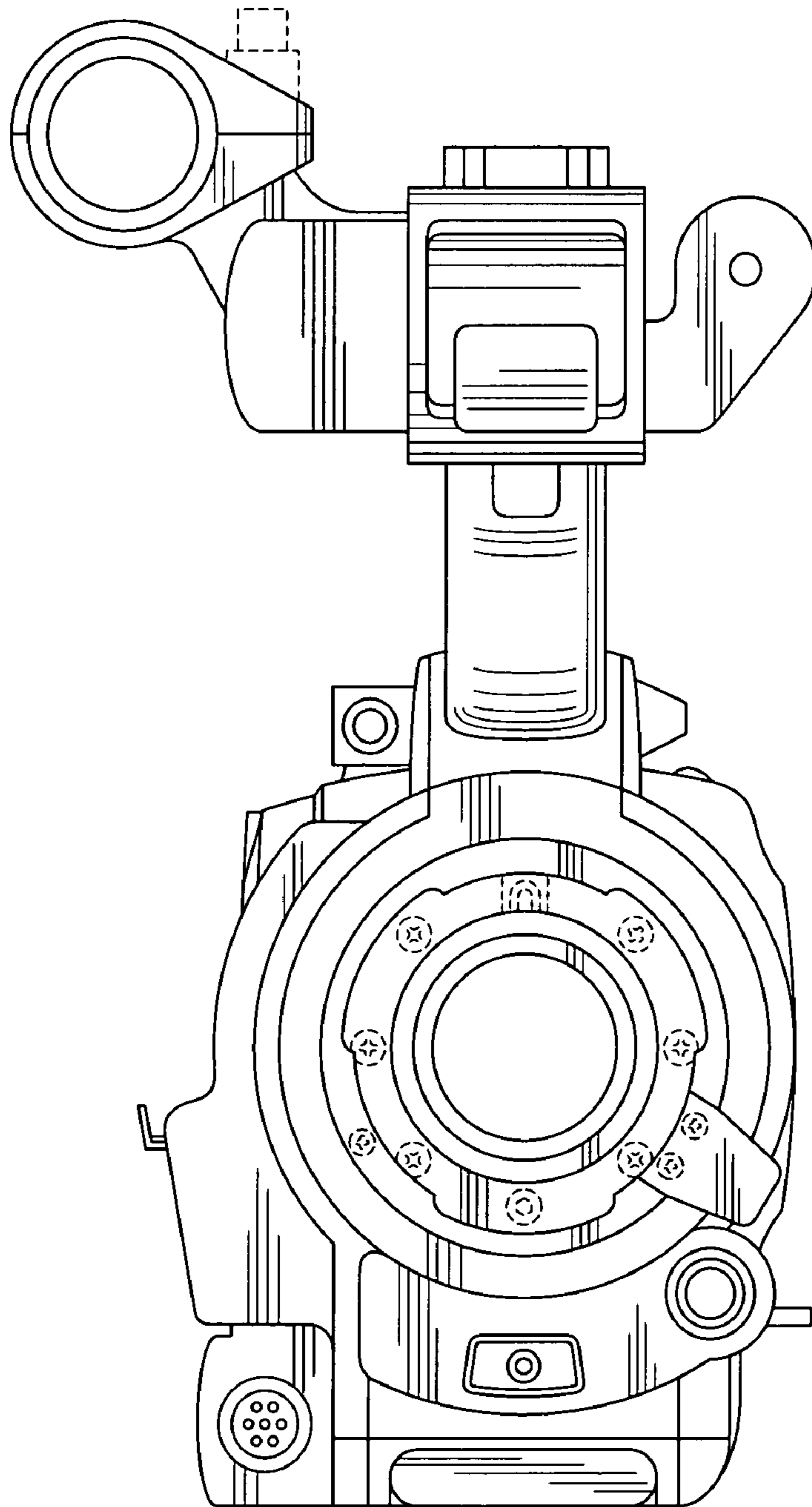


Fig.4

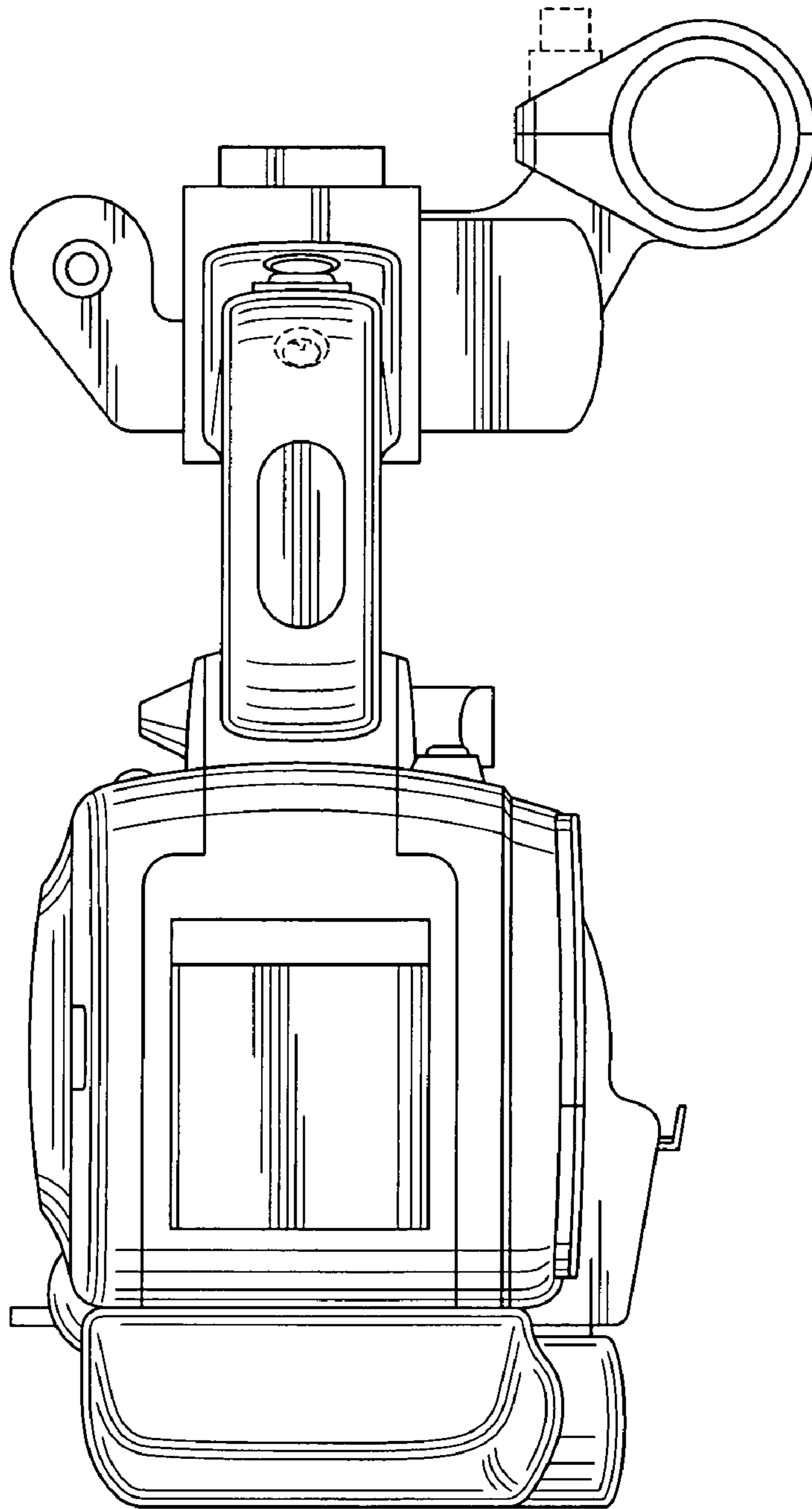


Fig.5

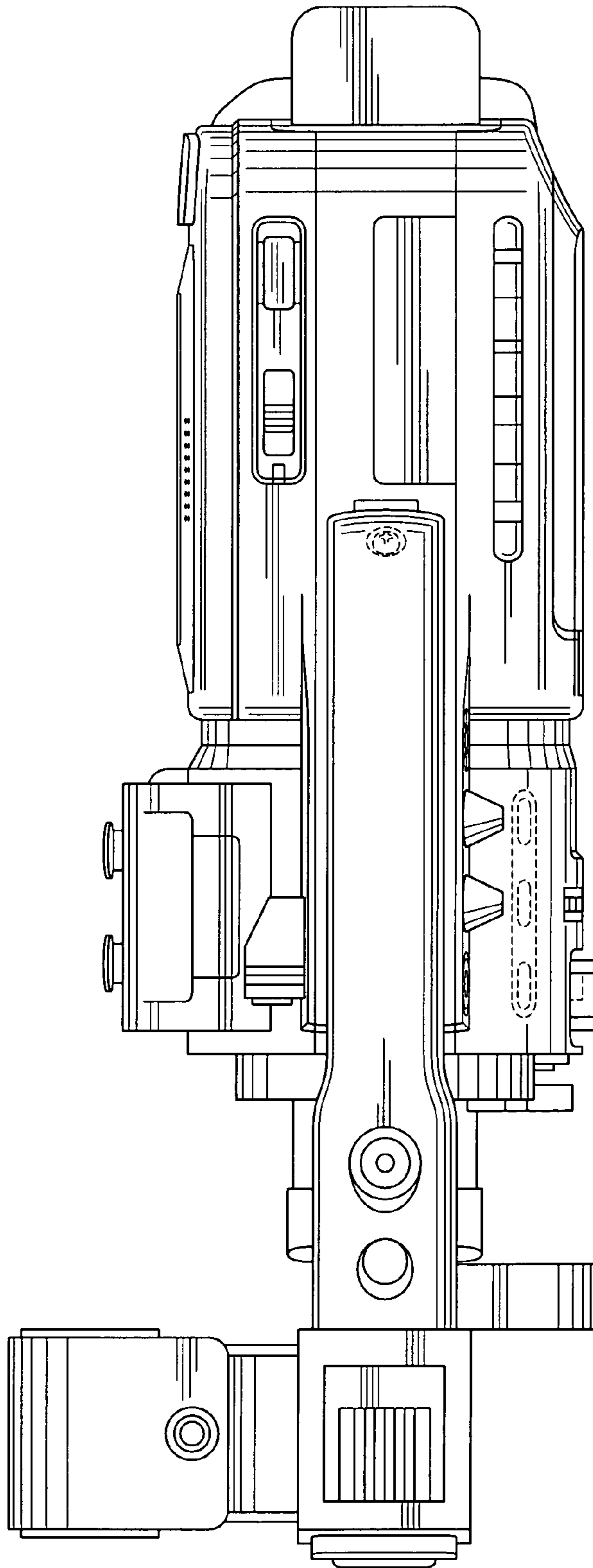


Fig.6

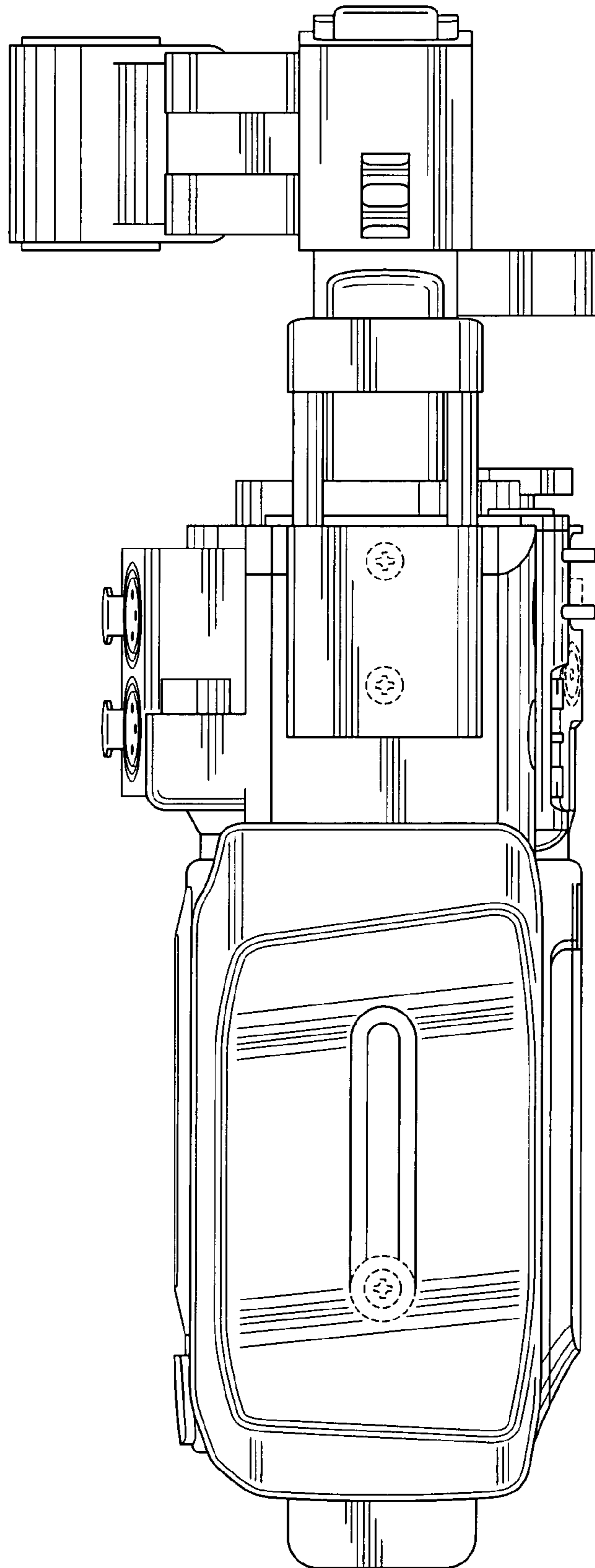
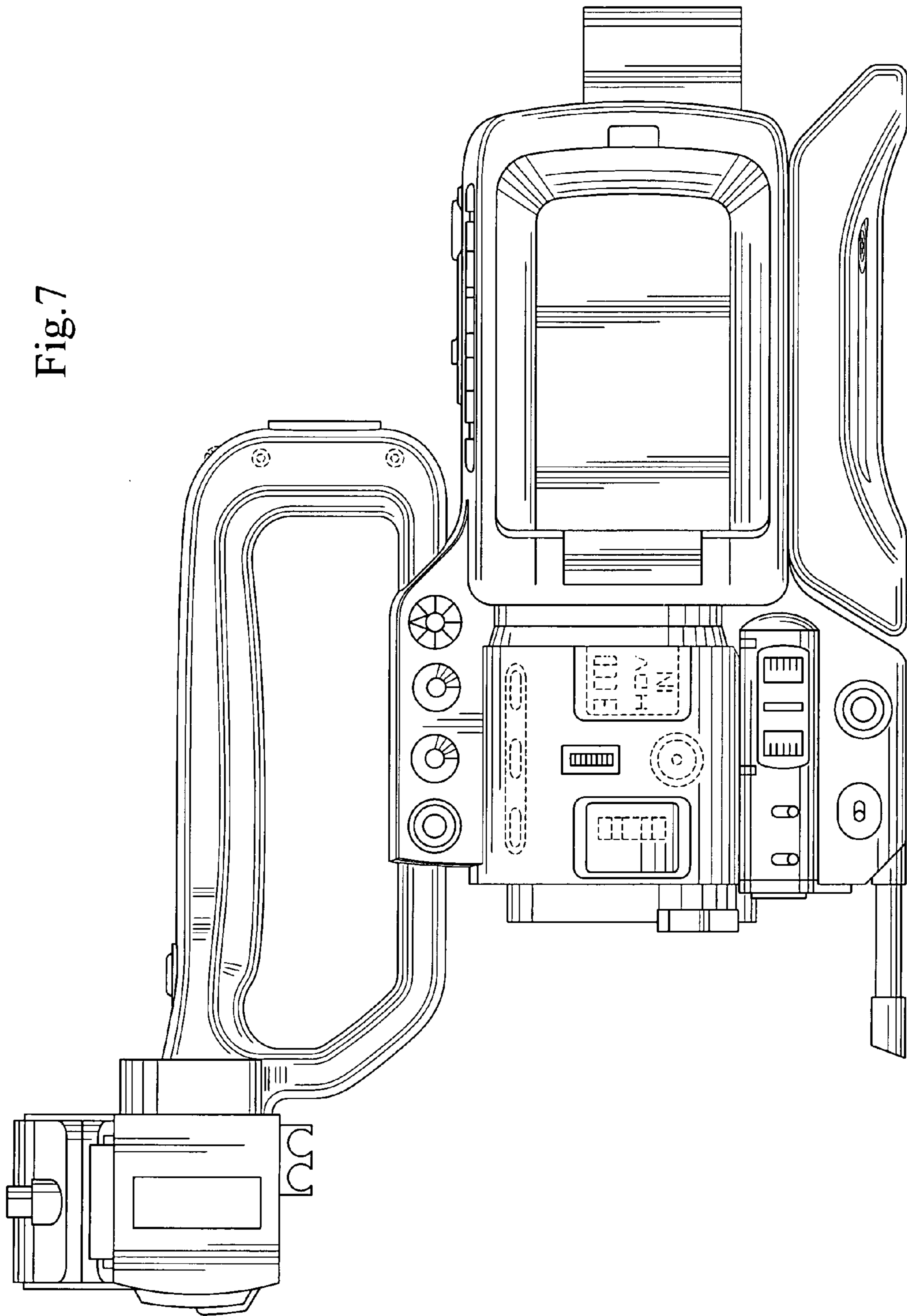


Fig.7



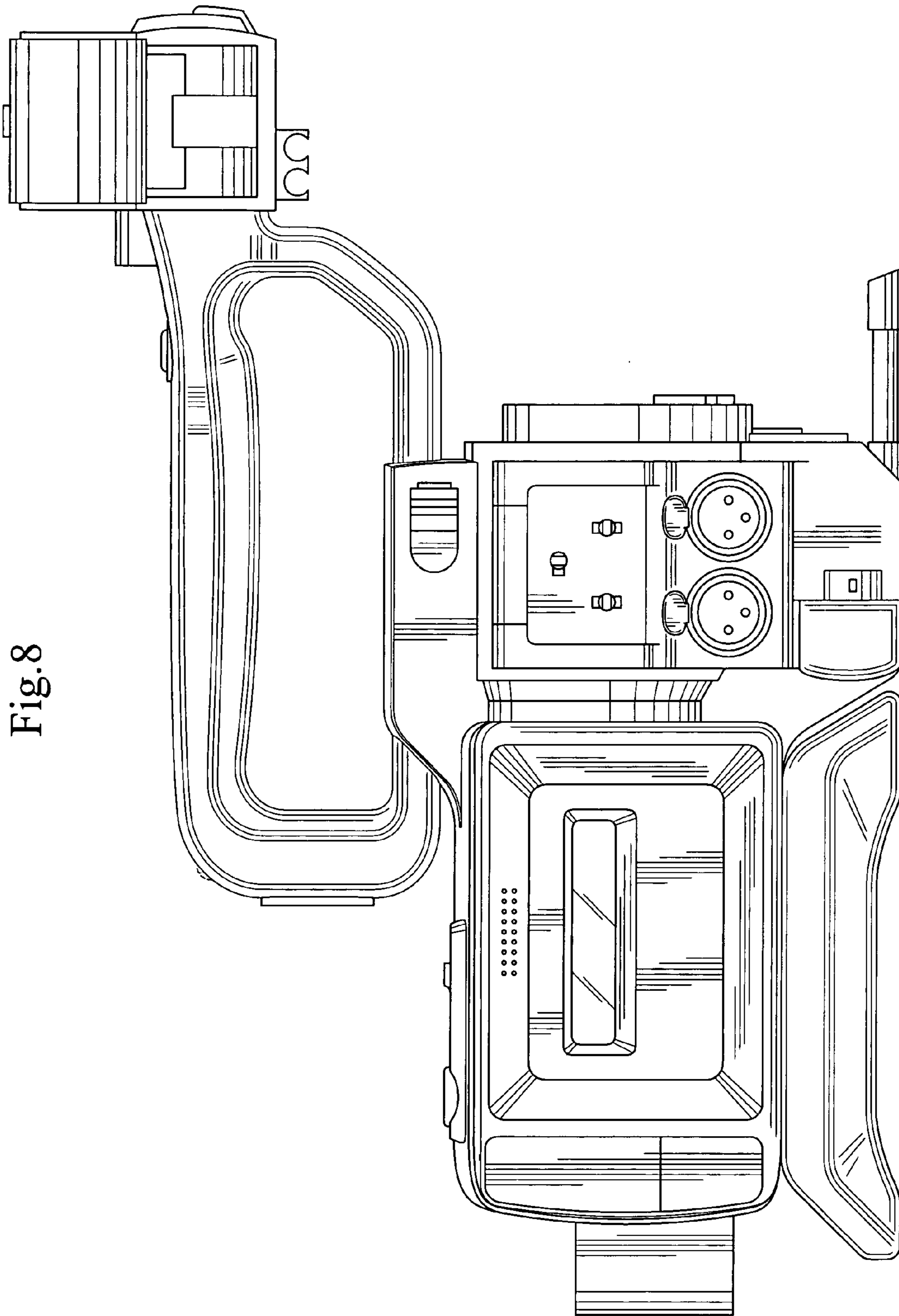


Fig.8