



US00D555685S

(12) **United States Design Patent**
Narita et al.

(10) **Patent No.:** **US D555,685 S**

(45) **Date of Patent:** **** Nov. 20, 2007**

(54) **CAMCORDER**

JP 2079378 * 4/1999
JP 2089358 * 4/2000

(75) Inventors: **Tatsuya Narita**, Yokohama (JP);
Eiichiro Hayashi, Tokyo (JP); **Yoshiko Takematsu**, Yokohama (JP)

* cited by examiner

(73) Assignee: **Victor Company of Japan, Limited**,
Yokohama-shi (JP)

Primary Examiner—Ian Simmons

Assistant Examiner—Wan Laymon

(74) *Attorney, Agent, or Firm*—The Nath Law Group; Jerald L. Meyer; Matthew J. Moffa

(**) Term: **14 Years**

(21) Appl. No.: **29/232,627**

(57) **CLAIM**

(22) Filed: **Jun. 23, 2005**

An ornamental design for a camcorder, as shown and described.

(30) **Foreign Application Priority Data**

Dec. 28, 2004 (JP) D2004-040381

DESCRIPTION

(51) **LOC (8) Cl.** **16-01**

(52) **U.S. Cl.** **D16/202**

(58) **Field of Classification Search** D16/200–205,
D16/206, 208, 218, 230, 231; 348/373–376;
396/535–541, 428, 429; 358/906, 909.1

See application file for complete search history.

FIG. 1 is a front perspective view of a camcorder;

FIG. 2 is a rear perspective view thereof;

FIG. 3 is a front perspective view thereof with the monitor display in an open position;

FIG. 4 is a rear perspective view thereof with the monitor display in an open position;

FIG. 5 is a front view thereof;

FIG. 6 is a rear view thereof;

FIG. 7 is a top plan view thereof;

FIG. 8 is a bottom view thereof;

FIG. 9 is a right side view thereof; and,

FIG. 10 is a left side view thereof.

Those portions of the drawings shown in broken lines are unclaimed subject matter and form no part of the claimed design or of a specified embodiment thereof.

(56) **References Cited**

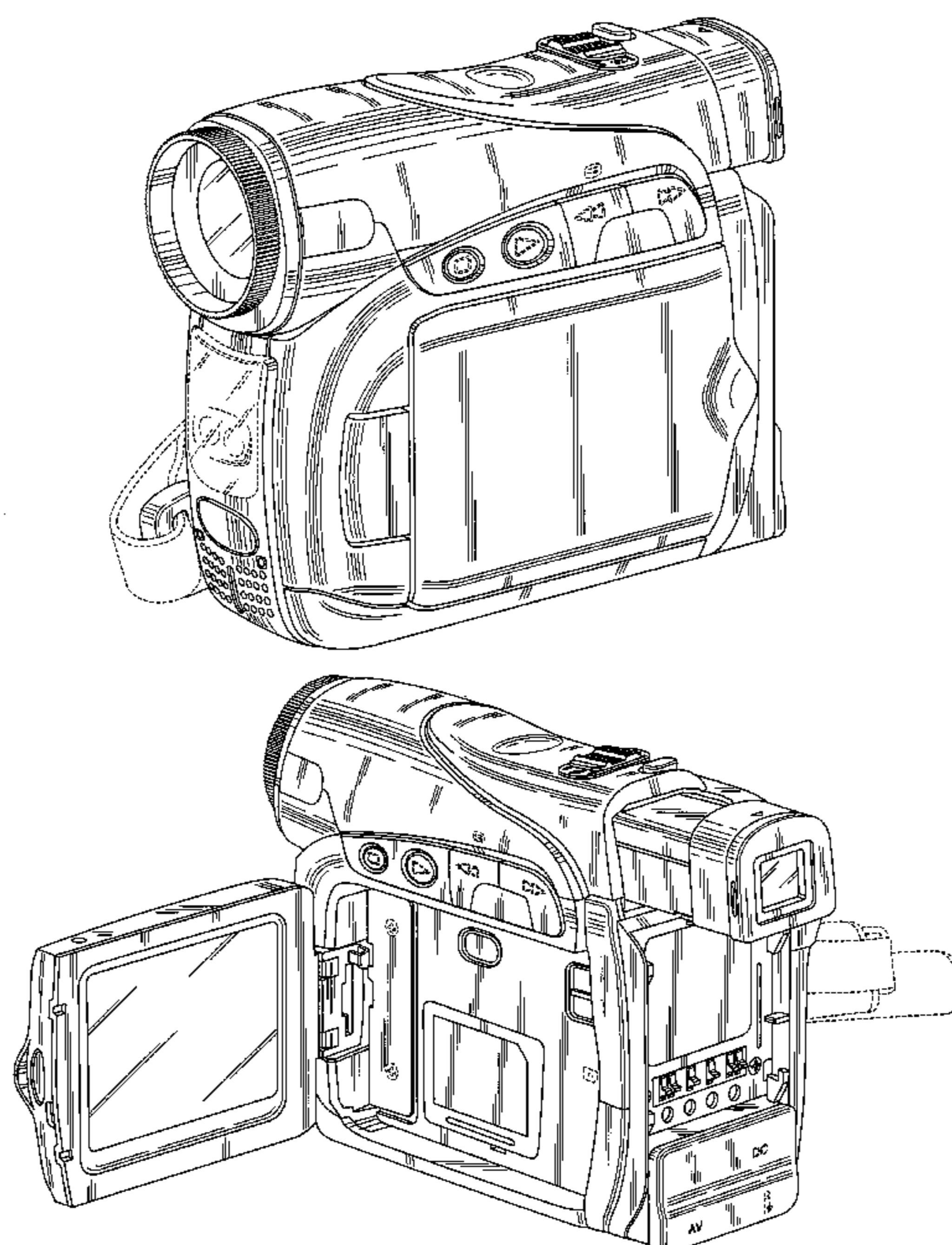
U.S. PATENT DOCUMENTS

D343,403 S *	1/1994	Takano et al.	D16/202
D408,427 S *	4/1999	Saeki et al.	D16/202
D445,814 S *	7/2001	Okii et al.	D16/202
D446,799 S *	8/2001	Ohki et al.	D16/202
D467,601 S *	12/2002	Kojima et al.	D16/202
D473,578 S *	4/2003	Kondoh et al.	D16/202
D491,967 S *	6/2004	Kojima et al.	D16/202

FOREIGN PATENT DOCUMENTS

JP 408294029 A * 11/1996

1 Claim, 10 Drawing Sheets



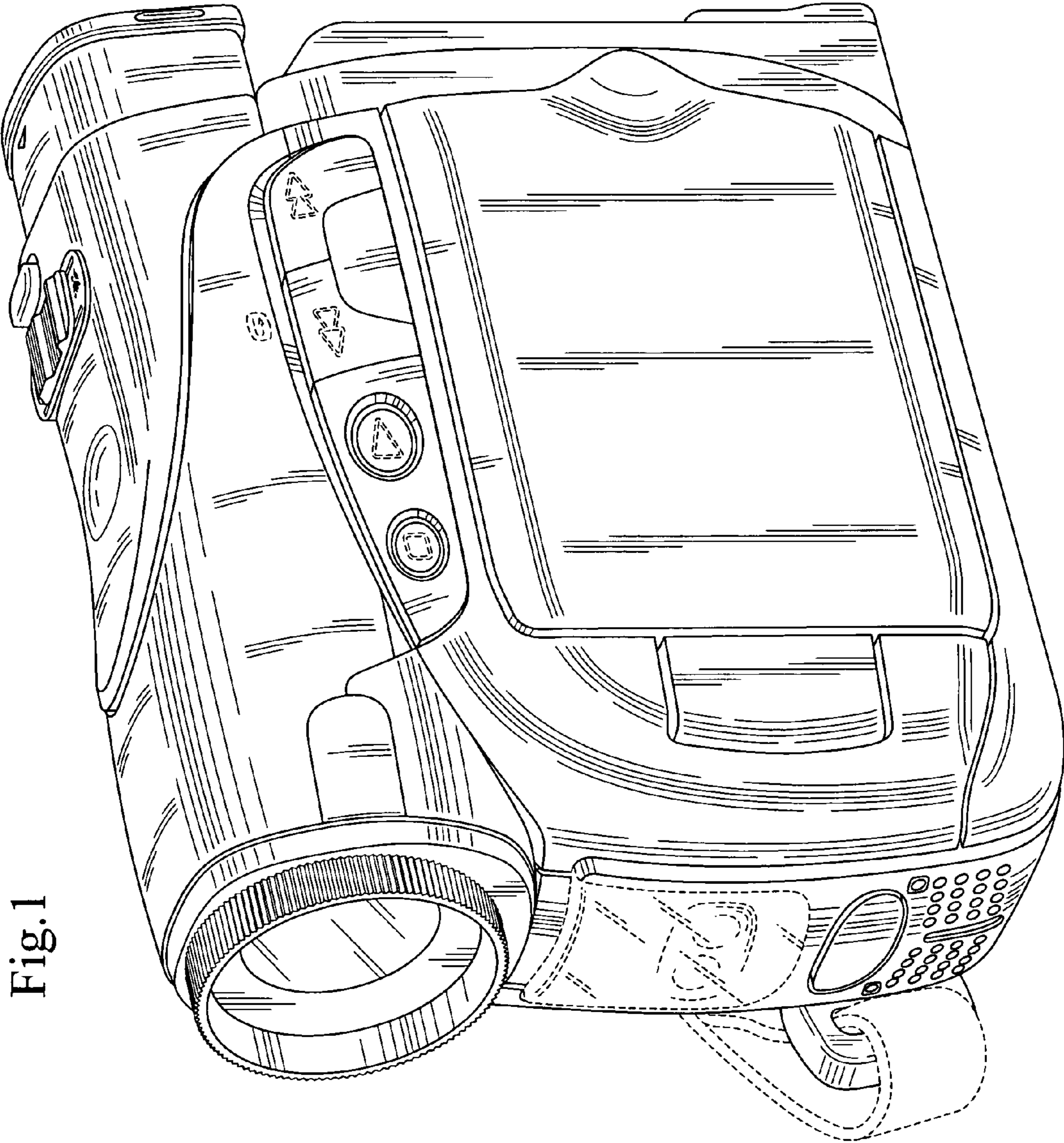


Fig.1

Fig.2

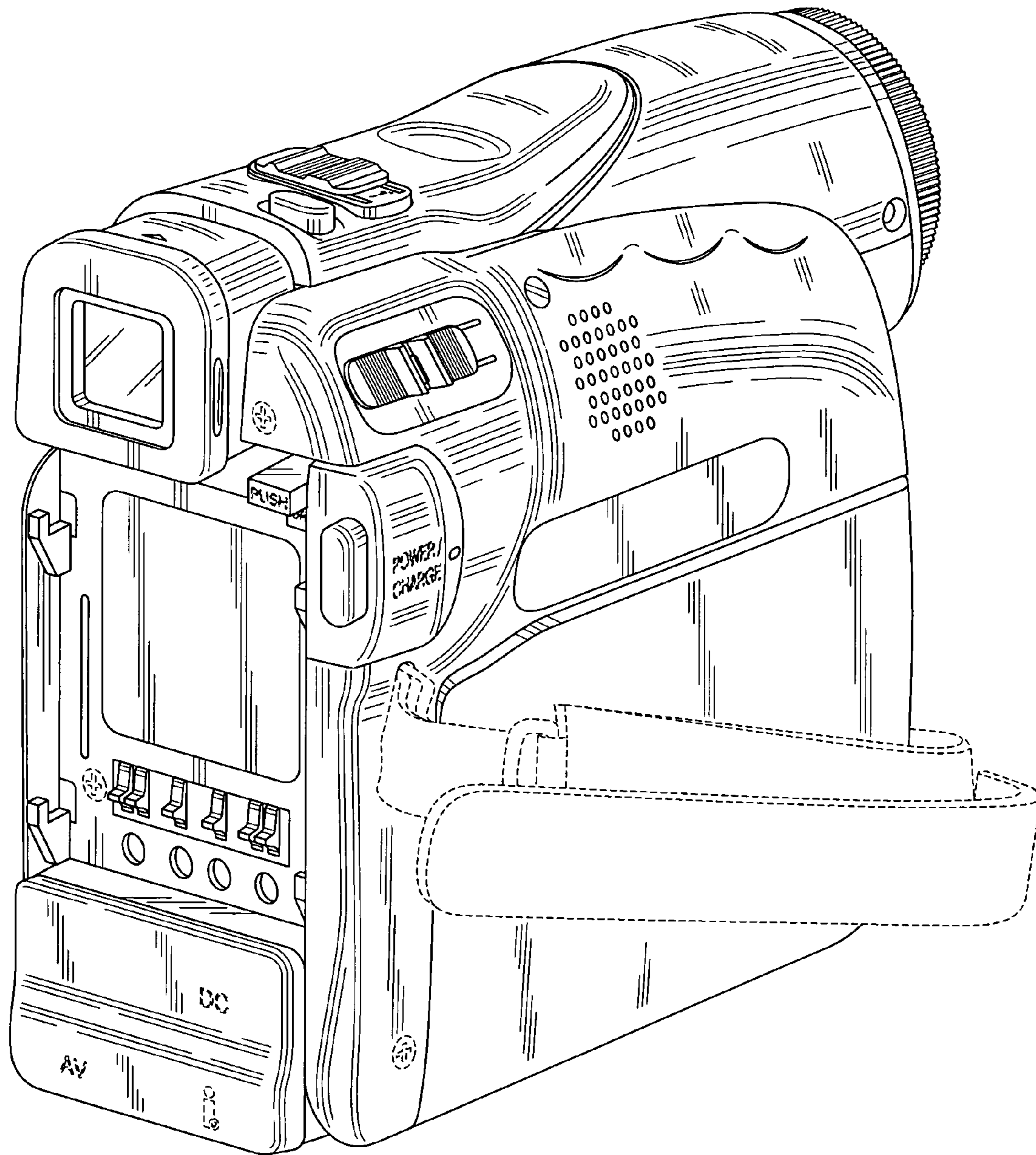


Fig.3

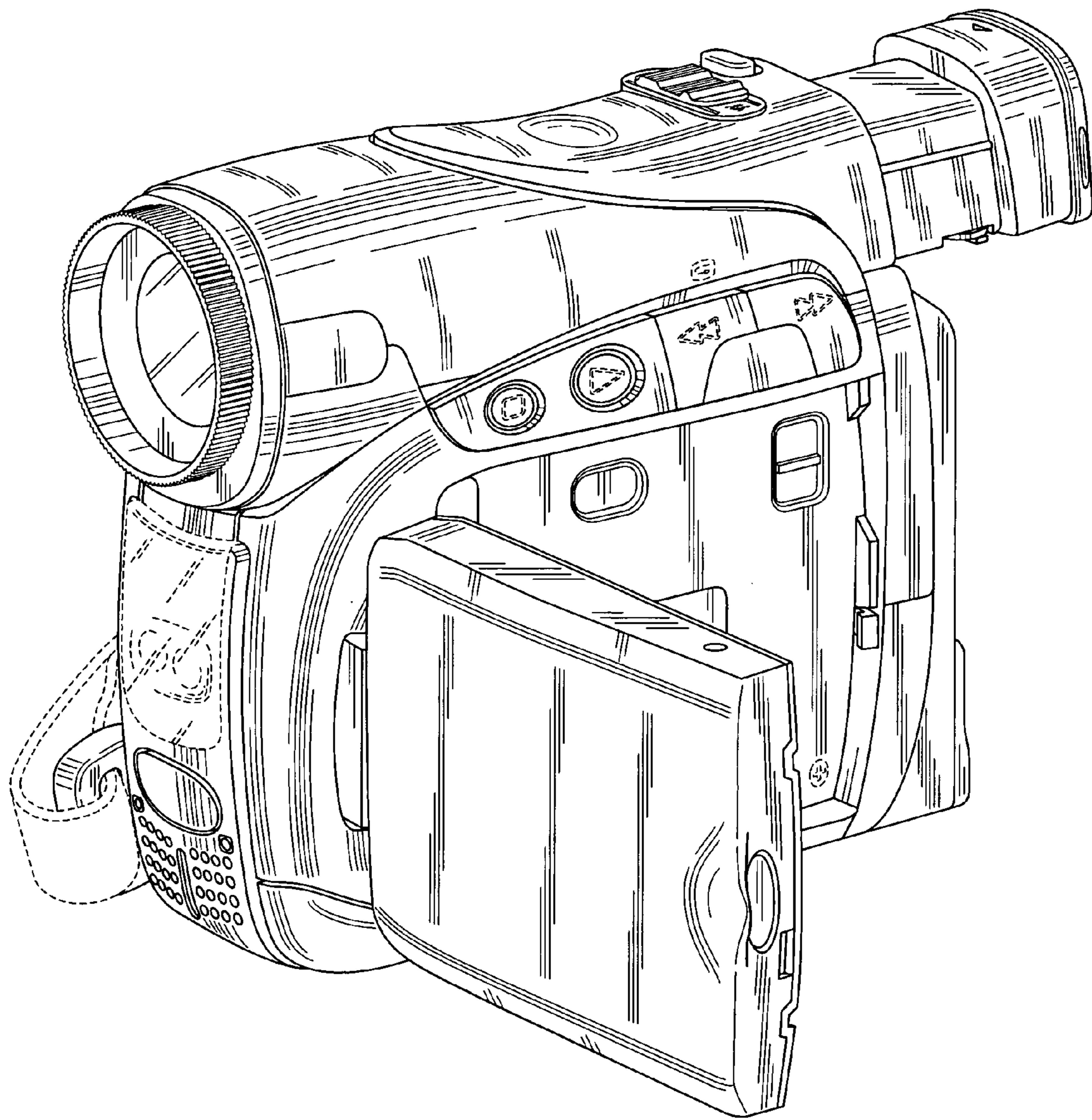


Fig.4

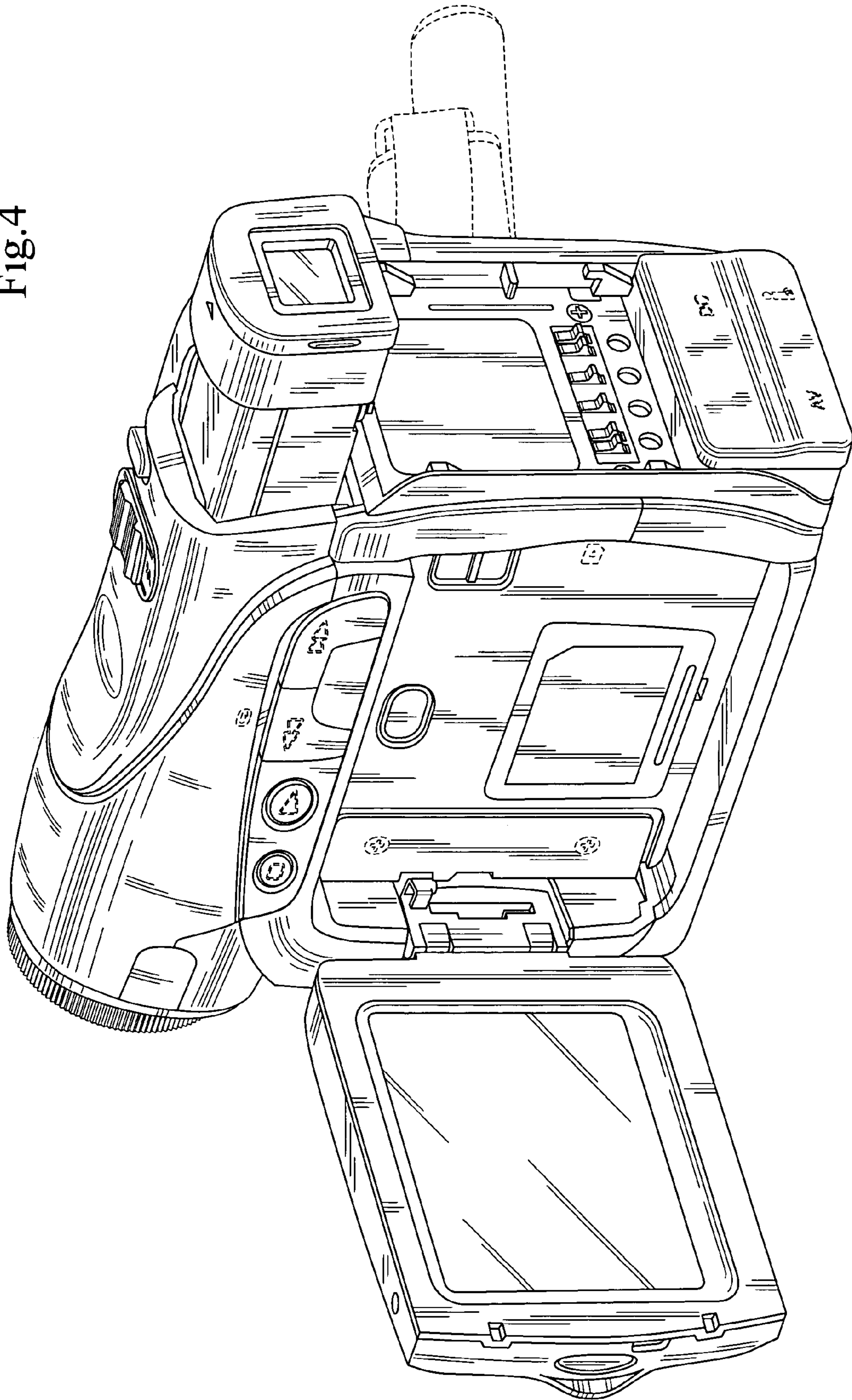


Fig.5

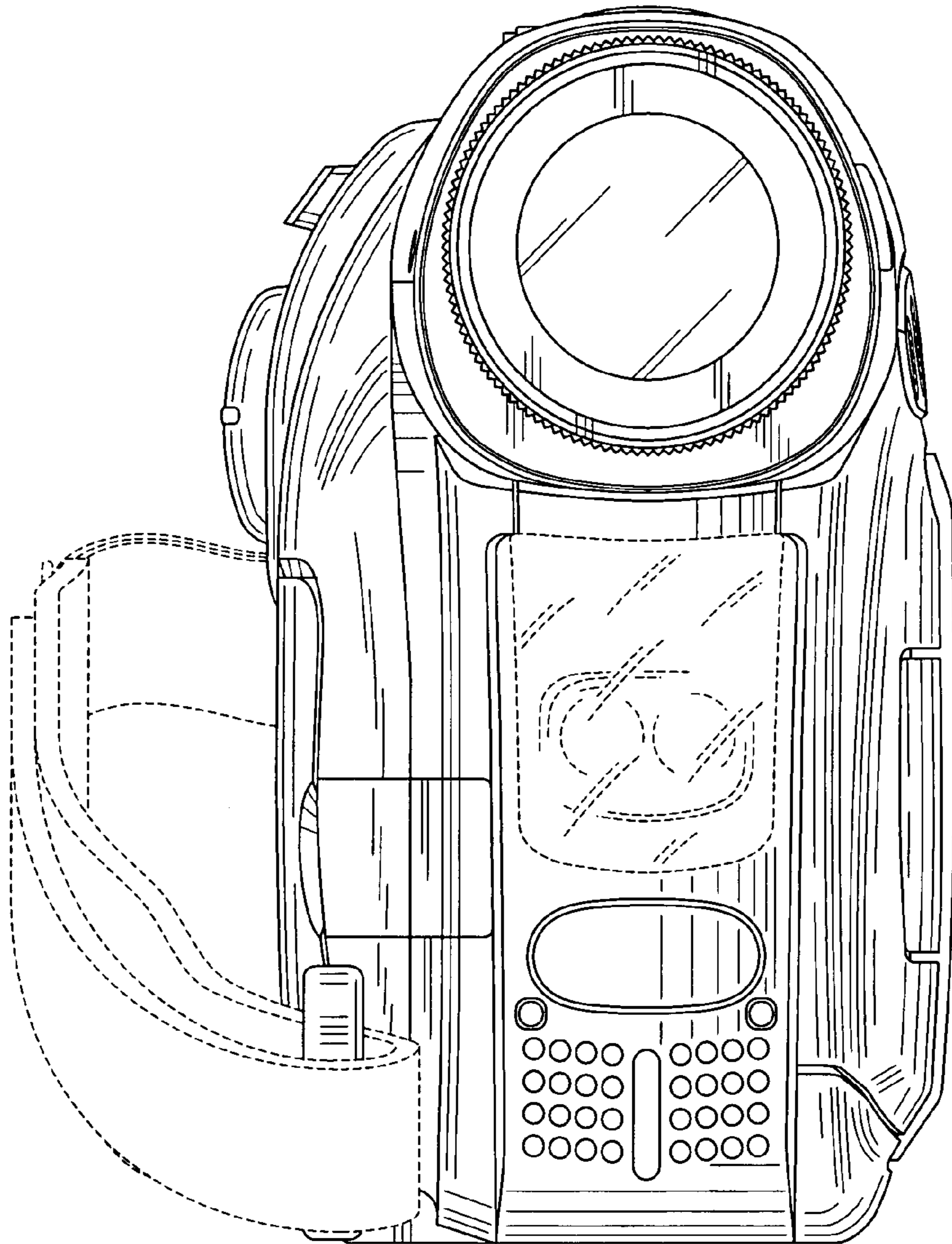


Fig.6

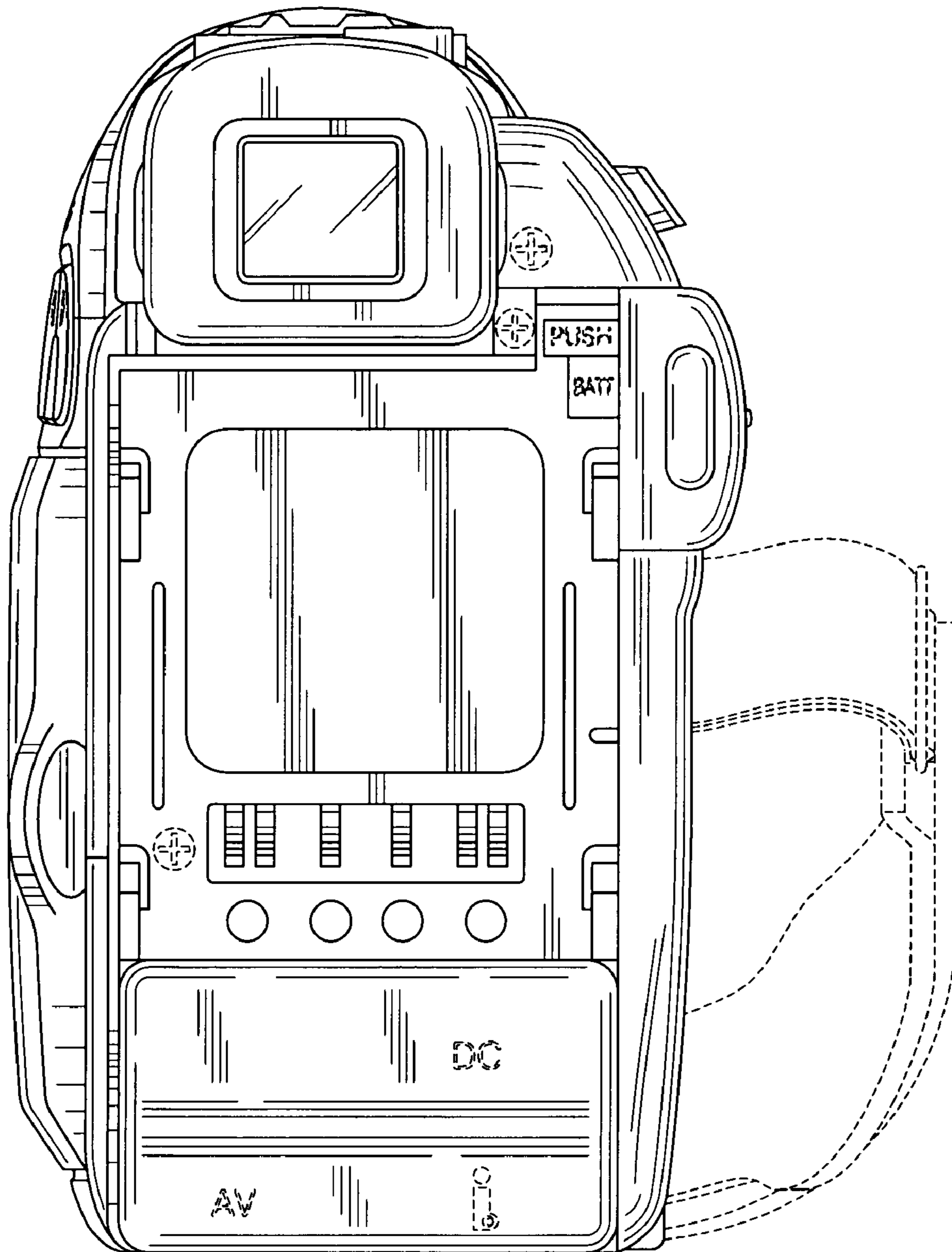


Fig.7

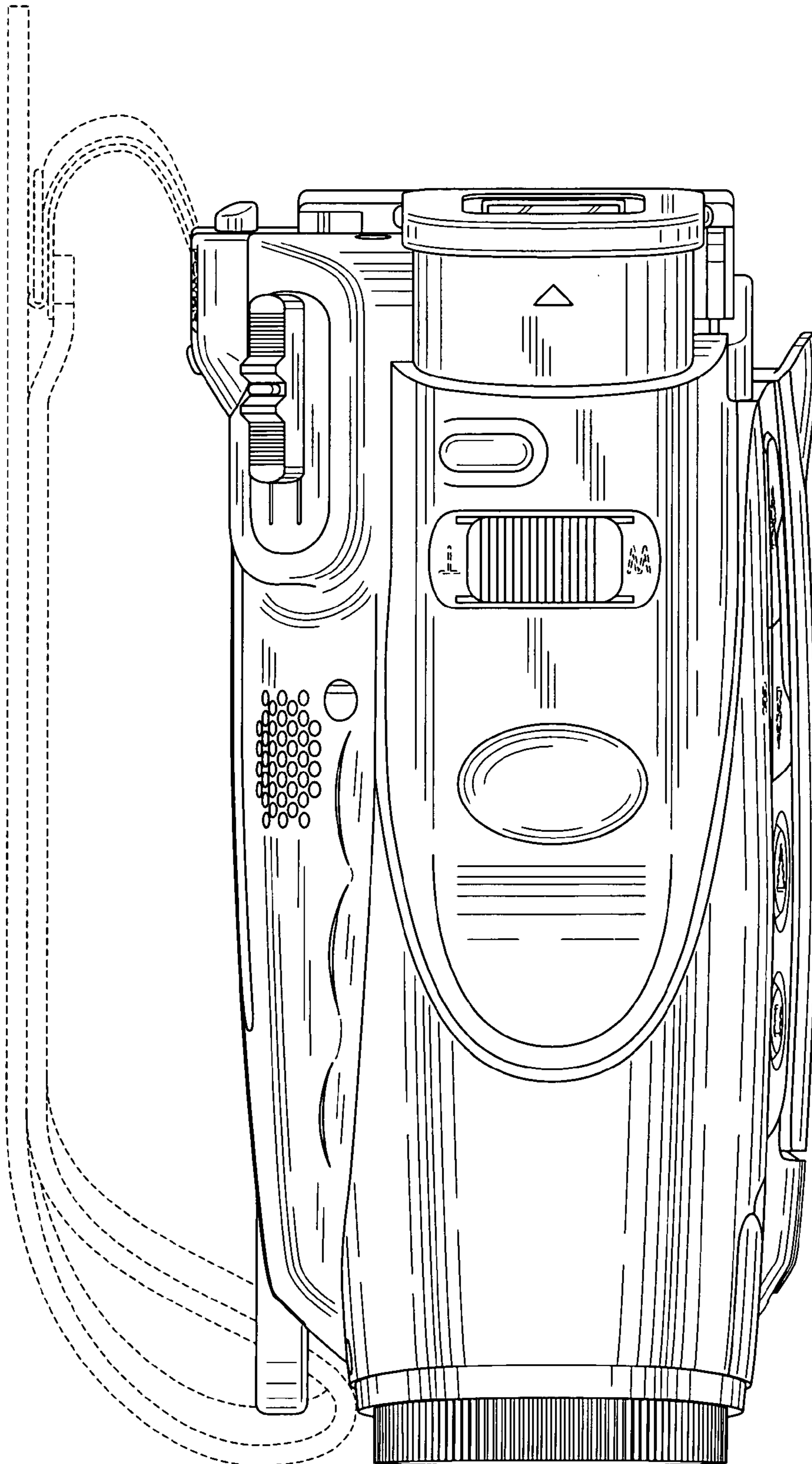
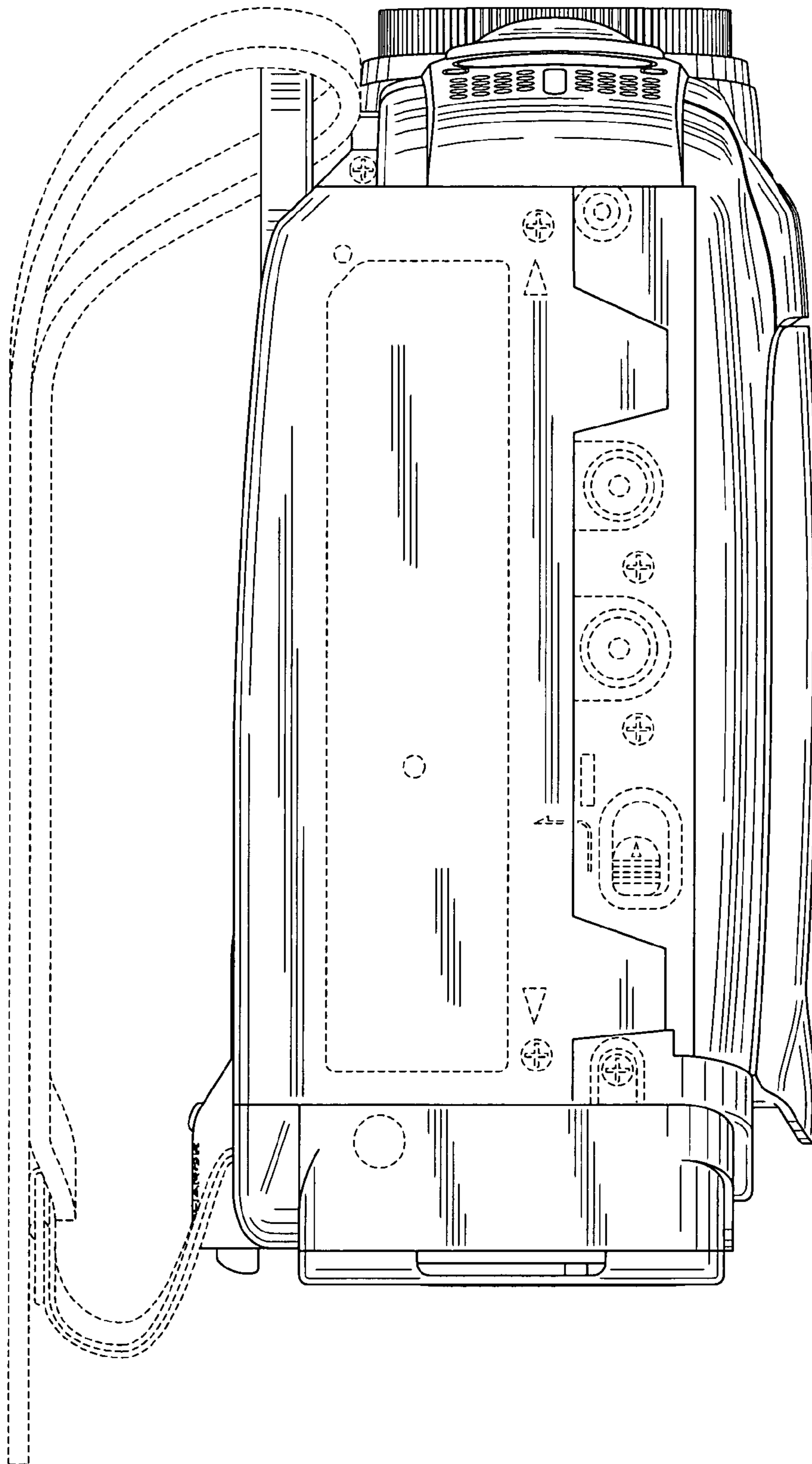


Fig.8



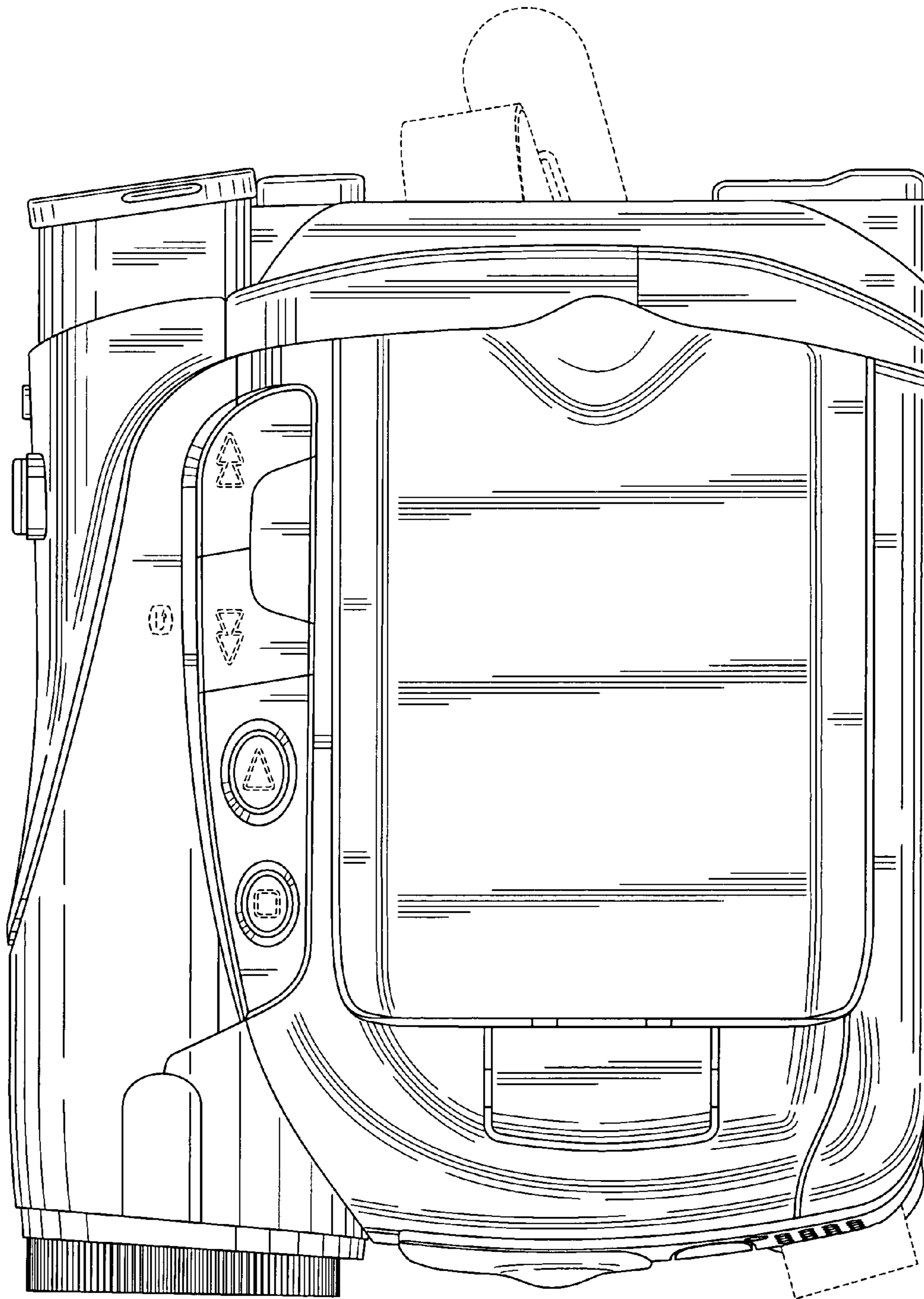


Fig.9

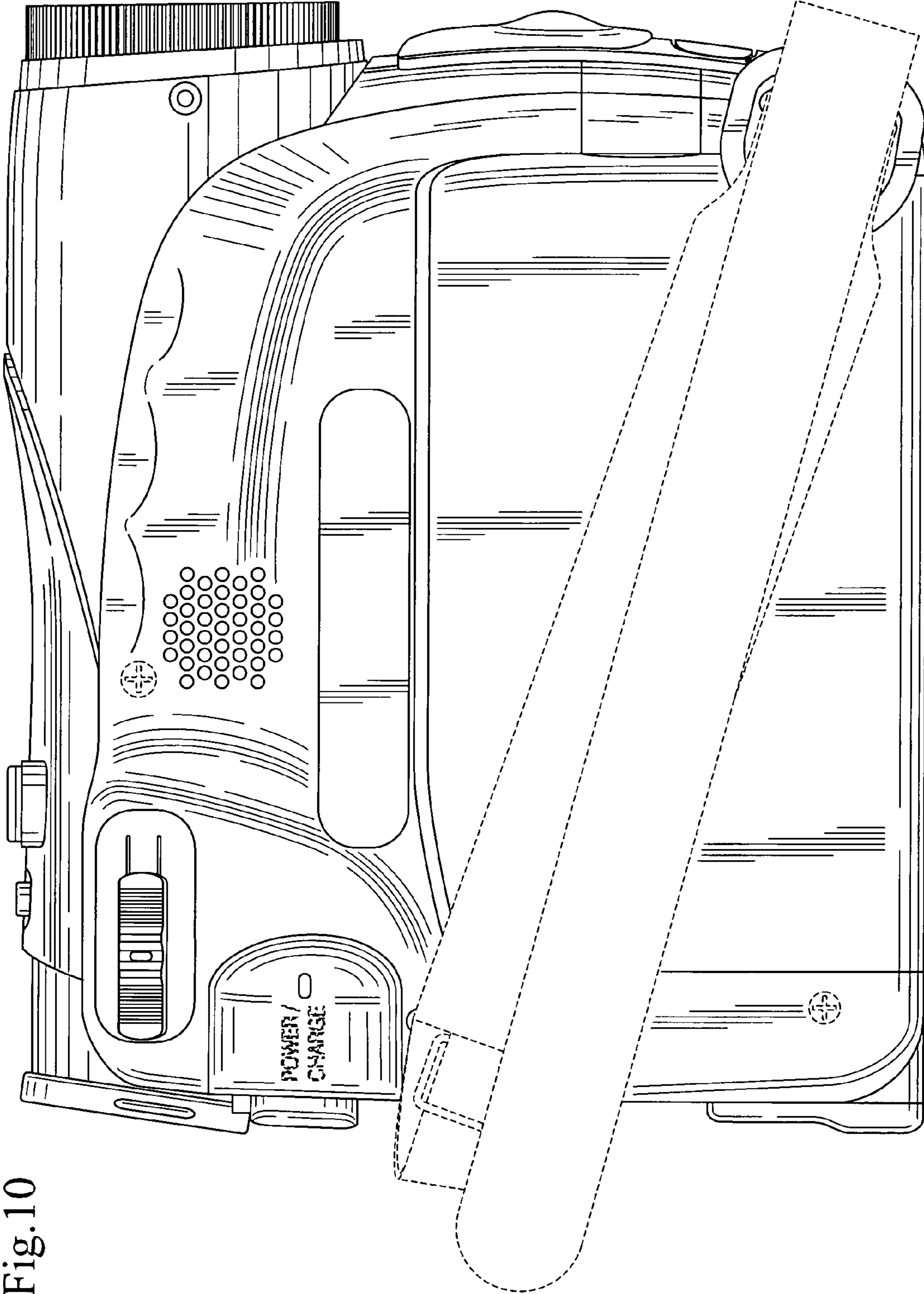


Fig. 10