



US00D555684S

(12) **United States Design Patent**
Waggle et al.

(10) **Patent No.:** **US D555,684 S**

(45) **Date of Patent:** **** Nov. 20, 2007**

(54) **CUTTING INSERT**

(75) Inventors: **James M. Waggle**, Derry, PA (US);
Ronald L. Dudzinsky, Derry, PA (US);
Shawn E. Frye, Latrobe, PA (US);
Dennis W. McNamara, Greensburg, PA (US)

(73) Assignee: **Kennametal Inc.**, Latrobe, PA (US)

(**) Term: **14 Years**

(21) Appl. No.: **29/285,053**

(22) Filed: **Mar. 20, 2007**

(51) **LOC (8) Cl.** **15-09**

(52) **U.S. Cl.** **D15/139**

(58) **Field of Classification Search** D15/138,
D15/139; 407/35, 42, 112-119

See application file for complete search history.

(56) **References Cited**

U.S. PATENT DOCUMENTS

- D363,076 S * 10/1995 Hansson et al. D15/139
- D364,178 S * 11/1995 Hansson et al. D15/139
- D367,866 S * 3/1996 Pantzar et al. D15/139

- D369,362 S * 4/1996 Pantzar et al. D15/139
- 5,544,984 A * 8/1996 Pantzar 407/113
- 5,718,540 A * 2/1998 Satran et al. 407/42
- D427,215 S * 6/2000 Nelson D15/139
- D523,040 S * 6/2006 Niebauer et al. D15/139

* cited by examiner

Primary Examiner—Antoine D. Davis

Assistant Examiner—Patricia Palasik

(74) *Attorney, Agent, or Firm*—Larry R. Meenan

(57) **CLAIM**

The ornamental design for a cutting insert, as shown and described.

DESCRIPTION

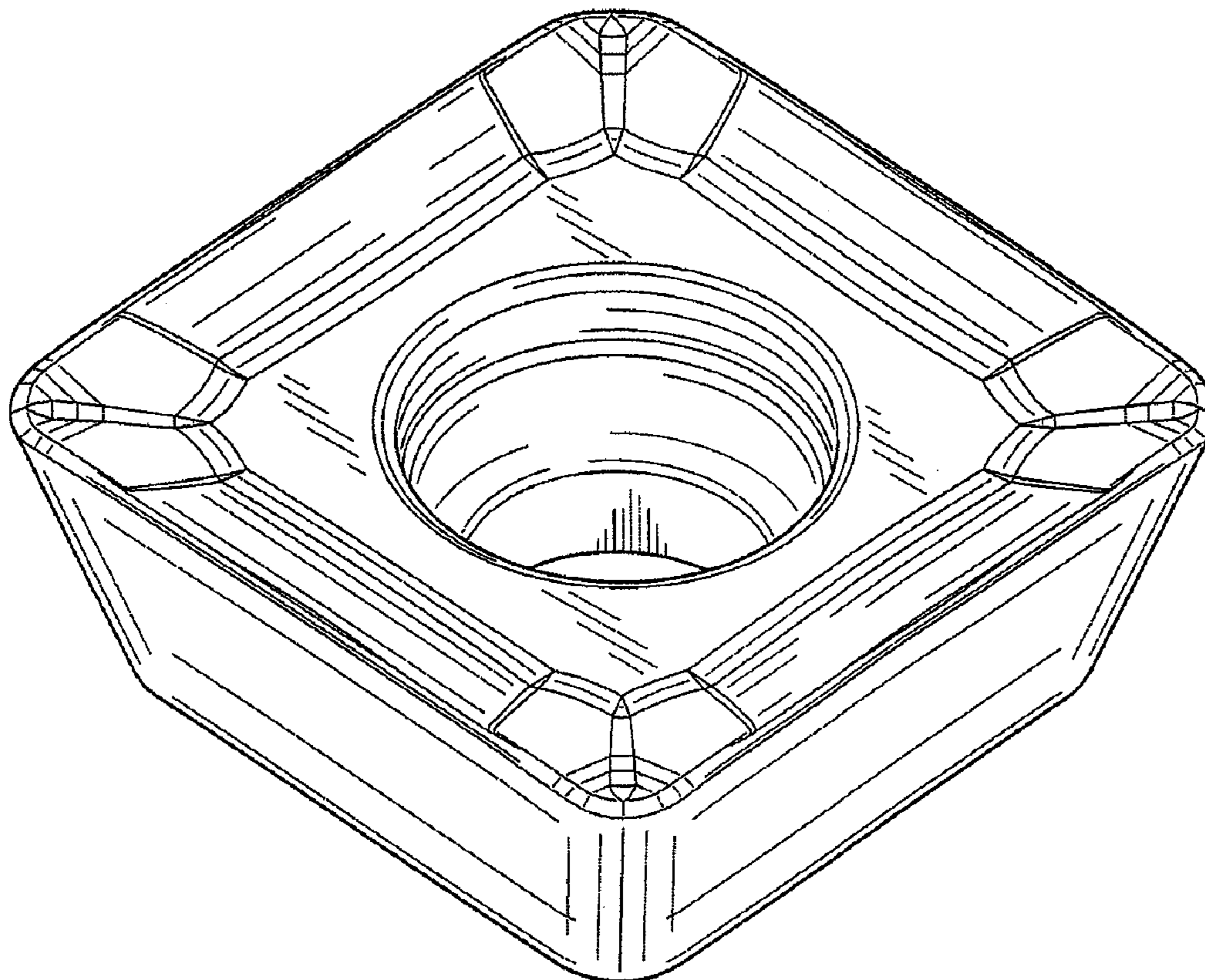
FIG. 1 is a perspective view of a cutting insert showing our new design.

FIG. 2 is a top plan view of the cutting insert shown in FIG. 1;

FIG. 3 is a bottom plan view of the cutting insert shown in FIG. 1; and,

FIG. 4 is a side view of the cutting insert shown in FIG. 1.

1 Claim, 3 Drawing Sheets



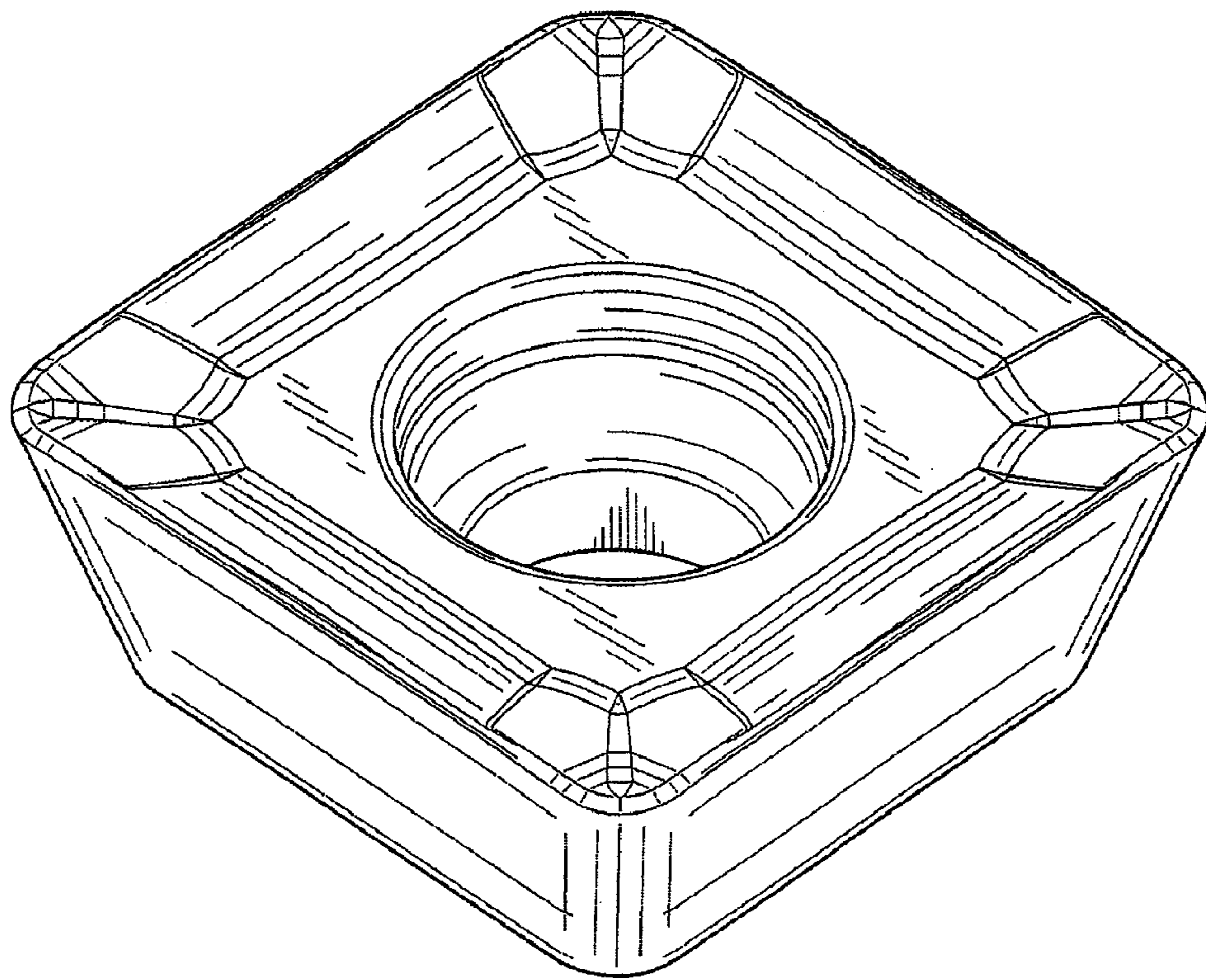


FIG. 1

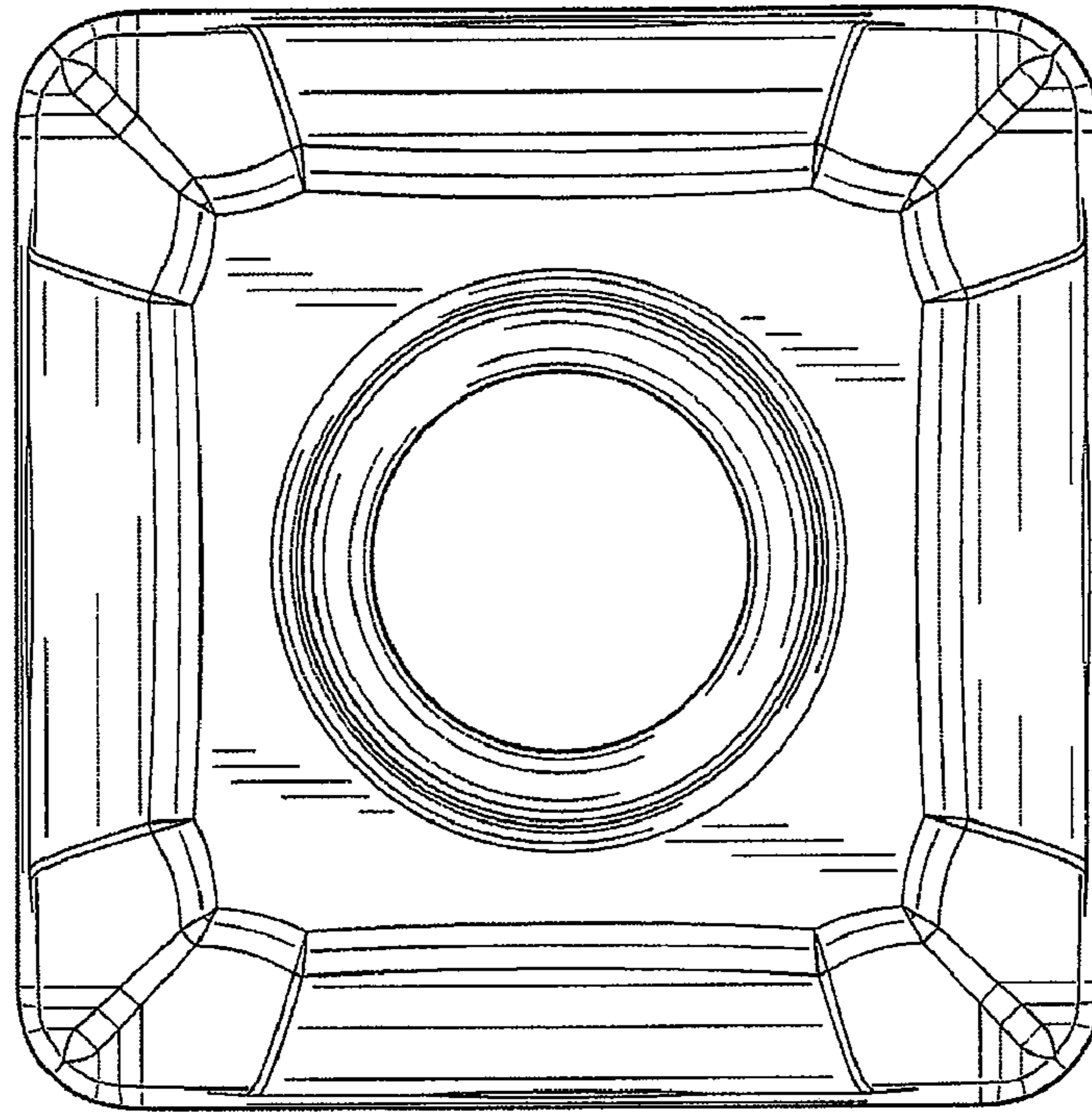


FIG. 2

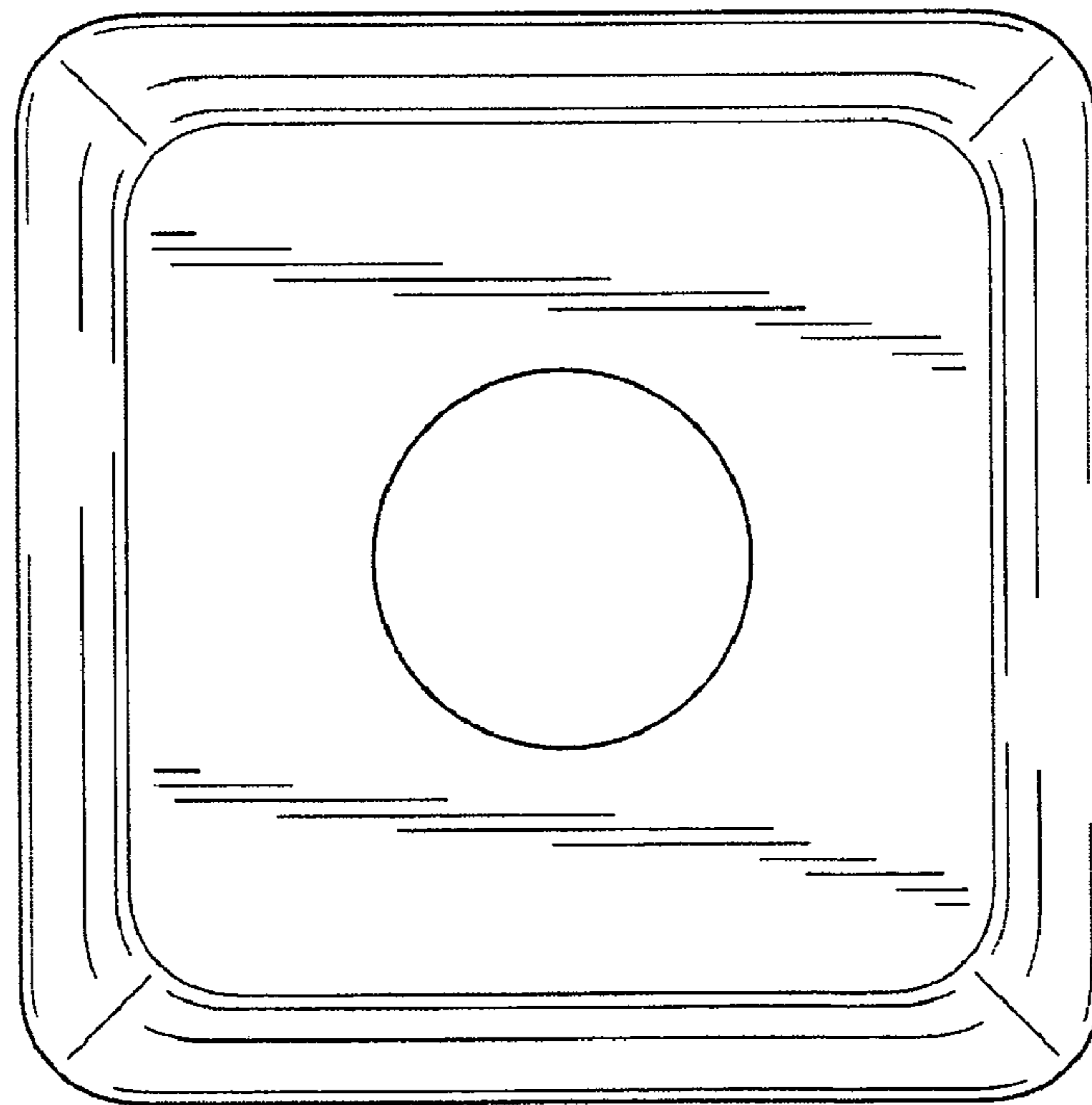


FIG. 3

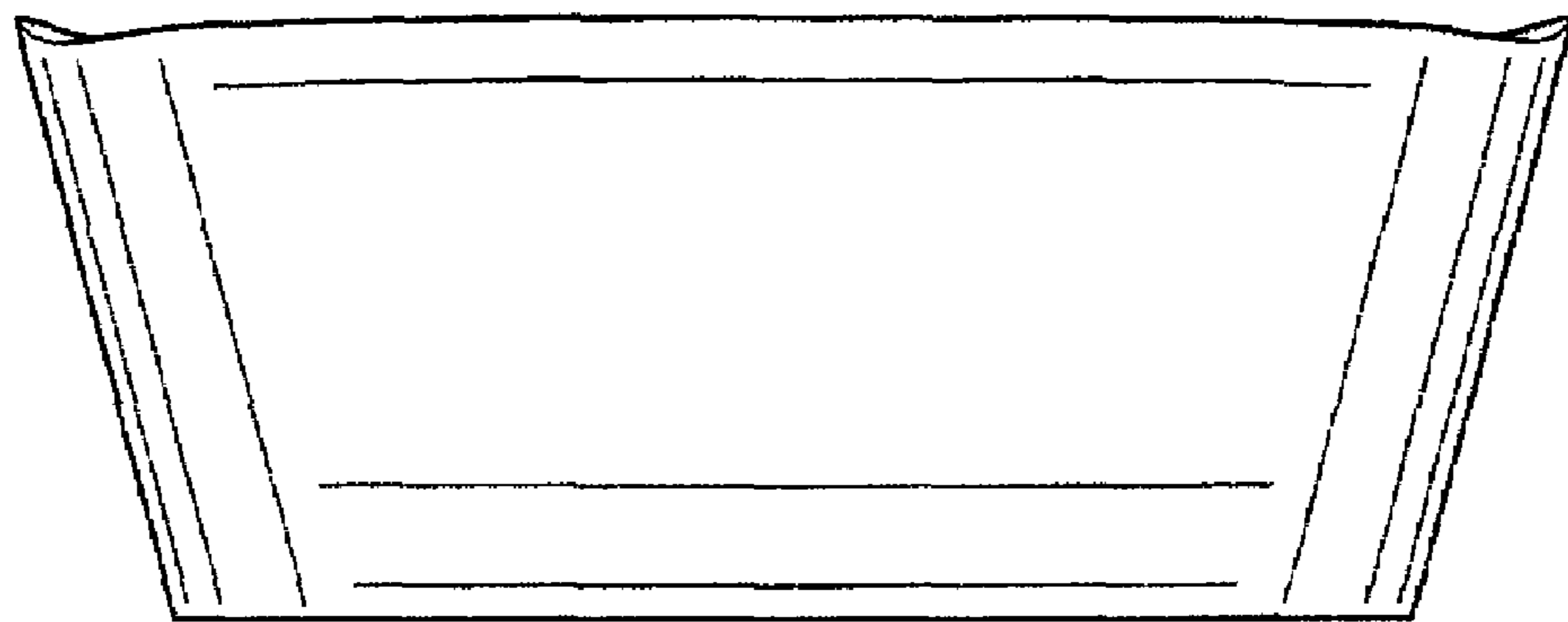


FIG. 4