



US00D555682S

(12) **United States Design Patent** (10) **Patent No.:** **US D555,682 S**
Foster (45) **Date of Patent:** **** Nov. 20, 2007**

(54) **TOOL FOR DRIVING A GROUND ROD**

(76) Inventor: **Fred L. Foster**, 30 Hamilton St.,
Milford, MA (US) 01757

(**) Term: **14 Years**

(21) Appl. No.: **29/260,600**

(22) Filed: **May 26, 2006**

(51) **LOC (8) Cl.** **15-09**

(52) **U.S. Cl.** **D15/138**

(58) **Field of Classification Search** D8/70;
D15/138, 139, 140; 52/742, 749; 81/20;
173/1, 31, 90, 91, 128, 132; 174/6; 254/30;
405/232

See application file for complete search history.

(56) **References Cited**

U.S. PATENT DOCUMENTS

2,802,340	A *	8/1957	Tallman	173/126
5,085,281	A *	2/1992	Selly	173/91
D329,795	S *	9/1992	Bird et al.	D8/70
5,188,187	A *	2/1993	Mumper	173/128
5,337,836	A *	8/1994	Williams	173/90
5,462,126	A *	10/1995	Wallace	173/53
D369,648	S *	5/1996	Fowler	D8/70
D376,084	S *	12/1996	Karvinen	D8/70
5,806,609	A *	9/1998	Stock et al.	173/205
5,890,842	A *	4/1999	Dahill	405/244
5,934,139	A *	8/1999	Tucker	72/479
6,109,365	A *	8/2000	Lamoureux et al.	173/90
6,364,031	B1 *	4/2002	Amicangelo	173/90
6,588,514	B2 *	7/2003	Kozak	173/1
2003/0070821	A1 *	4/2003	McPhillips	173/90
2004/0154812	A1 *	8/2004	McDonald	173/90

* cited by examiner

Primary Examiner—Gary D. Watson
Assistant Examiner—Patricia Palasik
(74) *Attorney, Agent, or Firm*—Edwards Angell Palmer &
Dodge, LLP; Ralph A. Loren; George N. Chaclos

(57) **CLAIM**

The ornamental design for a tool for driving a ground rod,
as shown and described.

DESCRIPTION

FIG. 1 is a bottom perspective view of the tool according to
the present disclosure.

FIG. 2 is a side view of the tool according to the present
disclosure.

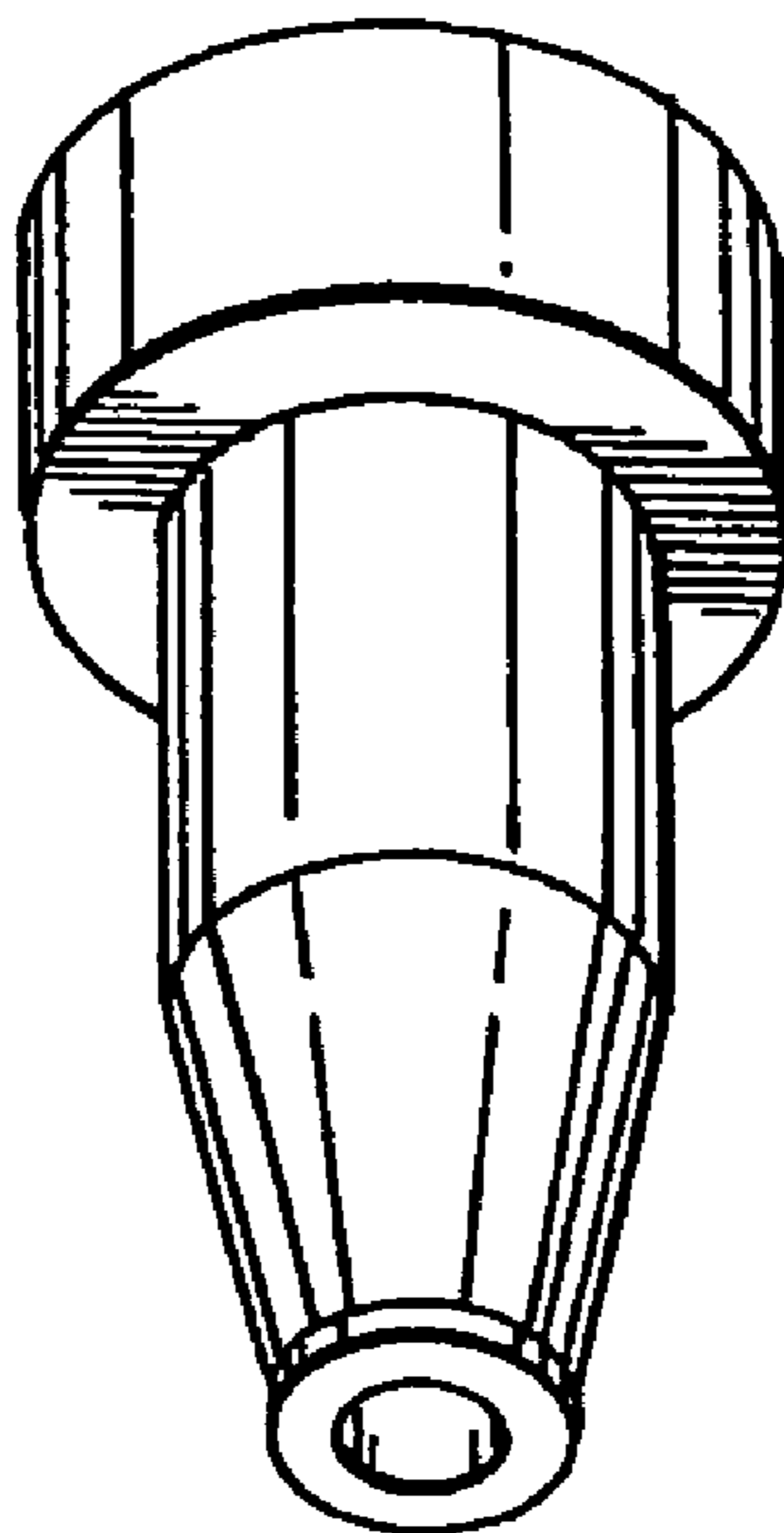
FIG. 3 is a top view of the tool according to the present
disclosure.

FIG. 4 is a bottom view of the tool according to the present
disclosure; and,

FIG. 5 is a top perspective view of the tool mounted on a
ground rod according to the present disclosure.

The broken lines shown in the drawing figures are for
illustrative purposes only and form no part of the claimed
design. The tool is for facilitating driving a ground rod. In
addition, the illustrated embodiment of the design is not
limited to the exact details shown in the drawings, since
equivalents and colorable imitations thereof will be evident
to a person of ordinary skill in the art and, thus, within the
scope of the appended claim, which is intended to cover only
the ornamental and novel elements shown in the drawings.
The invention may be practiced otherwise than as specifi-
cally shown and described herein.

1 Claim, 1 Drawing Sheet



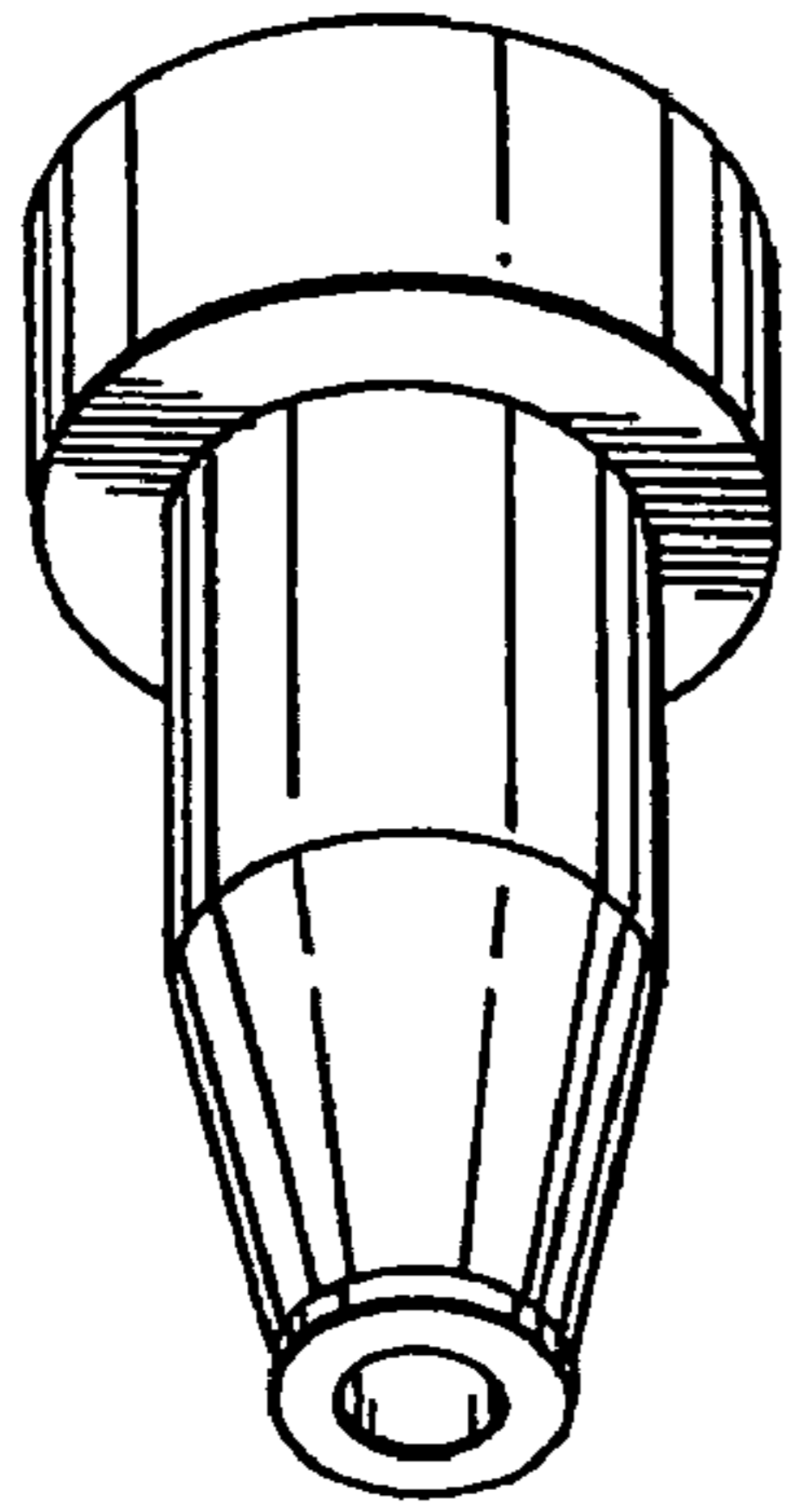


Fig. 1

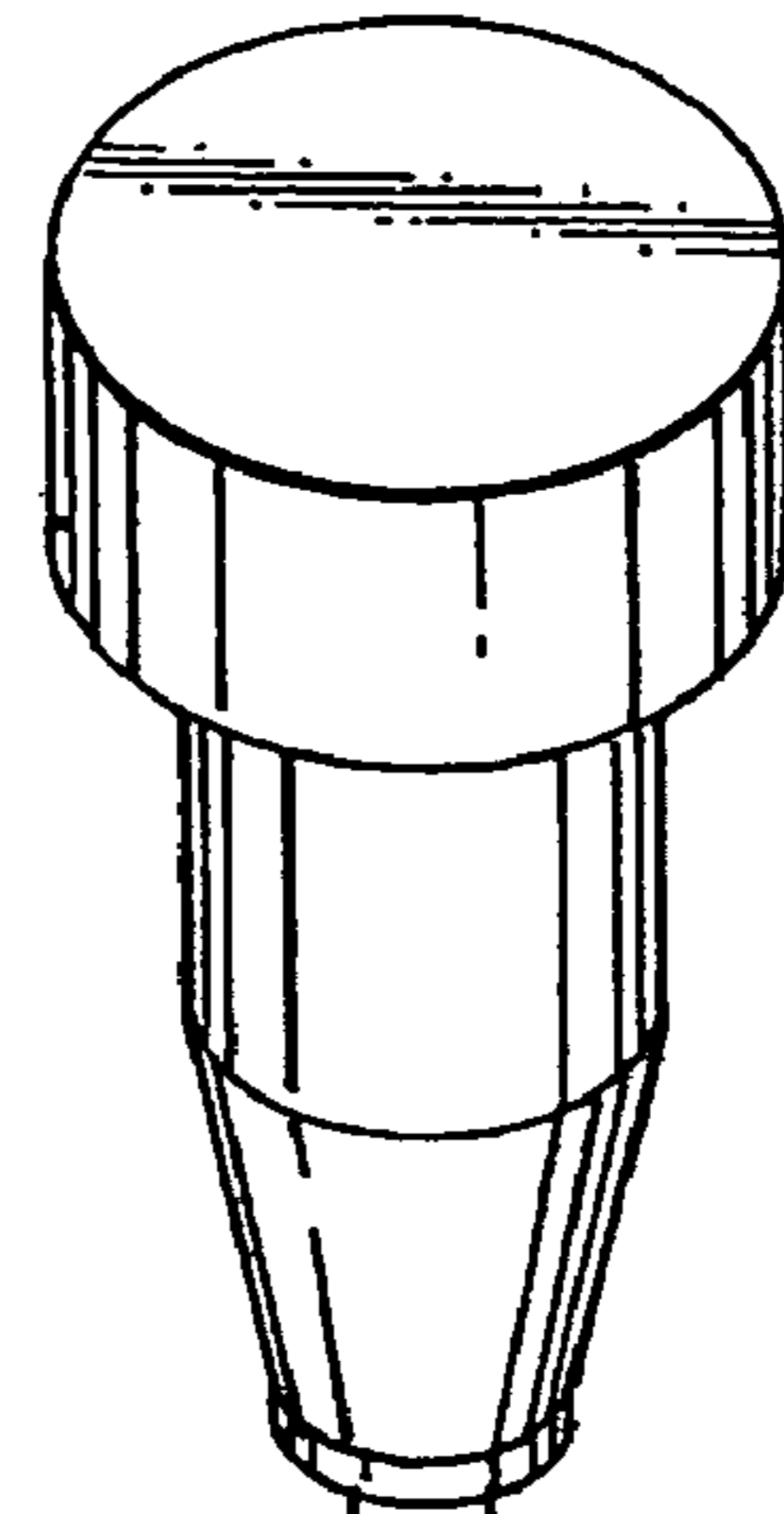


Fig. 2

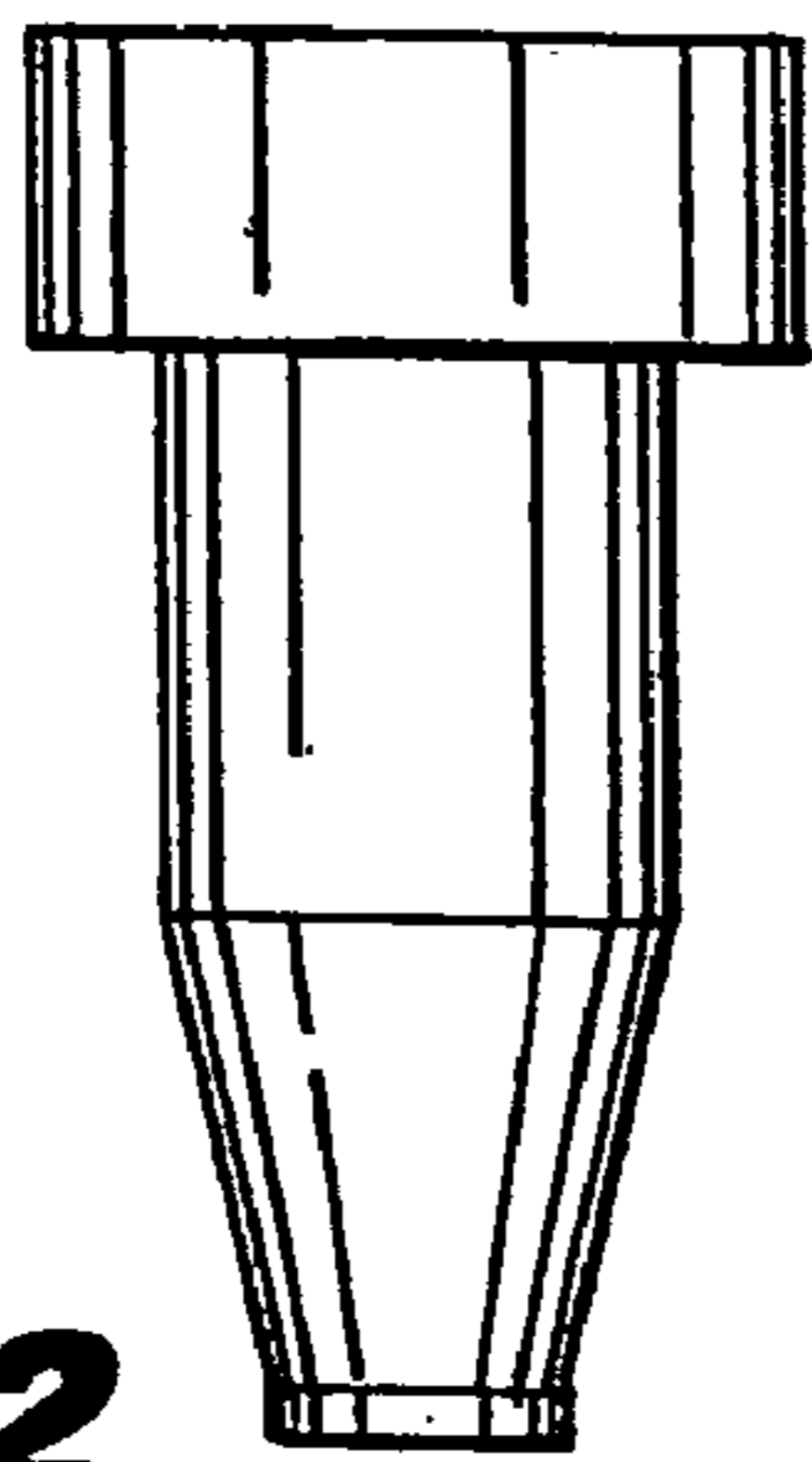


Fig. 3

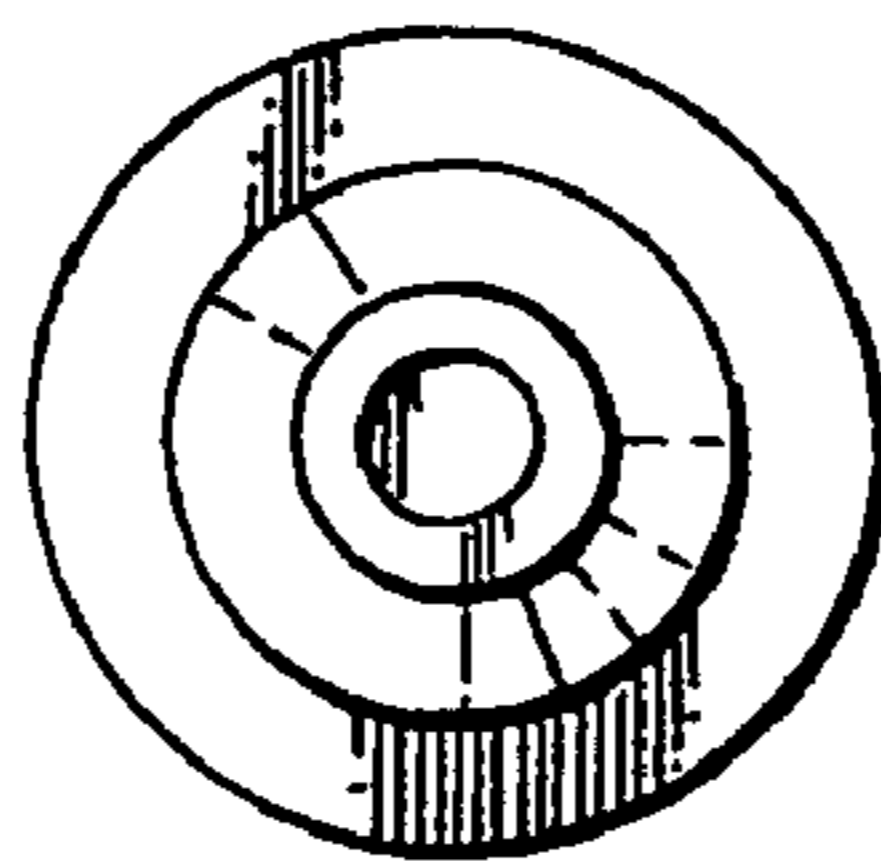
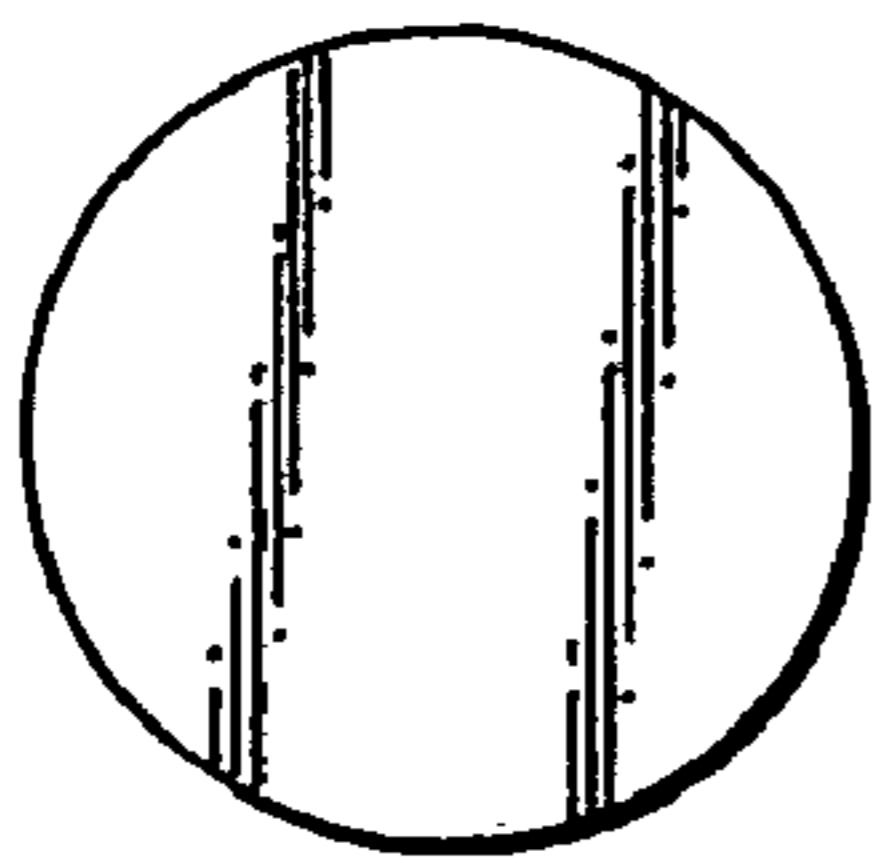


Fig. 4



Fig. 5