



US00D555678S

(12) **United States Design Patent**  
**Broersen et al.**

(10) **Patent No.:** **US D555,678 S**

(45) **Date of Patent:** **\*\* Nov. 20, 2007**

(54) **ICE RING**

(75) Inventors: **Daan Broersen**, Oudkarspel (NL);  
**Wouter Broersen**, Delft (NL)

(73) Assignee: **DACECO**, Oudkarspel (NL)

(\*\*) Term: **14 Years**

(21) Appl. No.: **29/286,199**

(22) Filed: **Apr. 25, 2007**

(30) **Foreign Application Priority Data**

Dec. 29, 2006 (EM) ..... 000644422-0001

(51) **LOC (8) Cl.** ..... **15-07**

(52) **U.S. Cl.** ..... **D15/89**

(58) **Field of Classification Search** ..... D15/79,  
D15/89; D9/434, 455, 456, 499; D7/213,  
D7/387, 601, 619.1, 620, 706; D3/201, 202;  
D12/411, 415, 419, 420; 62/56, 125, 531;  
312/223.1, 294, 352; 248/311.2

See application file for complete search history.

(56) **References Cited**

**U.S. PATENT DOCUMENTS**

D279,836 S \* 7/1985 Tanaka ..... D12/420

D291,168 S \* 8/1987 Cranford ..... D7/620  
D360,868 S \* 8/1995 Kalat ..... D12/411  
D374,150 S \* 10/1996 Lillelund et al. .... D7/387  
5,622,346 A \* 4/1997 Story, Jr. .... 248/311.2  
D419,392 S \* 1/2000 Schlebusch ..... D7/619.1  
D516,593 S \* 3/2006 Thomas ..... D15/89  
D526,170 S \* 8/2006 Gugni ..... D7/706

\* cited by examiner

*Primary Examiner*—Stella M. Reid

*Assistant Examiner*—Shanda C. Hill

(74) *Attorney, Agent, or Firm*—Abelman, Frayne & Schwab

(57) **CLAIM**

The ornamental design for an ice ring, as shown and described.

**DESCRIPTION**

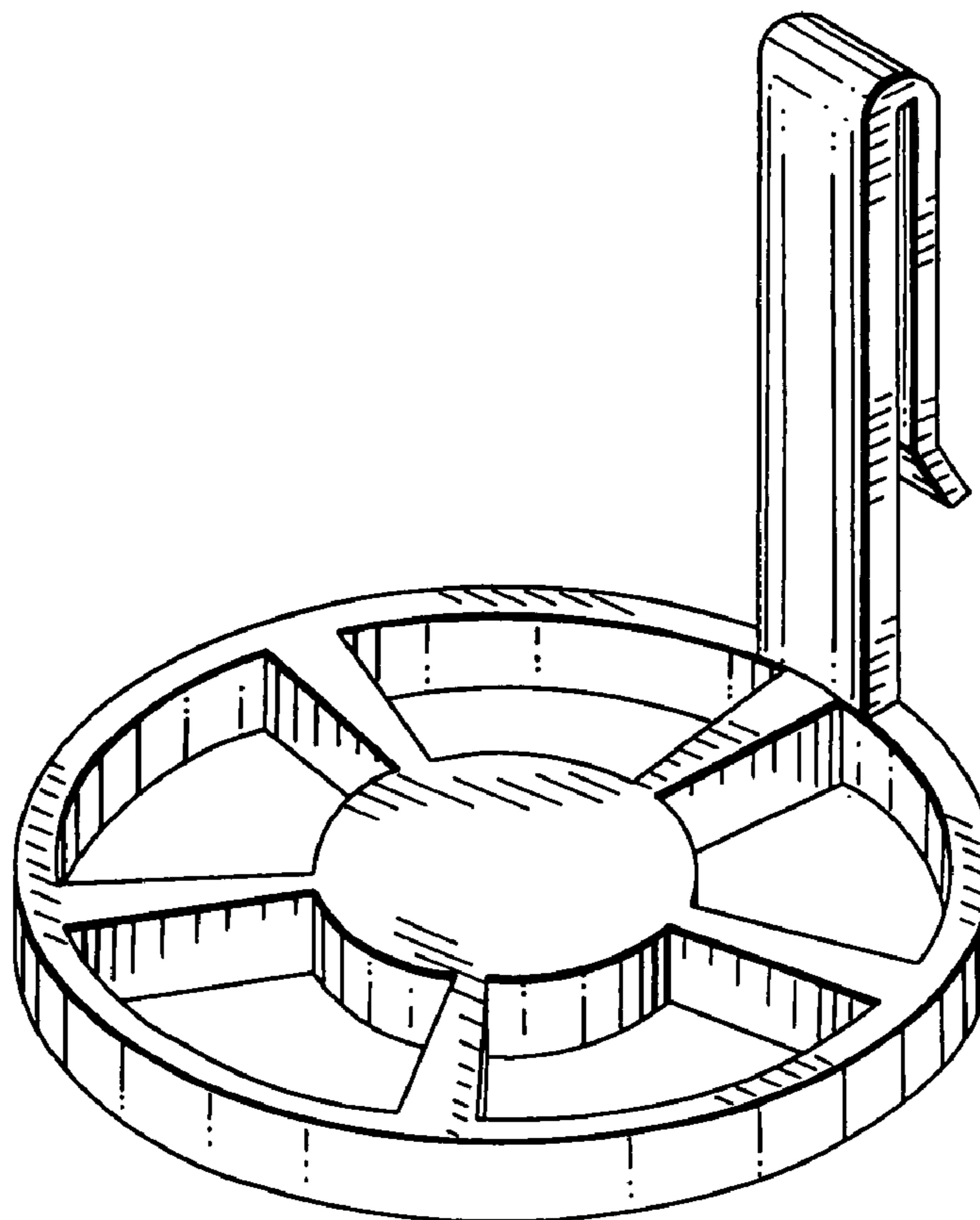
FIG. 1 is a front, top perspective view of an ice ring showing our new design;

FIG. 2 is a front elevation view thereof;

FIG. 3 is a top plan view thereof; and,

FIG. 4 is a right side elevation view, the left side being a mirror image thereof.

**1 Claim, 2 Drawing Sheets**



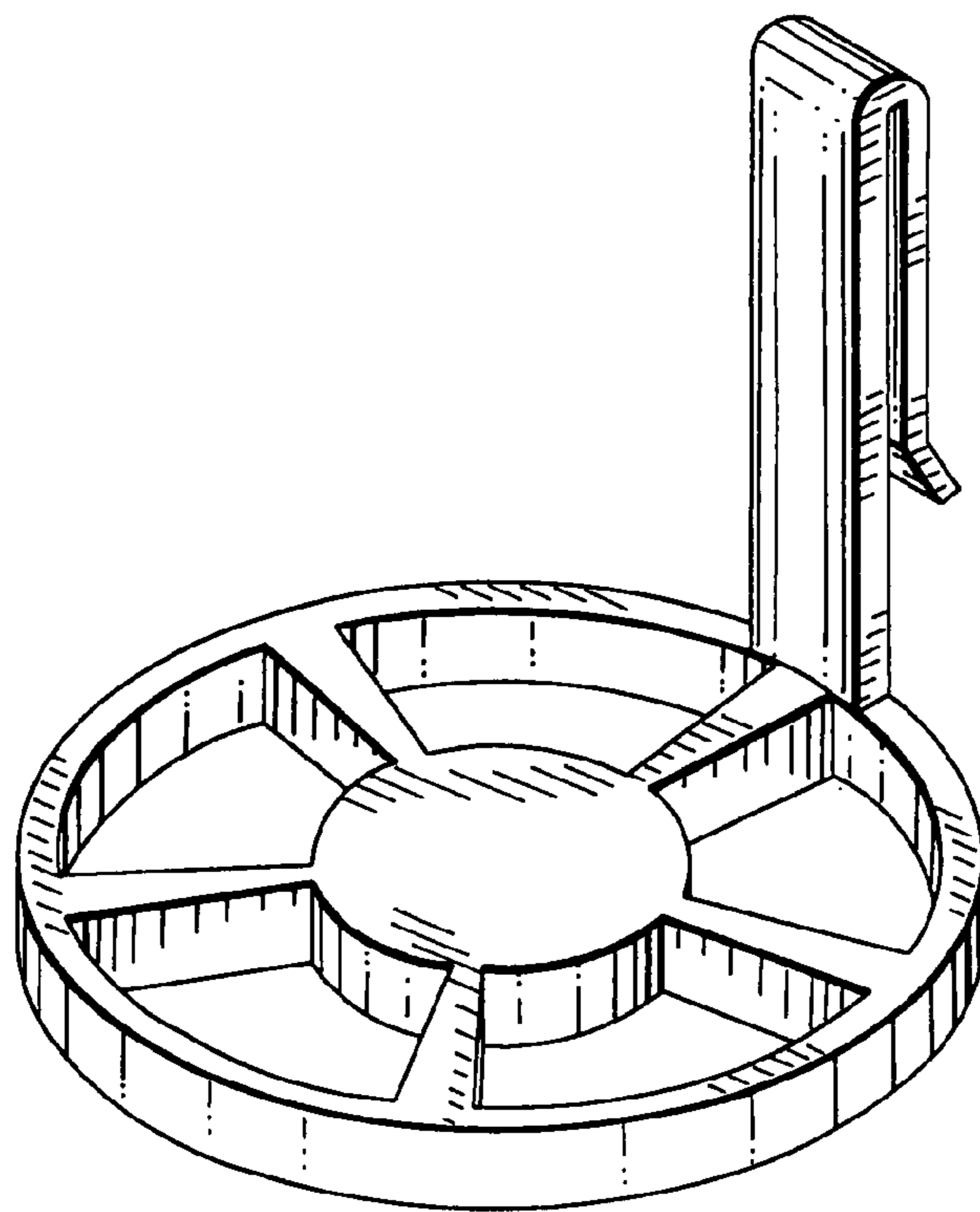


FIG. 1

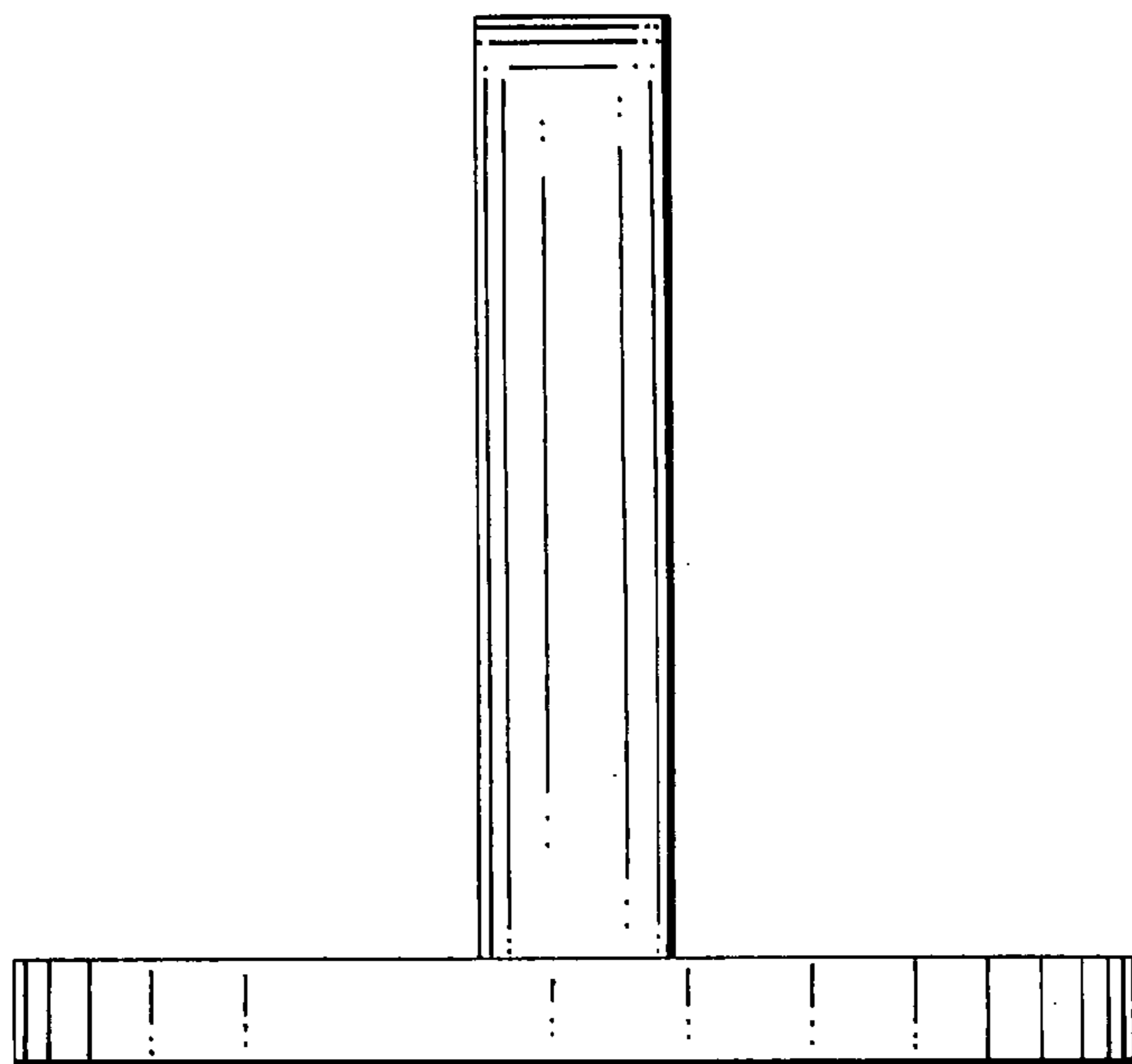


FIG. 2

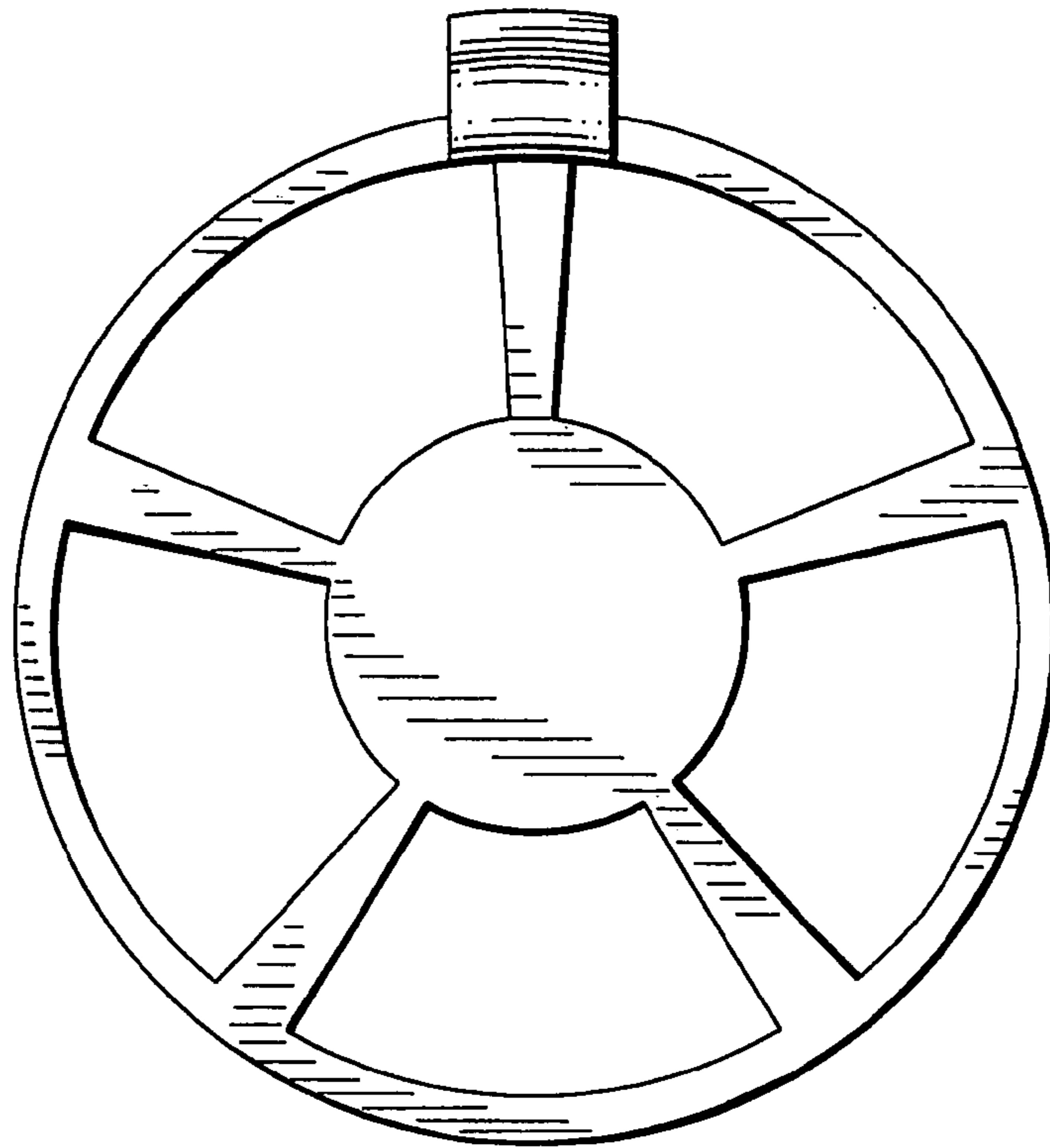


FIG. 3

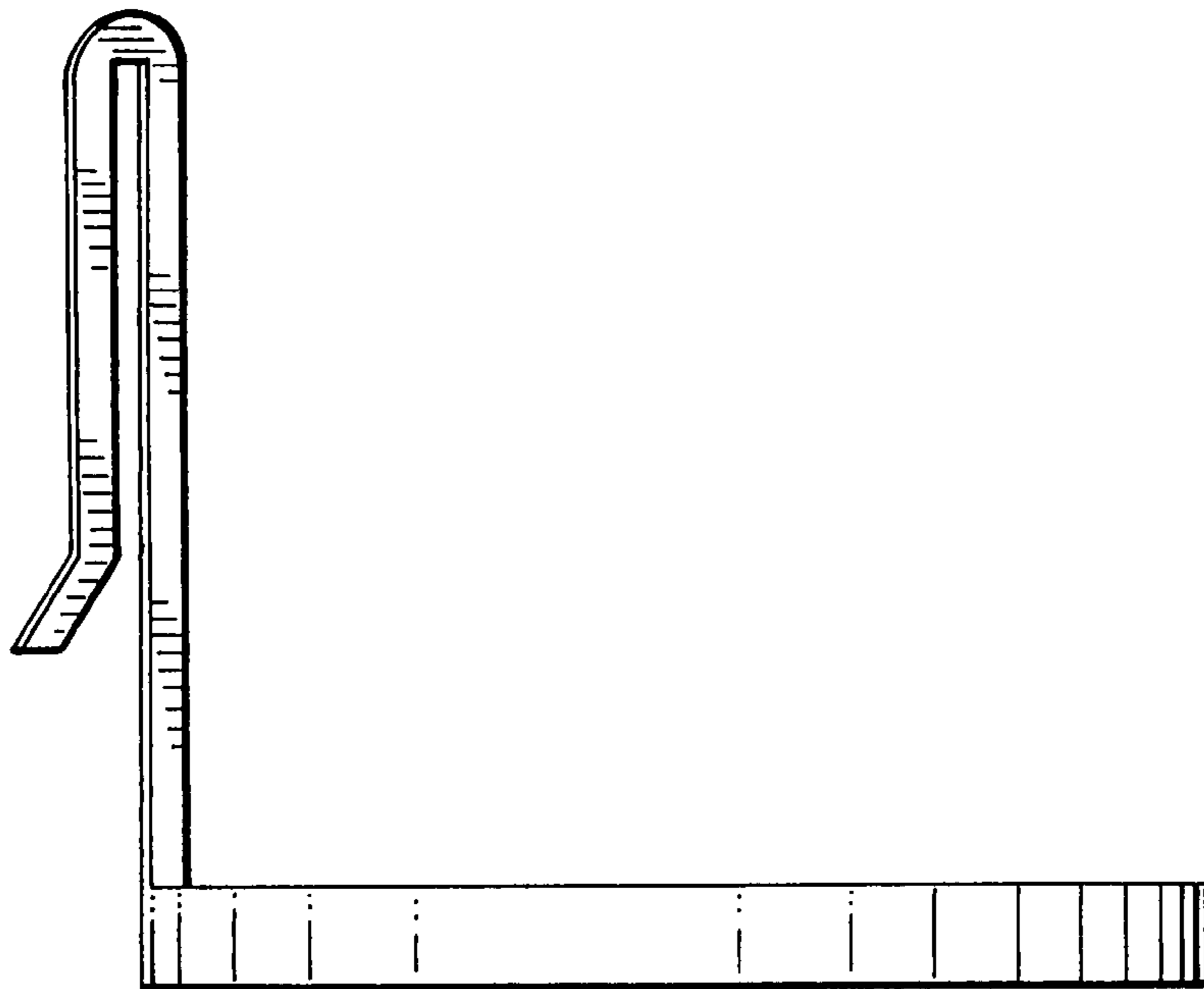


FIG. 4