



US00D555675S

(12) **United States Design Patent**  
**Matsubara et al.**

(10) **Patent No.:** **US D555,675 S**

(45) **Date of Patent:** **\*\* Nov. 20, 2007**

(54) **BACKHOE**

(75) Inventors: **Yoshitaka Matsubara**, Osaka (JP);  
**Keiichi Hara**, Sakai (JP); **Junta**  
**Kuwae**, Sakai (JP)

(73) Assignee: **Kubota Corporation**, Osaka (JP)

(\*\*) Term: **14 Years**

(21) Appl. No.: **29/257,697**

(22) Filed: **Apr. 7, 2006**

(30) **Foreign Application Priority Data**

Mar. 24, 2006 (JP) ..... 2006-007408

(51) **LOC (8) Cl.** ..... **12-09**

(52) **U.S. Cl.** ..... **D15/25**

(58) **Field of Classification Search** ..... D15/10,  
D15/22-26, 28, 30; 180/89.1, 89.12, 89.13,  
180/900, 9.1, 9.2, 9.62, 14 R; 37/379; 414/694,  
414/699, 722-724, 660, 685, 698, 719, 743  
See application file for complete search history.

(56) **References Cited**

**U.S. PATENT DOCUMENTS**

D273,384 S \* 4/1984 Nasu et al. .... D15/24  
D406,152 S \* 2/1999 Miyaoka et al. .... D15/25  
D409,629 S \* 5/1999 Miyaoka et al. .... D15/25  
D431,253 S \* 9/2000 Marchetta et al. .... D15/25  
6,155,632 A \* 12/2000 Fujimoto ..... 296/190.08  
D450,717 S \* 11/2001 Muraro ..... D15/25  
D458,941 S \* 6/2002 Miyanishi et al. .... D15/25

D460,462 S \* 7/2002 Miyanishi et al. .... D15/25  
D460,974 S \* 7/2002 Murakami et al. .... D15/25  
D462,973 S \* 9/2002 Tamaru et al. .... D15/25  
D463,455 S \* 9/2002 Yanagida et al. .... D15/25  
6,502,896 B1 \* 1/2003 Nakata et al. .... 296/190.05

**FOREIGN PATENT DOCUMENTS**

JP D 860024 1/1993  
JP D 918192 1/1995  
JP D 1004057 2/1998  
JP D 1262513 2/2006

\* cited by examiner

*Primary Examiner*—Stella Reid

*Assistant Examiner*—Mark Goodwin

(74) *Attorney, Agent, or Firm*—The Webb Law Firm

(57) **CLAIM**

The ornamental design for a backhoe, as shown and described.

**DESCRIPTION**

FIG. 1 is a left side view of the backhoe showing our new design;

FIG. 2 is a right side view thereof;

FIG. 3 is an enlarged rear view thereof;

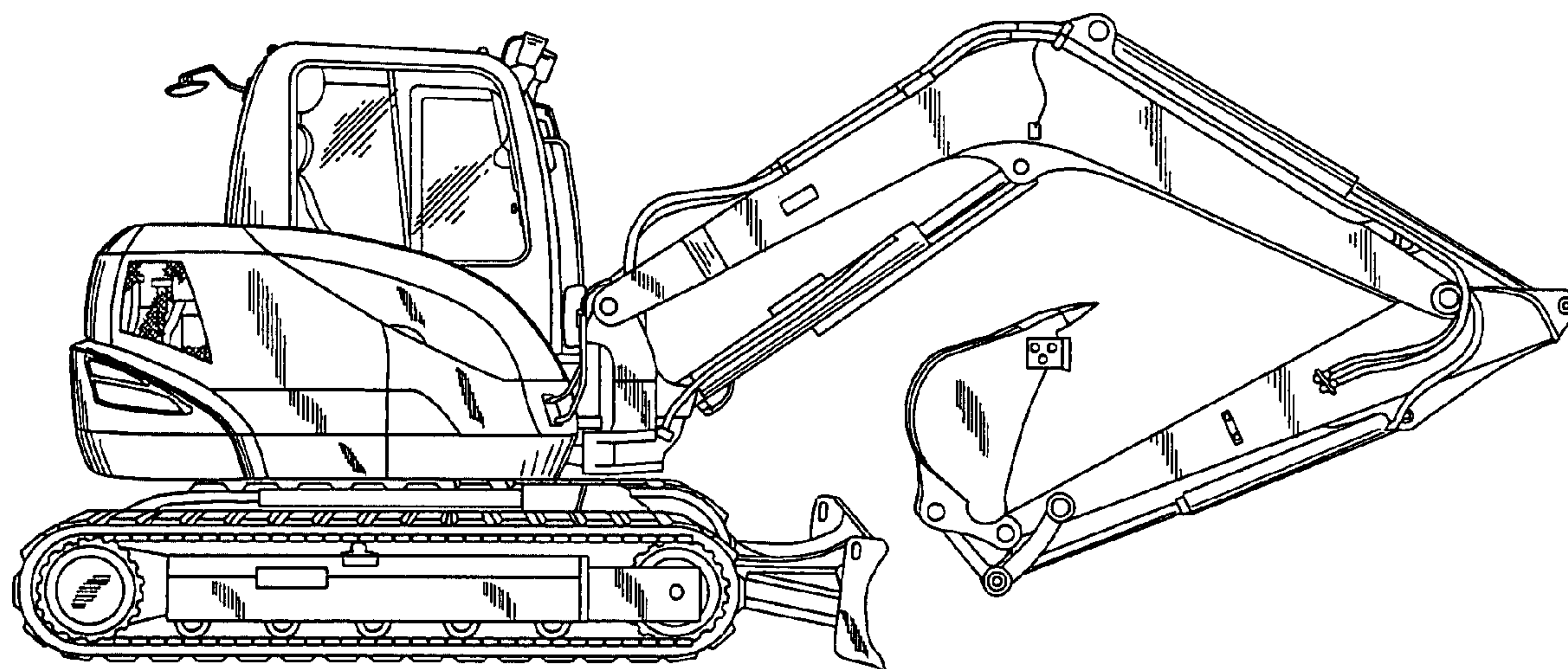
FIG. 4 is an enlarged front view thereof;

FIG. 5 is a top plan view thereof;

FIG. 6 is left front perspective view thereof; and,

FIG. 7 is a left rear perspective view thereof.

**1 Claim, 7 Drawing Sheets**



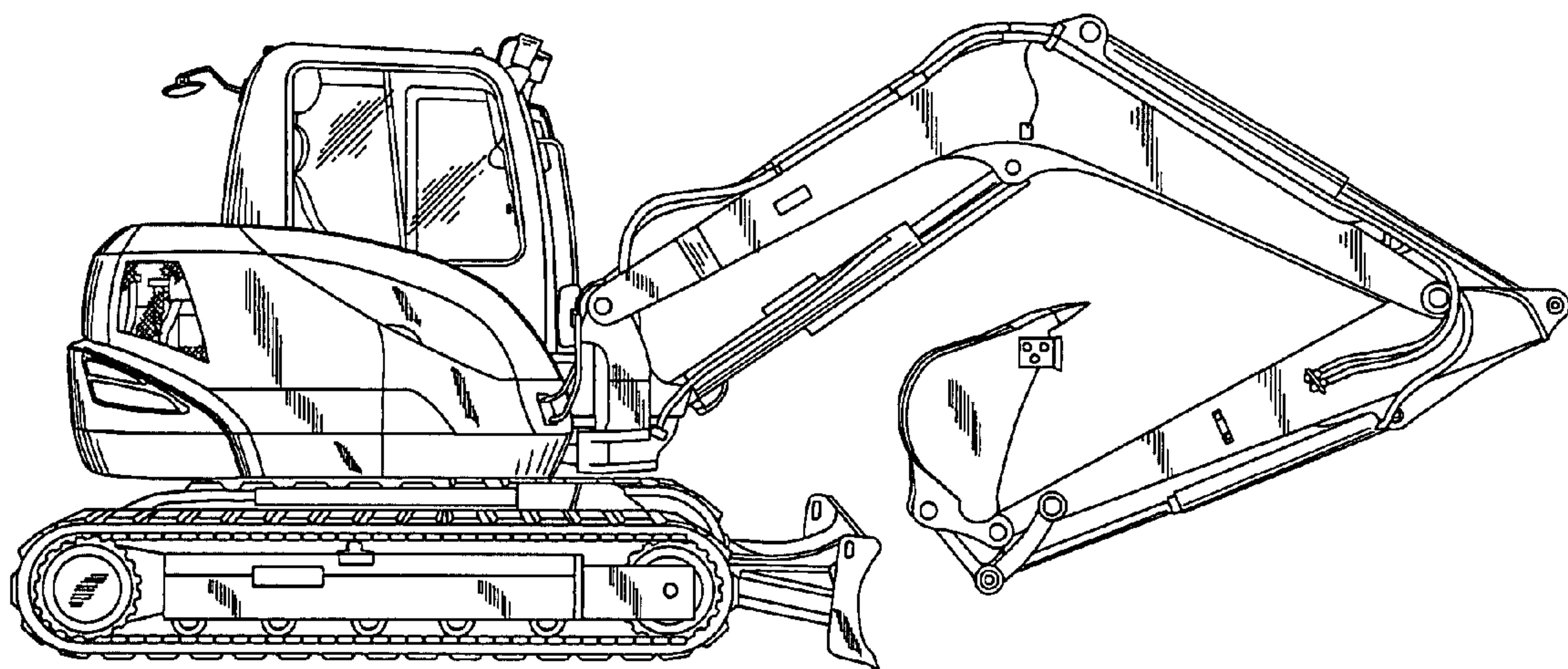


FIG. 1

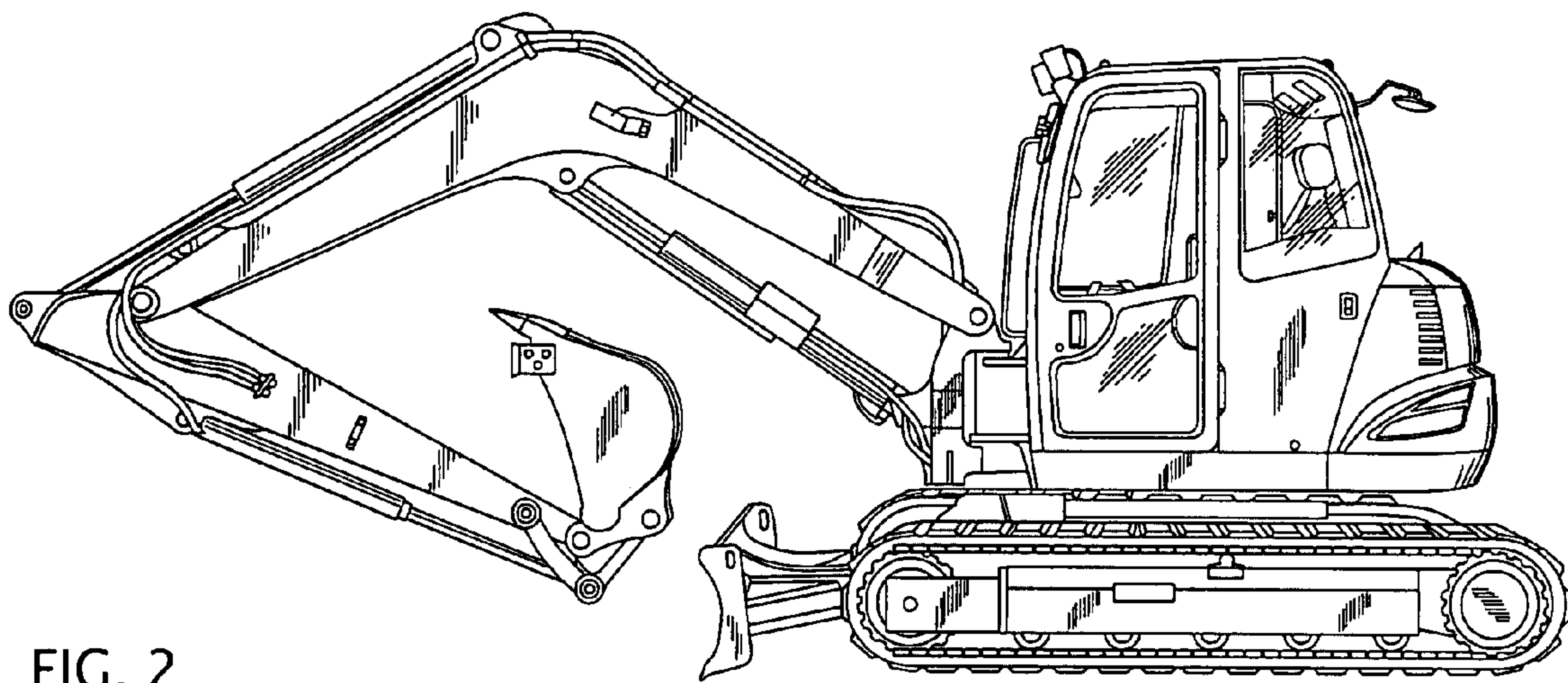


FIG. 2

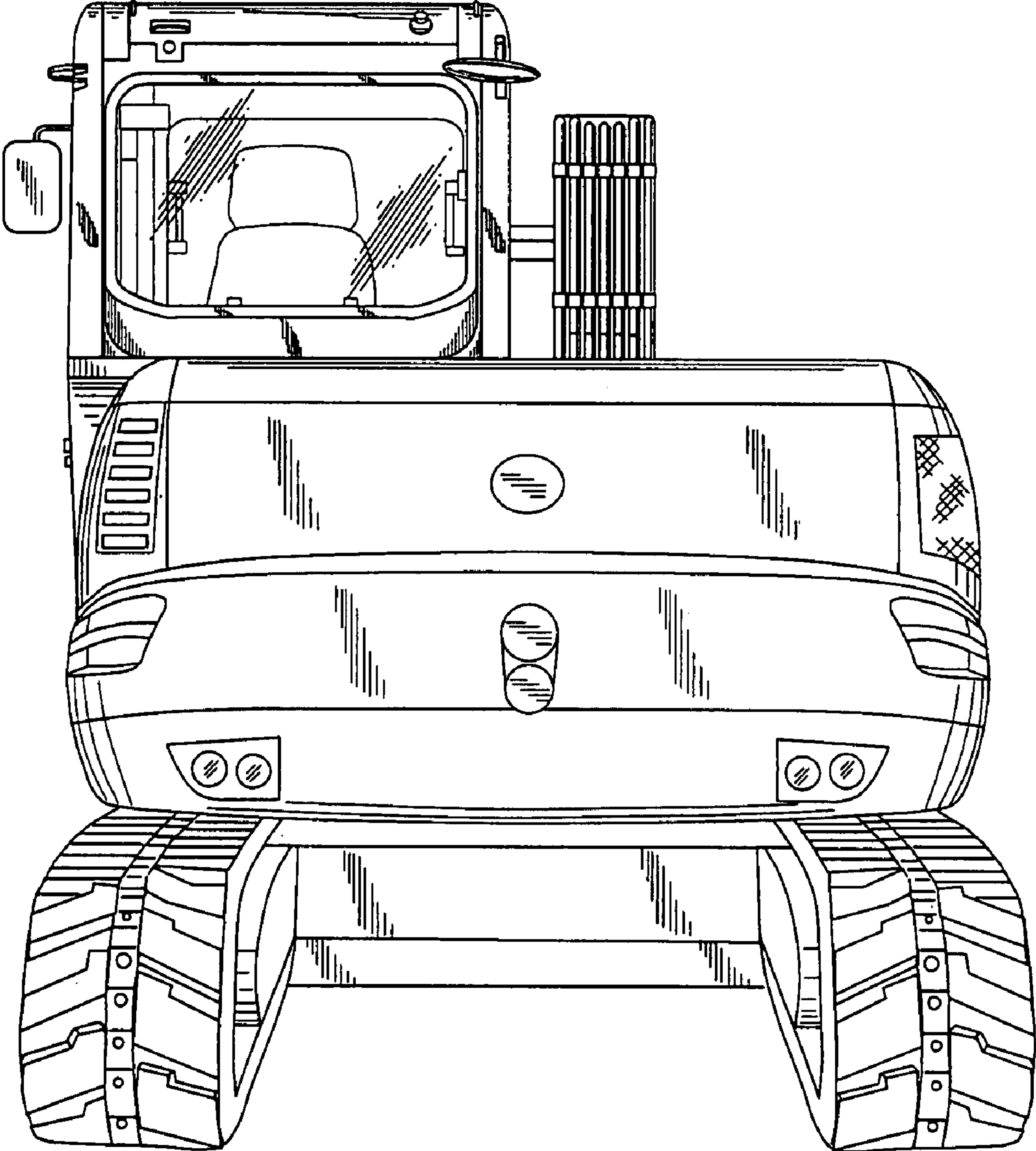


FIG. 3



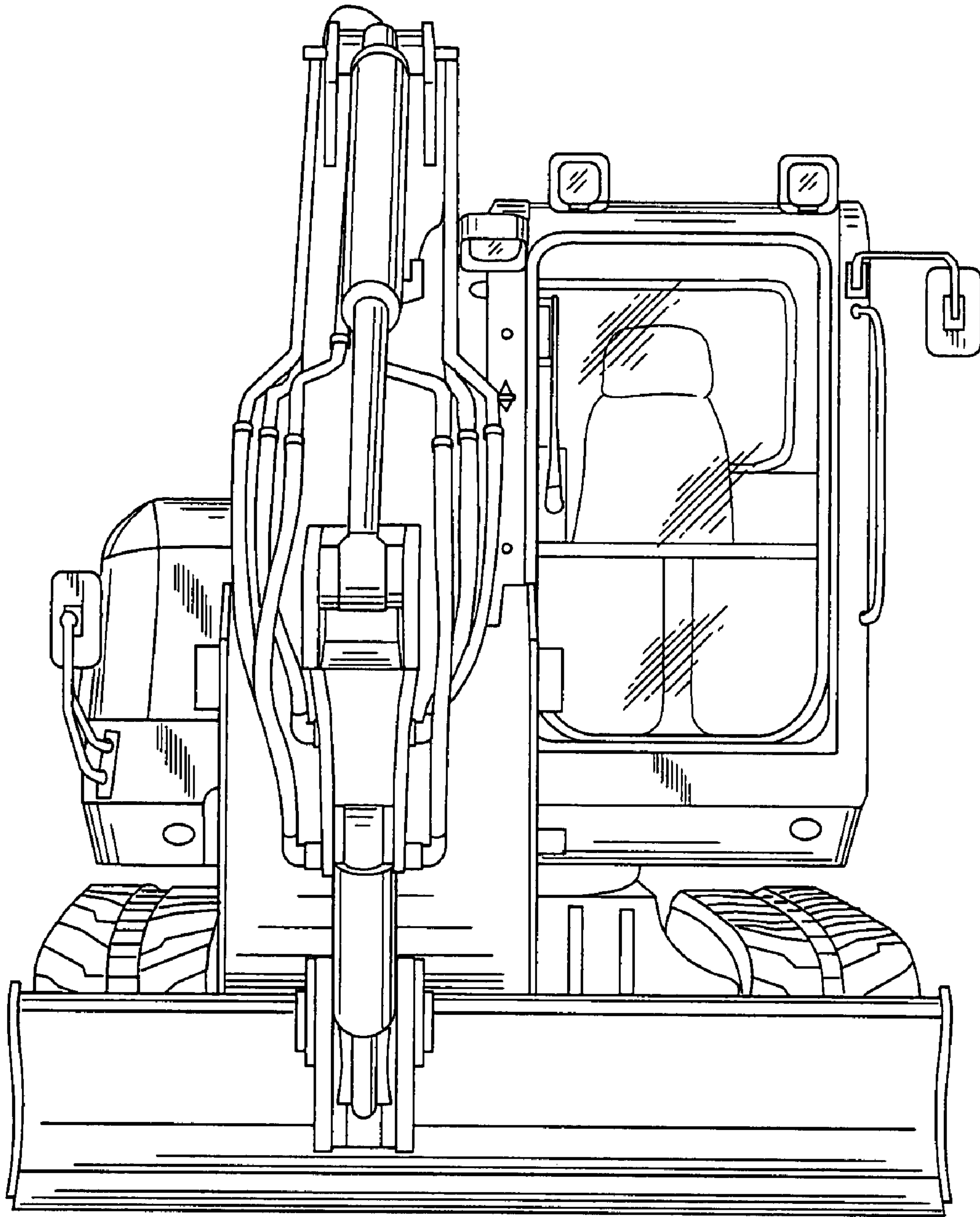


FIG. 4

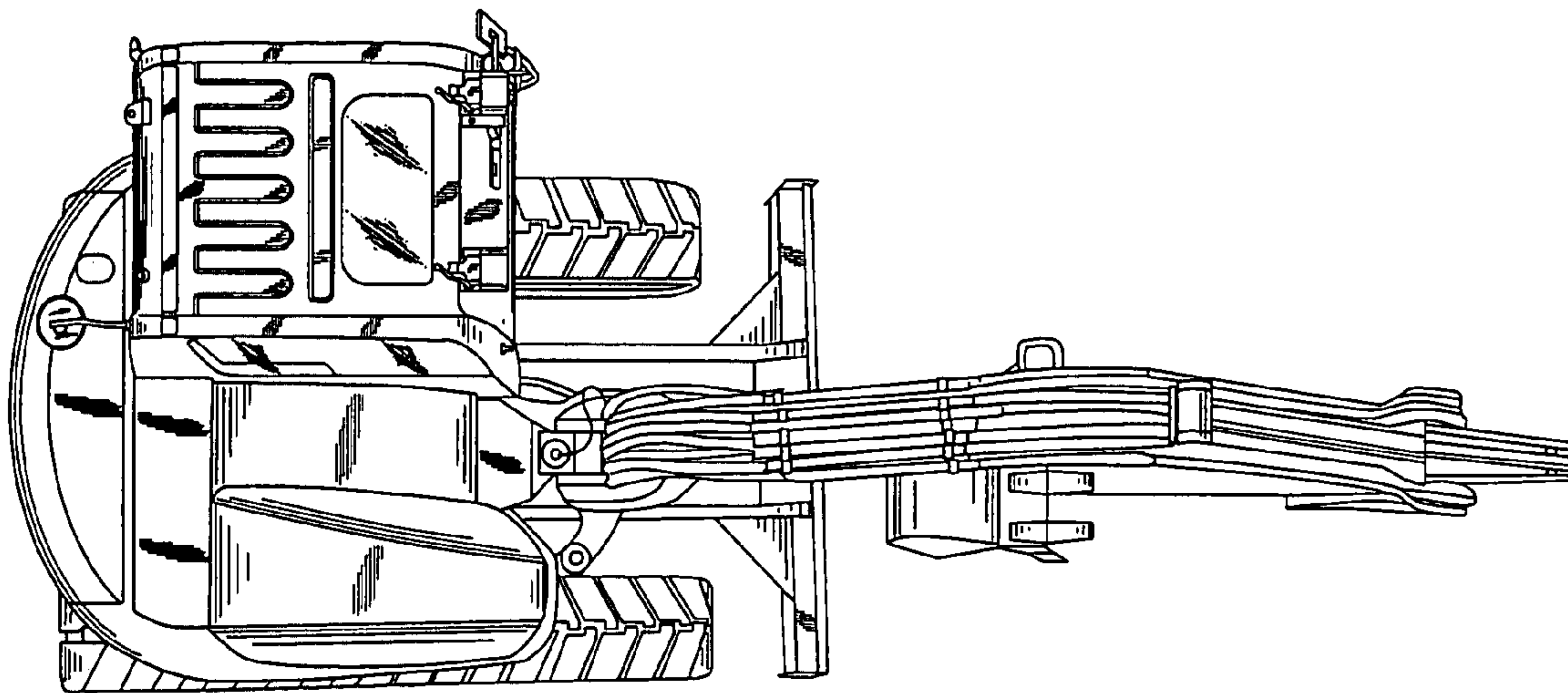


FIG. 5

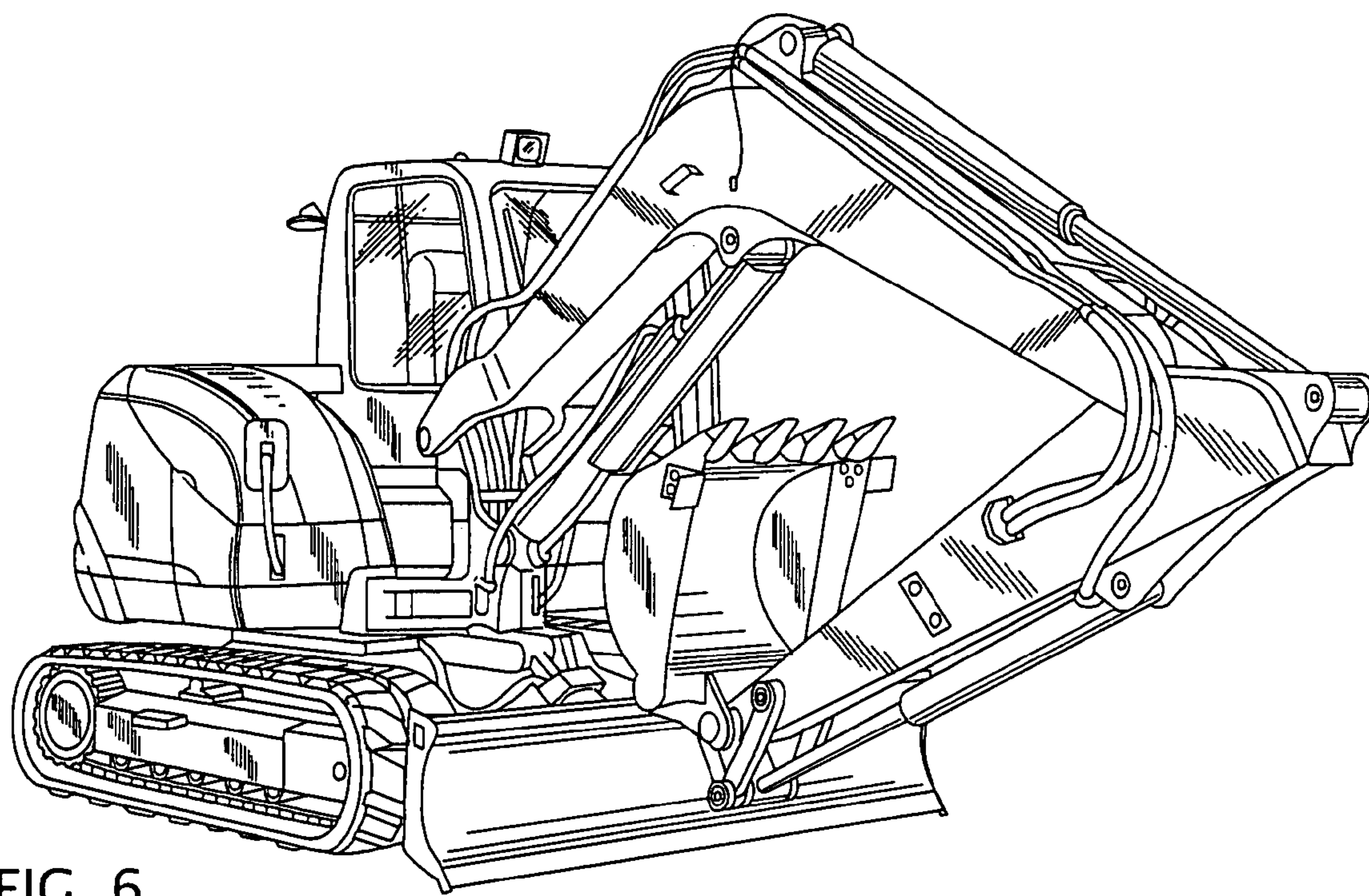


FIG. 6

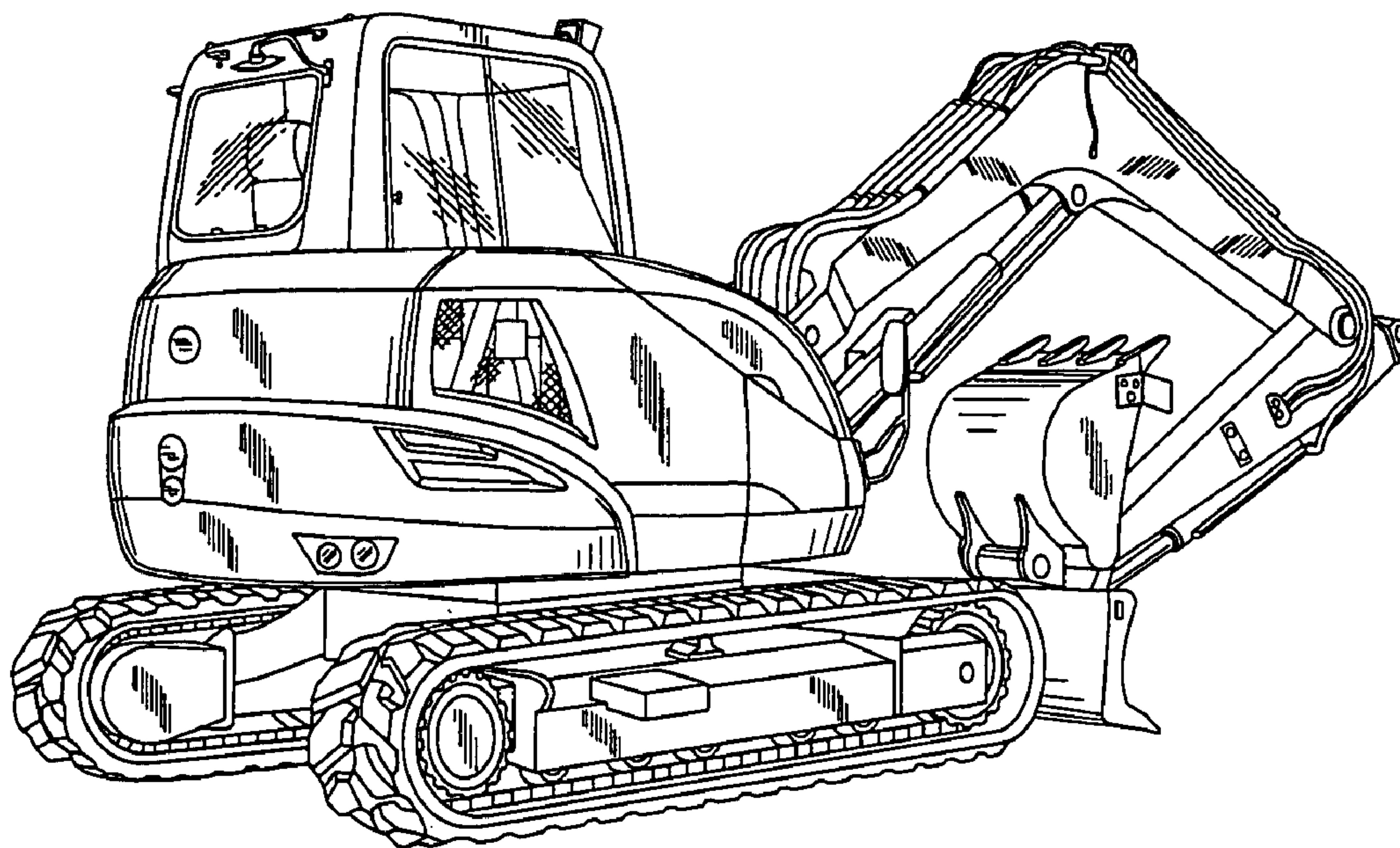


FIG. 7