



US00D555673S

(12) **United States Design Patent**  
**Hendron et al.**

(10) **Patent No.:** **US D555,673 S**

(45) **Date of Patent:** **\*\* Nov. 20, 2007**

(54) **COMPACT ARTICULATE WORK VEHICLE**

2005/0036876 A1\* 2/2005 Walto et al. .... 414/724

(75) Inventors: **Scott S Hendron**, Dubuque, IA (US);  
**Scott Bender**, Waverly, IA (US)

(73) Assignee: **Deere & Company**, Moline, IL (US)

(\*\*) Term: **14 Years**

(21) Appl. No.: **29/262,441**

(22) Filed: **Jun. 30, 2006**

(51) **LOC (8) Cl.** ..... **15-03**

(52) **U.S. Cl.** ..... **D15/22**

(58) **Field of Classification Search** ..... D15/10,  
D15/22-26; 180/89.1, 89.12; 37/421, 422;  
414/680, 685

See application file for complete search history.

(56) **References Cited**

**U.S. PATENT DOCUMENTS**

D205,485 S *	8/1966	Juhl et al. ....	D15/25
D217,661 S *	5/1970	McCawley .....	D15/25
D224,588 S *	8/1972	Bauer .....	D15/23
3,828,952 A *	8/1974	Klee .....	414/697
3,963,131 A *	6/1976	Dimmer .....	414/697
D294,032 S *	2/1988	Whiffin .....	D15/25
D359,497 S *	6/1995	Rayner .....	D15/25
D431,574 S *	10/2000	Porter .....	D15/25
6,397,967 B1 *	6/2002	McIlwraith .....	180/308
D463,454 S *	9/2002	Miller et al. ....	D15/22
D466,910 S *	12/2002	Miller et al. ....	D15/22
D470,512 S *	2/2003	Miller et al. ....	D15/22
D470,513 S *	2/2003	Miller et al. ....	D15/22
D479,535 S *	9/2003	Lange .....	D15/25
D482,701 S *	11/2003	Bares et al. ....	D15/24
6,709,223 B2 *	3/2004	Walto et al. ....	414/685
2003/0108414 A1 *	6/2003	Walto et al. ....	414/685

**OTHER PUBLICATIONS**

Graphic depiction of Toro Dingo 300 Series Model 22312-Dingo 323.

Graphic depiction of Vermeer Compact Skid Steers Model S600. Graphic depiction of Tiger Equipment "Cheetah SS Mini Skid Steer Loader".

Graphic depiction of Ingersoll Rand "The Bobcat MT55".

Graphic depiction of Gehl "Advantage(TM) Compact Utility Loader".

Graphic depiction of Concord Equipment "The Groundhog".

\* cited by examiner

*Primary Examiner*—Stella Reid

*Assistant Examiner*—Mark Goodwin

(74) *Attorney, Agent, or Firm*—Baker & Daniels LLP

(57) **CLAIM**

The ornamental design for a compact articulate work vehicle, as shown and described.

**DESCRIPTION**

FIG. 1 is a side view of the compact articulate work vehicle showing our new design.

FIG. 2 is a top view thereof.

FIG. 3 is a bottom view thereof.

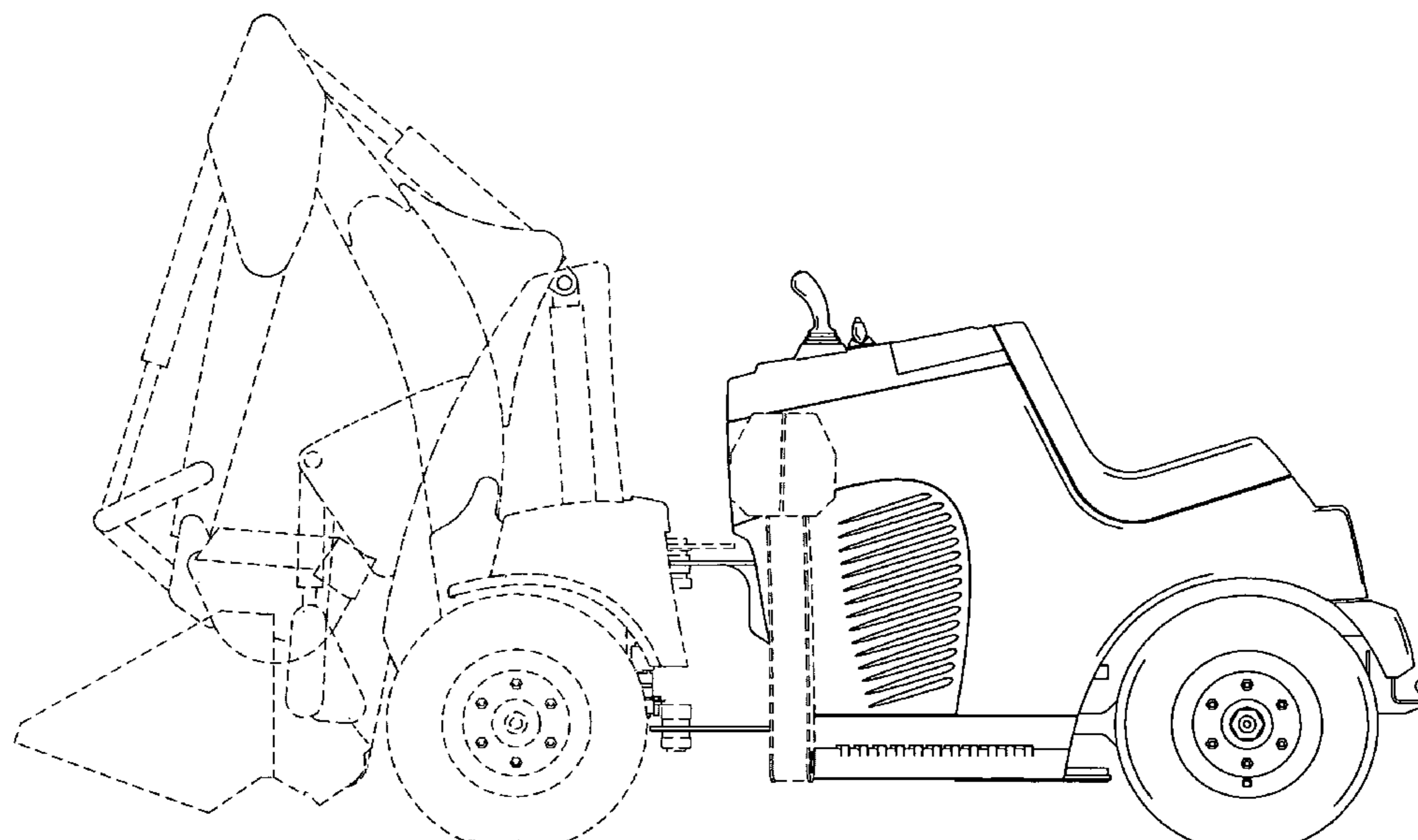
FIG. 4 is an opposite side view thereof.

FIG. 5 is a front view thereof; and,

FIG. 6 is a rear view thereof.

The broken line showing in FIGS. 1-6 is included for the purpose of illustrating environmental structure and forms no part of the claimed design.

**1 Claim, 5 Drawing Sheets**



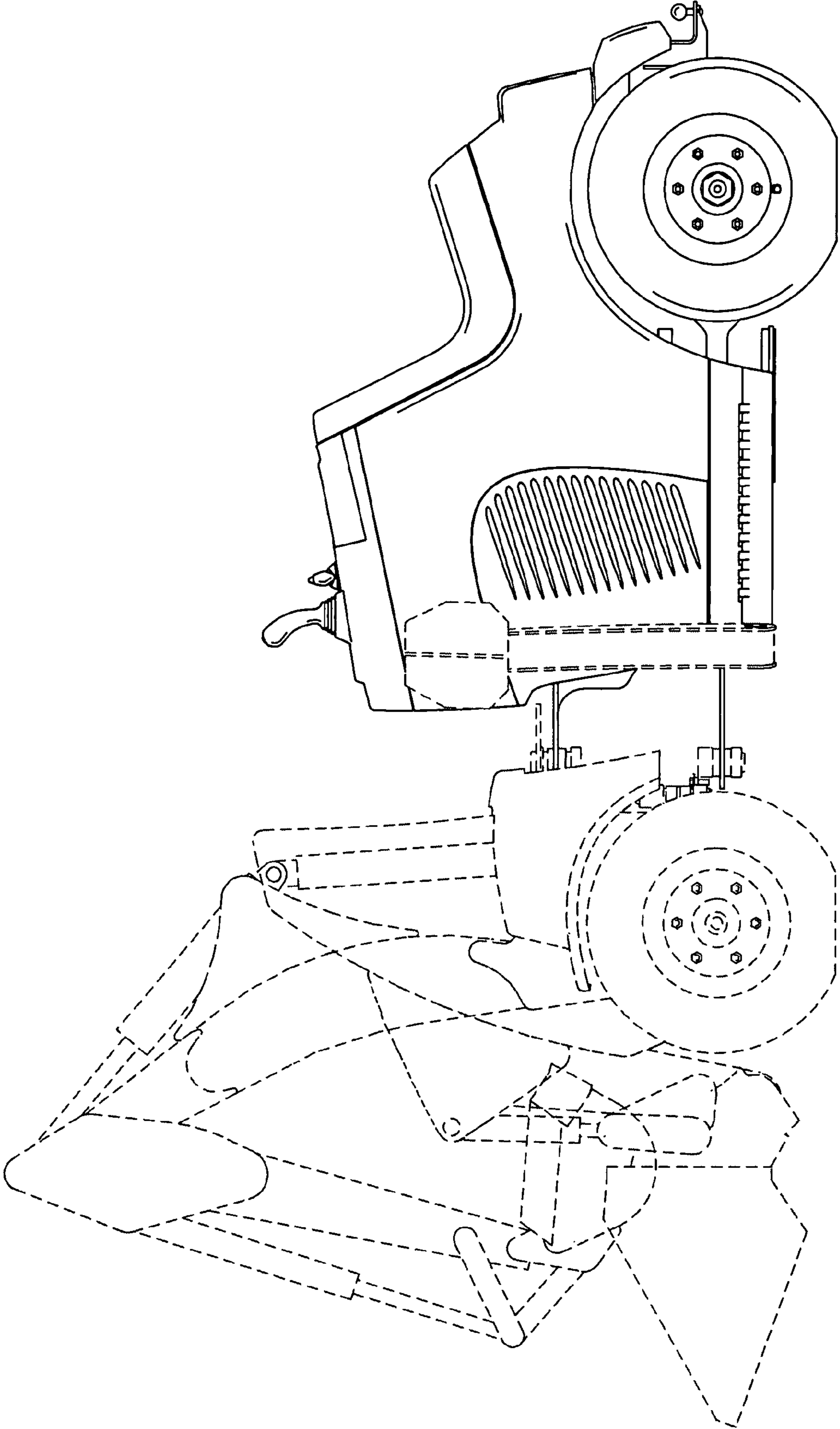


FIG. 1

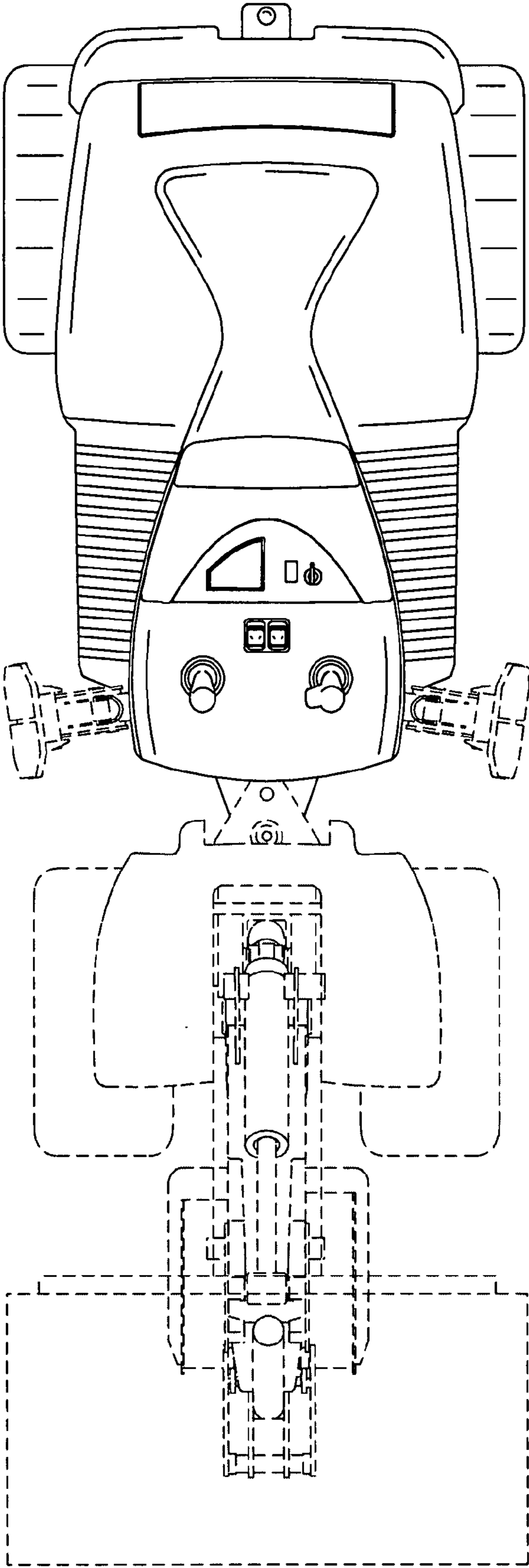


FIG. 2

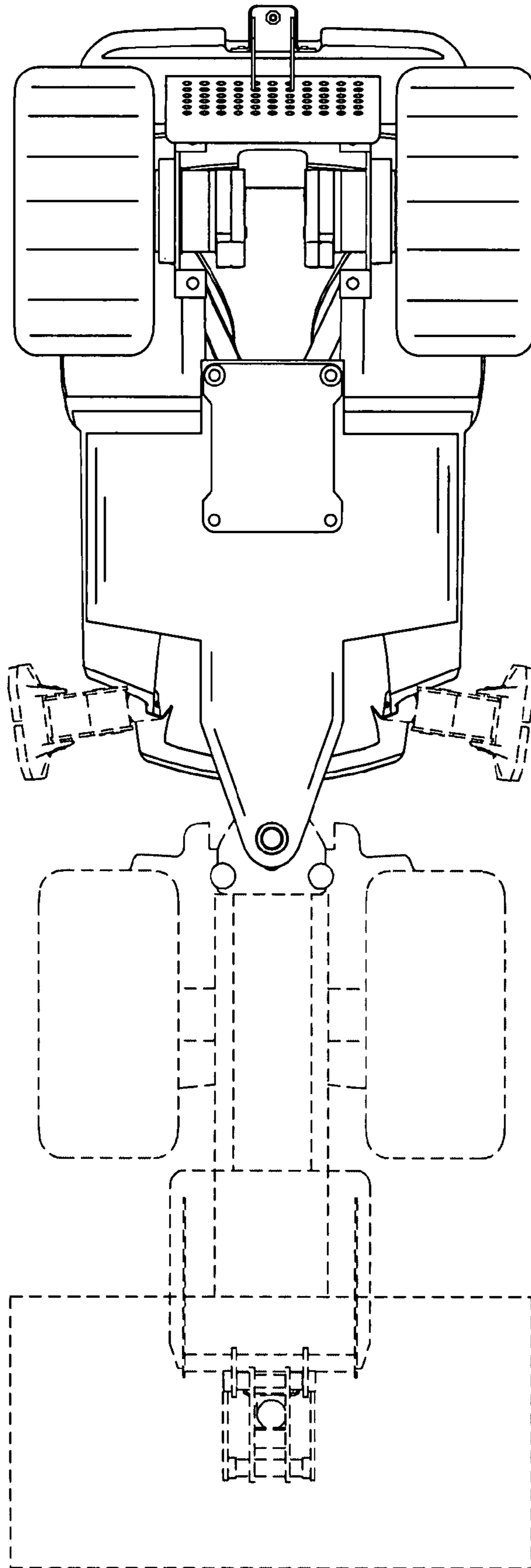


FIG. 3

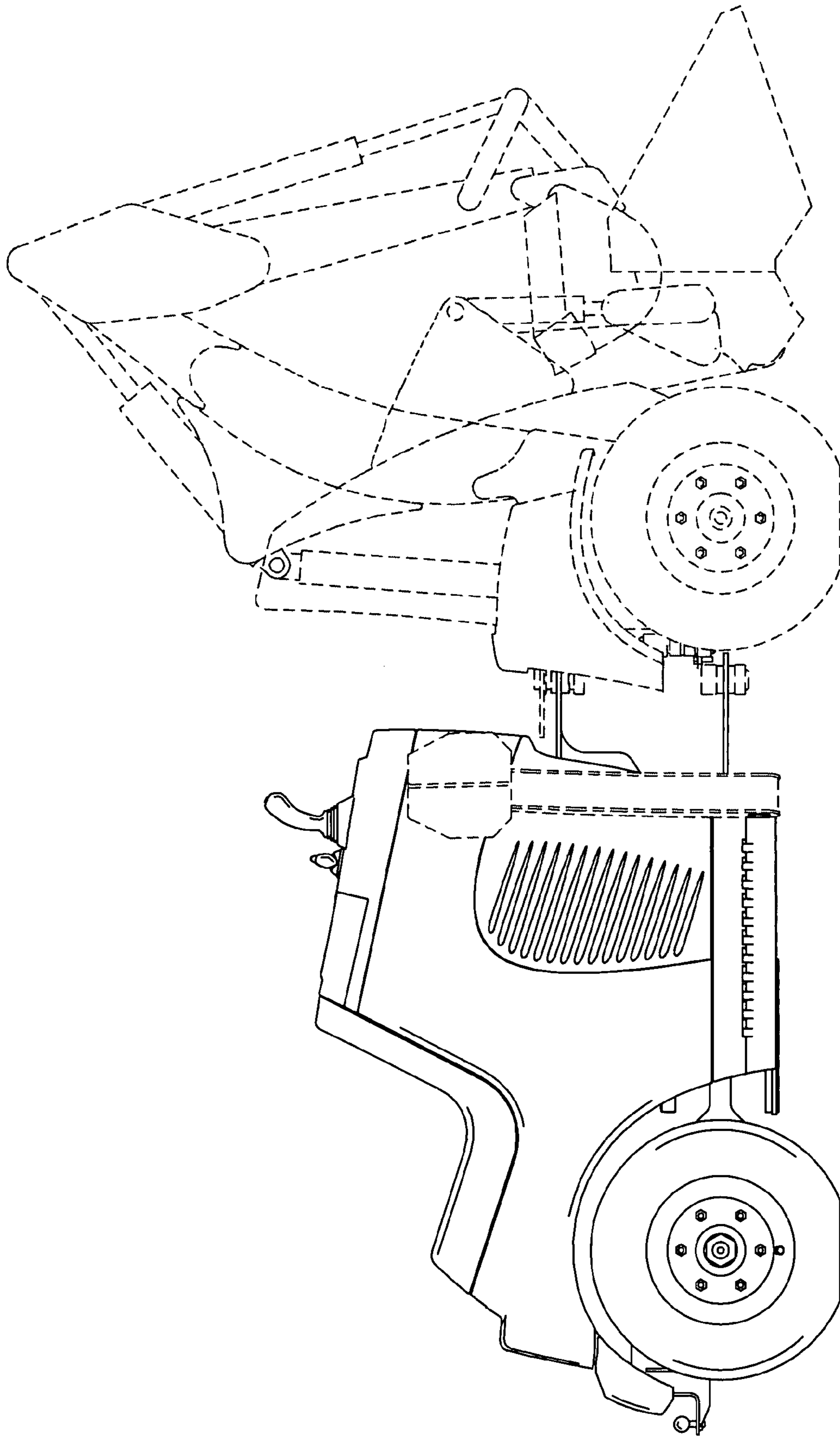


FIG. 4

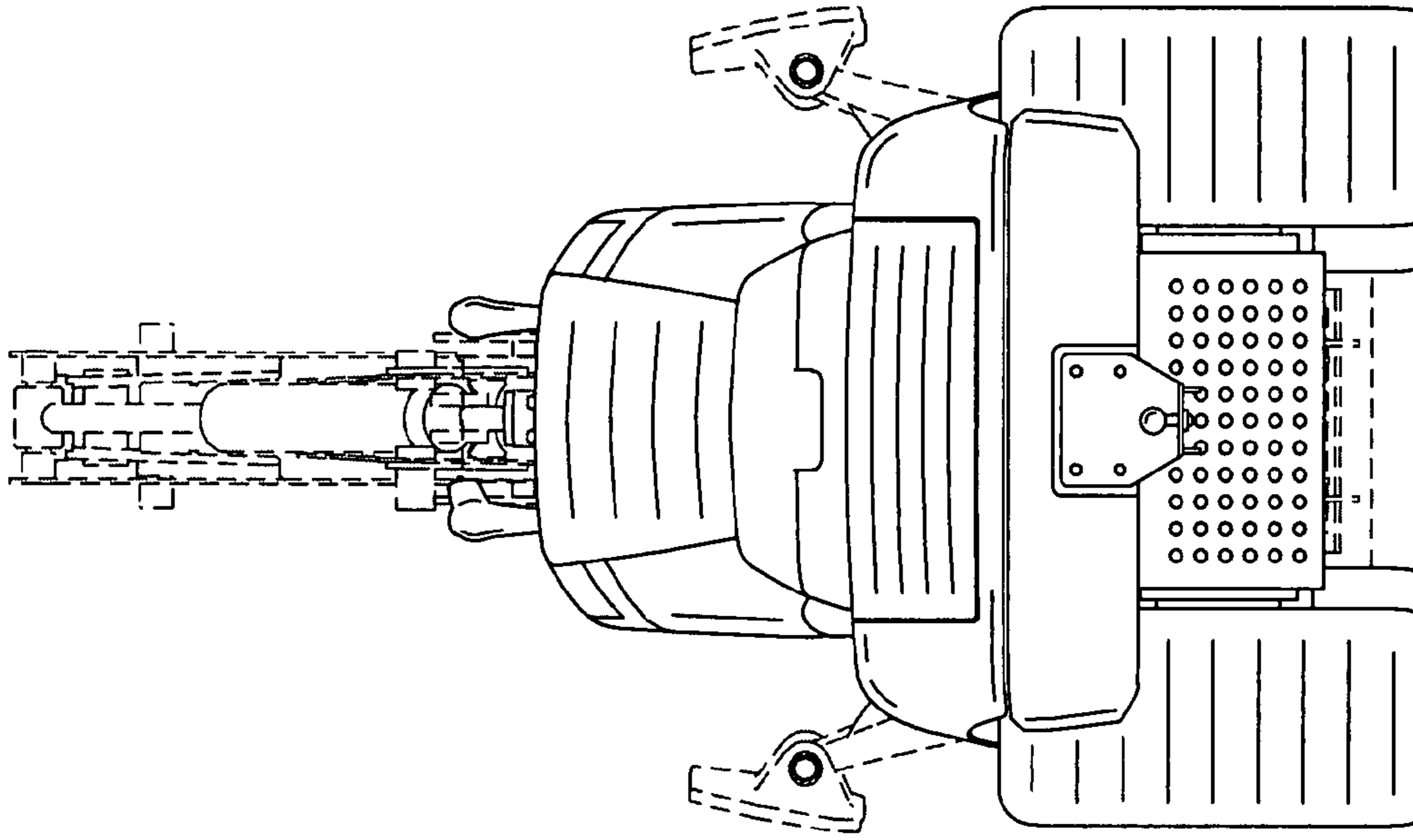


FIG. 6

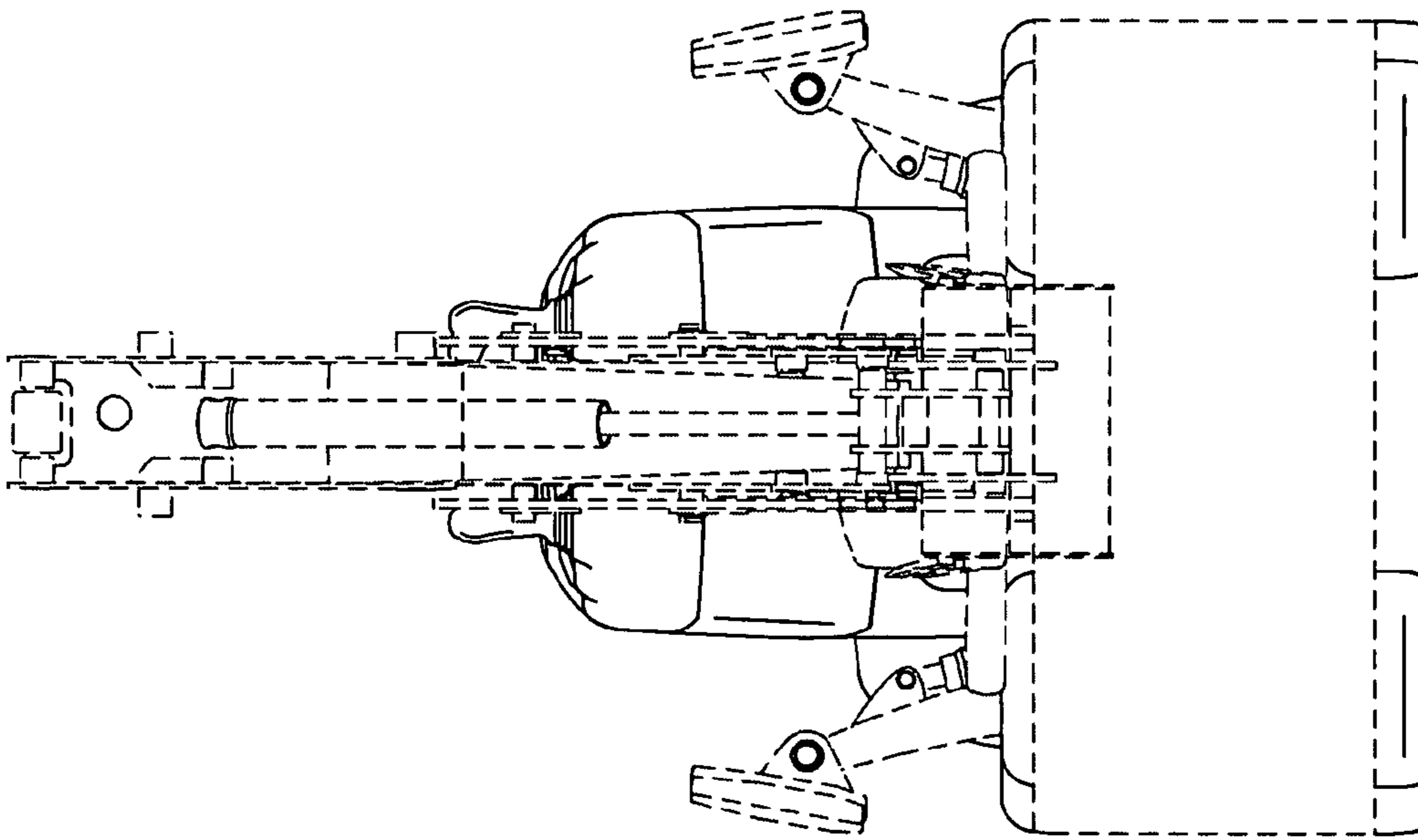


FIG. 5