



US00D555672S

(12) **United States Design Patent** (10) **Patent No.:** **US D555,672 S**  
**Watson** (45) **Date of Patent:** **\*\* Nov. 20, 2007**

(54) **PLANETARY MIXER**

(75) Inventor: **Joel W. Watson**, Oconomowoc, WI  
(US)

(73) Assignee: **Mixer Systems, Inc.**, Pewaukee, WI  
(US)

(\*\*) Term: **14 Years**

(21) Appl. No.: **29/268,788**

(22) Filed: **Nov. 13, 2006**

(51) **LOC (8) Cl.** ..... **15-03**

(52) **U.S. Cl.** ..... **D15/19**

(58) **Field of Classification Search** ..... D15/10,  
D15/19, 199; D7/376; 366/287-301, 66,  
366/1, 12, 13, 341, 279

See application file for complete search history.

(56) **References Cited**

**U.S. PATENT DOCUMENTS**

D104,062	S	*	4/1937	Faber	.....	D15/19
D122,379	S	*	9/1940	Ball	.....	D15/19
3,218,045	A	*	11/1965	Cox	.....	366/39
3,348,819	A	*	10/1967	McIlvaine	.....	366/13
D219,171	S	*	11/1970	Soldner	.....	D15/19
3,779,520	A	*	12/1973	Edwards	.....	366/13
4,107,789	A	*	8/1978	McDowell	.....	366/3
4,302,110	A	*	11/1981	Niemi	.....	366/41
4,435,081	A	*	3/1984	Del Fabbro	.....	366/18
4,453,831	A	*	6/1984	Mahon	.....	366/65
4,725,216	A	*	2/1988	Foster	.....	425/200
D322,972	S	*	1/1992	St. Ama	.....	D15/19
D322,973	S	*	1/1992	St. Ama	.....	D15/19
D327,485	S	*	6/1992	St. Ama	.....	D15/19
D354,289	S	*	1/1995	Fortenberry et al.	.....	D15/19

5,380,085	A	*	1/1995	Milek	.....	366/44
5,429,434	A	*	7/1995	Milek	.....	366/57
D363,941	S	*	11/1995	Johnstrud et al.	.....	D15/19
5,839,824	A	*	11/1998	Backman et al.	.....	366/59
2002/0001255	A1	*	1/2002	Flood et al.	.....	366/8
2003/0002384	A1	*	1/2003	Flood	.....	366/7
2005/0219939	A1	*	10/2005	Christenson et al.	.....	366/8
2005/0219941	A1	*	10/2005	Christenson et al.	.....	366/18

\* cited by examiner

*Primary Examiner*—Mitchell Siegel

*Assistant Examiner*—Mark Goodwin

(74) *Attorney, Agent, or Firm*—Andrus, Scales, Starke & Sawall, LLP

(57) **CLAIM**

The ornamental design for a planetary mixer, as shown and described.

**DESCRIPTION**

FIG. 1 is a top perspective view of a planetary mixer showing my new ornamental design;

FIG. 2 is a top plan view thereof;

FIG. 3 is a right side view of FIG. 2 thereof;

FIG. 4 is a left side view thereof;

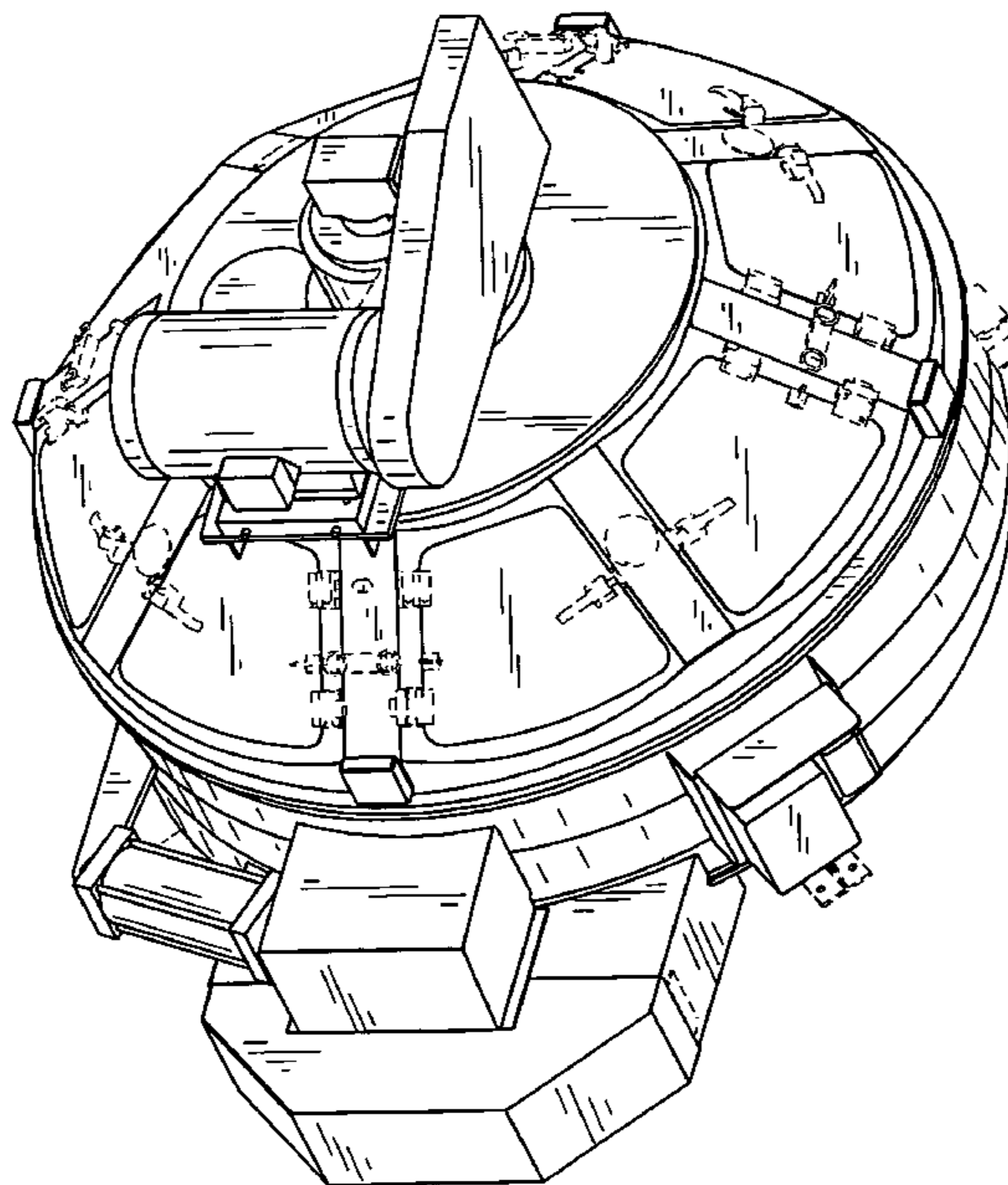
FIG. 5 is a rear view thereof;

FIG. 6 is a front view thereof; and,

FIG. 7 is a bottom plan view thereof.

The broken line showing in FIGS. 1-7 is included for the purpose of illustrating environmental structure and forms no part of the claimed design.

**1 Claim, 7 Drawing Sheets**



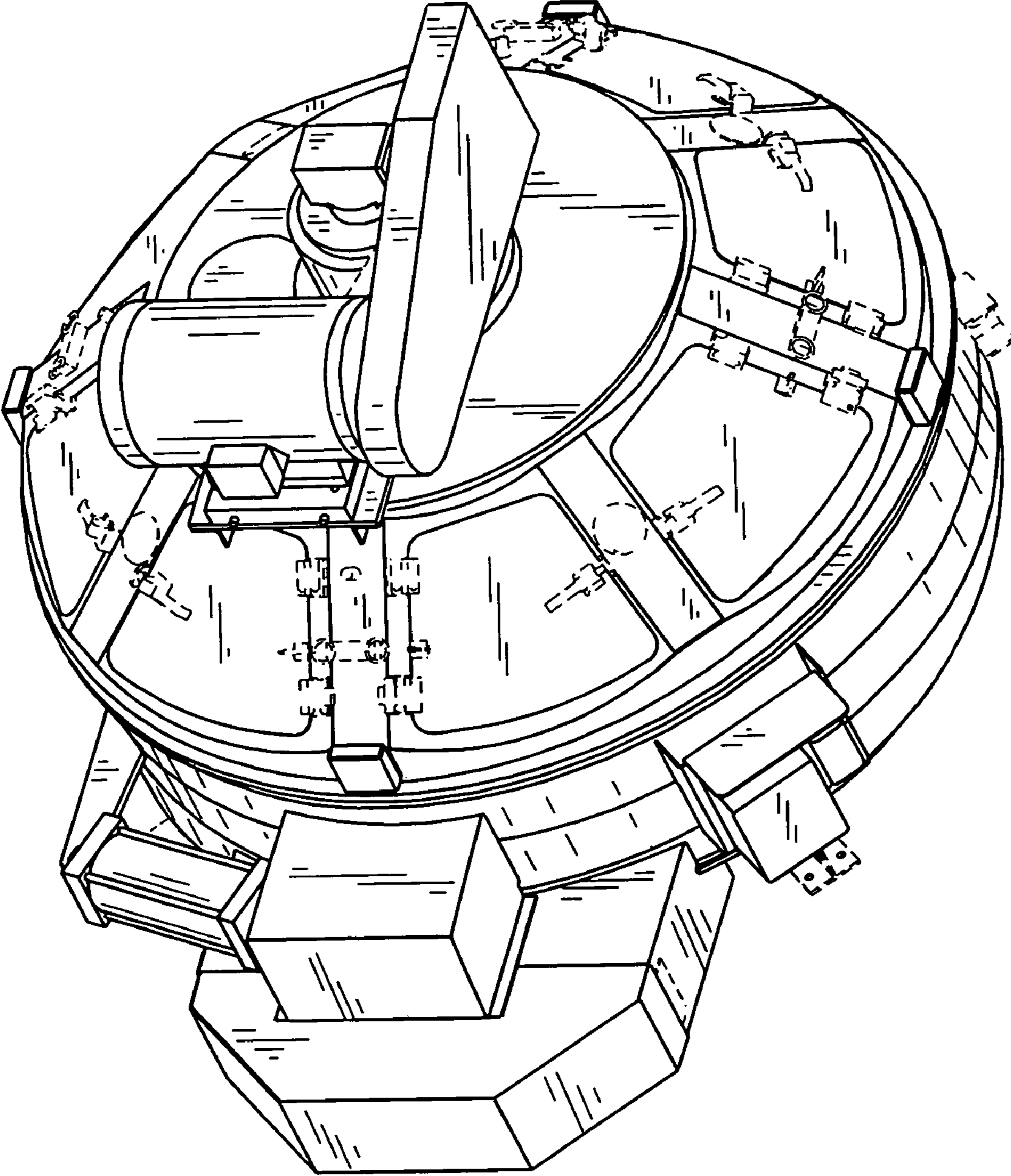


FIG. 1

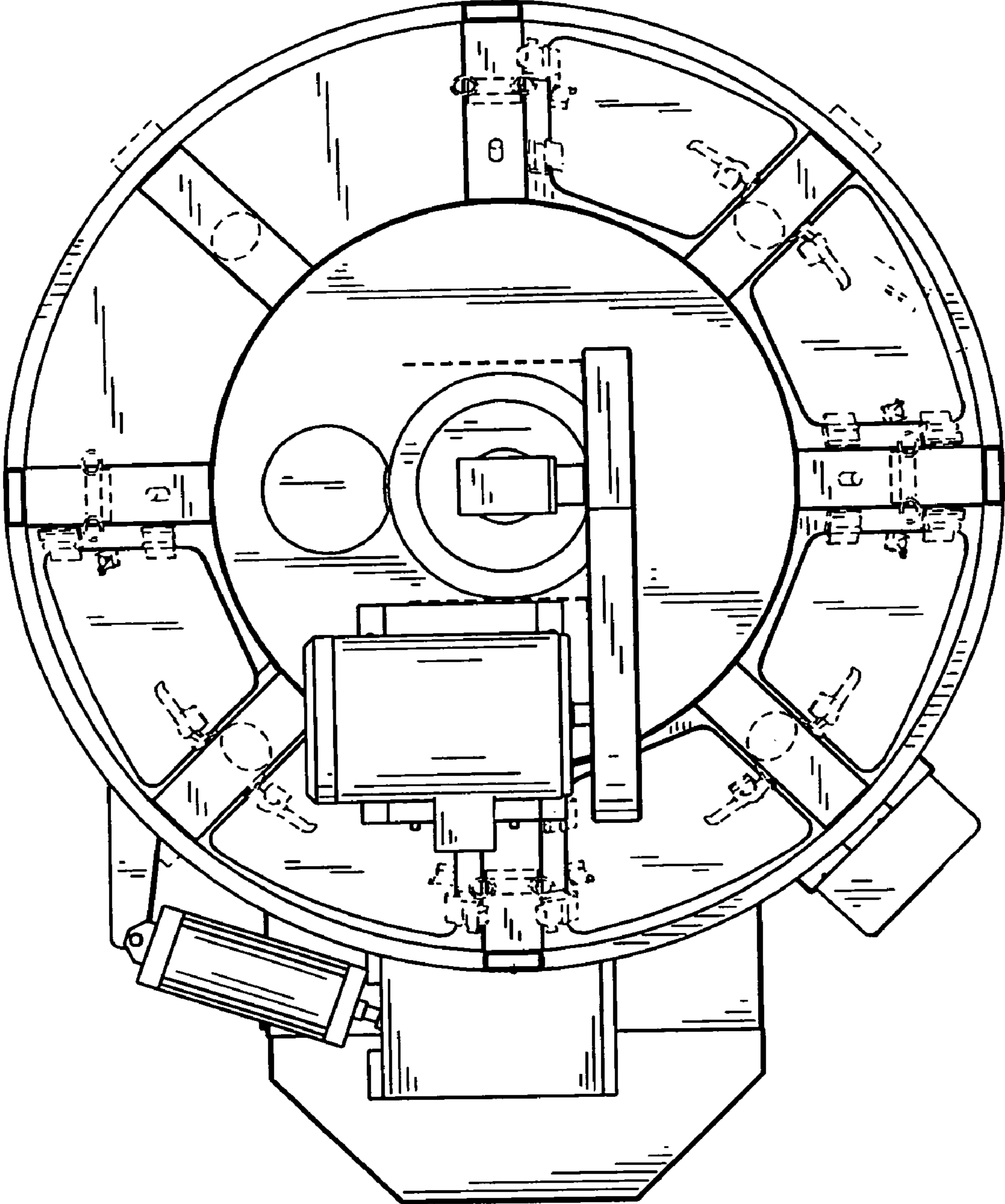


FIG. 2

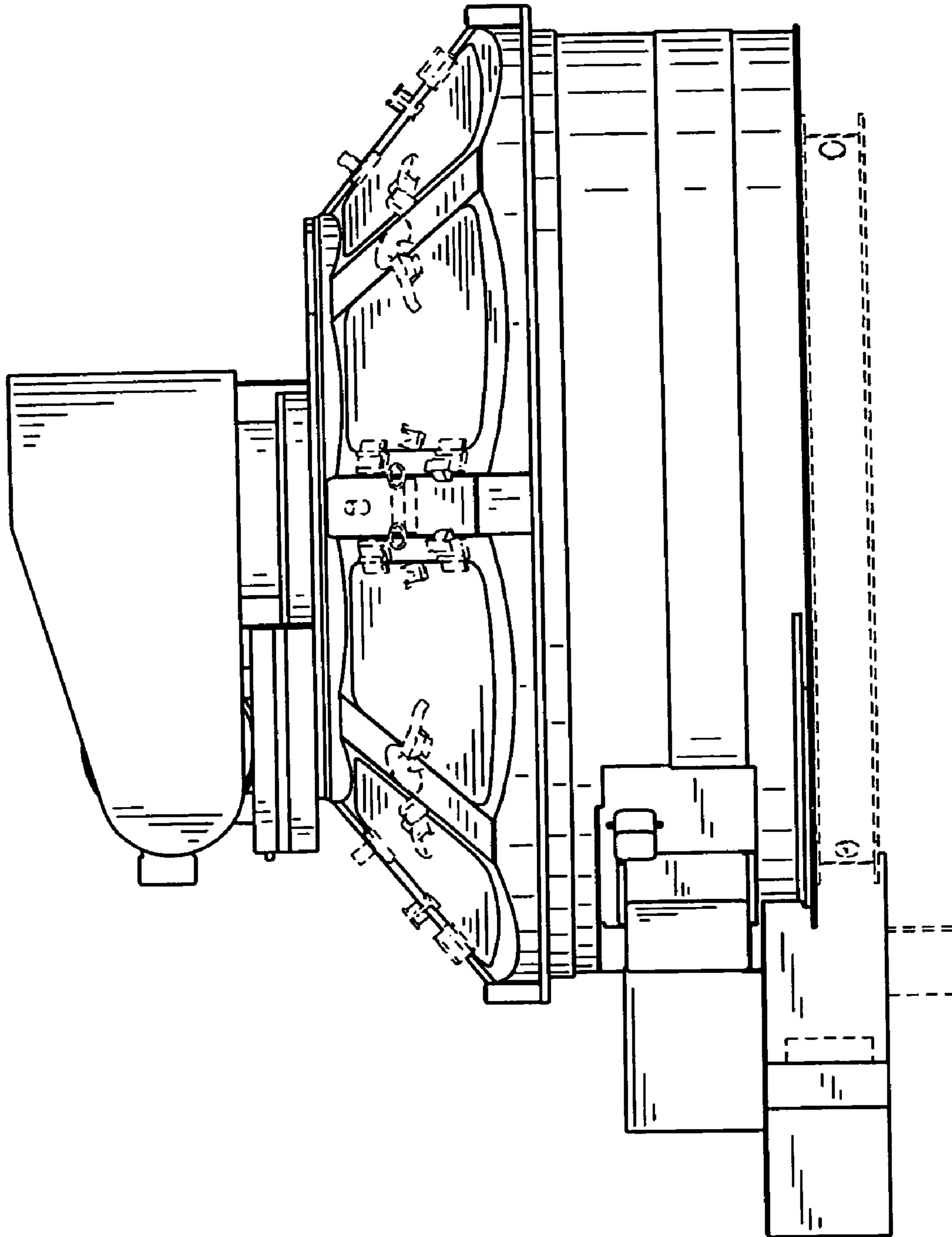


FIG. 3

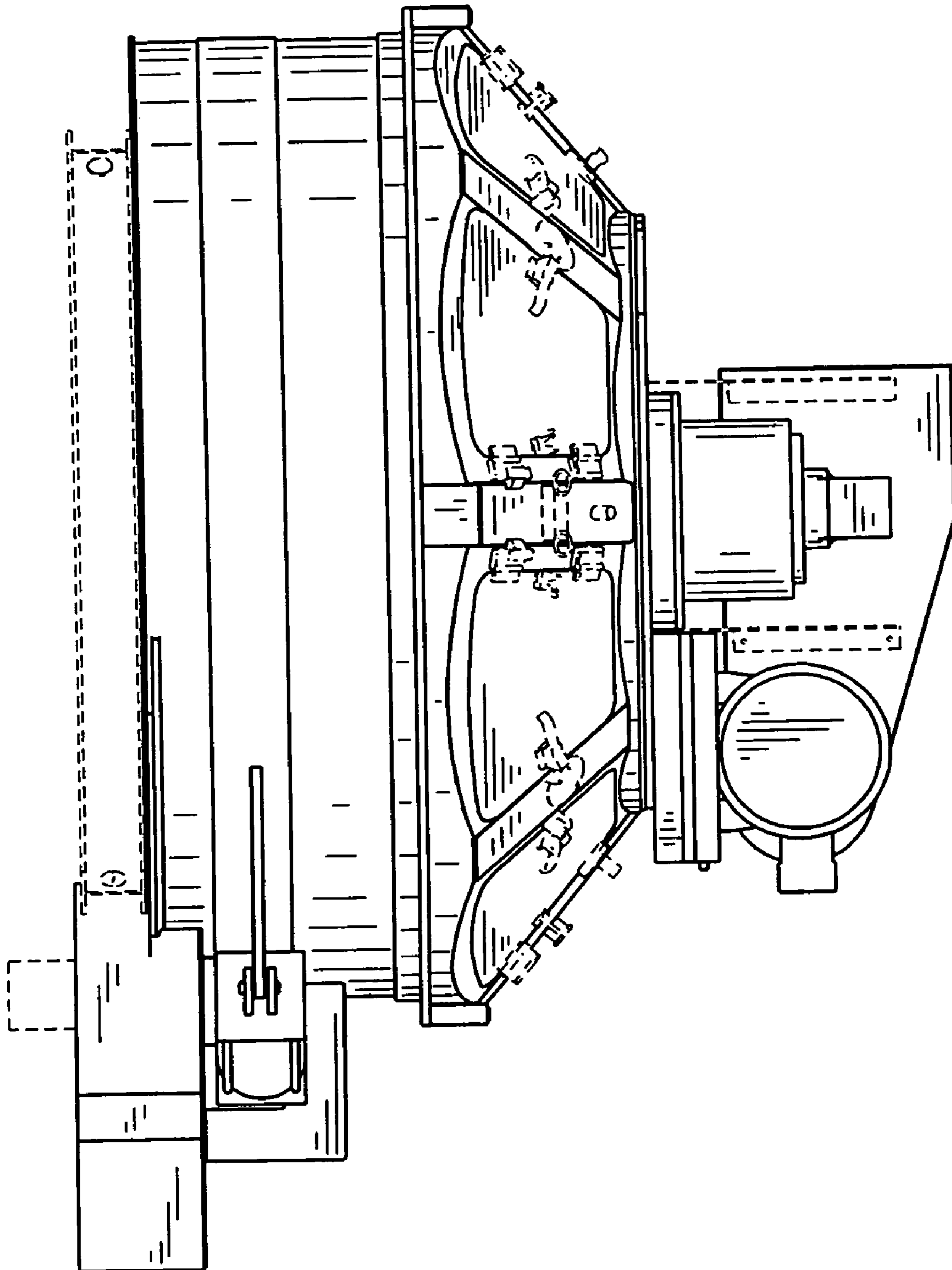


FIG. 4

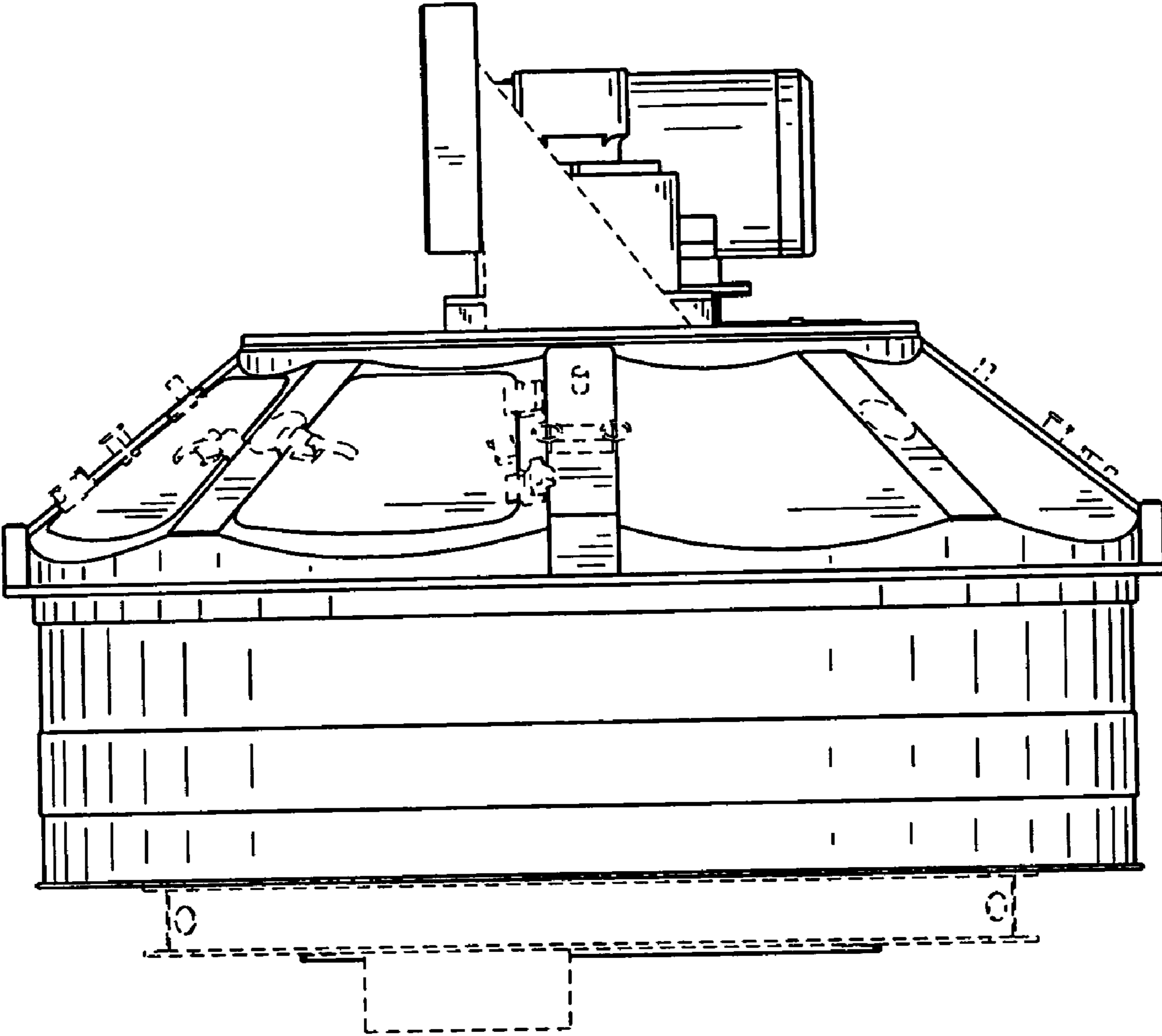


FIG. 5

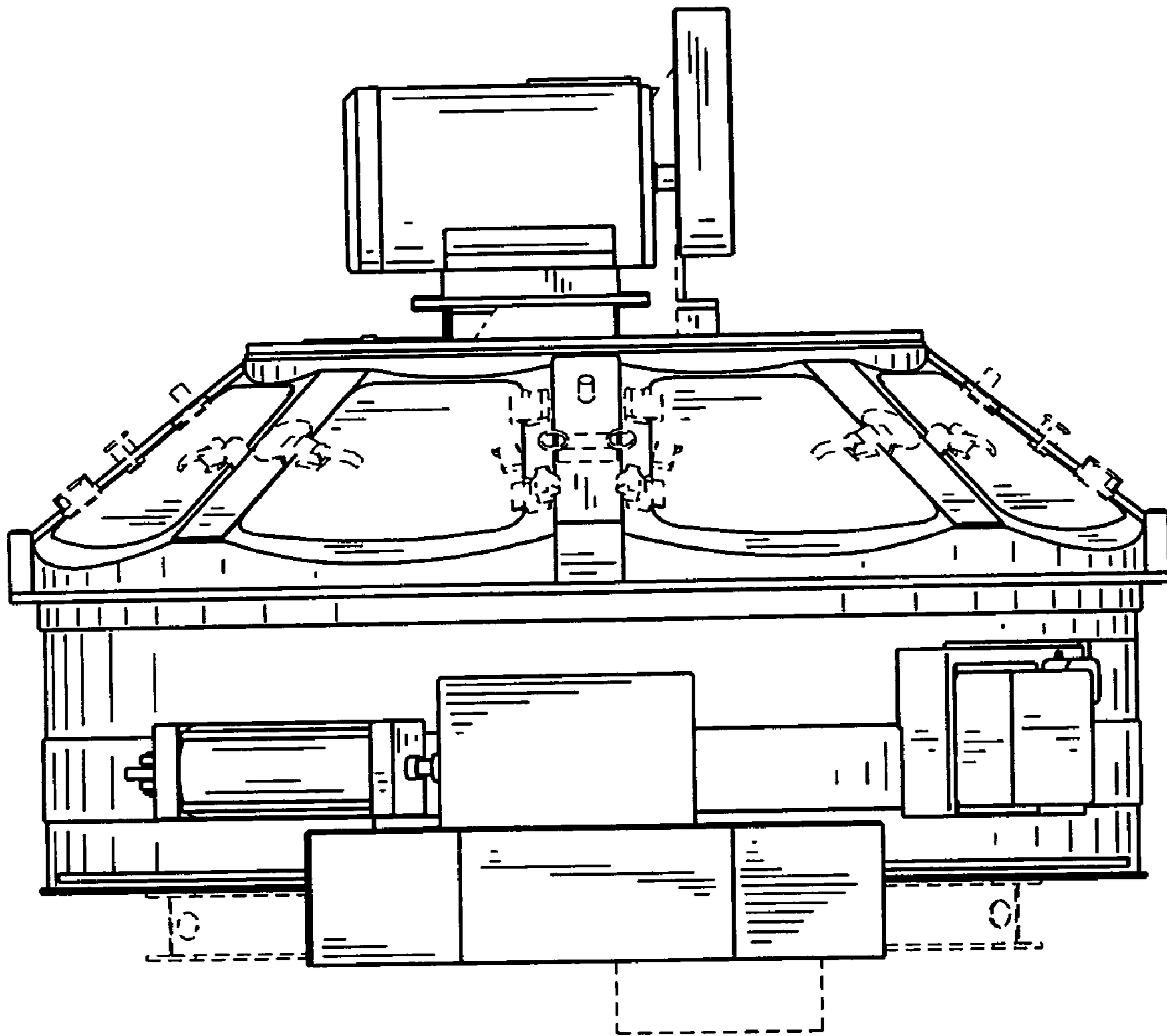


FIG. 6

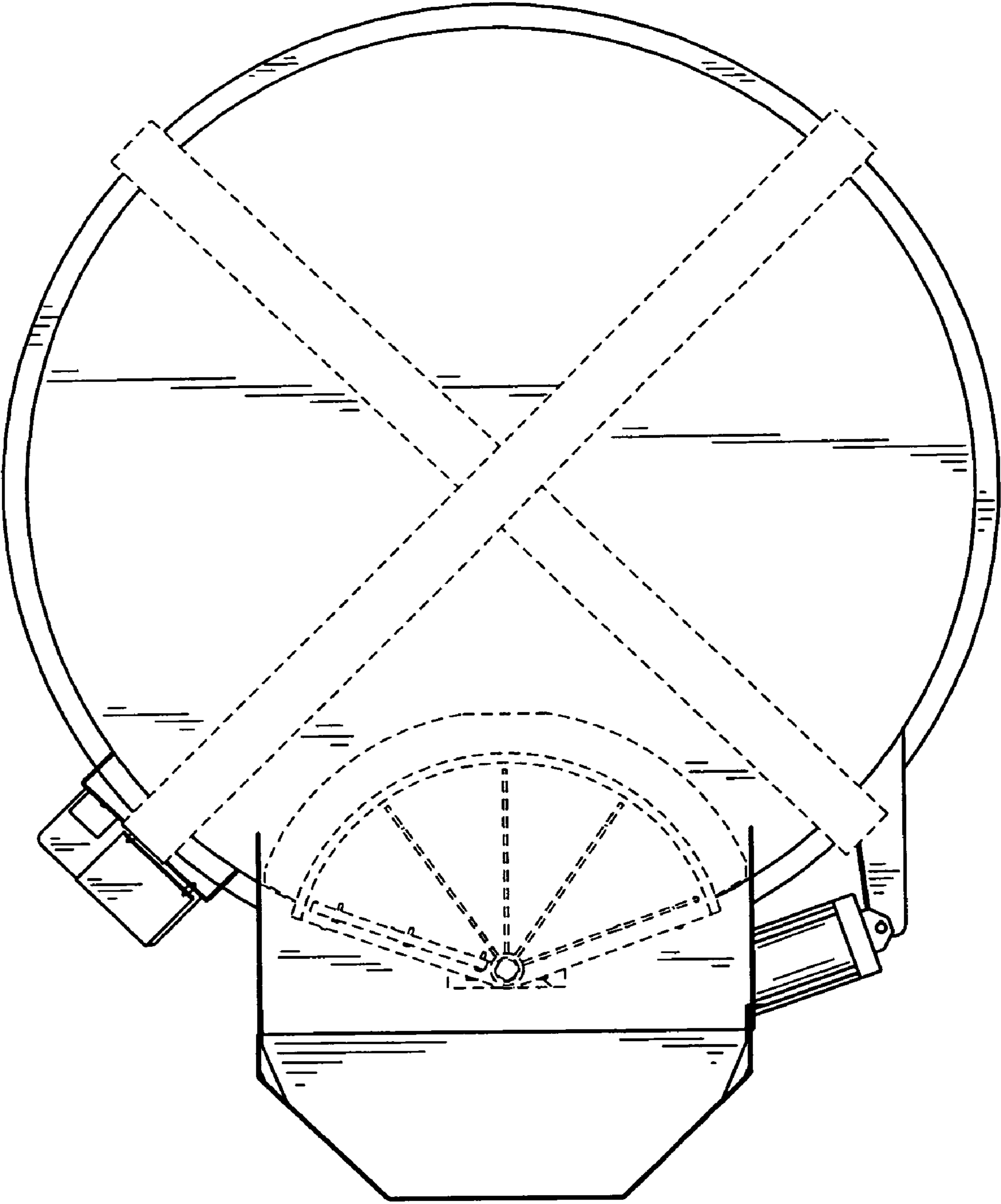


FIG. 7