



US00D555671S

(12) **United States Design Patent**
Bretzler

(10) **Patent No.:** **US D555,671 S**

(45) **Date of Patent:** **** Nov. 20, 2007**

(54) **STRAW CHOPPER**

(76) Inventor: **Ludwig Bretzler**, R. R. #2, Ceysler,
Ontario (CA) K0A 1R0

(**) Term: **14 Years**

(21) Appl. No.: **29/255,128**

(22) Filed: **May 8, 2006**

(51) **LOC (8) Cl.** **15-03**

(52) **U.S. Cl.** **D15/13; D15/10**

(58) **Field of Classification Search** D15/10,
D15/13, 21-26, 127; 460/13, 42, 8, 73, 85,
460/68, 111, 112, 150, 901; 56/16.6, DIG. 5;
239/650, 668, 680; 241/101.71, 101.74

See application file for complete search history.

(56) **References Cited**

U.S. PATENT DOCUMENTS

3,186,460	A *	6/1965	Frederick	239/650
3,216,615	A *	11/1965	Biehl	222/25
D207,107	S *	3/1967	Bulin	D15/26
D211,959	S *	8/1968	Brace et al.	D15/26
D211,982	S *	8/1968	Reed	D12/1
D230,867	S *	3/1974	Elliot	D15/22
4,218,022	A *	8/1980	Boehm et al.	241/101.75
4,292,795	A *	10/1981	Linn	56/503
4,396,330	A *	8/1983	Rozeboom	414/24.5
4,489,733	A *	12/1984	Underwood	460/68
4,526,180	A *	7/1985	Scott et al.	460/112

4,892,504	A *	1/1990	Scott et al.	460/112
D308,526	S *	6/1990	Stalder et al.	D15/10
5,231,828	A *	8/1993	Swearingen et al.	56/341
D366,266	S *	1/1996	Blair et al.	D15/27
D367,071	S *	2/1996	McKay	D15/27
5,501,403	A *	3/1996	van Vooren	239/662
5,501,404	A *	3/1996	Meyer et al.	239/676
5,850,975	A *	12/1998	Bauer	239/657
6,027,052	A *	2/2000	Strieker et al.	239/654
6,378,793	B1 *	4/2002	Lantz	239/672
6,604,995	B2 *	8/2003	Dillon et al.	460/111

* cited by examiner

Primary Examiner—Stella Reid

Assistant Examiner—Mark Goodwin

(57) **CLAIM**

The ornamental design for a straw chopper, as shown and described.

DESCRIPTION

FIG. 1 is a perspective view of a straw chopper showing my new design;

FIG. 2 is a front view thereof;

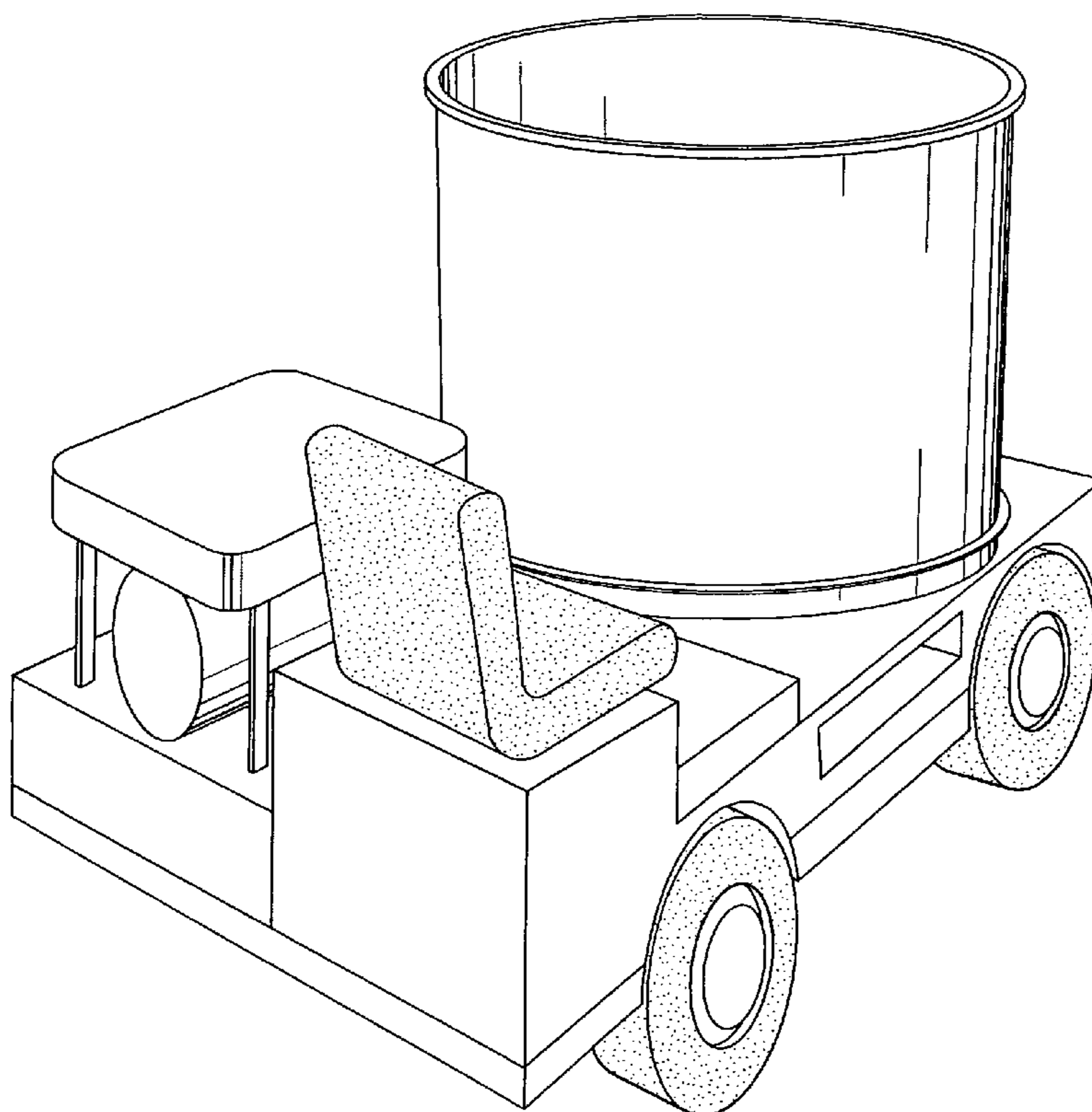
FIG. 3 is a left side view thereof;

FIG. 4 is a top plan view thereof;

FIG. 5 is a rear view thereof; and,

FIG. 6 is a right side view thereof.

1 Claim, 4 Drawing Sheets



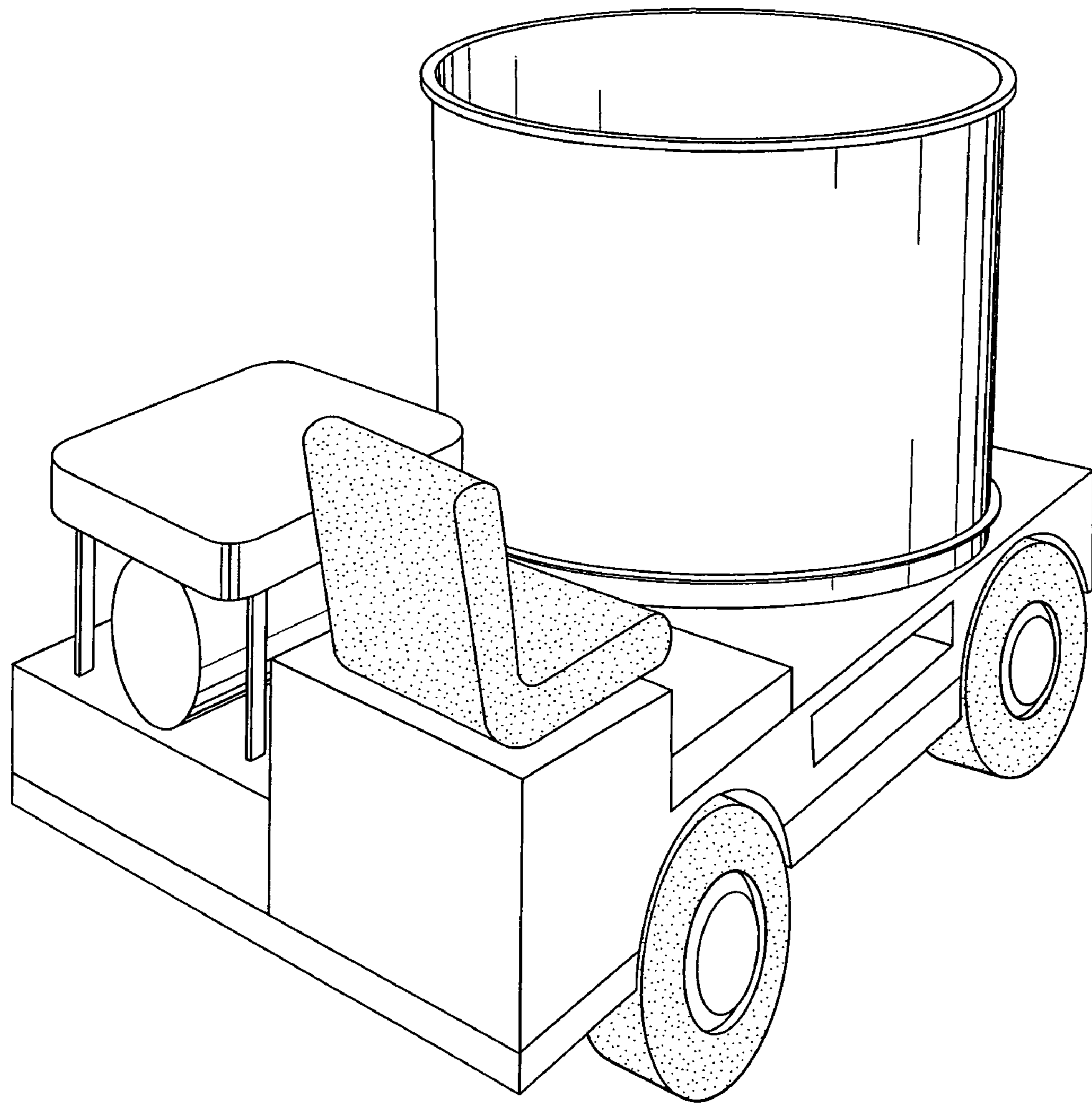


FIG. 1

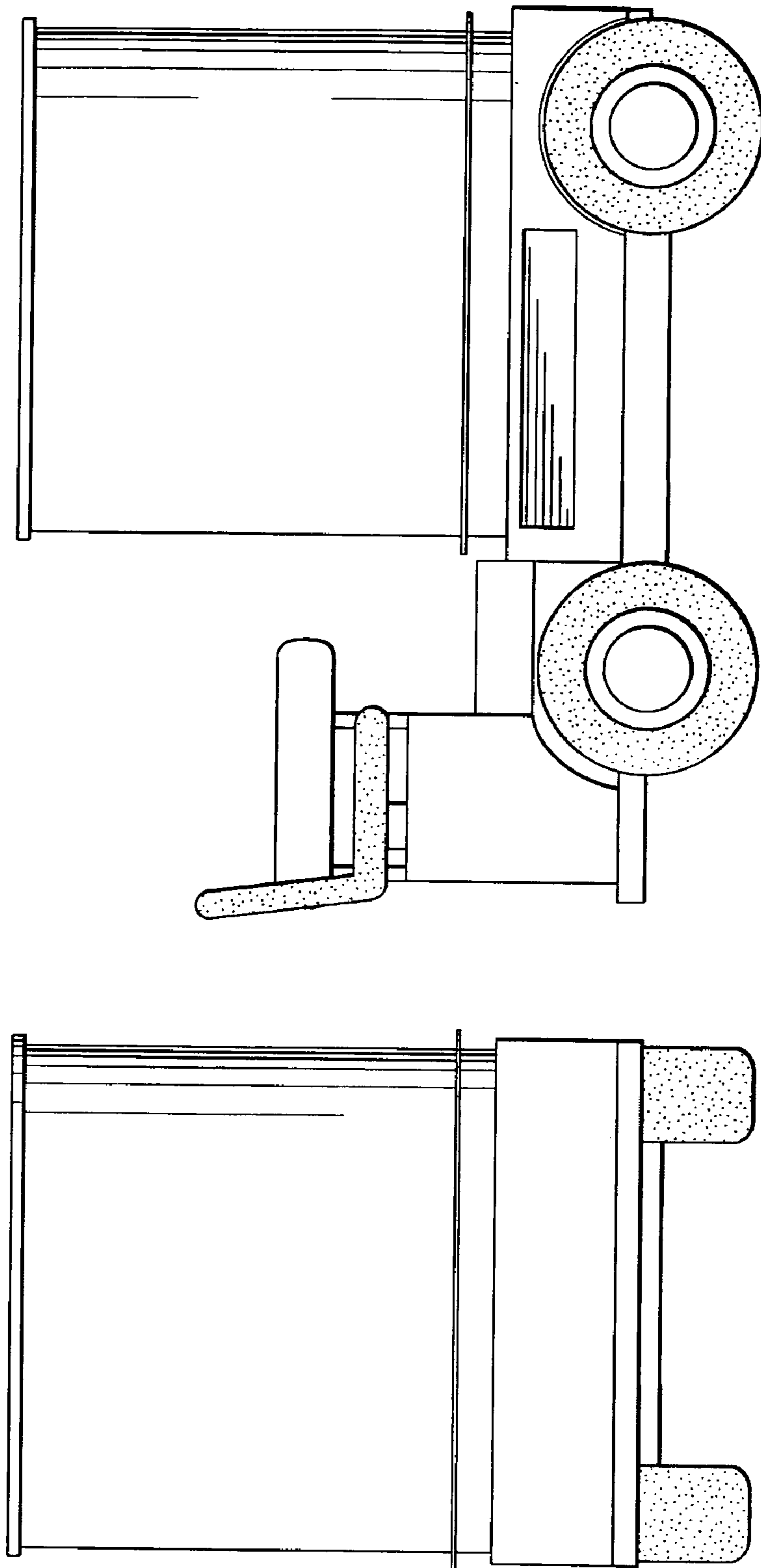


FIG. 2

FIG. 3

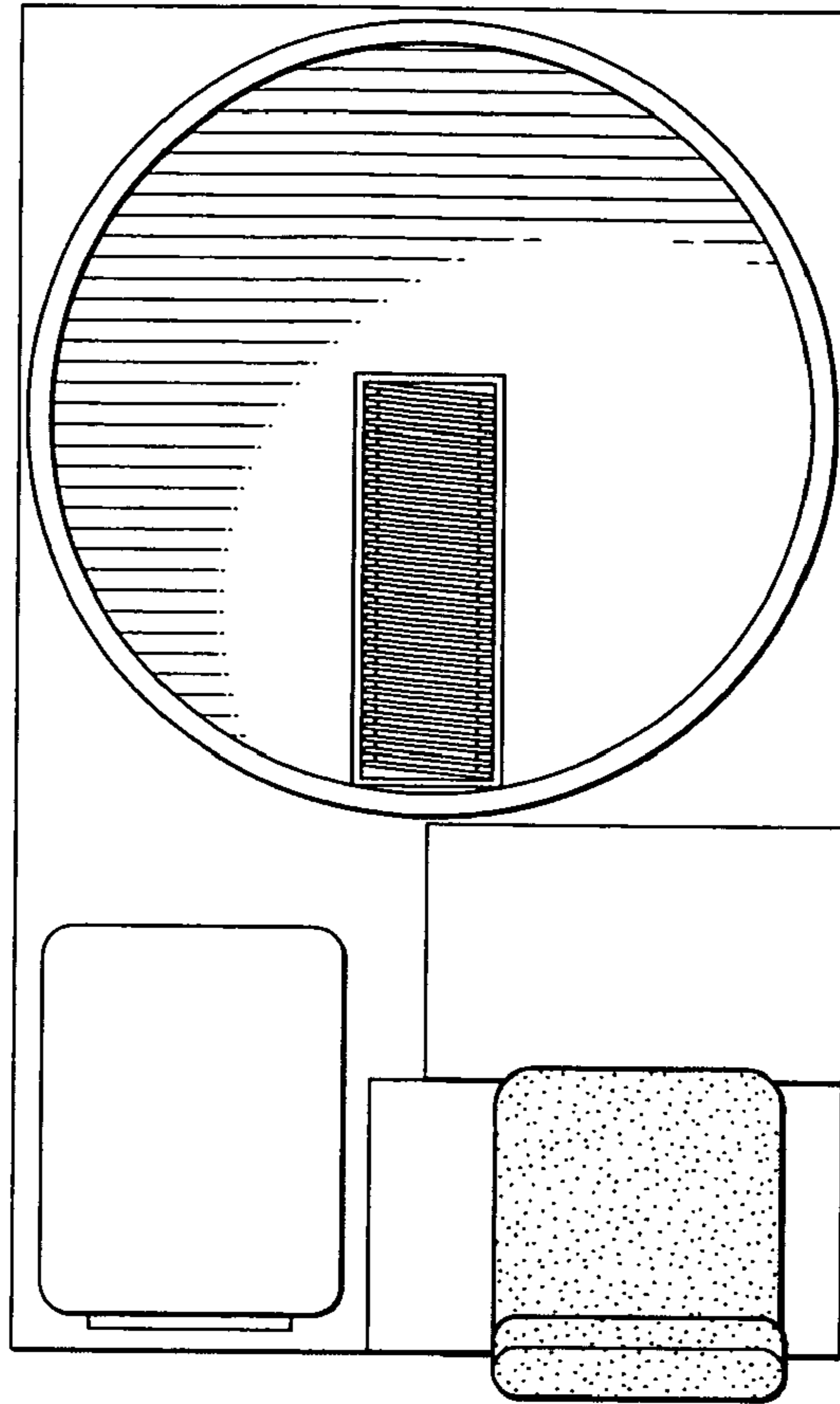


FIG. 4

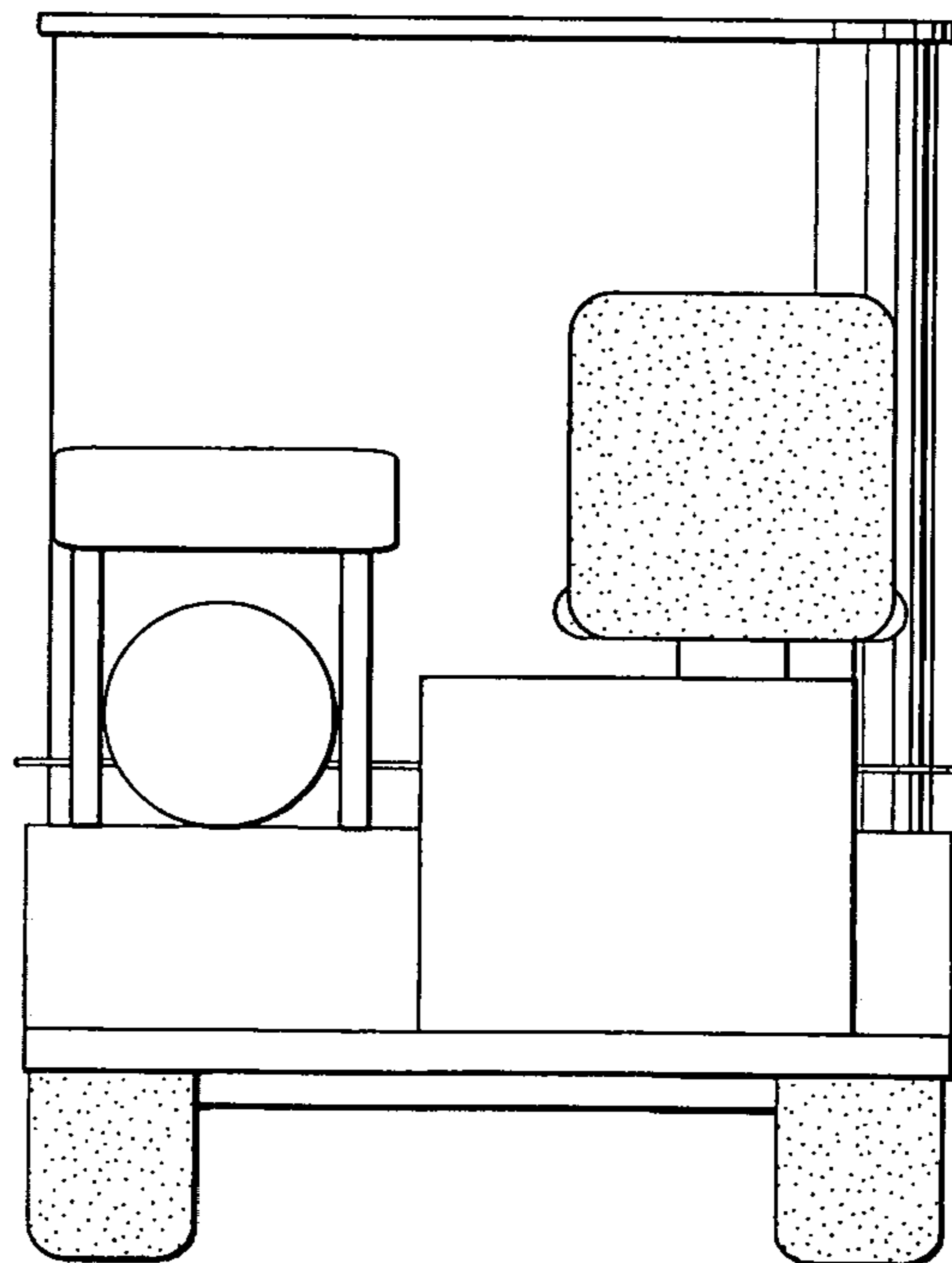


FIG. 5

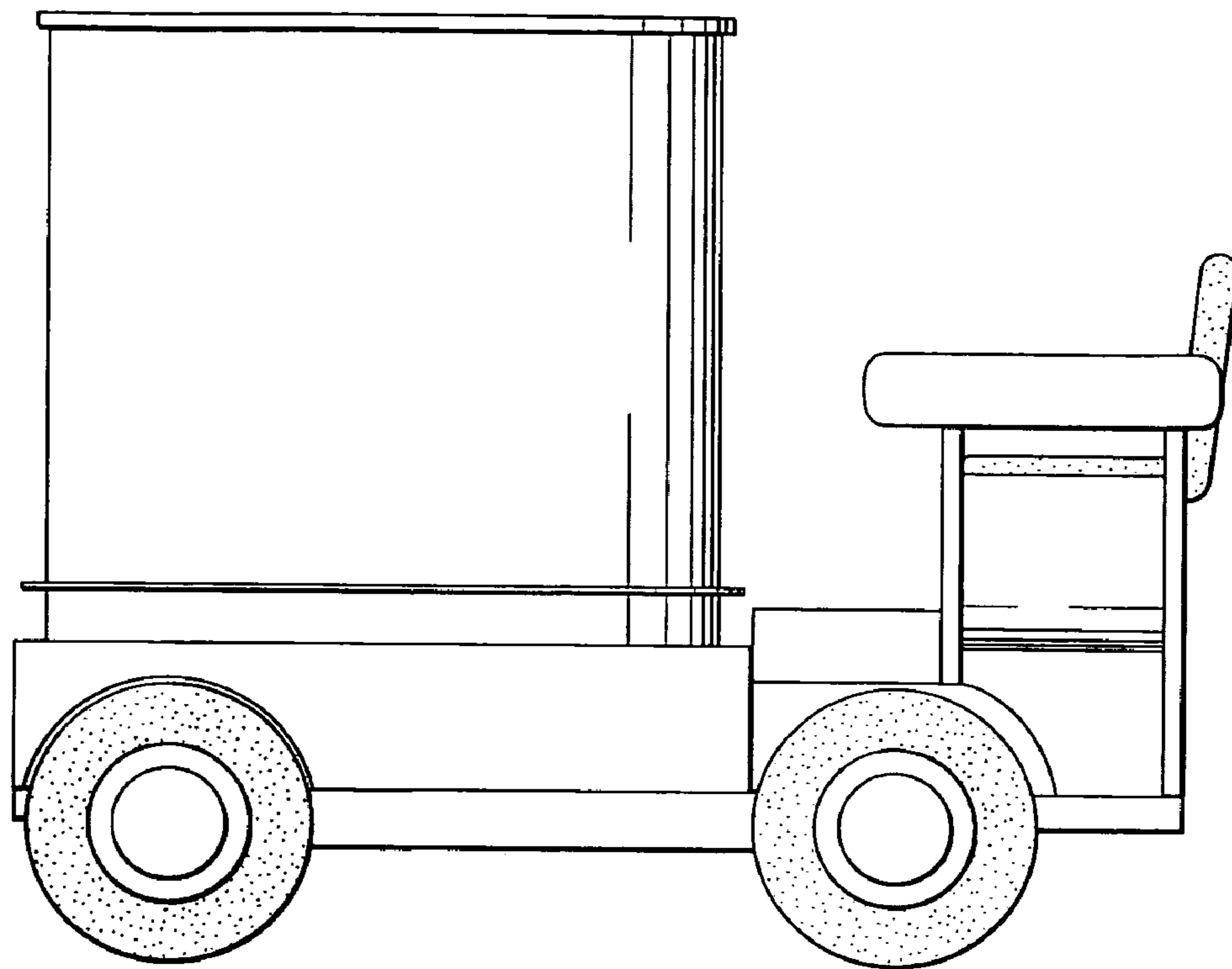


FIG. 6